

US00D869062S

(12) **United States Design Patent**  
**Sonneman**

(10) **Patent No.:** **US D869,062 S**  
(45) **Date of Patent:** **\*\* Dec. 3, 2019**

(54) **LIGHT FIXTURE**

(71) Applicant: **Contemporary Visions, LLC**,  
Larchmont, NY (US)

(72) Inventor: **Robert A. Sonneman**, Mamaroneck,  
NY (US)

(73) Assignee: **Contemporary Visions, LLC**,  
Larchmont, NY (US)

(\*\*) Term: **15 Years**

(21) Appl. No.: **29/672,693**

(22) Filed: **Dec. 7, 2018**

(51) **LOC (12) Cl.** ..... **26-99**

(52) **U.S. Cl.**  
USPC ..... **D26/118**

(58) **Field of Classification Search**  
USPC .... D26/28, 34, 72, 76, 85, 87, 89, 113, 118,  
D26/120  
CPC .... F21S 8/03; F21S 8/031; F21S 8/033; F21S  
8/035; F21S 8/036; F21S 8/037; F21S  
48/20; F21S 48/215; F21S 48/218; F21V  
7/05; F21V 1/12; F21W 2101/04  
See application file for complete search history.

(56) **References Cited**

**U.S. PATENT DOCUMENTS**

D606,232 S \* 12/2009 Sabernig ..... D26/85  
D606,700 S \* 12/2009 Sabernig ..... D26/85  
D626,273 S \* 10/2010 Verelst ..... D26/85

D627,094 S \* 11/2010 Verelst ..... D26/85  
D738,557 S \* 9/2015 Colombo ..... D26/85  
D827,881 S \* 9/2018 Hannula ..... D26/85

\* cited by examiner

*Primary Examiner* — Brian N. Vinson  
(74) *Attorney, Agent, or Firm* — Gottlieb, Rackman &  
Reisman, P.C.

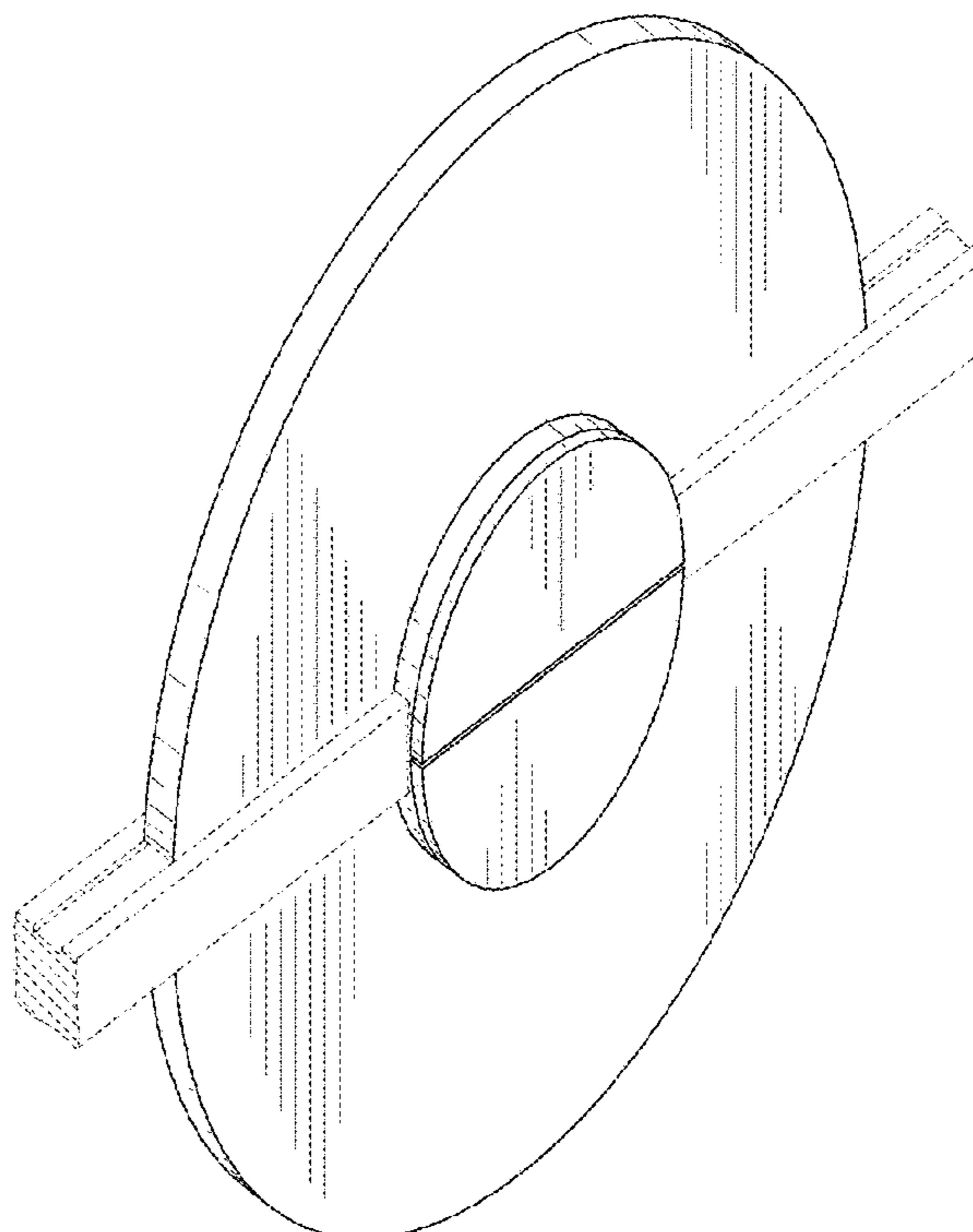
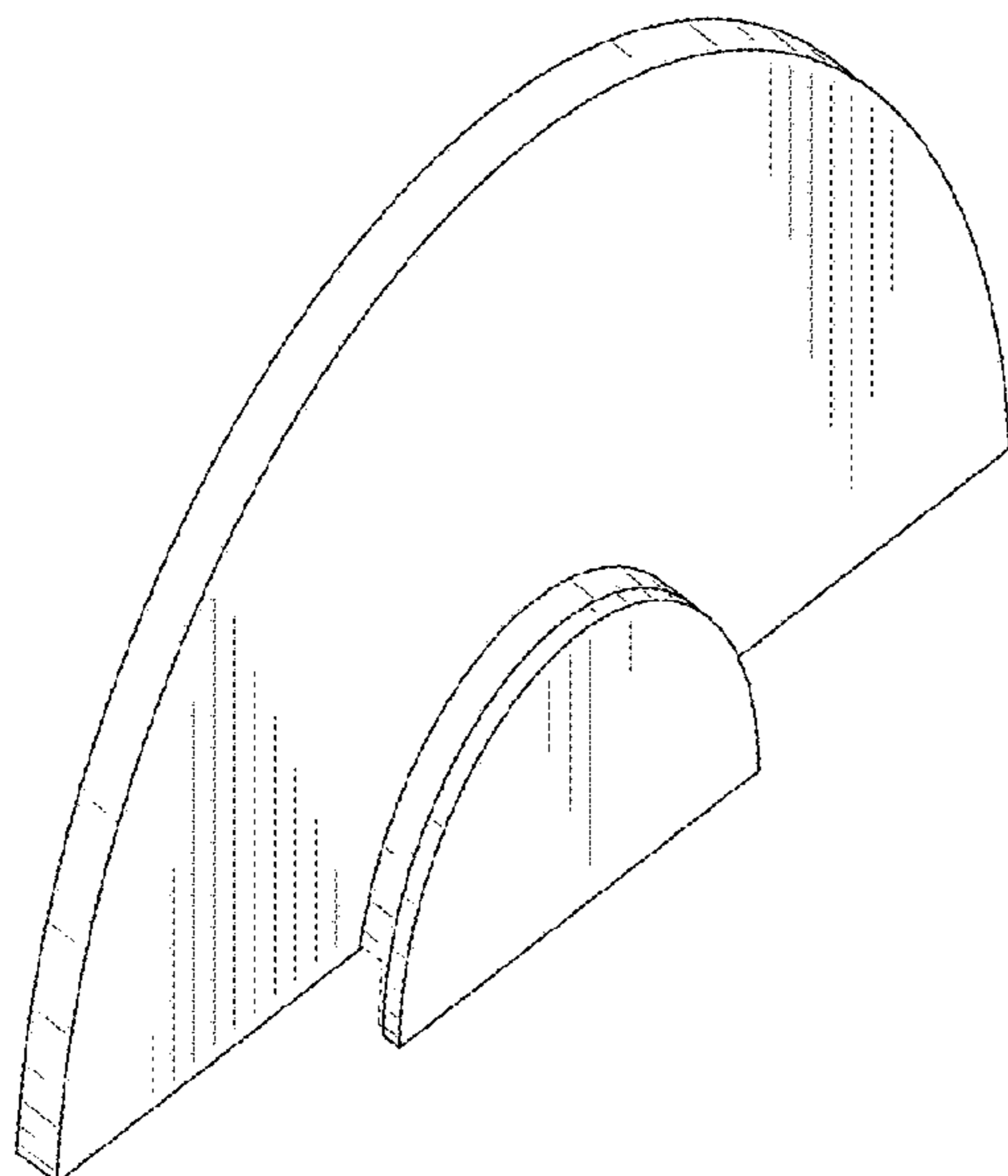
(57) **CLAIM**

The ornamental design for a light fixture, as shown and  
described.

**DESCRIPTION**

FIG. 1 is a perspective view of a first embodiment of light  
fixture showing my new design;  
FIG. 2 is a front elevational view of FIG. 1;  
FIG. 3 is a rear elevational view of FIG. 1;  
FIG. 4 is a right side elevational view of FIG. 1;  
FIG. 5 is a left side elevational view of FIG. 1;  
FIG. 6 is a top plan view of FIG. 1;  
FIG. 7 is a bottom plan view of FIG. 1;  
FIG. 8 is a perspective view of a second embodiment of light  
fixture showing my new design;  
FIG. 9 is a front elevational view of FIG. 8;  
FIG. 10 is a rear elevational view of FIG. 8;  
FIG. 11 is a right side elevational view of FIG. 8;  
FIG. 12 is a left side elevational view of FIG. 8;  
FIG. 13 is a top plan view of FIG. 8; and,  
FIG. 14 is a bottom plan view of FIG. 8.  
The broken lines shown in the drawings are included for the  
purpose of illustrating elements of the light fixture that can  
be mounted a surface and form no part of the claimed design.

**1 Claim, 10 Drawing Sheets**



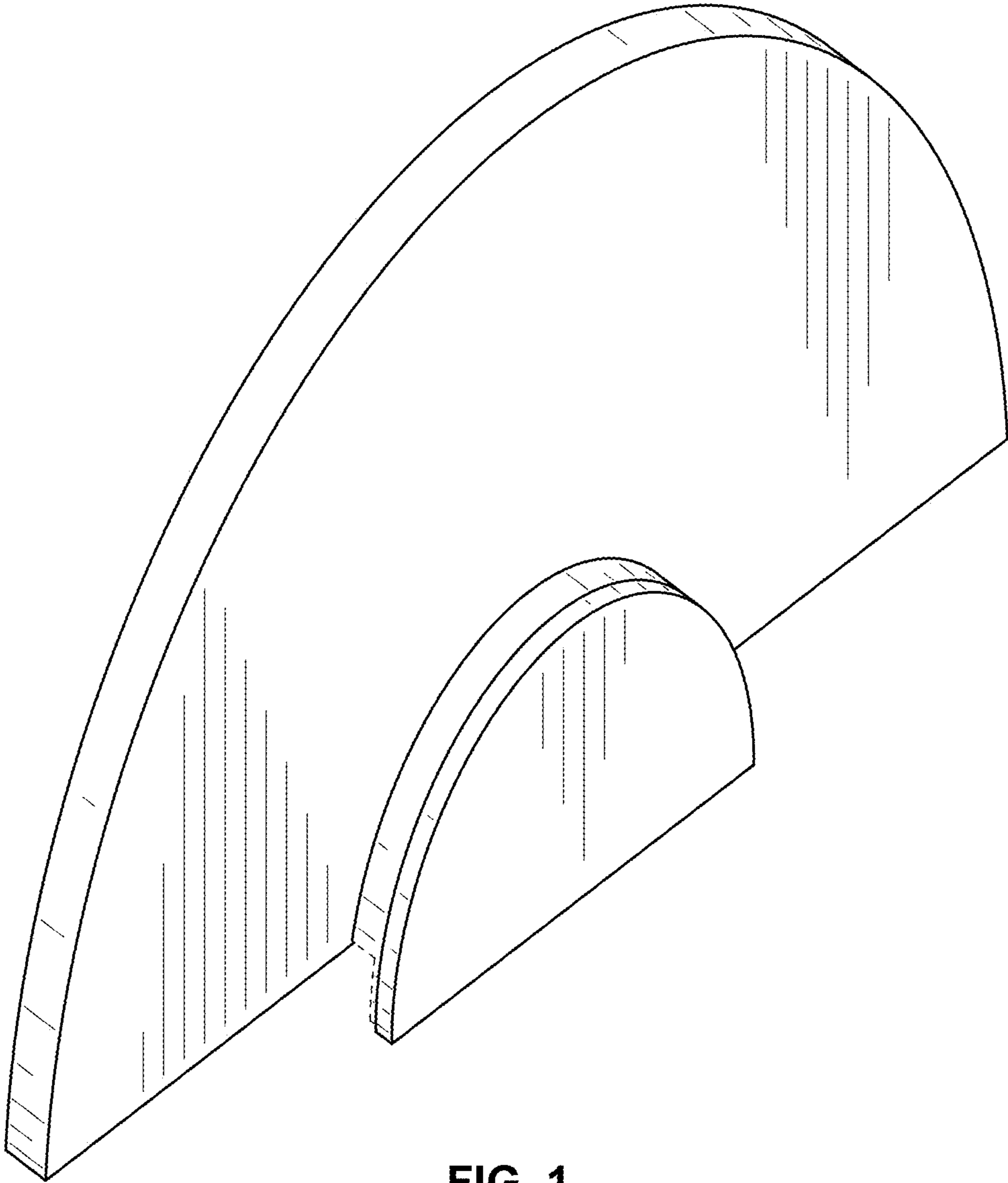


FIG. 1

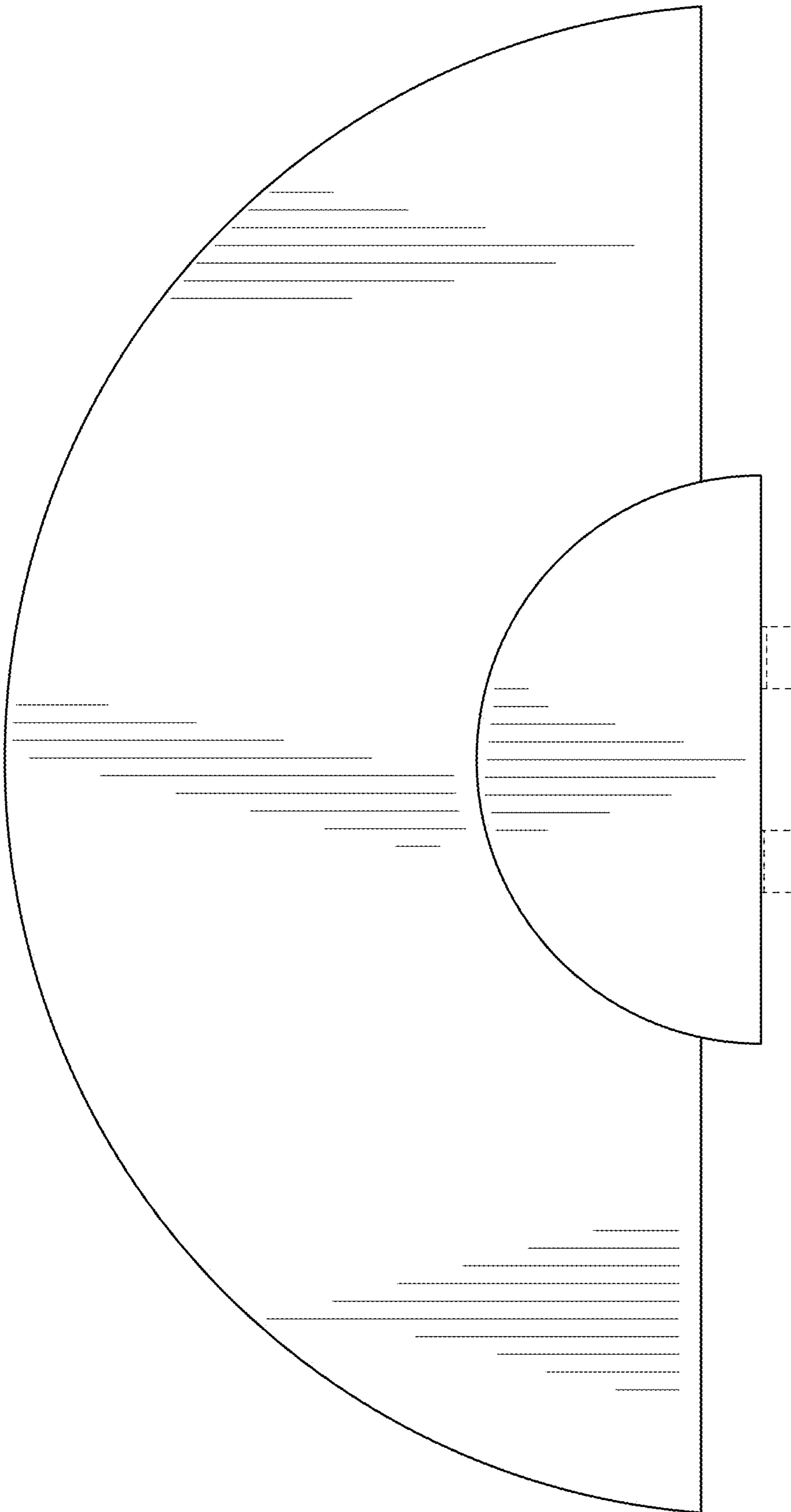


FIG. 2

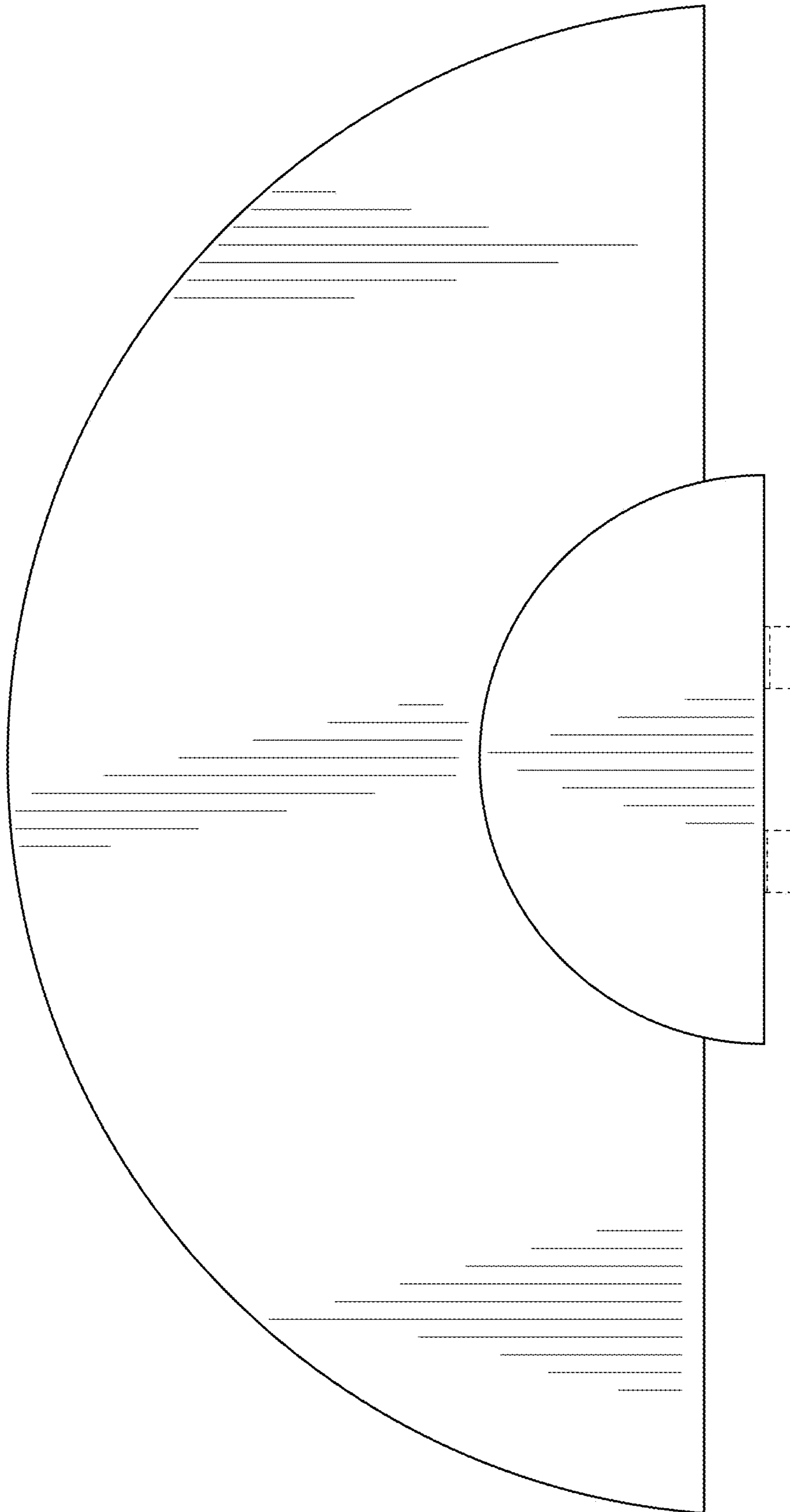


FIG. 3

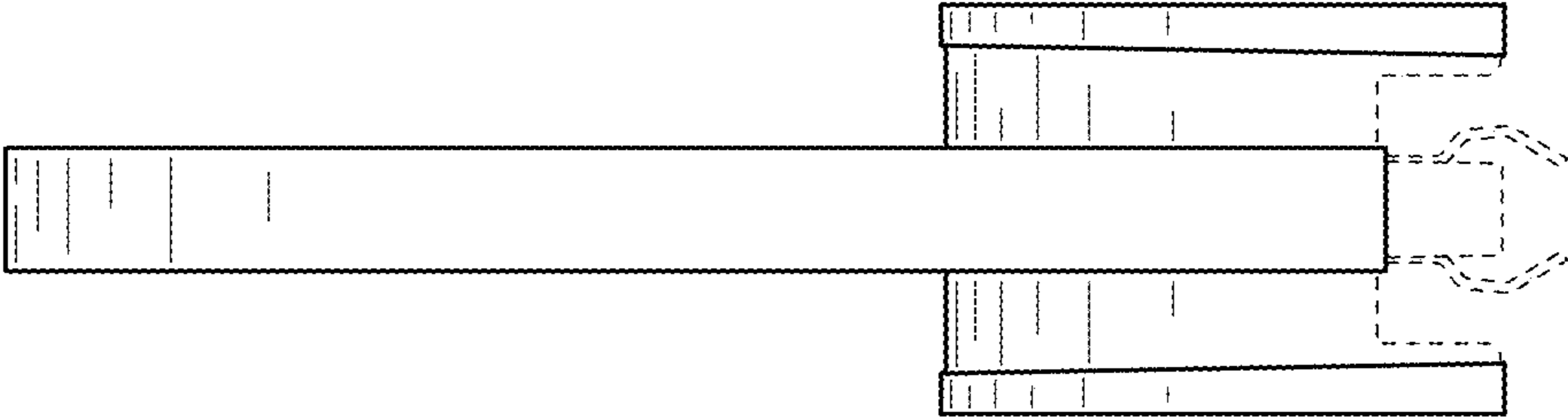


FIG. 5

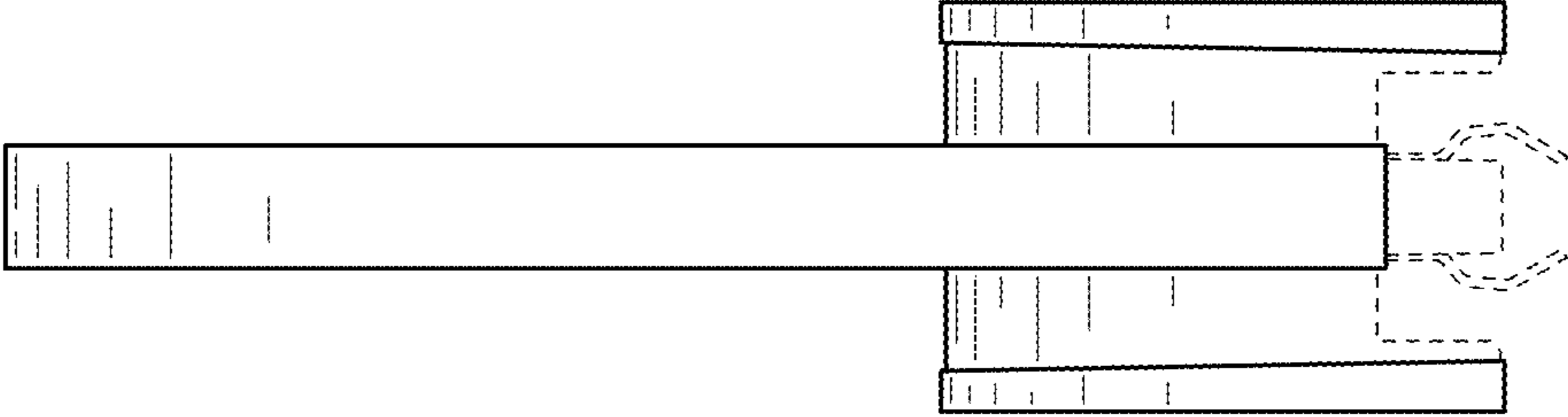


FIG. 4

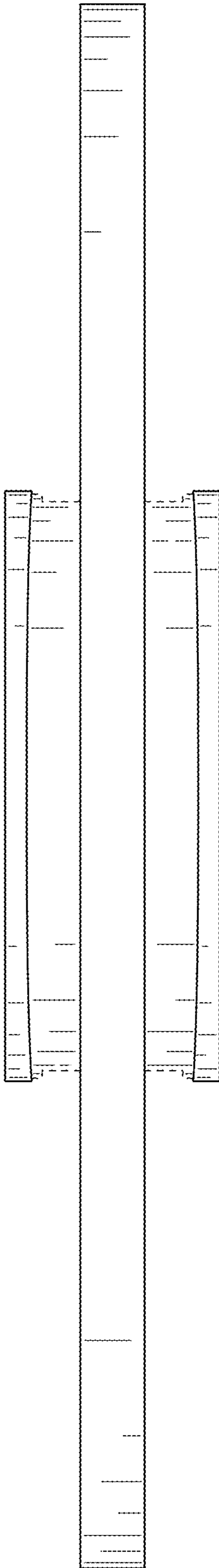


FIG. 6

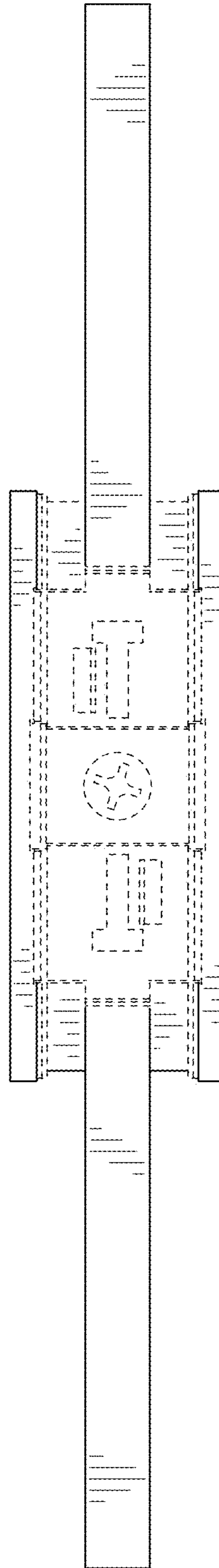


FIG. 7

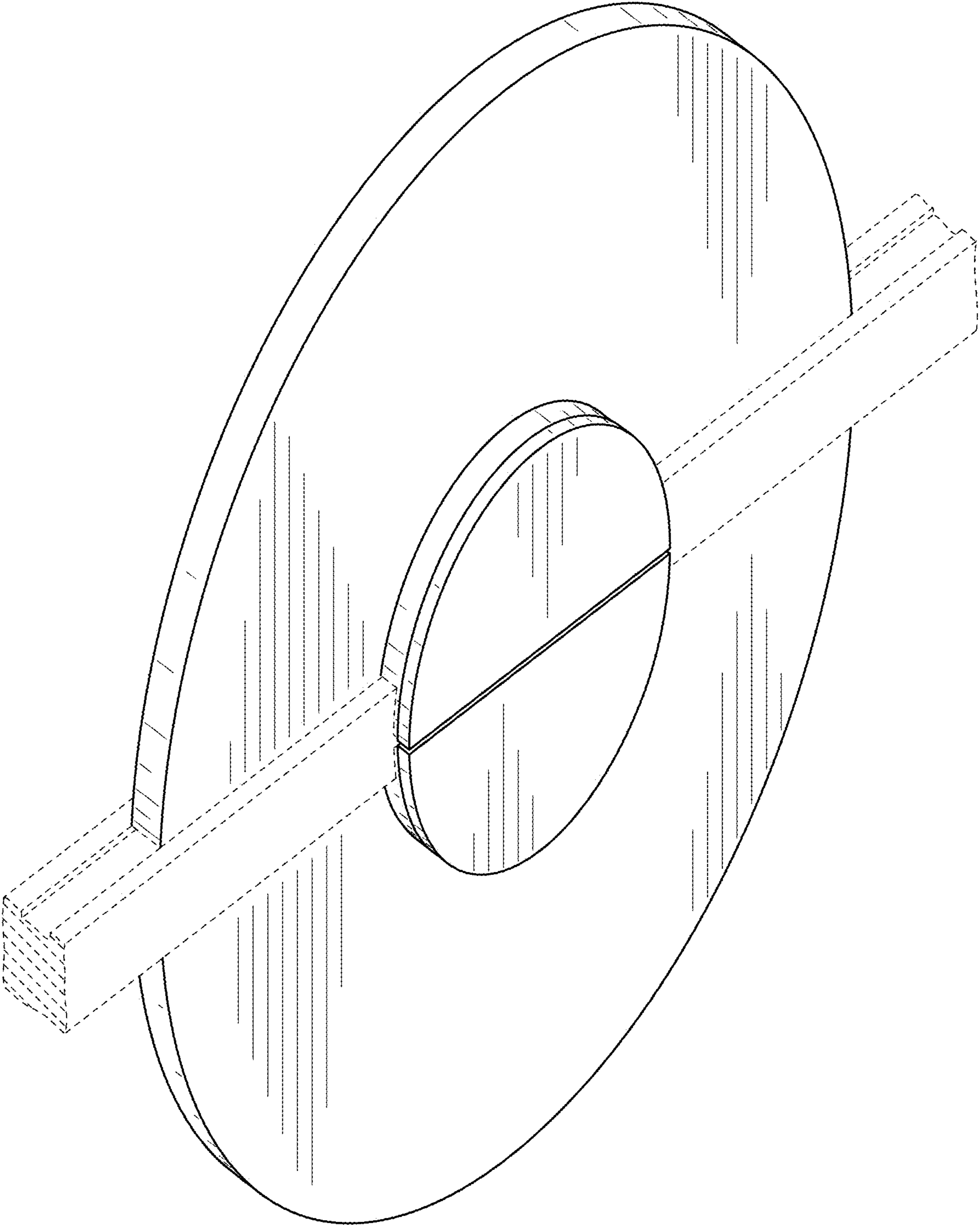


FIG. 8

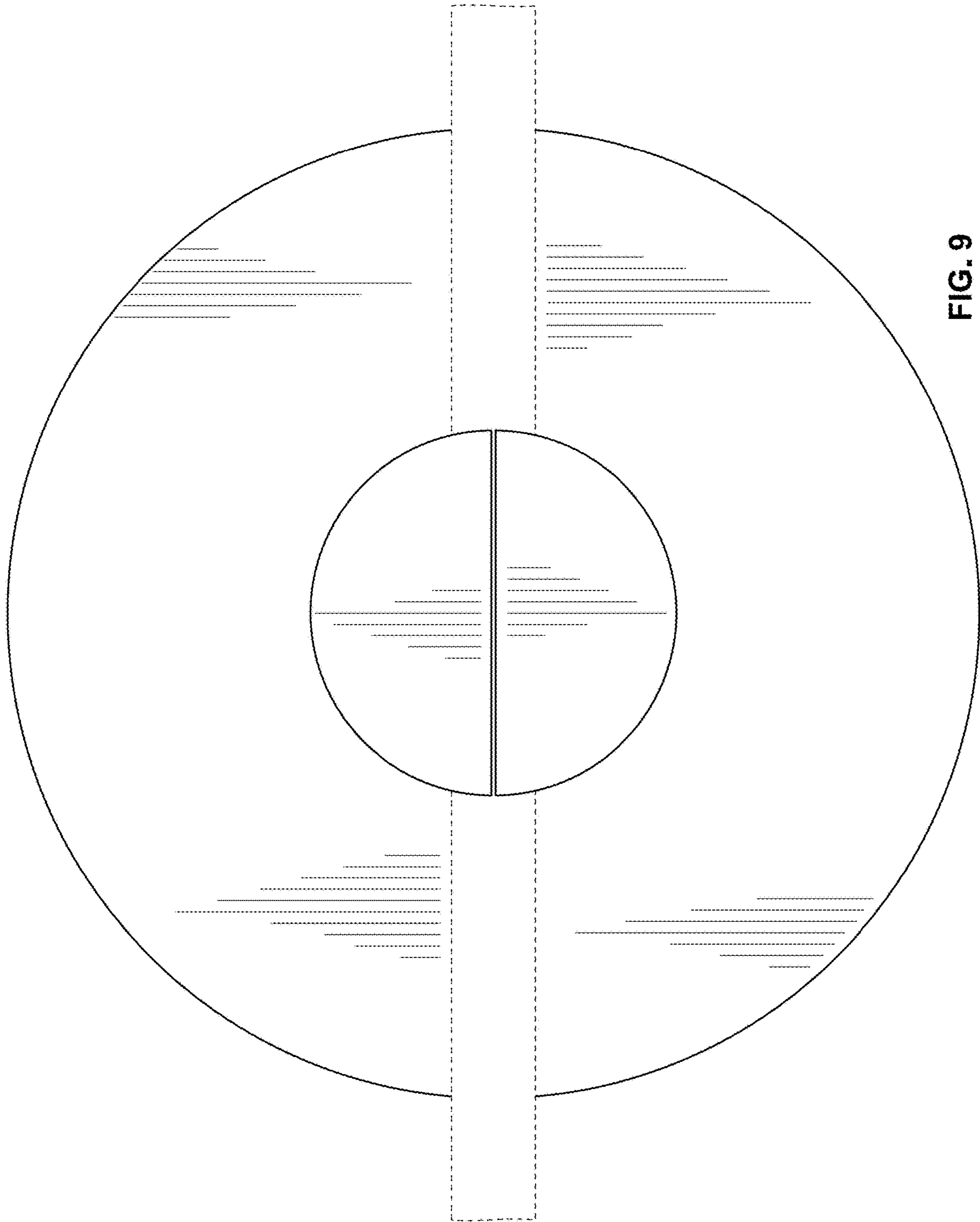


FIG. 9



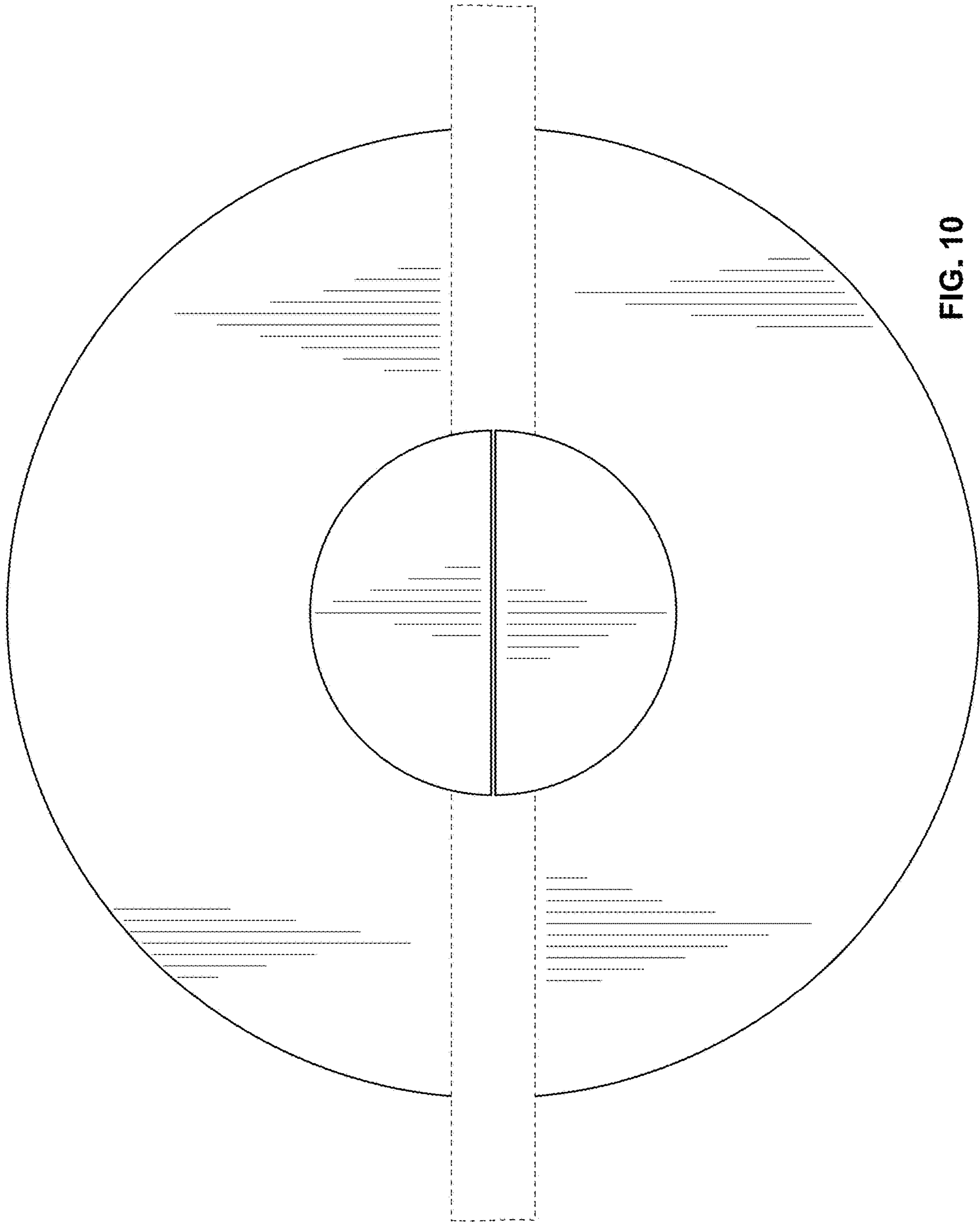


FIG. 10

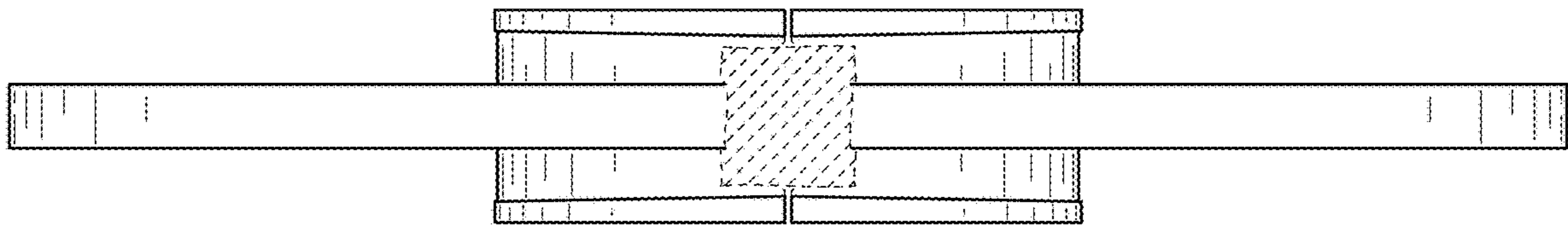


FIG. 12

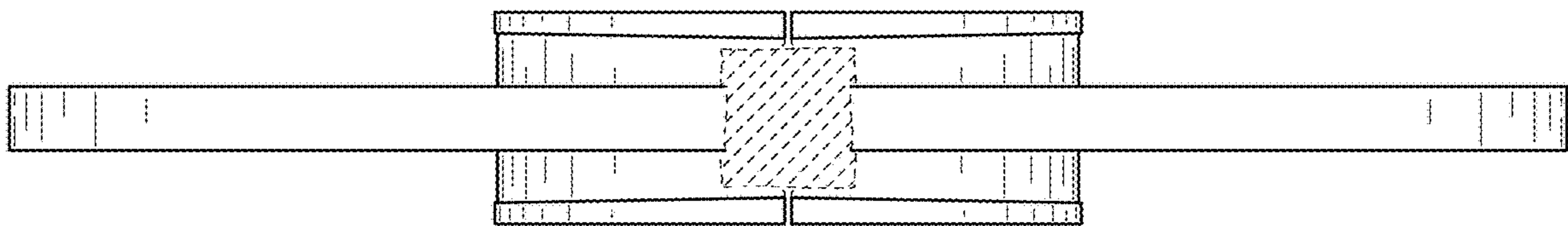


FIG. 11

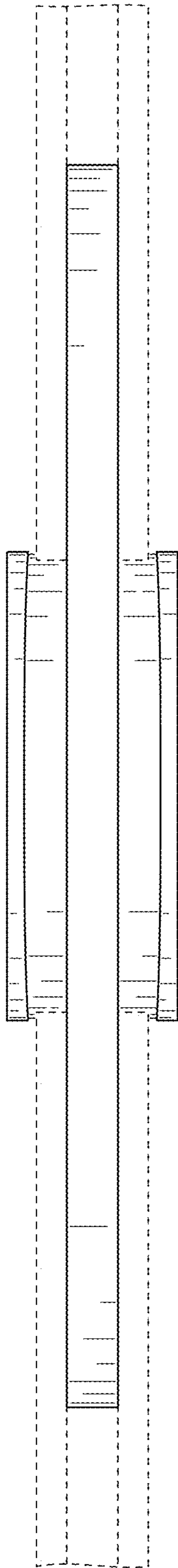


FIG. 13

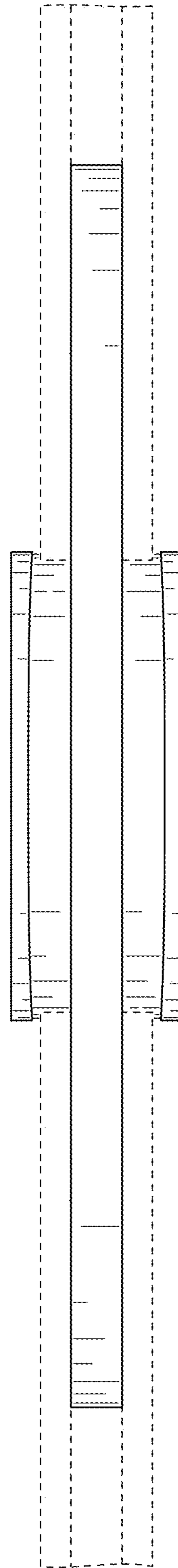


FIG. 14