



US00D869061S

(12) **United States Design Patent** (10) **Patent No.:** **US D869,061 S**  
**Altamura et al.** (45) **Date of Patent:** **\*\* Dec. 3, 2019**

(54) **LENS FOR A LIGHT PROJECTOR**

(71) Applicant: **Seasonal Specialties, LLC**, Eden Prairie, MN (US)

(72) Inventors: **Steven J. Altamura**, Scarsdale, NY (US); **Weng Yunbing**, Taizhou (CN); **Chen YongTai**, WenLin (CN)

(73) Assignee: **Seasonal Specialties, LLC**, Eden Prairie, MN (US)

D625,871 S 10/2010 Huang  
D659,871 S 5/2012 Lee  
8,269,243 B2 \* 9/2012 Duan ..... F21V 5/04  
257/100  
8,500,299 B2 \* 8/2013 Speidel ..... F21V 11/00  
362/235  
D725,818 S \* 3/2015 Yao ..... D26/118  
D740,485 S \* 10/2015 Siuvatti ..... D26/118  
D750,315 S \* 2/2016 Yao ..... D26/118  
D773,707 S 12/2016 Lentine  
D800,938 S 10/2017 Guercio  
2016/0025309 A1 1/2016 Zhang

(\*\*) Term: **15 Years**

(21) Appl. No.: **29/642,737**

(22) Filed: **Apr. 2, 2018**

**OTHER PUBLICATIONS**

<https://www.athome.com/santa-led-projctr-spotlight/124212705.html#sz=225&start=1>; Santa LED Projctr Spotlight—At Home, pp. 1-2, Oct. 10, 2017.

\* cited by examiner

*Primary Examiner* — Brian N. Vinson  
(74) *Attorney, Agent, or Firm* — Hamre, Schumann, Mueller & Larson, P.C.

**Related U.S. Application Data**

(62) Division of application No. 29/583,073, filed on Nov. 2, 2016, now Pat. No. Des. 814,680.

(51) **LOC (12) Cl.** ..... **26-99**

(52) **U.S. Cl.**  
USPC ..... **D26/118**

(58) **Field of Classification Search**  
USPC .... D26/51, 56, 57, 61, 72–91, 92–102, 108, D26/109, 113, 118, 124  
CPC . F21V 13/04; F21V 11/00; F21V 5/04; F21V 7/0091; F21V 7/00; F21V 7/04; F21V 7/041; F21V 3/00; F21V 19/00  
See application file for complete search history.

(57) **CLAIM**

The ornamental design for a lens for a light projector, as shown and described.

**DESCRIPTION**

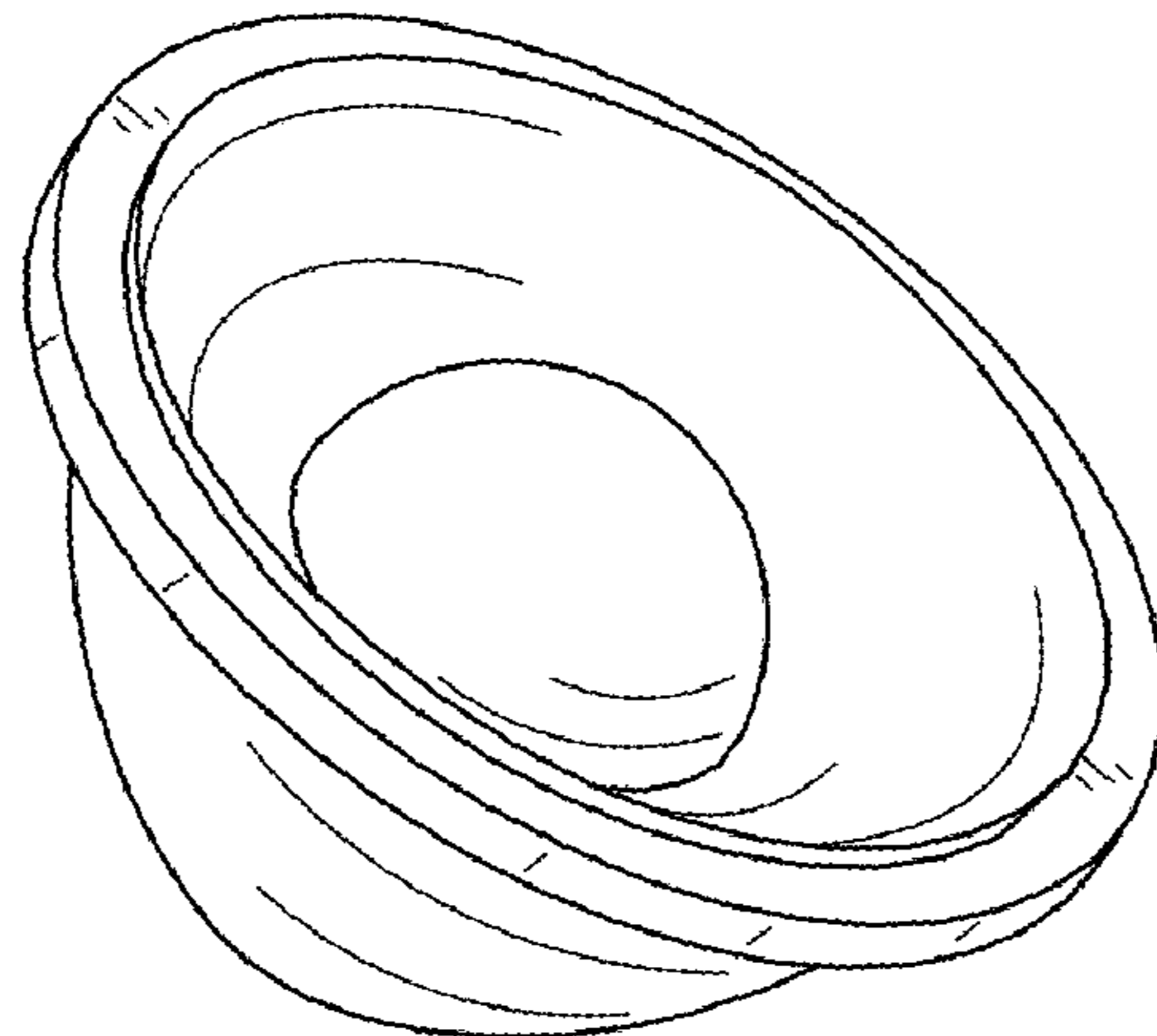
FIG. 1 is a perspective view of the projector light device shown for environmental purposes only.  
FIG. 2 is a perspective view of a condensing lens.  
FIG. 3 is a front view of FIG. 2 thereof.  
FIG. 4 is a top view of FIG. 2 thereof.  
FIG. 5 is a bottom view of FIG. 2 thereof; and,  
FIG. 6 is a bottom view of FIG. 2 shown in cross section taken along lines 6-6 of FIG. 4 to more clearly show the interior recess.  
The broken line disclosure represents the lighting head which form no part of the claimed design.

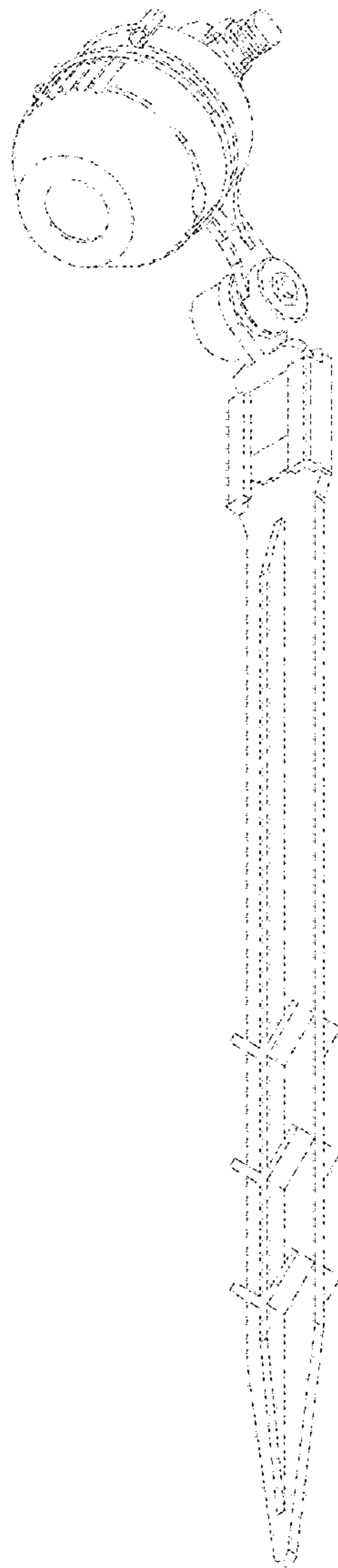
(56) **References Cited**

**U.S. PATENT DOCUMENTS**

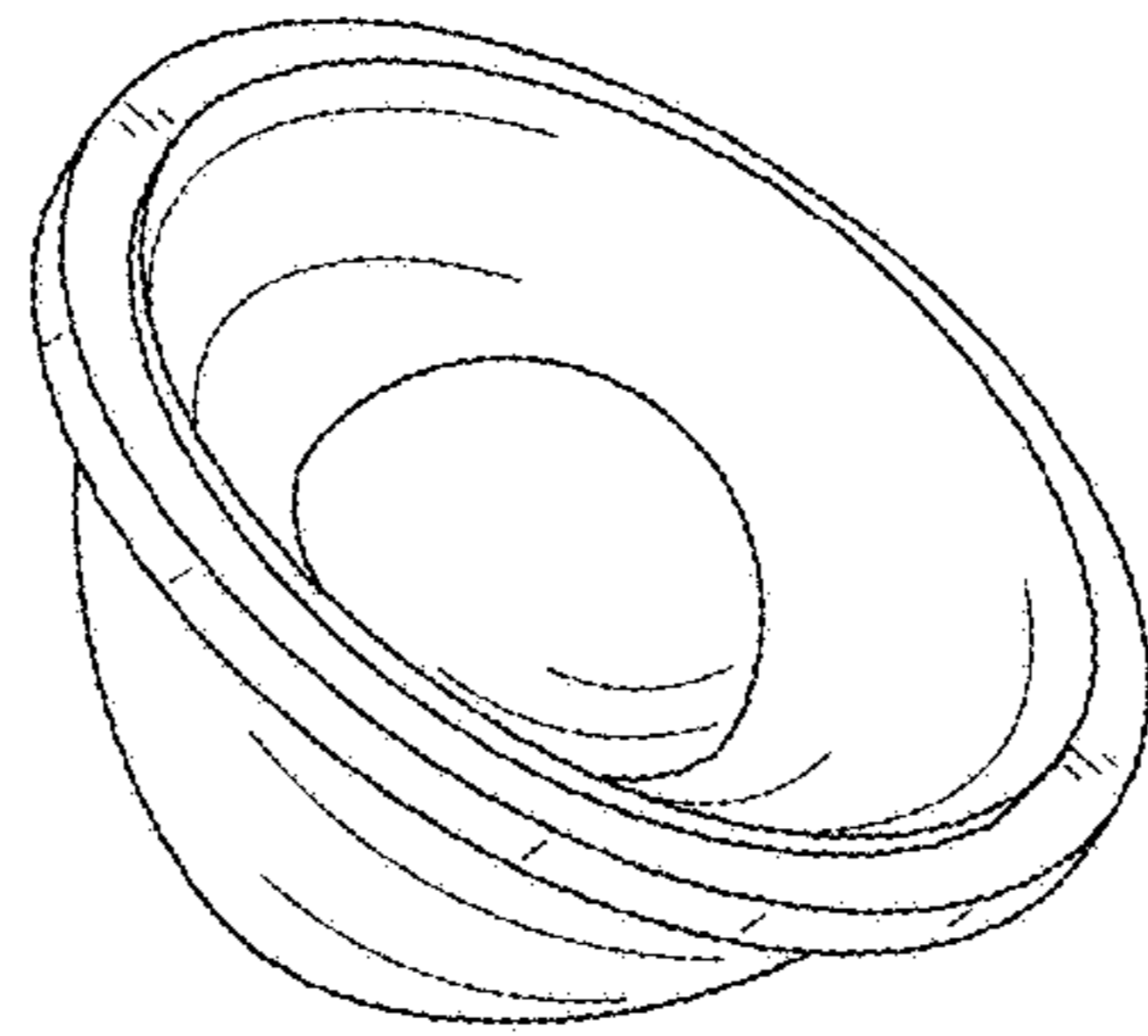
D414,579 S 9/1999 Denison  
D495,822 S \* 9/2004 Yoneda ..... D26/124  
6,902,292 B2 6/2005 Lai  
D542,959 S 5/2007 Yao  
D559,091 S 1/2008 Skorka  
D574,532 S 8/2008 Lee  
D625,462 S \* 10/2010 Ku ..... D26/128

**1 Claim, 3 Drawing Sheets**

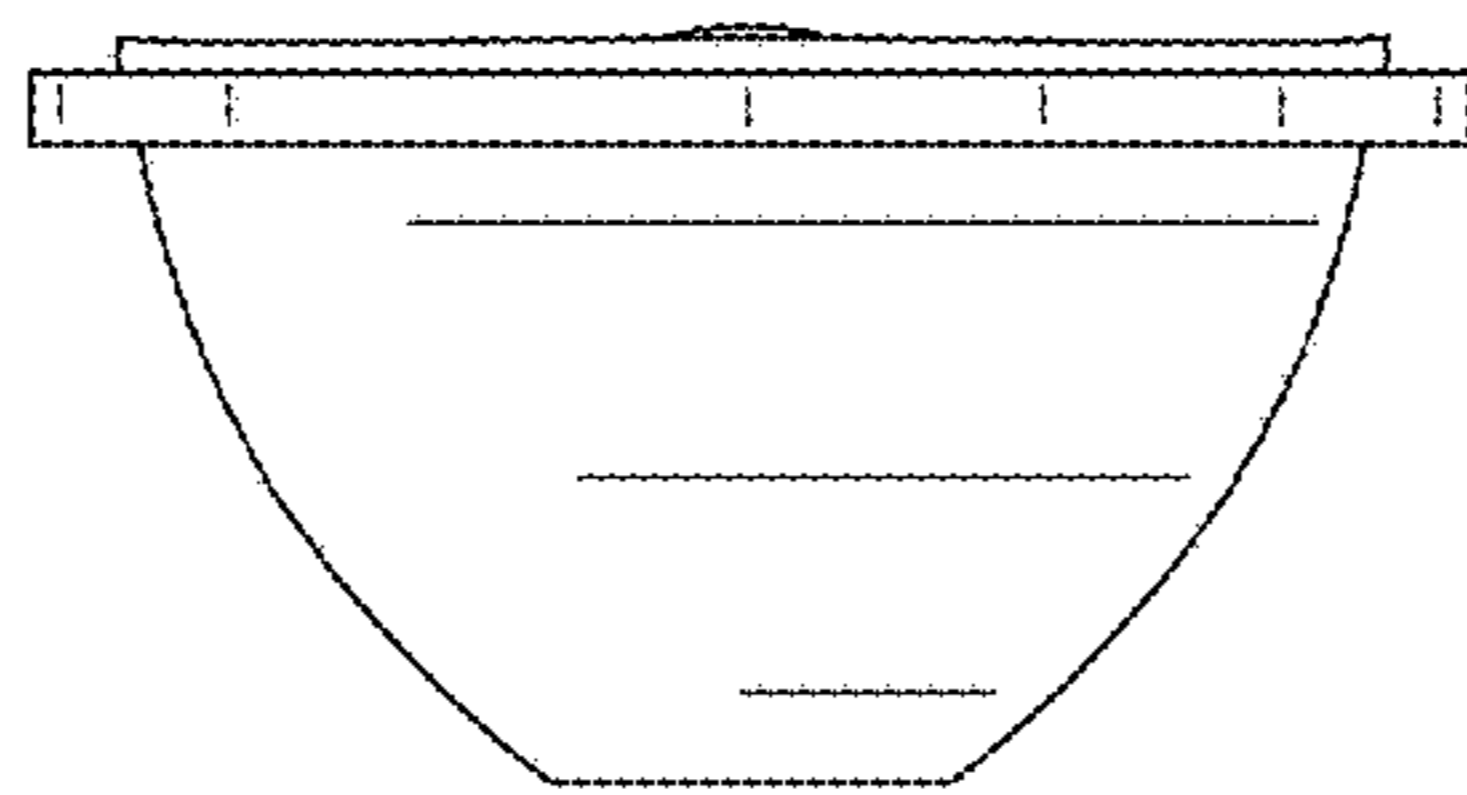




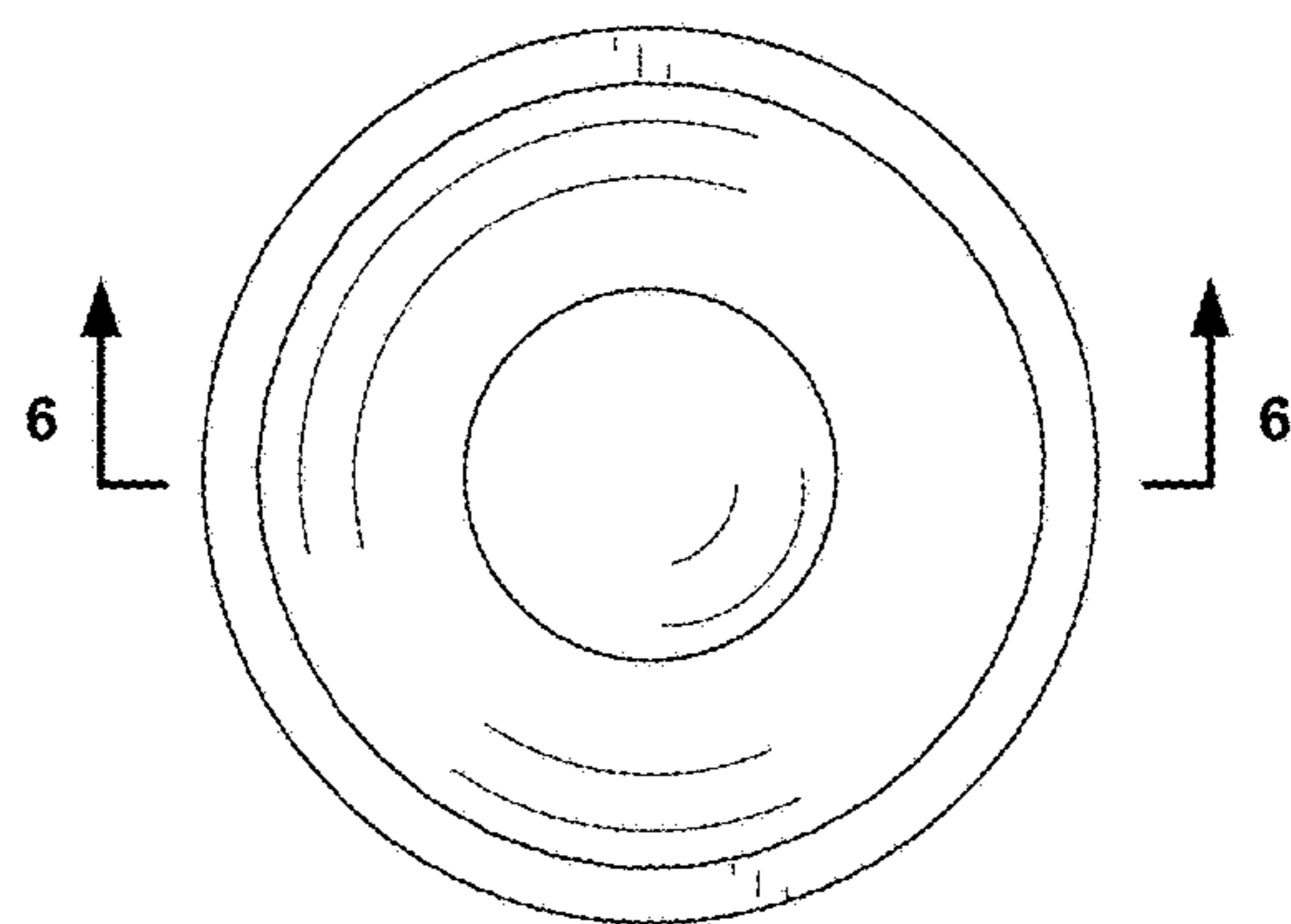
**FIG. 1**



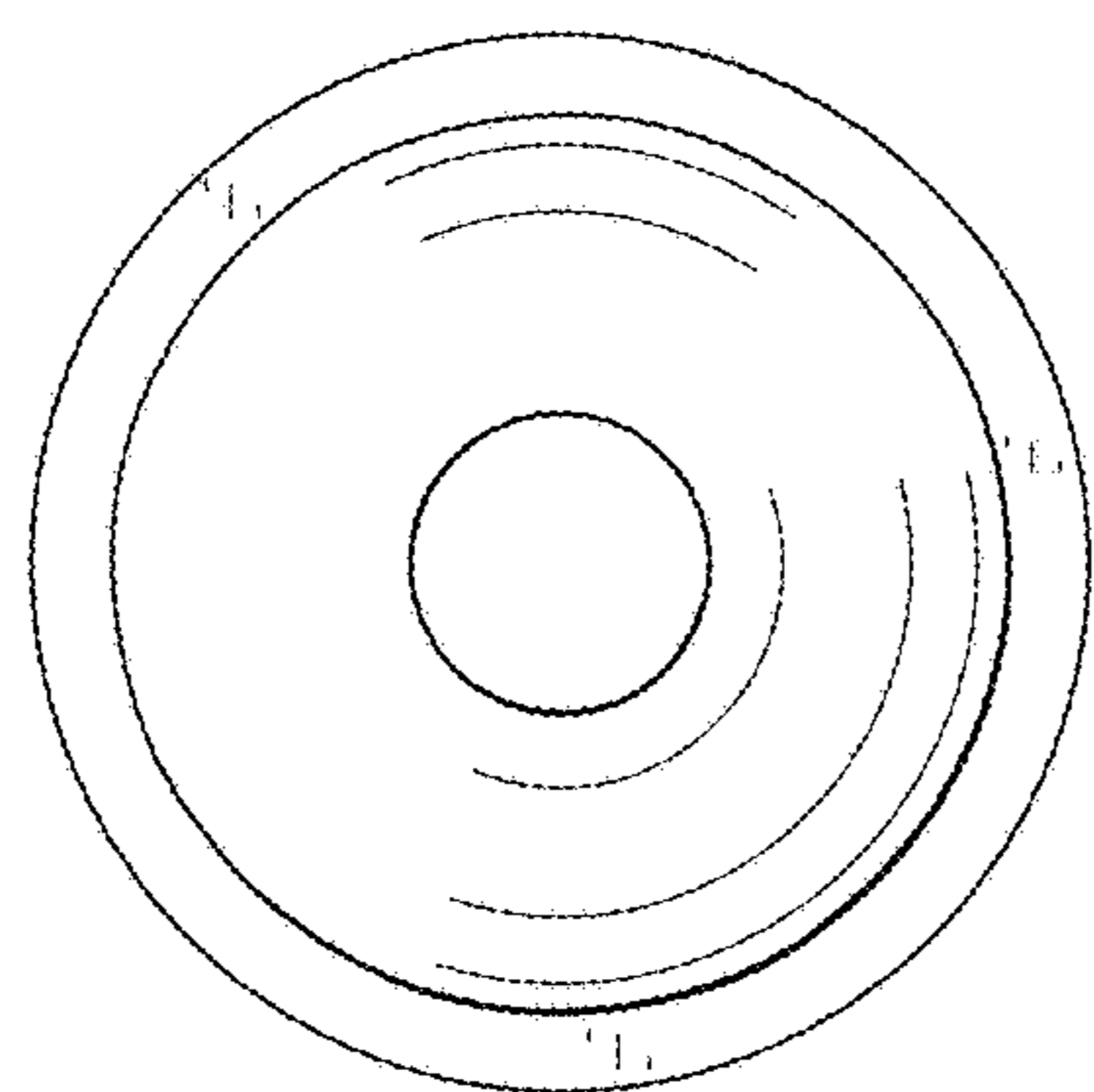
**FIG. 2**



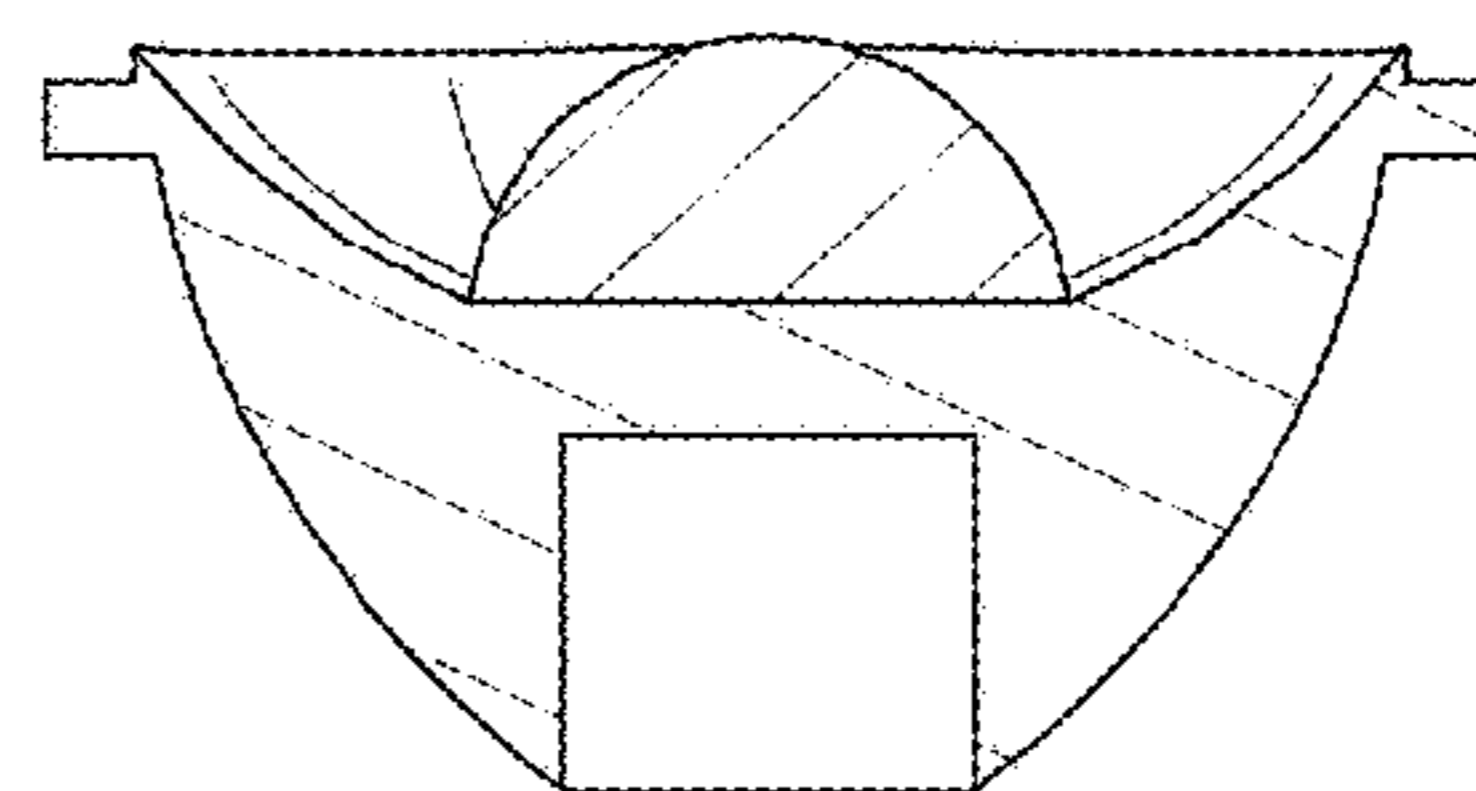
**FIG. 3**



**FIG. 4**



**FIG. 5**



**FIG. 6**