



US00D869052S

(12) **United States Design Patent**
Johnson

(10) **Patent No.:** **US D869,052 S**

(45) **Date of Patent:** **** Dec. 3, 2019**

(54) **ELONGATE LIGHT**

(71) Applicant: **London Johnson, Inc.**, Dallas, TX
(US)

(72) Inventor: **Brian P. Johnson**, Dallas, TX (US)

(73) Assignee: **London Johnson, Inc.**, Dallas, TX
(US)

(**) Term: **15 Years**

(21) Appl. No.: **29/672,005**

(22) Filed: **Nov. 30, 2018**

Related U.S. Application Data

(62) Division of application No. 29/578,629, filed on Sep. 22, 2016.

(51) **LOC (12) Cl.** **26-04**

(52) **U.S. Cl.**
USPC **D26/76**

(58) **Field of Classification Search**

USPC D26/72, 74, 76, 78-83, 85, 86, 88, 90,
D26/93, 111, 113, 118, 119, 120, 121,
D26/122, 138, 139, 140, 141, 142, 152
CPC F21S 2/00; F21S 4/00; F21S 4/003; F21S
4/005; F21S 4/006; F21S 4/007; F21S
4/008; F21S 6/00; F21S 8/00; F21S
8/024; F21S 8/026; F21S 8/031; F21S
8/033; F21S 8/035-037; F21S 8/04; F21S
8/043; F21S 8/063

See application file for complete search history.

(56) **References Cited**

U.S. PATENT DOCUMENTS

D386,278 S * 11/1997 Engle D26/76
D397,486 S * 8/1998 Engle D26/85

D452,340 S * 12/2001 Pickett D26/76
D481,483 S * 10/2003 Waugh D26/76
D569,027 S * 5/2008 Hakamada D26/76
D580,583 S * 11/2008 Pfund D26/76
D585,152 S * 1/2009 Levine D26/76
D595,887 S * 7/2009 Blom D26/51
D599,945 S * 9/2009 Pfund D26/76
D602,189 S * 10/2009 Zambelli D26/76
D603,545 S * 11/2009 Levine D26/63
D797,963 S * 9/2017 Johnson D26/24
D825,792 S * 8/2018 Johnson D26/24
D850,706 S * 6/2019 Pearson F21S 8/033
D26/120
D851,789 S * 6/2019 Johnson D26/24

* cited by examiner

Primary Examiner — Natasha Vujcic

(74) *Attorney, Agent, or Firm* — Perkins Coie LLP

(57) **CLAIM**

The ornamental design for an elongate light, as shown and described.

DESCRIPTION

FIG. 1 is a perspective view of an elongate light showing my design, as viewed from the top and front.

FIG. 2 is a top plan view thereof.

FIG. 3 is a bottom plan view thereof.

FIG. 4 is a back profile view thereof.

FIG. 5 is a front profile view thereof.

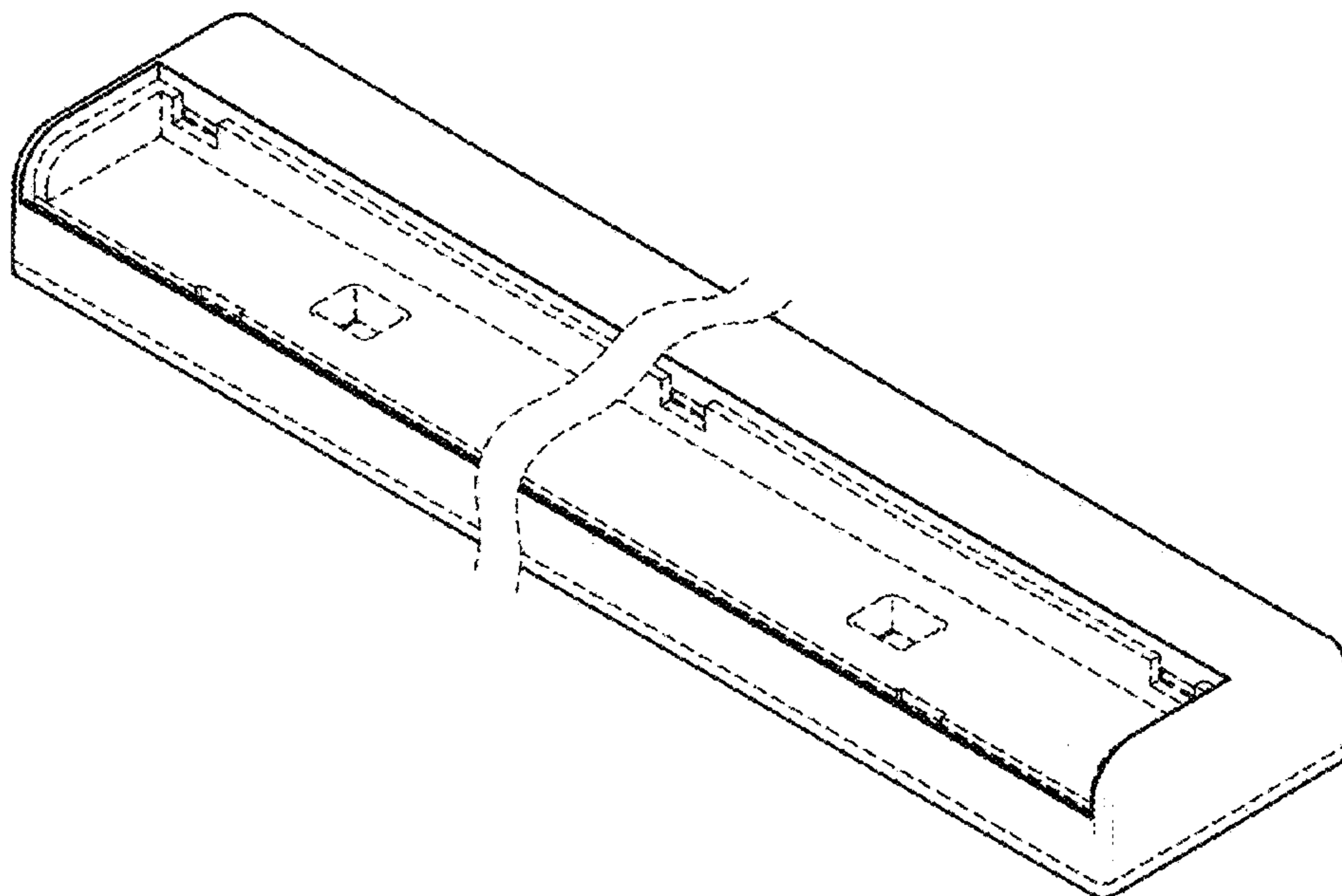
FIG. 6 is a first side profile view thereof; and,

FIG. 7 is a second side profile view thereof.

The details shown in broken lines illustrate features that form no part of the claimed design.

The break lines in FIGS. 1-5 indicate that the appearance of any portion of the elongate light between the break lines forms no part of the claimed design.

1 Claim, 2 Drawing Sheets



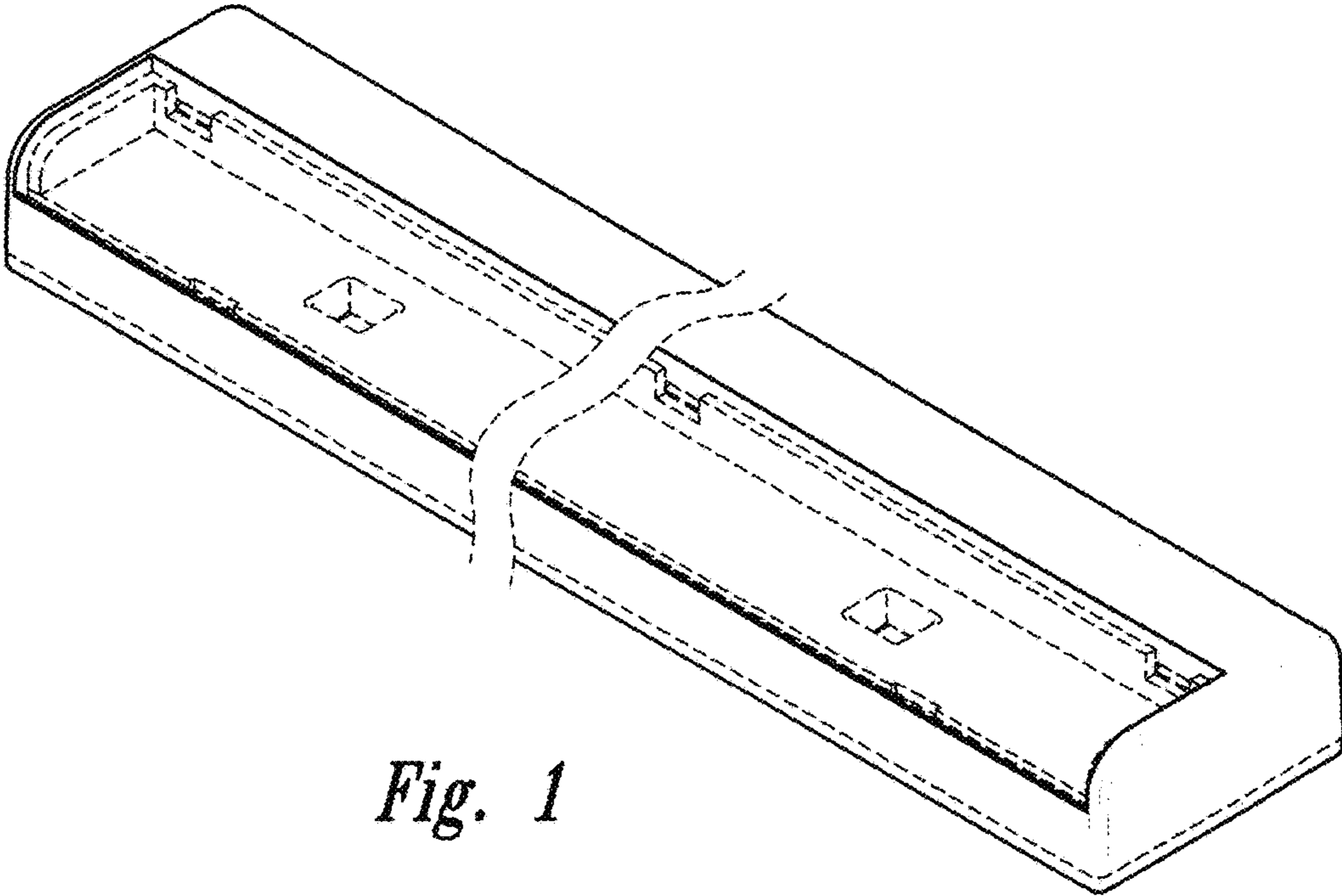


Fig. 1

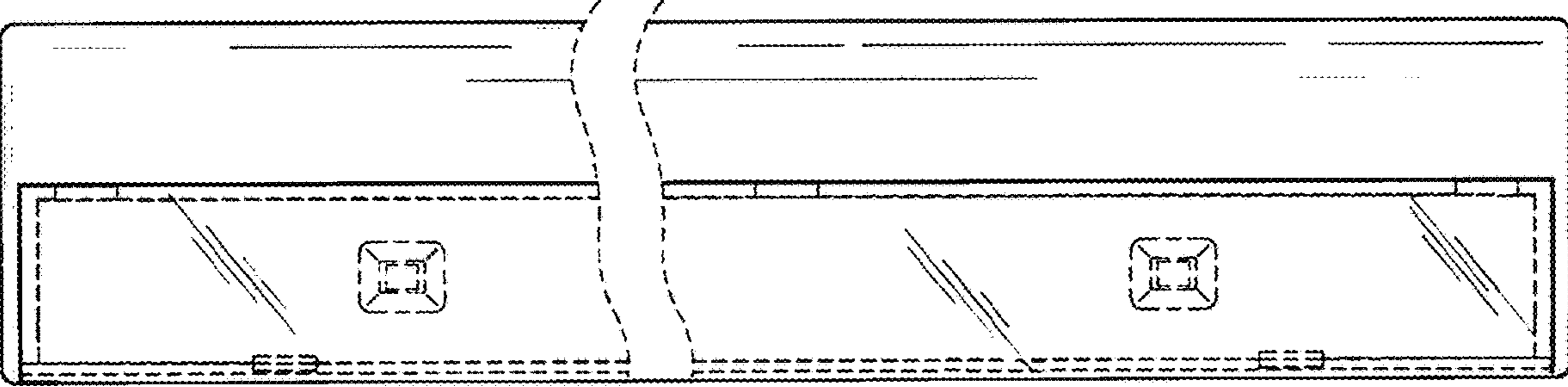


Fig. 2

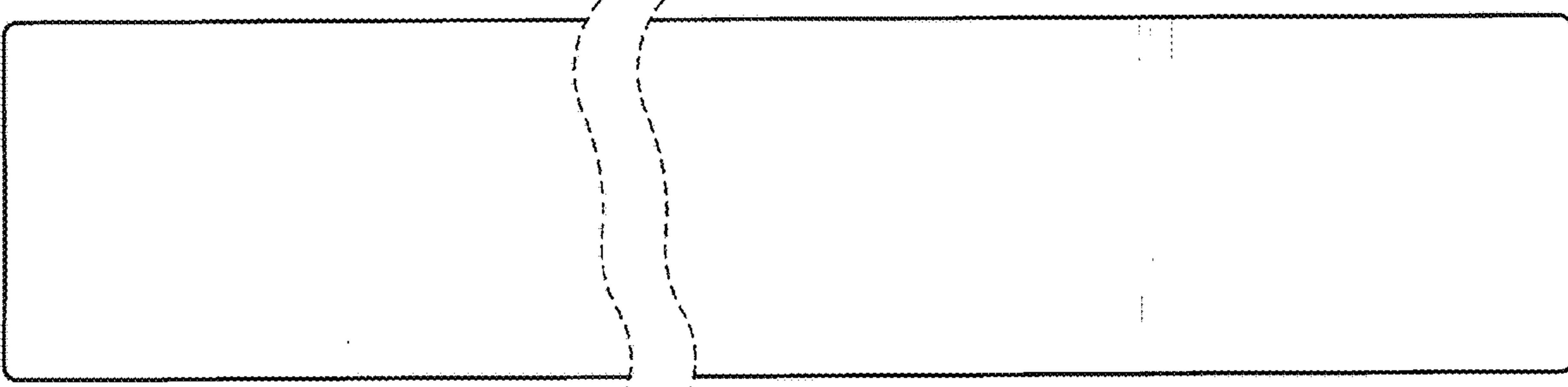


Fig. 3

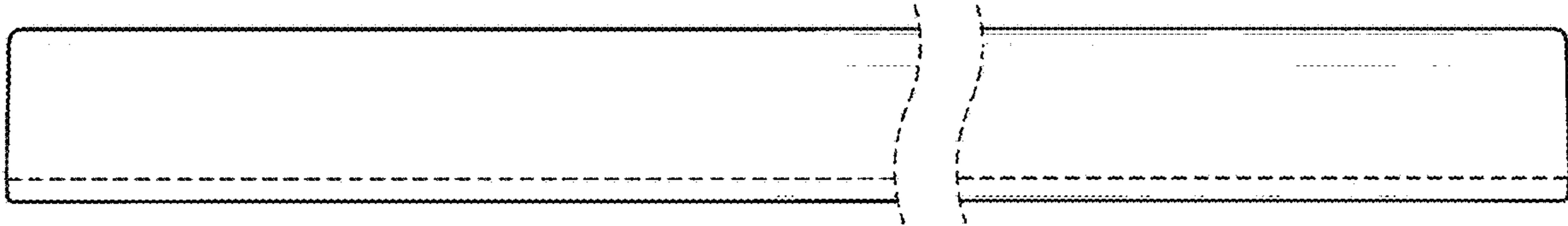


Fig. 4

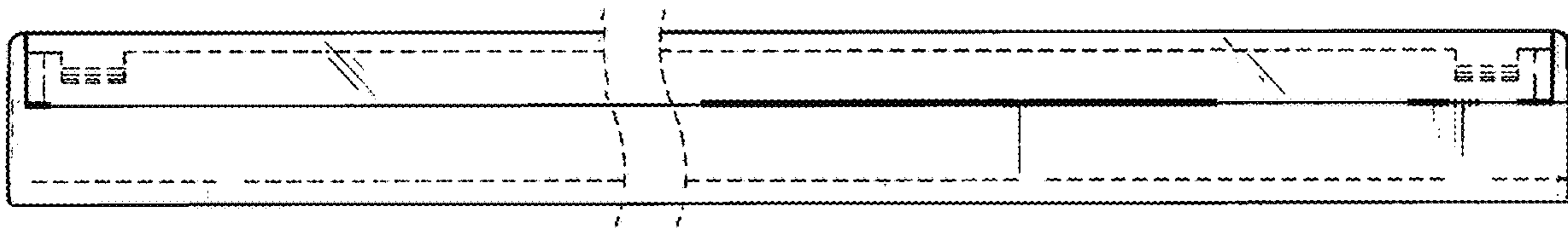


Fig. 5



Fig. 6



Fig. 7