



US00D869051S

(12) **United States Design Patent** (10) **Patent No.:** **US D869,051 S**
Scarlata et al. (45) **Date of Patent:** **** Dec. 3, 2019**

(54) **LUMINAIRE**

(56) **References Cited**

(71) Applicant: **EATON INTELLIGENT POWER LIMITED**, Dublin (IE)

U.S. PATENT DOCUMENTS

(72) Inventors: **Andrew Francis Scarlata**, West Monroe, NY (US); **Hui Zhang**, Manlius, NY (US); **Mevzad Ljuca**, Manlius, NY (US); **Joseph Michael Manahan**, Manlius, NY (US)

| | | | |
|--------------|---------|-----------------|---------|
| D149,427 S | 4/1948 | Lindahl | |
| D149,655 S | 5/1948 | Lindahl | |
| D153,002 S | 3/1949 | Meyer | |
| D153,665 S | 5/1949 | Braun | |
| D156,332 S | 12/1949 | Gilman | |
| 2,606,998 A | 8/1952 | Winkler et al. | |
| D177,268 S | 3/1956 | McCormack | |
| D195,012 S * | 4/1963 | Hoyle | D23/388 |
| 5,117,342 A | 5/1992 | Vlah | |
| D414,580 S * | 9/1999 | Herst | D26/76 |
| D449,400 S | 10/2001 | Tillman et al. | |
| D453,001 S | 1/2002 | Berman | |
| D459,517 S | 6/2002 | Shemitz et al. | |
| D480,168 S | 9/2003 | Herst et al. | |
| D495,085 S * | 8/2004 | Thornton, Jr. | D26/76 |
| D580,583 S * | 11/2008 | Pfund | D26/76 |
| D608,930 S * | 1/2010 | Castelli | D26/76 |
| D633,640 S * | 3/2011 | Wauters | D26/76 |
| D662,643 S * | 6/2012 | Takahashi | D26/76 |
| 8,197,086 B2 | 6/2012 | Watanabe et al. | |
| D664,700 S * | 7/2012 | Ferguson | D26/76 |
| D687,177 S * | 7/2013 | Grandsart | D26/85 |
| D705,976 S * | 5/2014 | Hedstrom | D26/119 |

(73) Assignee: **EATON INTELLIGENT POWER LIMITED**, Dublin (IE)

(**) Term: **15 Years**

(21) Appl. No.: **29/650,565**

(22) Filed: **Jun. 7, 2018**

Related U.S. Application Data

(62) Division of application No. 29/533,432, filed on Jul. 17, 2015, now Pat. No. Des. 822,870.

(51) **LOC (12) Cl.** **26-04**

(52) **U.S. Cl.**
USPC **D26/76**

(58) **Field of Classification Search**
USPC D26/72, 74, 76, 78-83, 85, 86, 88, 90, D26/93, 111, 113, 118, 119, 120, 121, D26/122, 138, 139, 140, 141, 142, 152
CPC F21S 2/00; F21S 4/00; F21S 4/003; F21S 4/005; F21S 4/006; F21S 4/007; F21S 4/008; F21S 6/00; F21S 8/00; F21S 8/024; F21S 8/026; F21S 8/031; F21S 8/033; F21S 8/035-8/037; F21S 8/04; F21S 8/043; F21S 8/063
See application file for complete search history.

(Continued)

Primary Examiner — Natasha Vujcic
(74) *Attorney, Agent, or Firm* — Pearne & Gordon LLP

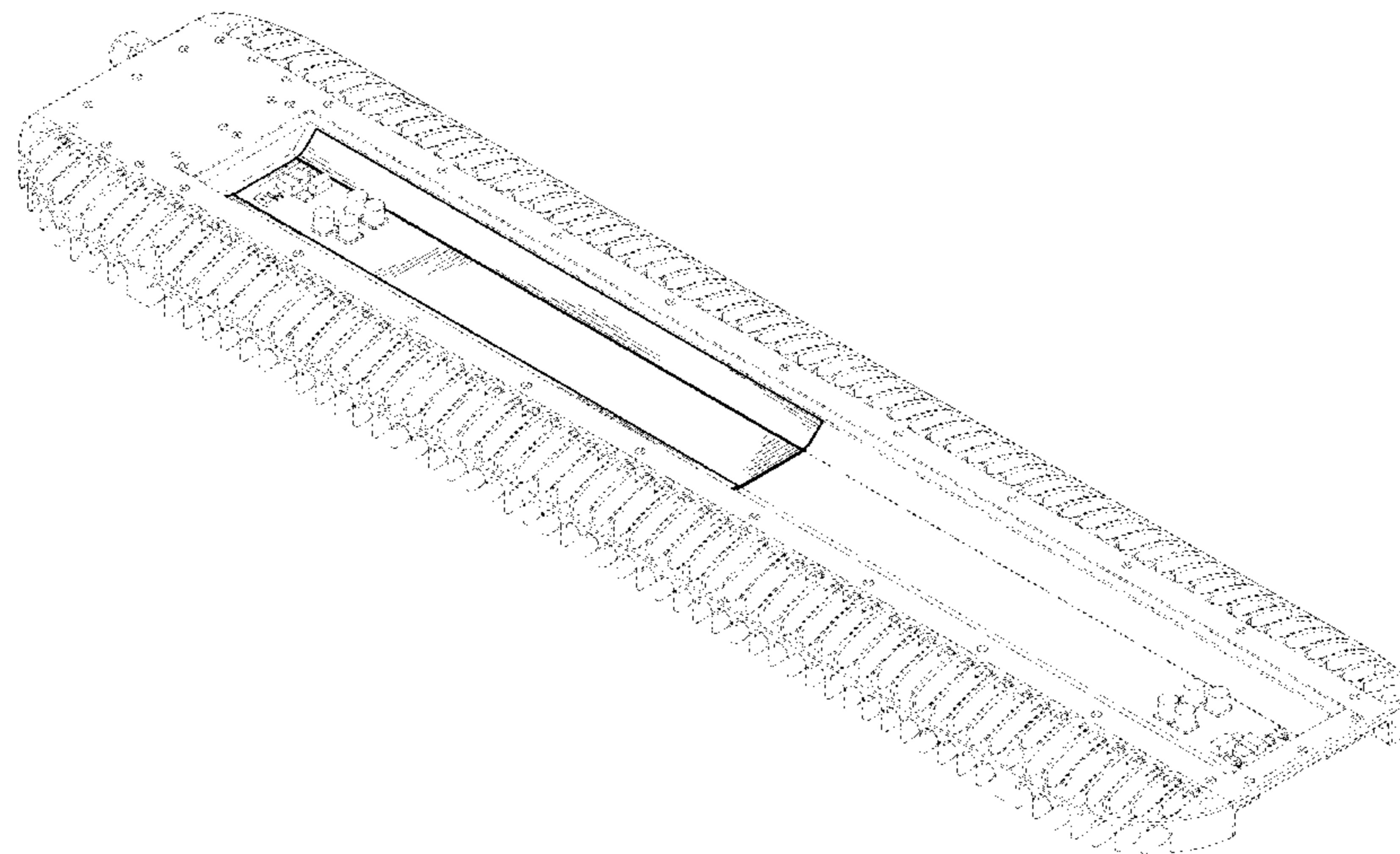
(57) **CLAIM**

The ornamental design for a luminaire, as shown and described.

DESCRIPTION

FIG. 1 is a top perspective view of a luminaire;
FIG. 2 is a top view thereof;
FIG. 3 is a cross sectional view taken from the cut line 3-3 in FIG. 2 thereof; and,
FIG. 4 is a cross sectional view taken from the cut line 4-4 in FIG. 2 thereof.
The broken lines in the drawings illustrate portions of the luminaire which forms no part of the claimed design.

1 Claim, 3 Drawing Sheets



(56)

References Cited

U.S. PATENT DOCUMENTS

| | | | |
|-----------------|---------|-----------------|--------|
| D706,480 S | 6/2014 | Hedstrom et al. | |
| D733,347 S * | 6/2015 | Dungan | D26/76 |
| D737,500 S | 8/2015 | Santoro et al. | |
| D774,677 S | 12/2016 | Lehman | |
| D780,976 S * | 3/2017 | Czech | D26/78 |
| D791,383 S * | 7/2017 | Yu | D26/76 |
| D800,367 S * | 10/2017 | Ladnier | D26/76 |
| D847,395 S * | 4/2019 | Tremaine | D26/76 |
| 2017/0019963 A1 | 1/2017 | Scarlata et al. | |

* cited by examiner

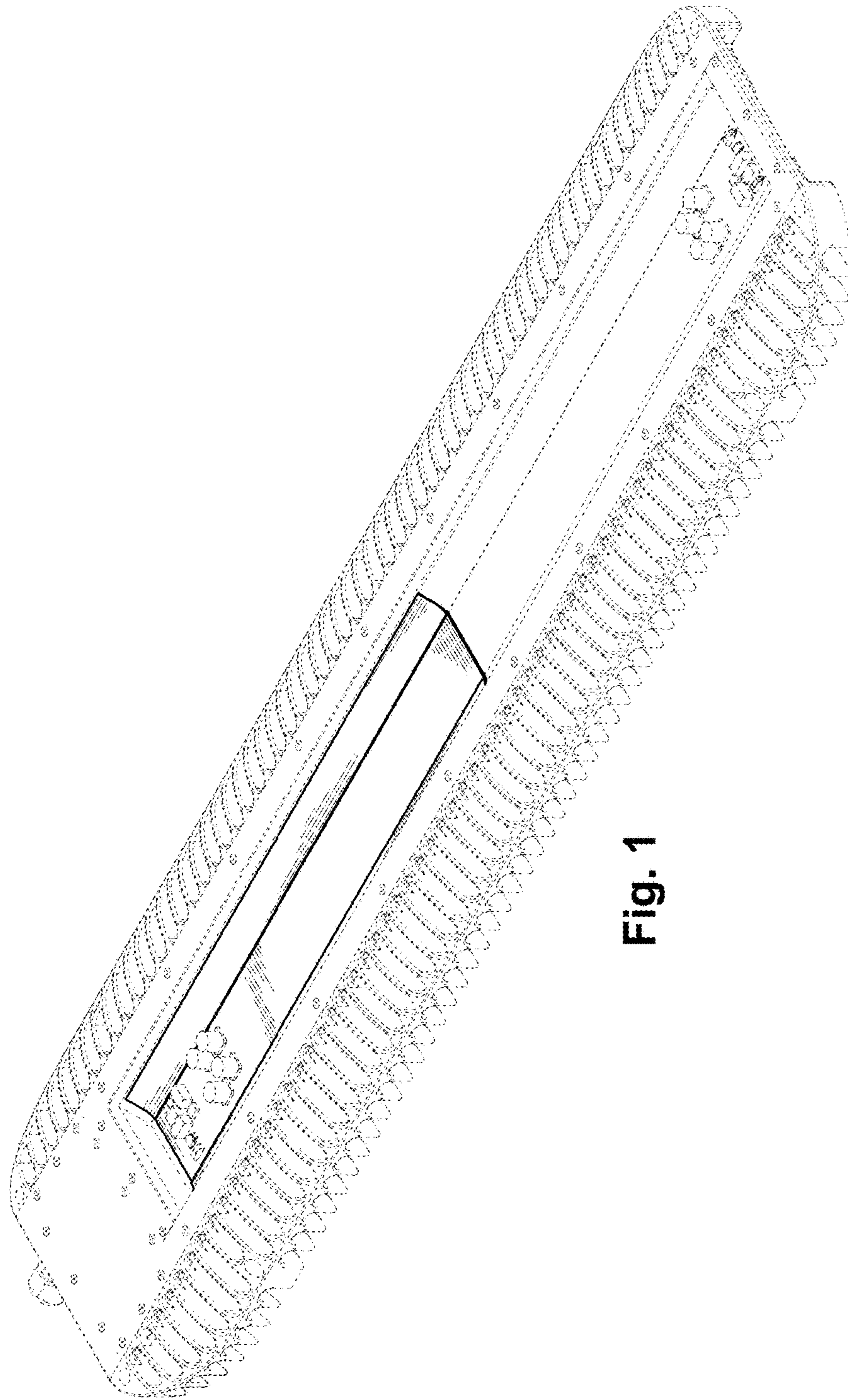


Fig. 1

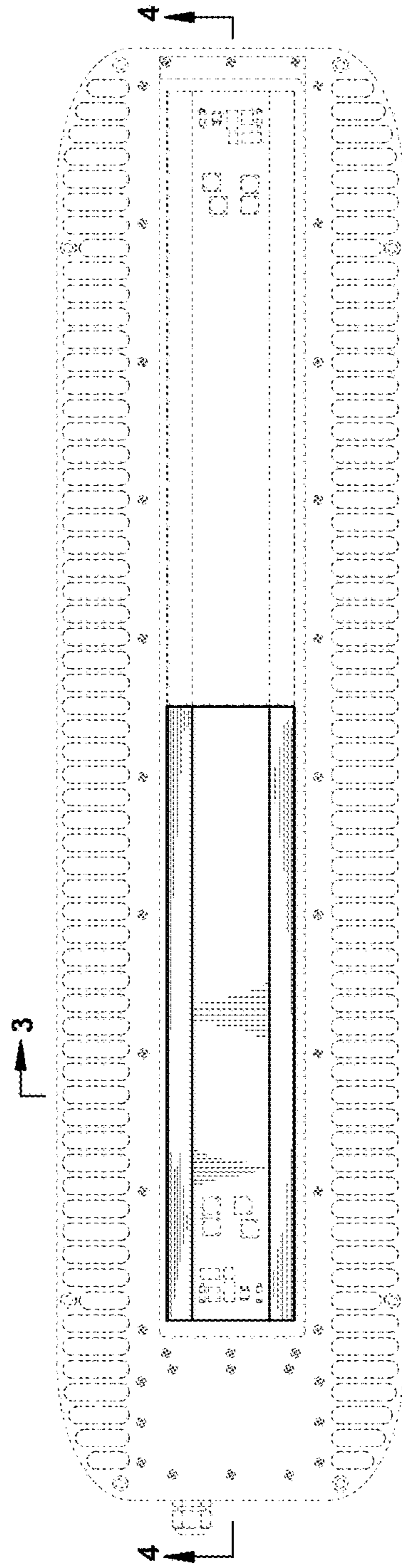


Fig. 2

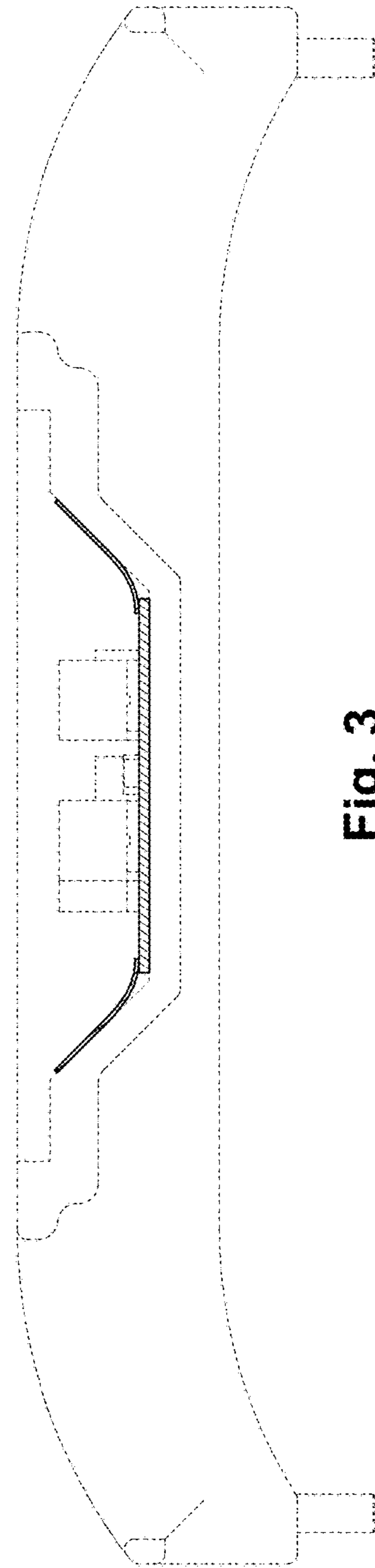


Fig. 3

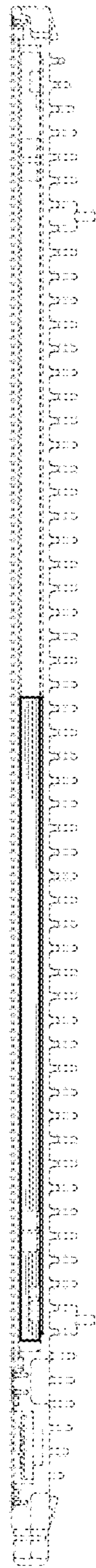


Fig. 4