

US00D869046S

(12) **United States Design Patent** (10) **Patent No.:** **US D869,046 S**
Pfund et al. (45) **Date of Patent:** **** Dec. 3, 2019**

- (54) **LUMINAIRE**
- (71) Applicant: **SYLVAN R. SHEMITZ DESIGNS, LLC**, West Haven, CT (US)
- (72) Inventors: **David R Pfund**, Woodbridge, CT (US); **Paul Ford**, Orange, CT (US)
- (73) Assignee: **SYLVAN R. SHEMITZ DESIGNS, LLC**, West Haven, CT (US)
- (**) Term: **15 Years**
- (21) Appl. No.: **29/621,117**
- (22) Filed: **Oct. 4, 2017**

D452,340 S *	12/2001	Pickett	D26/76
D556,362 S	11/2007	Pfund et al.	
D563,019 S *	2/2008	Pfund	D26/142
D564,692 S	3/2008	Pfund	
D565,234 S	3/2008	Pfund et al.	
D572,399 S	7/2008	Pfund	
D580,583 S	11/2008	Pfund	
D595,887 S *	7/2009	Blom	D26/51
D599,945 S	9/2009	Pfund	
D627,503 S	11/2010	Postelmans	
D632,422 S	2/2011	Van Den	
D632,423 S	2/2011	Canfield	
D647,246 S *	10/2011	Chadwick	D26/138
D726,361 S *	4/2015	Rischau	D26/107
D732,602 S *	6/2015	Nokuo	D16/242
D747,539 S	1/2016	Santoro et al.	
D782,099 S *	3/2017	Orozco	D26/85
D791,383 S *	7/2017	Yu	D26/76
D801,570 S *	10/2017	Grandsart	D26/76
D802,198 S *	11/2017	Pfund	D26/76
D802,818 S *	11/2017	Pfund	D26/76
D805,233 S *	12/2017	Verfueth	D26/76
D824,075 S *	7/2018	Yu	D26/76

(Continued)

Related U.S. Application Data

- (62) Division of application No. 29/529,063, filed on Jun. 3, 2015, now Pat. No. Des. 802,198.
- (51) **LOC (12) Cl.** **26-04**
- (52) **U.S. Cl.**
USPC **D26/76**
- (58) **Field of Classification Search**
USPC D26/72, 74, 76, 78-83, 85, 86, 88, 90, D26/93, 111, 113, 118, 119, 120, 121, D26/122, 138, 139, 140, 141, 142, 152
CPC F21S 2/00; F21S 4/00; F21S 4/003; F21S 4/005; F21S 4/006; F21S 4/007; F21S 4/008; F21S 6/00; F21S 8/00; F21S 8/024; F21S 8/026; F21S 8/031; F21S 8/033; F21S 8/035-8/037; F21S 8/04; F21S 8/043; F21S 8/063
See application file for complete search history.

Primary Examiner — Natasha Vujcic
(74) *Attorney, Agent, or Firm* — Cantor Colburn LLP

(57) **CLAIM**

We claim, the ornamental design for a luminaire, as shown and described.

DESCRIPTION

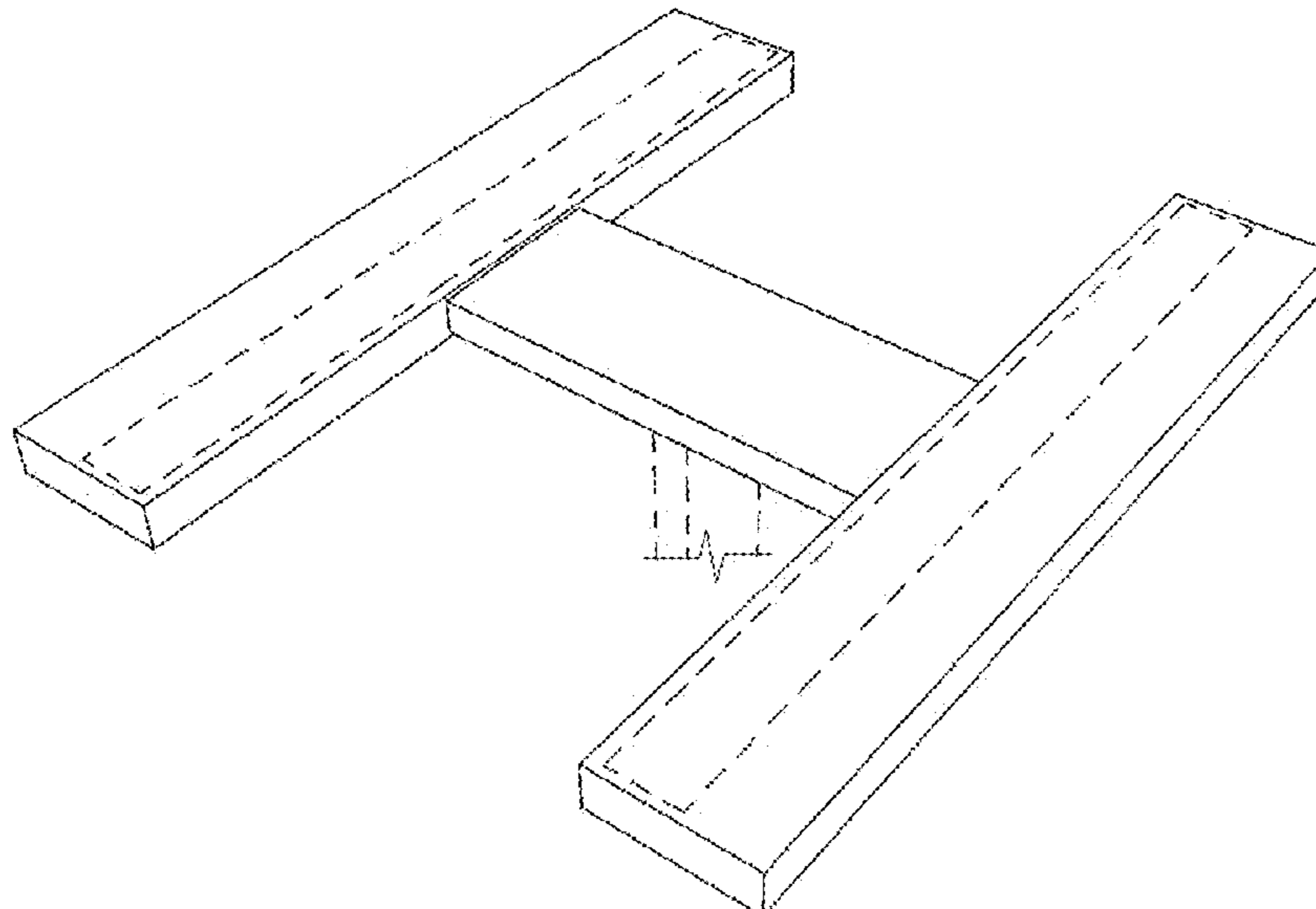
FIG. 1 is a top perspective view of a luminaire showing our new design;
FIG. 2 is a bottom perspective view thereof;
FIG. 3 is a top plan view thereof;
FIG. 4 is a bottom plan view thereof; and,
FIG. 5 is a side elevation view thereof, the opposite side being identical to said side.
The broken lines in the drawings illustrate portions of the luminaire which form no part of the claimed design.

(56) **References Cited**

U.S. PATENT DOCUMENTS

- D191,628 S 10/1961 Muller et al.
- D418,936 S * 1/2000 Dunning D26/3

1 Claim, 3 Drawing Sheets



(56)

References Cited

U.S. PATENT DOCUMENTS

10,041,662 B2 * 8/2018 Sonneman F21S 4/28
D846,786 S * 4/2019 Tremaine D26/76
2006/0232981 A1 10/2006 Pfund et al.

* cited by examiner

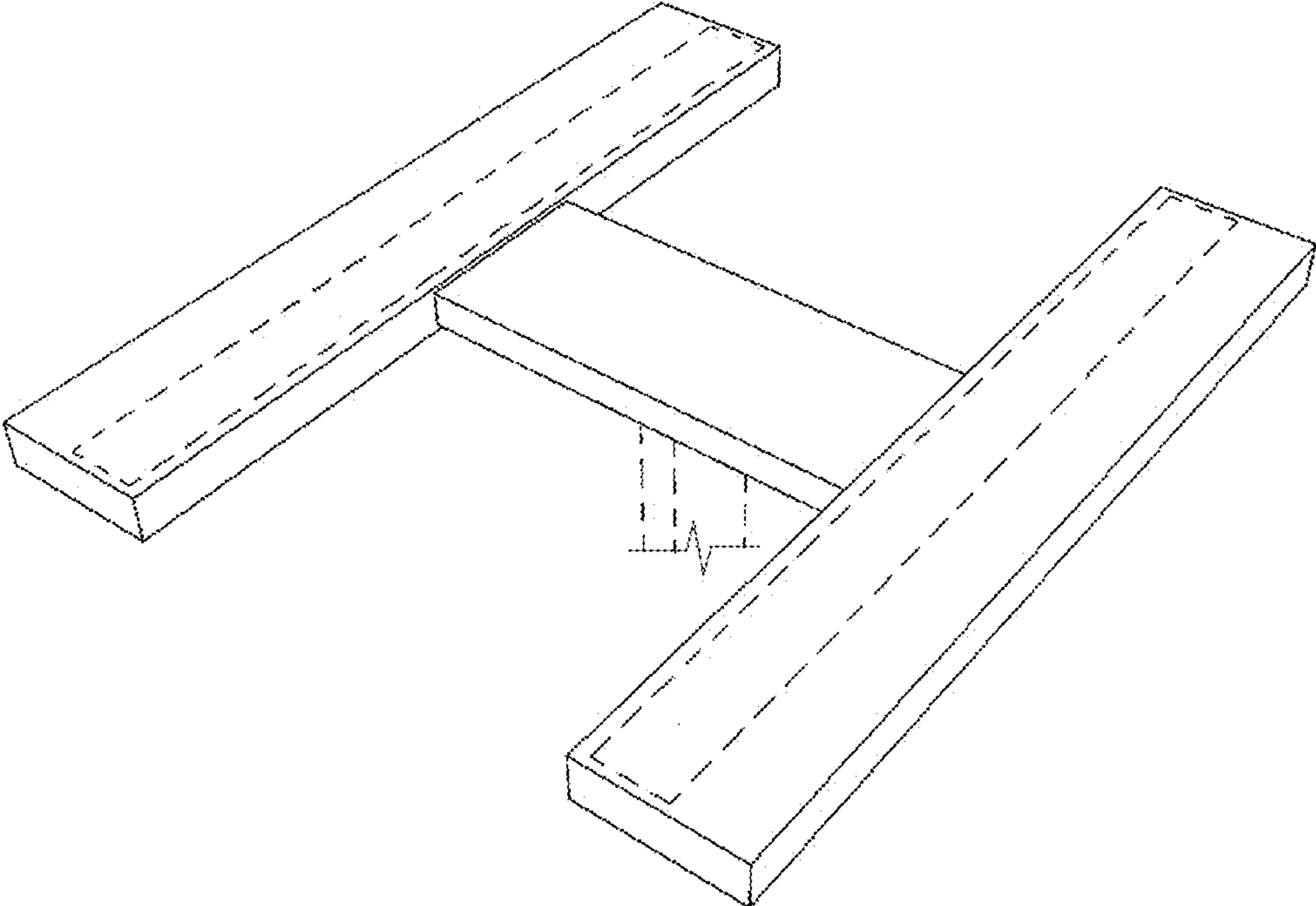


FIG. 1

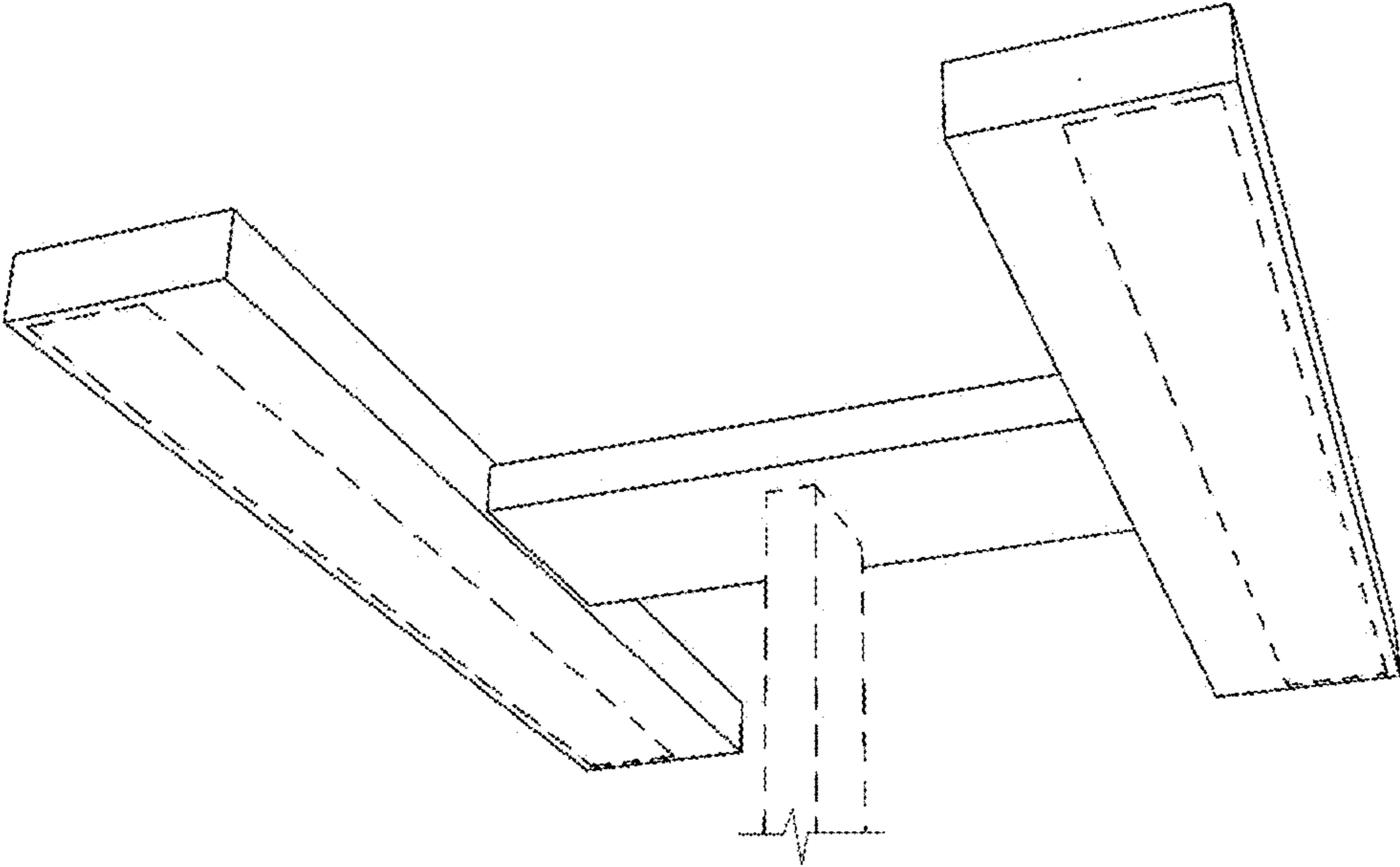


FIG. 2

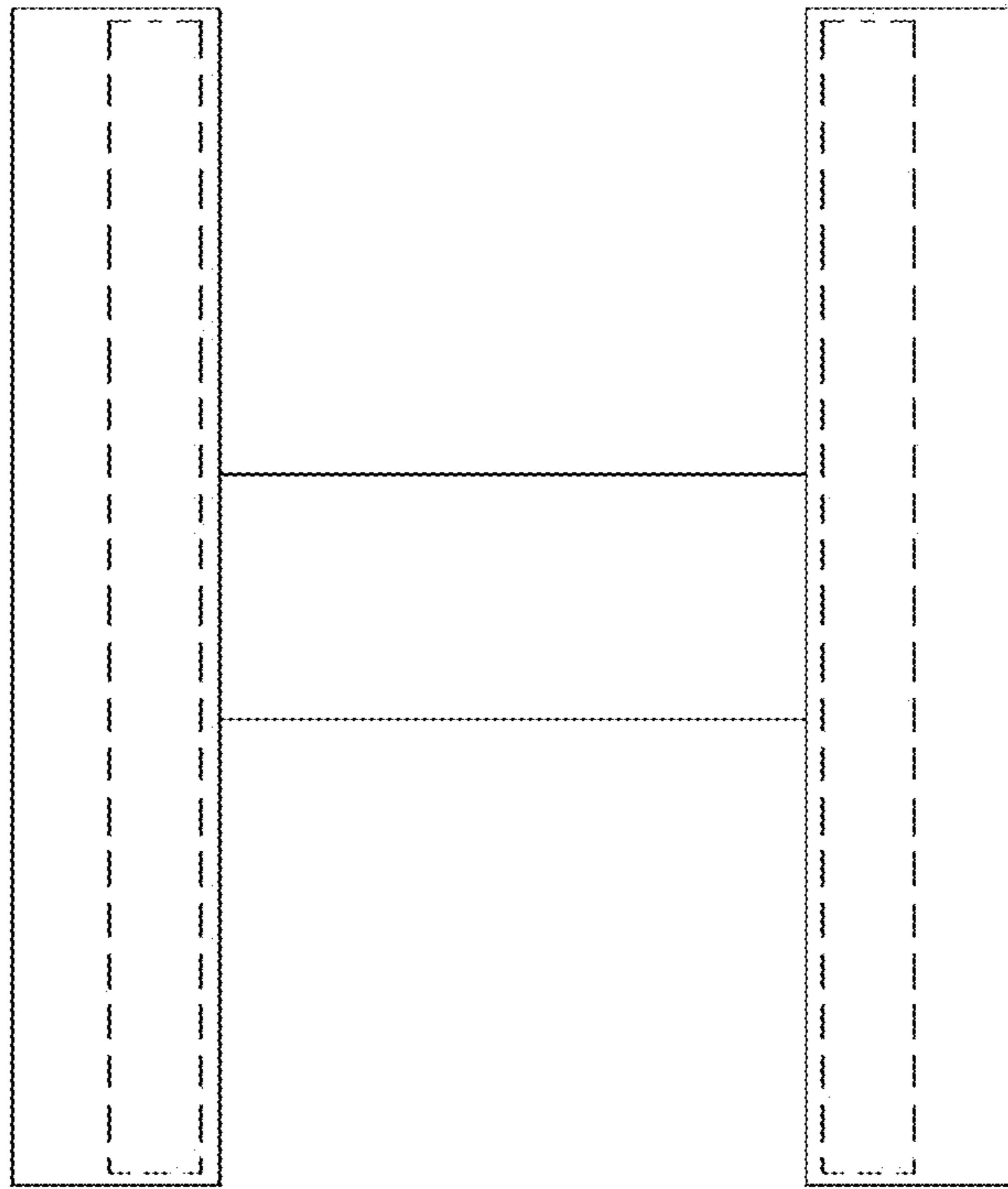


FIG. 3

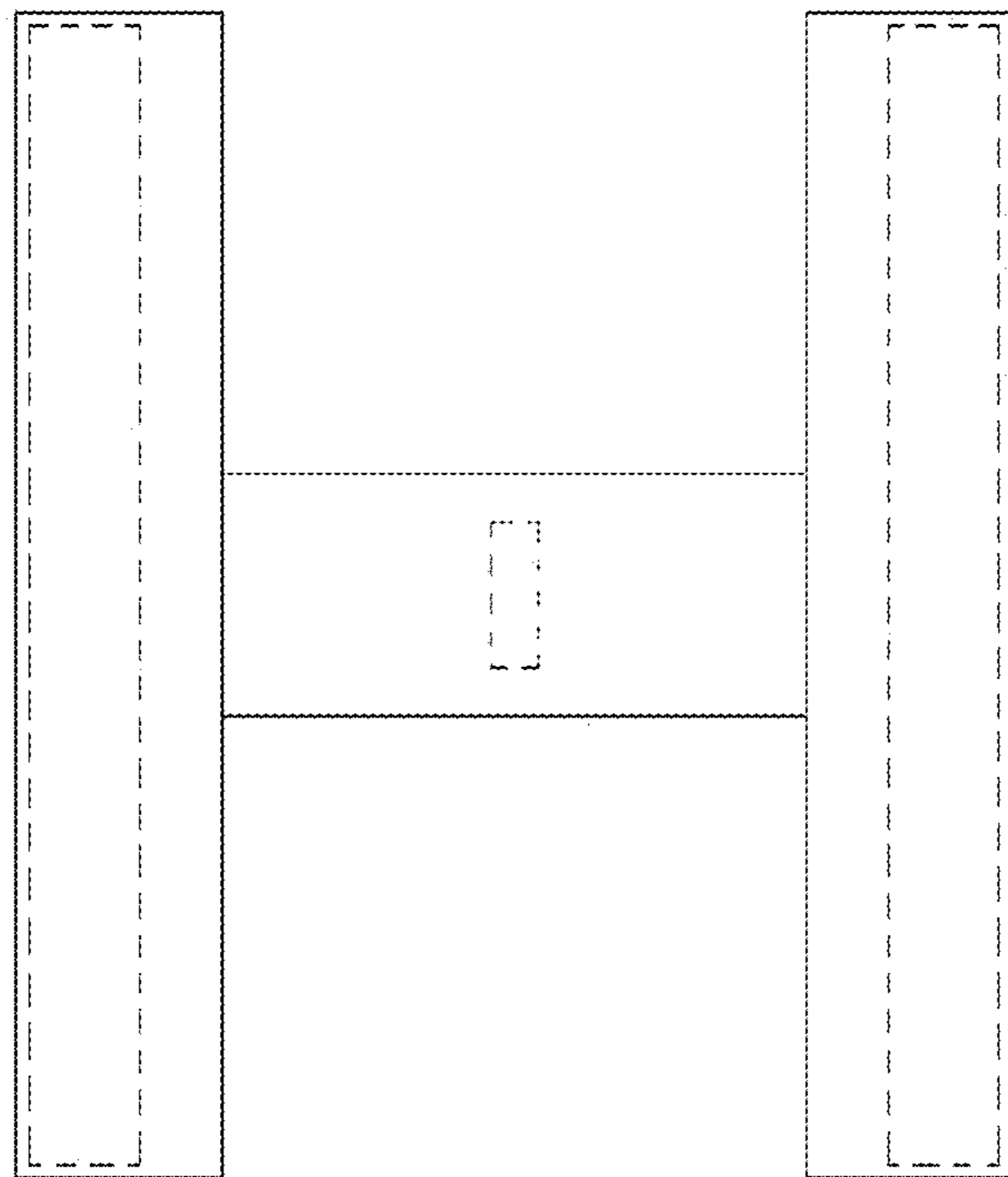


FIG. 4

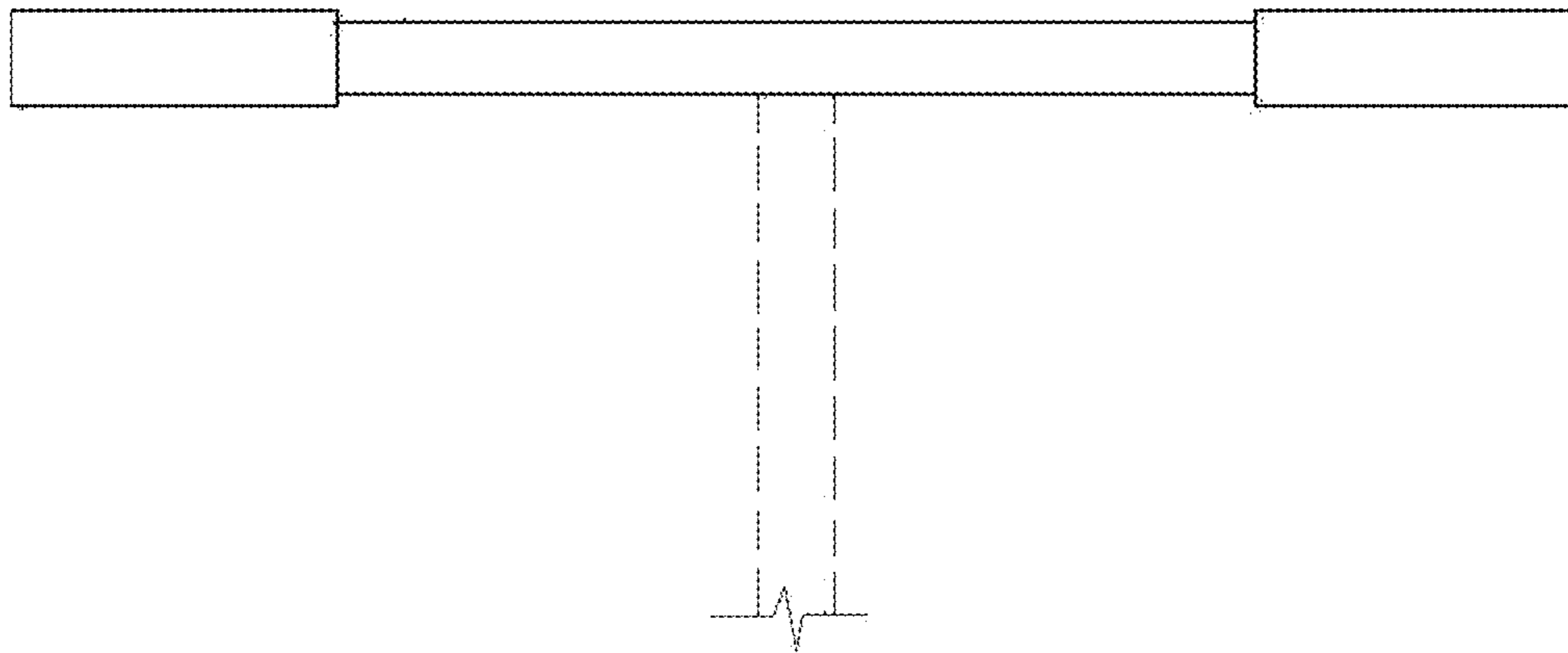


FIG. 5