



US00D869045S

(12) **United States Design Patent** (10) **Patent No.:** **US D869,045 S**
Pfund et al. (45) **Date of Patent:** **** Dec. 3, 2019**

- (54) **LUMINAIRE**
- (71) Applicant: **SYLVAN R. SHEMITZ DESIGNS, LLC**, West Haven, CT (US)
- (72) Inventors: **David R Pfund**, Woodbridge, CT (US); **Paul Ford**, Orange, CT (US)
- (73) Assignee: **SYLVAN R. SHEMITZ DESIGNS, LLC**, West Haven, CT (US)
- (**) Term: **15 Years**
- (21) Appl. No.: **29/621,114**
- (22) Filed: **Oct. 4, 2017**

D452,340 S *	12/2001	Pickett	D26/76
D556,362 S	11/2007	Pfund et al.		
D563,019 S *	2/2008	Pfund	D26/142
D564,692 S	3/2008	Pfund		
D565,234 S	3/2008	Pfund et al.		
D572,399 S	7/2008	Pfund		
D580,583 S	11/2008	Pfund		
D595,887 S *	7/2009	Blom	D26/51
D599,945 S	9/2009	Pfund		
D627,503 S	11/2010	Postelmans		
D632,422 S	2/2011	Van Den Akker		
D632,423 S	2/2011	Canfield		
D647,246 S *	10/2011	Chadwick	D26/138
D726,361 S *	4/2015	Rischau	D26/107
D732,602 S *	6/2015	Nokuo	D16/242
D747,539 S	1/2016	Santoro et al.		
D782,099 S *	3/2017	Orozco	D26/85
D791,383 S *	7/2017	Yu	D26/76
D801,570 S *	10/2017	Grandsart	D26/76
D802,198 S *	11/2017	Pfund	D26/76
D802,818 S *	11/2017	Pfund	D26/76
D805,233 S *	12/2017	Verfuerth	D26/76

Related U.S. Application Data

- (62) Division of application No. 29/529,061, filed on Jun. 3, 2015, now Pat. No. Des. 802,818.

- (51) **LOC (12) Cl.** **26-04**
- (52) **U.S. Cl.**

USPC **D26/76**

(58) **Field of Classification Search**

USPC D26/72, 74, 76, 78-83, 85, 86, 88, 90, D26/93, 111, 113, 118, 119, 120, 121, D26/122, 138, 139, 140, 141, 142, 152
 CPC F21S 2/00; F21S 4/00; F21S 4/003; F21S 4/005; F21S 4/006; F21S 4/007; F21S 4/008; F21S 6/00; F21S 8/00; F21S 8/024; F21S 8/026; F21S 8/031; F21S 8/033; F21S 8/035-8/037; F21S 8/04; F21S 8/043; F21S 8/063

See application file for complete search history.

(56) **References Cited**

U.S. PATENT DOCUMENTS

- D191,628 S 10/1961 Muller et al.
- D418,936 S * 1/2000 Dunning D26/3

(Continued)

Primary Examiner — Natasha Vujcic

(74) *Attorney, Agent, or Firm* — Cantor Colburn LLP

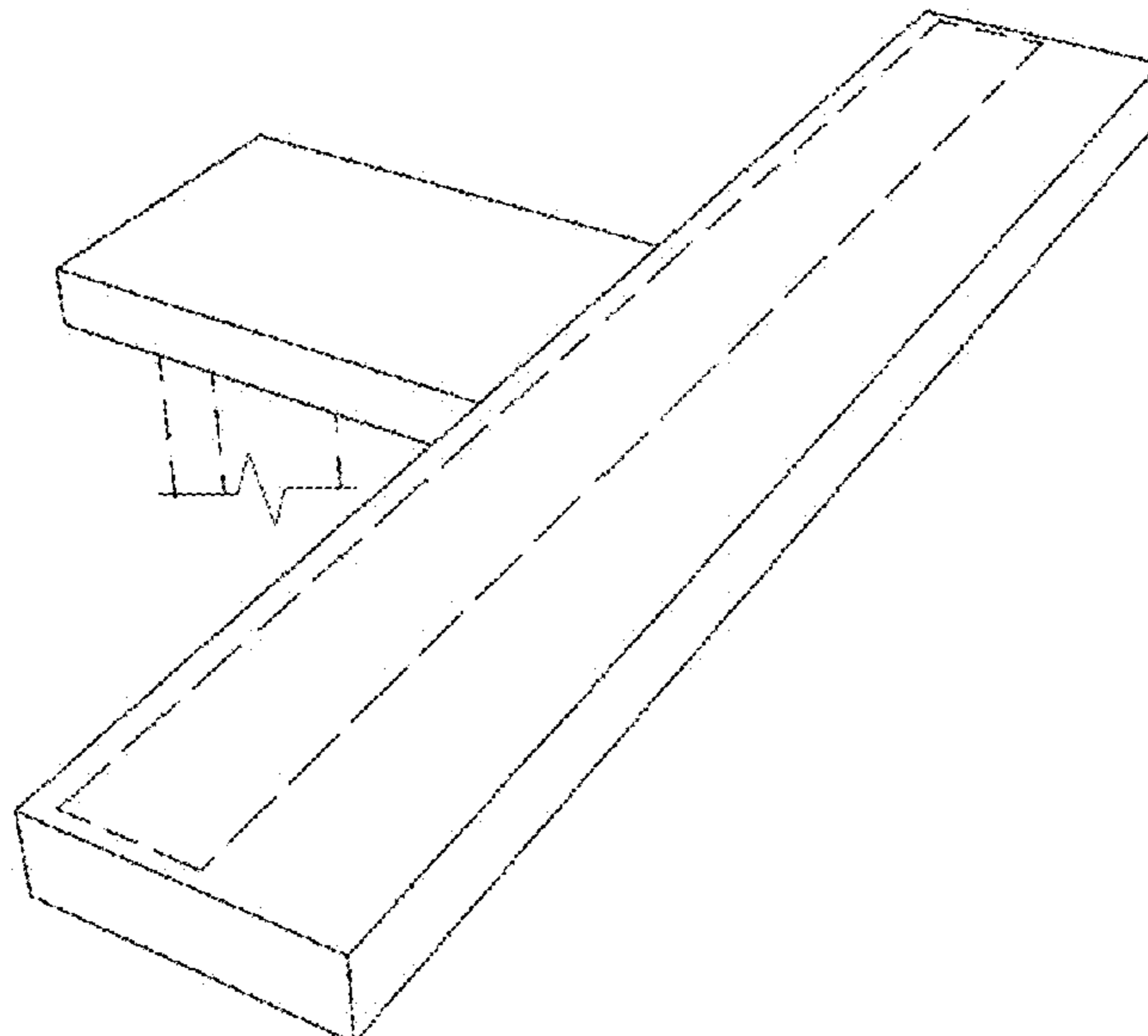
(57) **CLAIM**

We claim, the ornamental design for a luminaire, as shown and described.

DESCRIPTION

FIG. 1 is a top perspective view of a luminaire showing our new design;
 FIG. 2 is a bottom perspective view thereof;
 FIG. 3 is a top plan view thereof;
 FIG. 4 is a bottom plan view thereof;
 FIG. 5 is a side elevation view thereof, the opposite side being a mirror image thereof; and,
 FIG. 6 is a rear elevation view thereof.
 The broken lines in the drawings illustrate portions of the Luminaire which form no part of the claimed design.

1 Claim, 3 Drawing Sheets



(56)

References Cited

U.S. PATENT DOCUMENTS

D824,075 S * 7/2018 Yu D26/76
10,041,662 B2 * 8/2018 Sonneman F21S 4/28
D846,786 S * 4/2019 Tremaine D26/76
2006/0232981 A1 10/2006 Pfund et al.

* cited by examiner

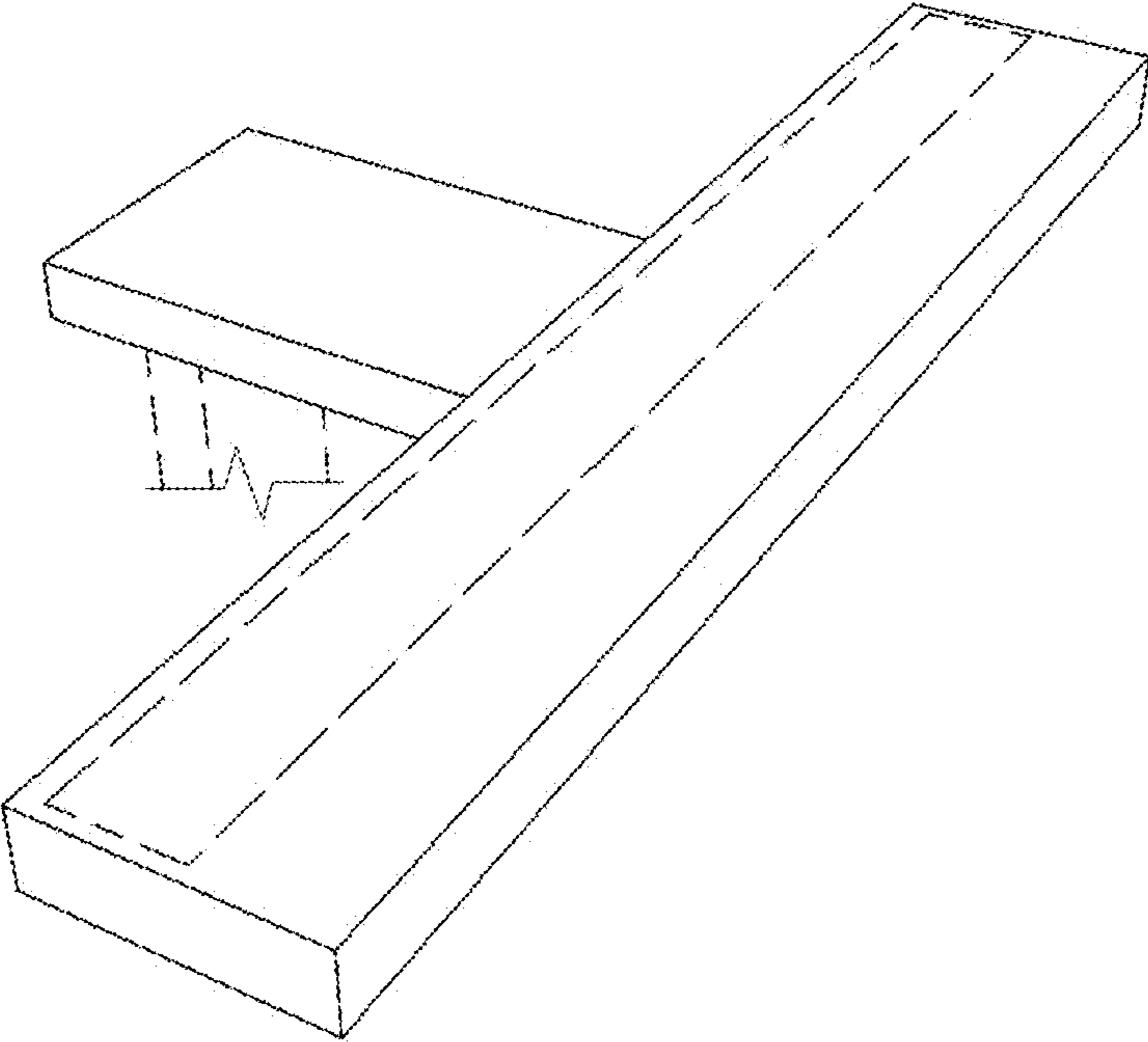


FIG. 1

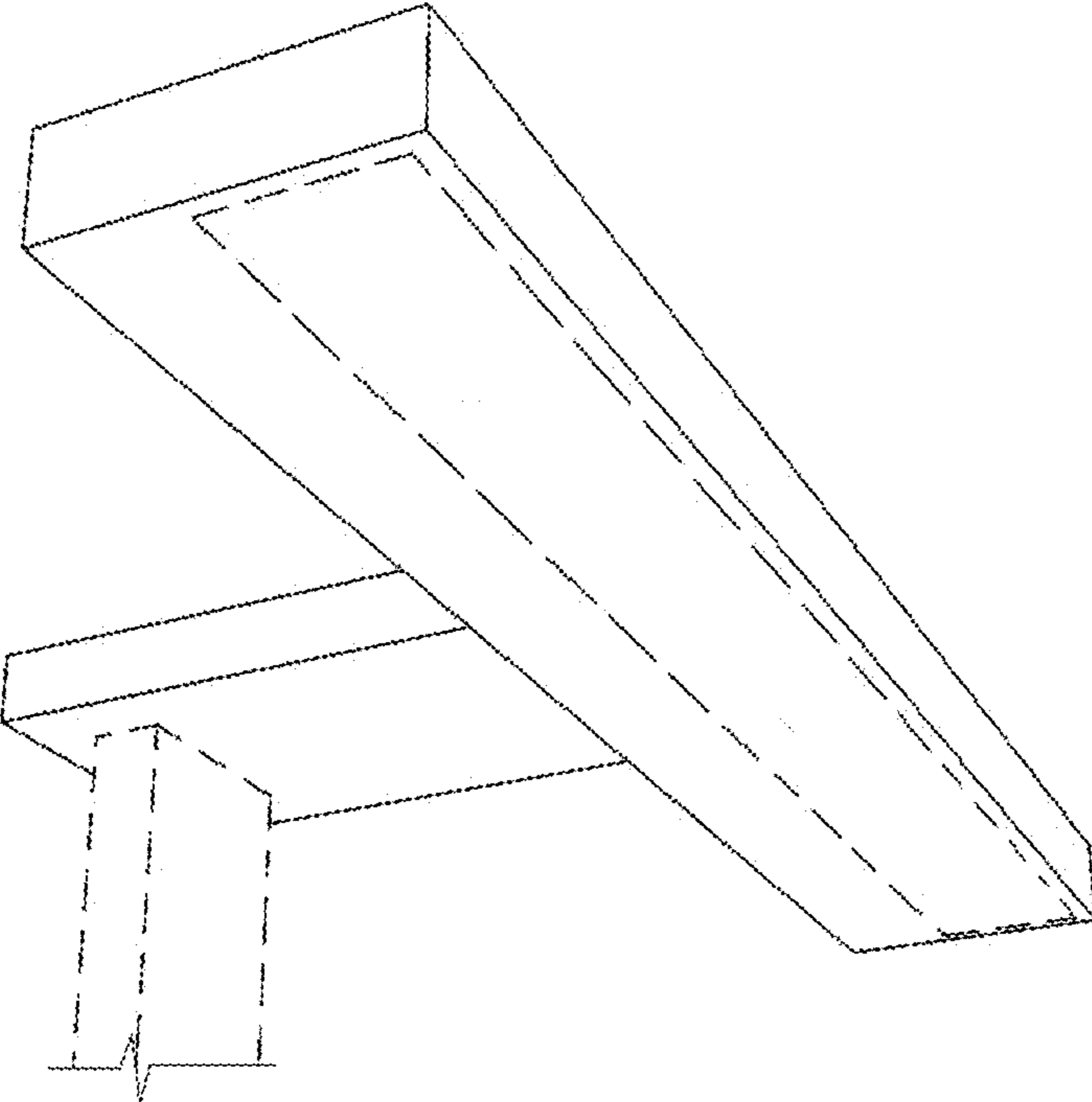


FIG. 2

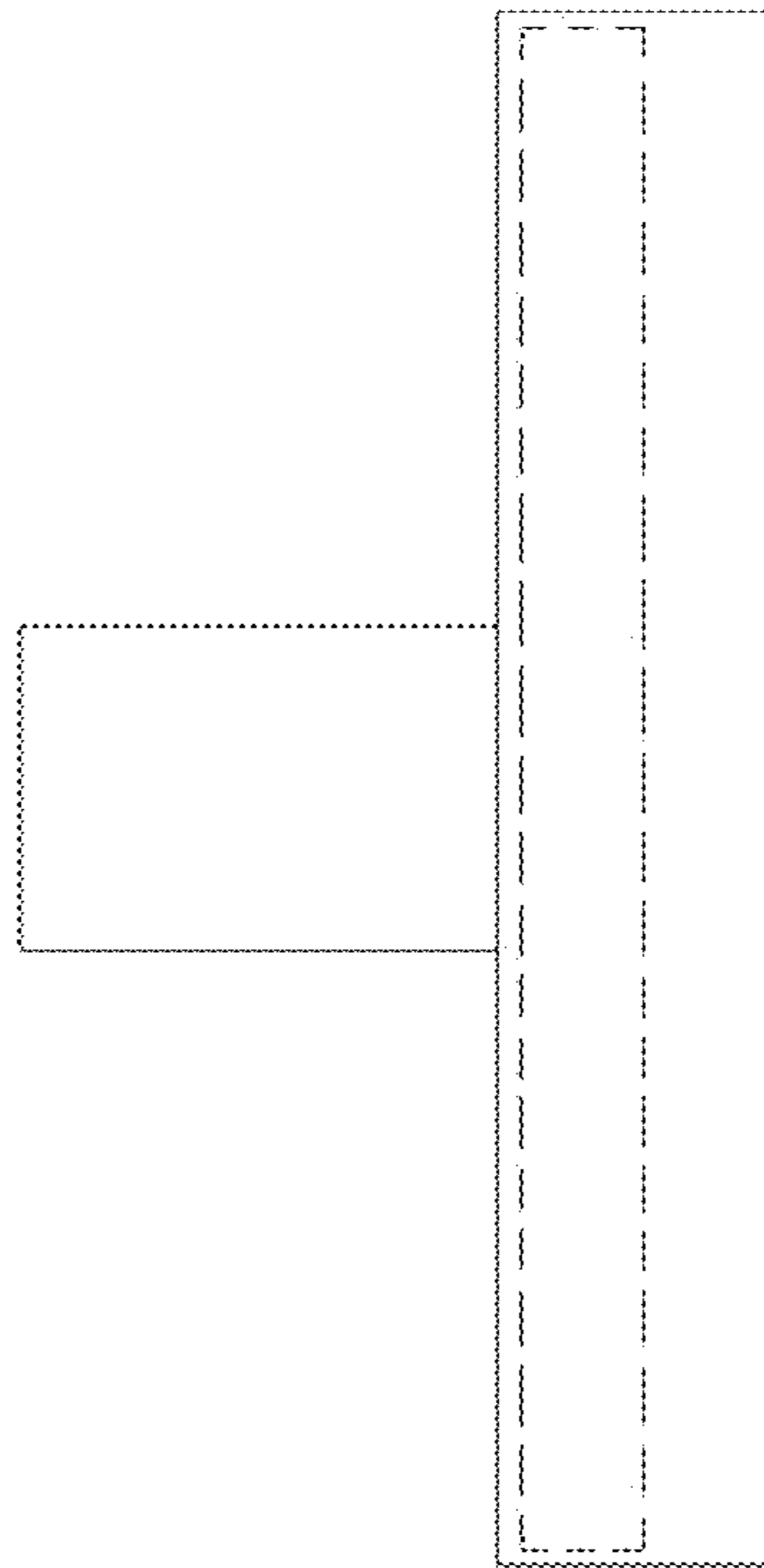


FIG. 3

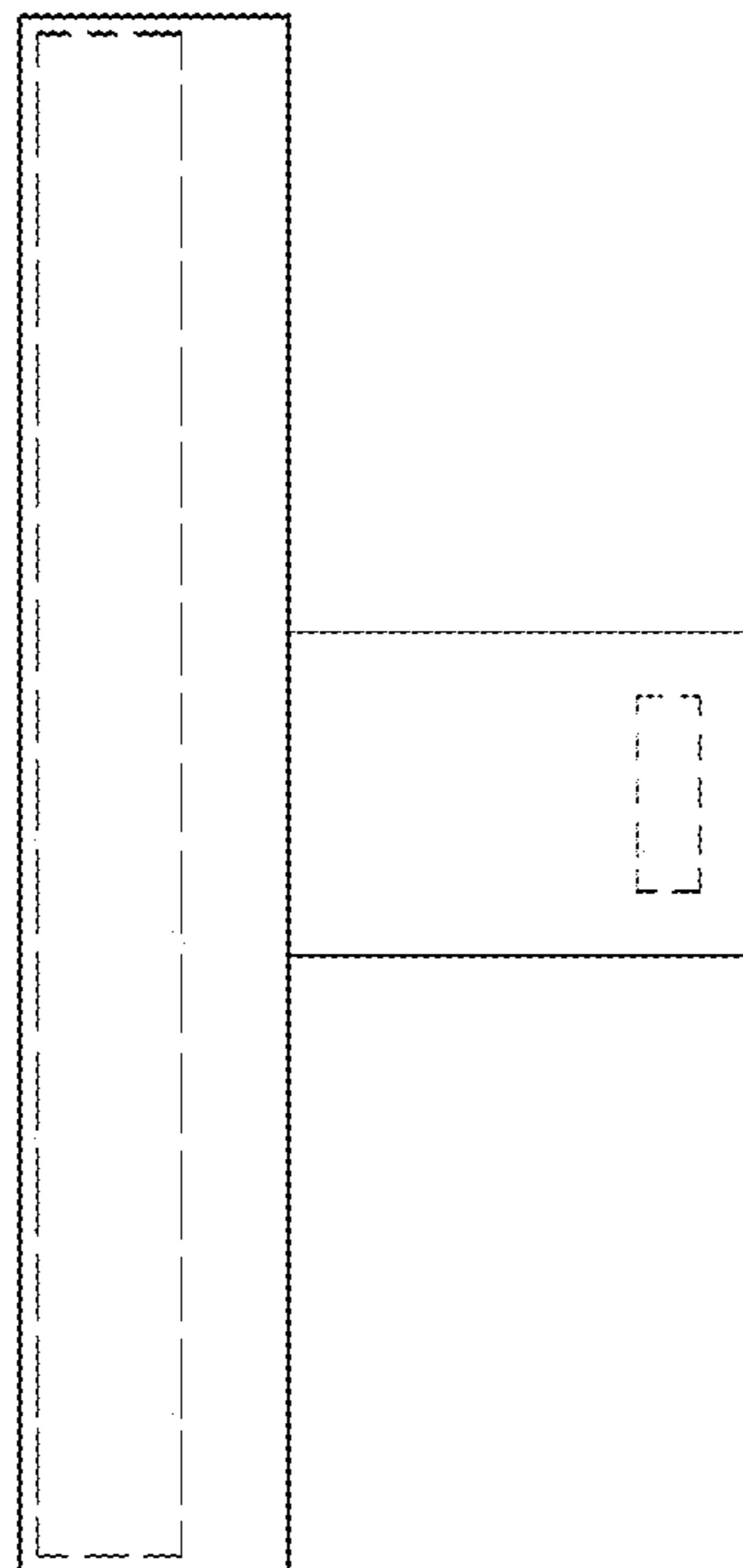


FIG. 4

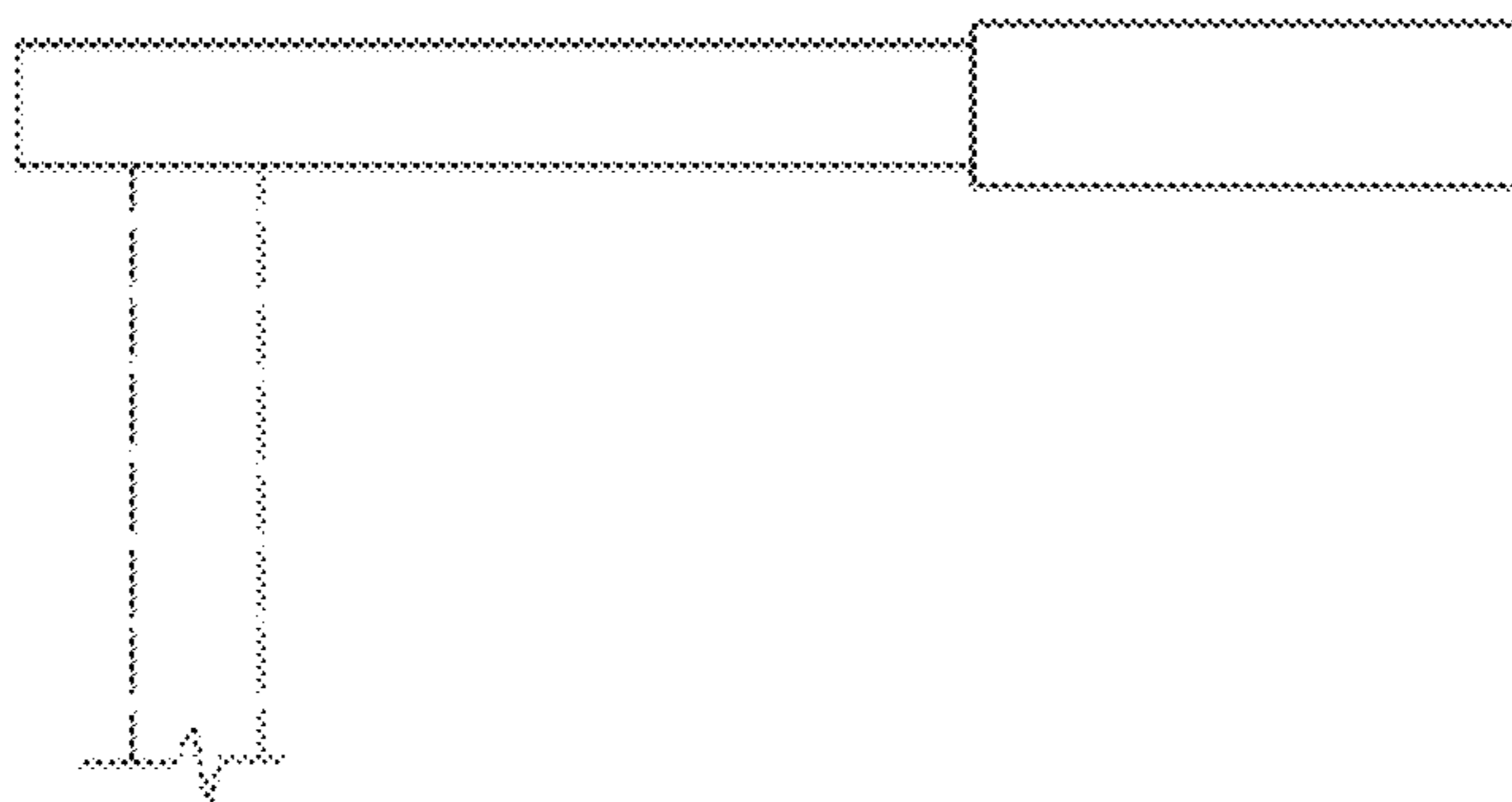


FIG. 5

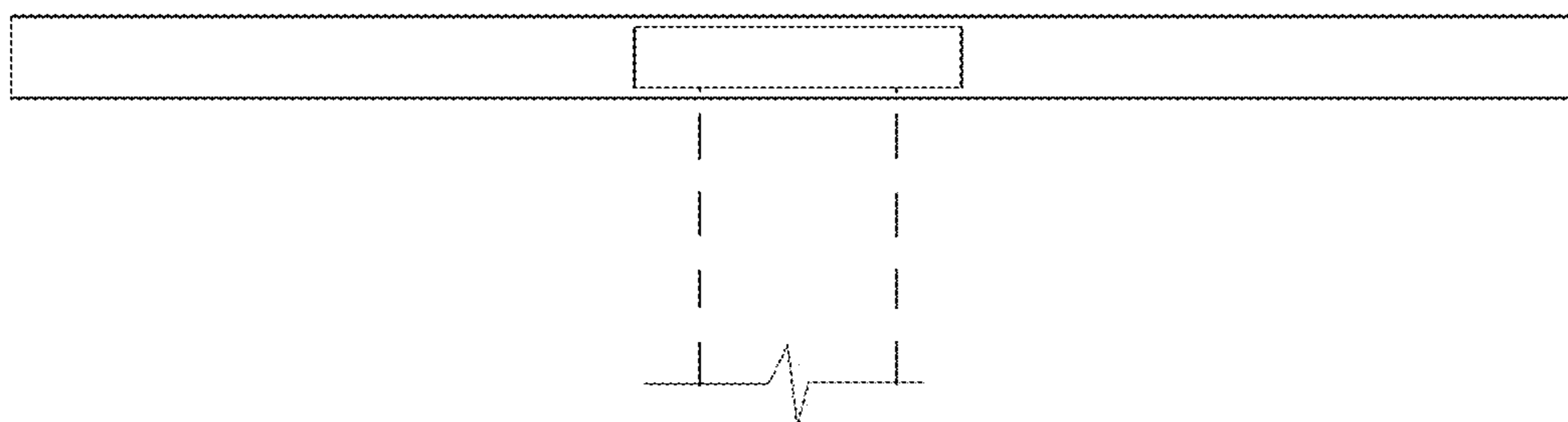


FIG. 6