



US00D869042S

(12) **United States Design Patent** (10) **Patent No.:** **US D869,042 S**  
**Zhou** (45) **Date of Patent:** **\*\* Dec. 3, 2019**

(54) **SOLAR STREET LAMP**

(71) Applicant: **DONGGUAN THAILIGHT SEMICONDUCTOR LIGHTING CO., LTD**, Dongguan, Guangdong (CN)

(72) Inventor: **Wenbo Zhou**, Guangdong (CN)

(73) Assignee: **DONGGUAN THAILIGHT SEMICONDUCTOR LIGHTING CO., LTD**, Dongguan (CN)

(\*\*) Term: **15 Years**

(21) Appl. No.: **29/633,536**

(22) Filed: **Jan. 15, 2018**

(30) **Foreign Application Priority Data**

Sep. 8, 2017 (CN) ..... 2017 3 0425949

(51) **LOC (12) Cl.** ..... **26-03**

(52) **U.S. Cl.**  
USPC ..... **D26/71**

(58) **Field of Classification Search**  
USPC ..... D26/26, 67-72, 76, 80, 81, 85-88, 92, D26/154  
CPC .... F21S 8/032; F21S 9/03; F21S 9/032; F21S 9/035; F21S 9/037; F21W 2131/10; F21W 2131/103; F21W 2131/107; F21W 2131/109

See application file for complete search history.

(56) **References Cited**

U.S. PATENT DOCUMENTS

|              |    |   |         |             |       |              |
|--------------|----|---|---------|-------------|-------|--------------|
| D637,336     | S  | * | 5/2011  | Van Klinken | ..... | D26/71       |
| D664,697     | S  | * | 7/2012  | Piano       | ..... | D26/71       |
| D676,589     | S  | * | 2/2013  | Elam        | ..... | D26/71       |
| D773,096     | S  | * | 11/2016 | Zhu         | ..... | D26/71       |
| D818,173     | S  | * | 5/2018  | Wan         | ..... | D26/71       |
| D839,464     | S  | * | 1/2019  | Chen        | ..... | D26/71       |
| D851,801     | S  | * | 6/2019  | Ni          | ..... | D26/71       |
| D851,802     | S  | * | 6/2019  | Ni          | ..... | D26/71       |
| 2019/0078741 | A1 | * | 3/2019  | Zhou        | ..... | F21V 23/0471 |

\* cited by examiner

*Primary Examiner* — Cathron C Brooks

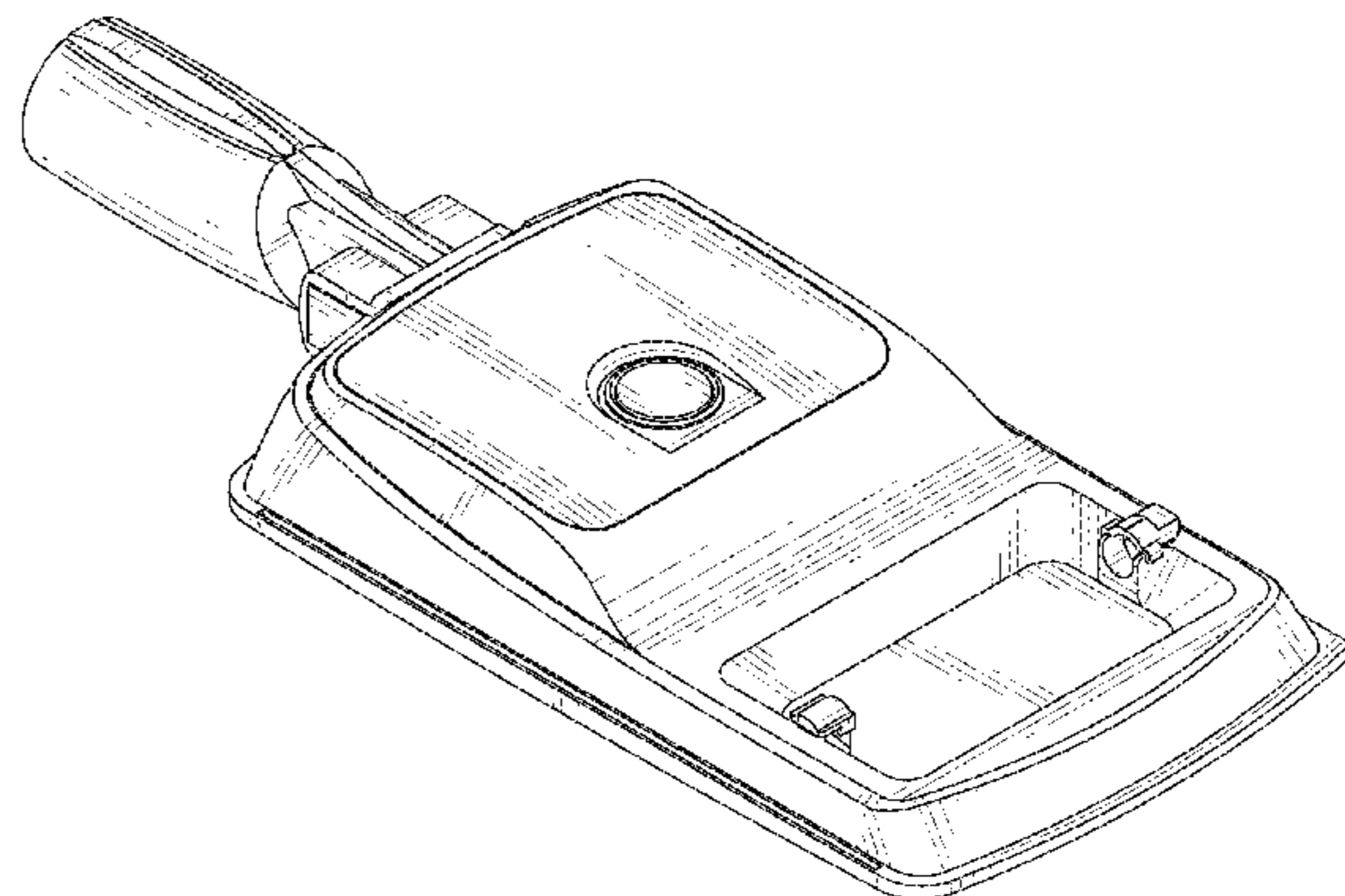
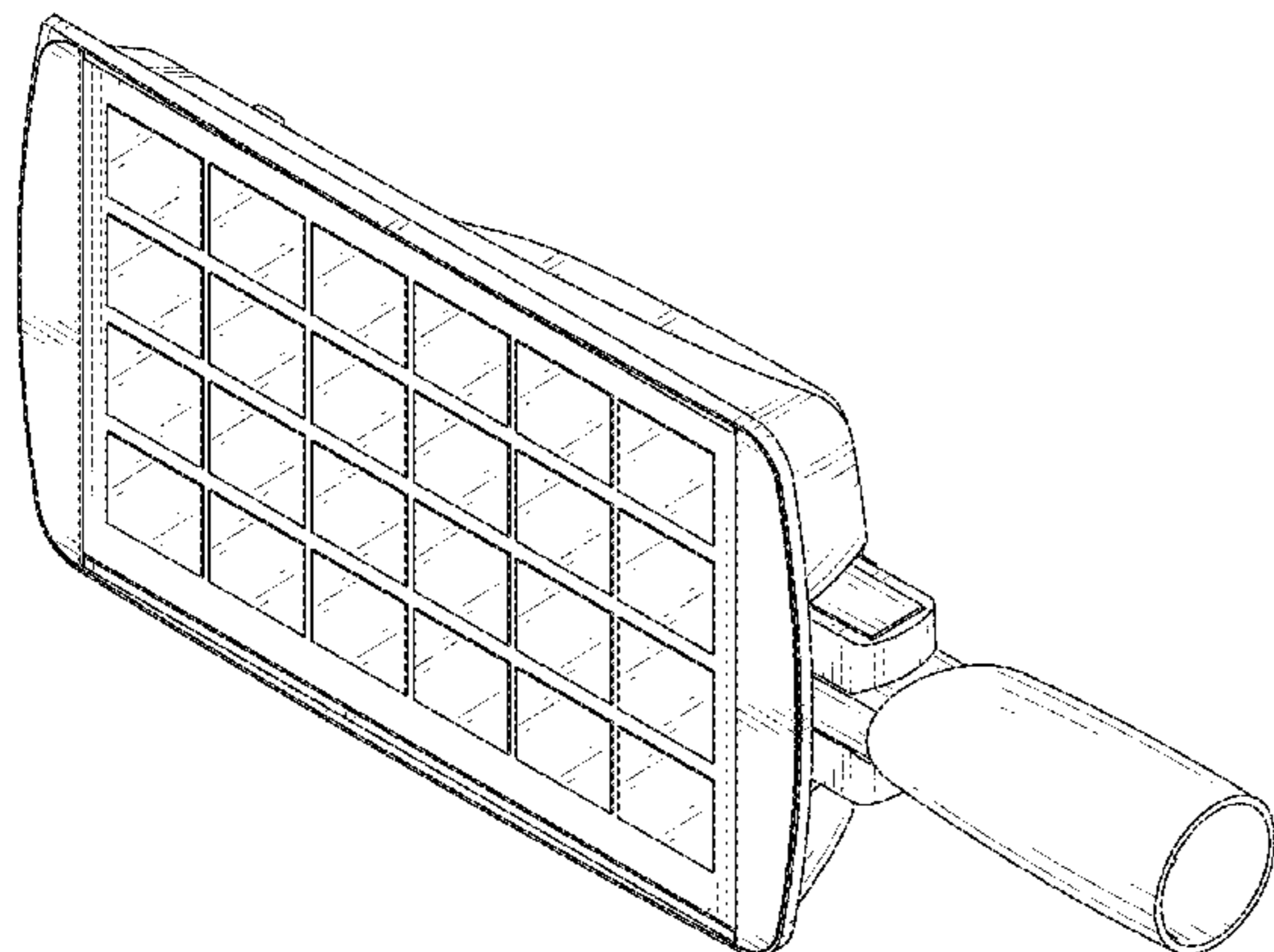
(57) **CLAIM**

The ornamental design for a solar street lamp, as shown and described.

**DESCRIPTION**

FIG. 1 is a first perspective view of a solar street lamp showing my new design;  
FIG. 2 is a second perspective view thereof;  
FIG. 3 is a front elevational view thereof;  
FIG. 4 is a rear elevational view thereof;  
FIG. 5 is a left side view thereof;  
FIG. 6 is a right side view thereof;  
FIG. 7 is a top plan view thereof; and,  
FIG. 8 is a bottom plan view thereof.  
The broken lines in the drawings illustrate portions of the solar street lamp which form no part of the claimed design. The diagonal lines in the drawings indicate transparency.

**1 Claim, 8 Drawing Sheets**



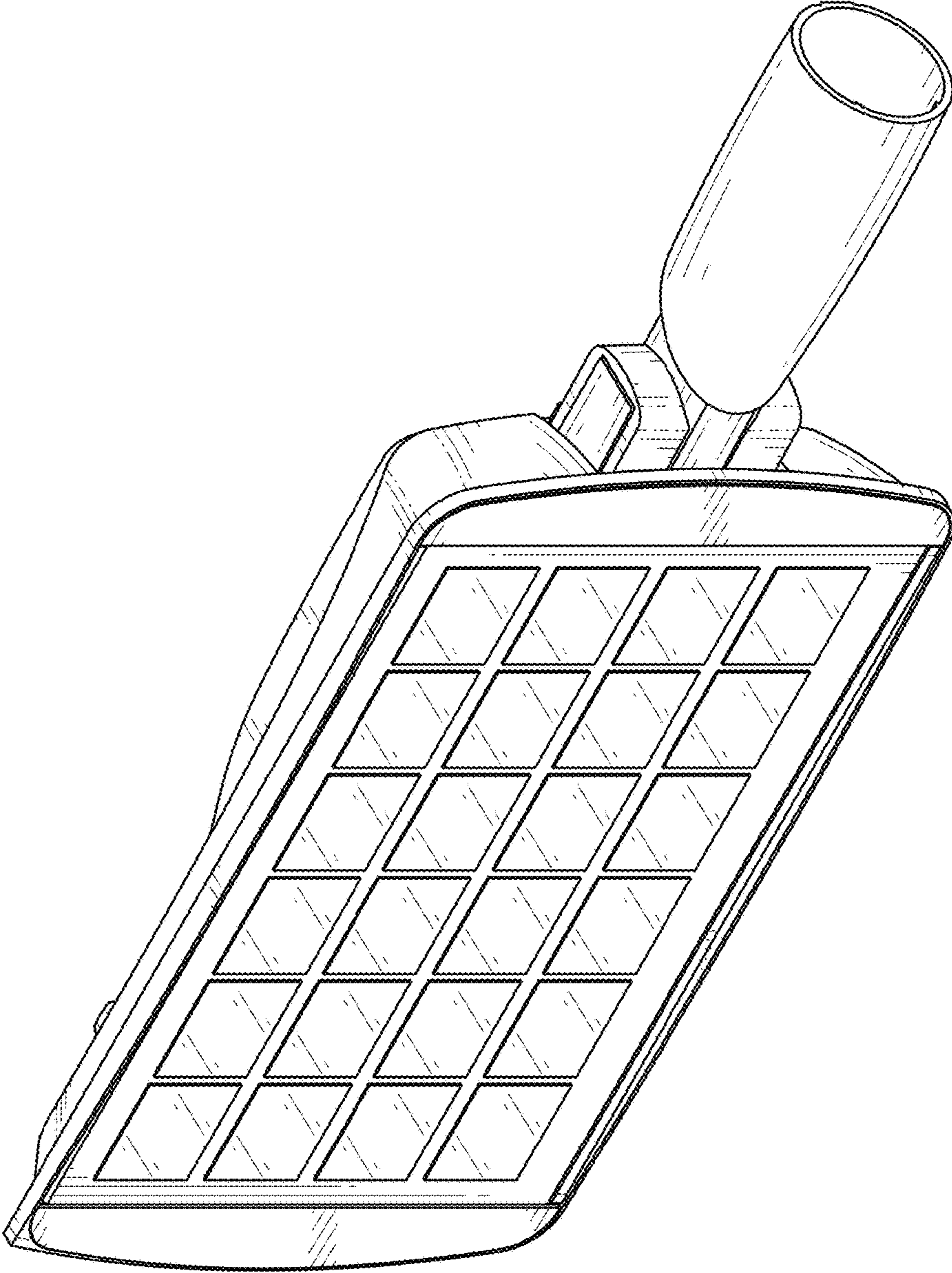


FIG. 1

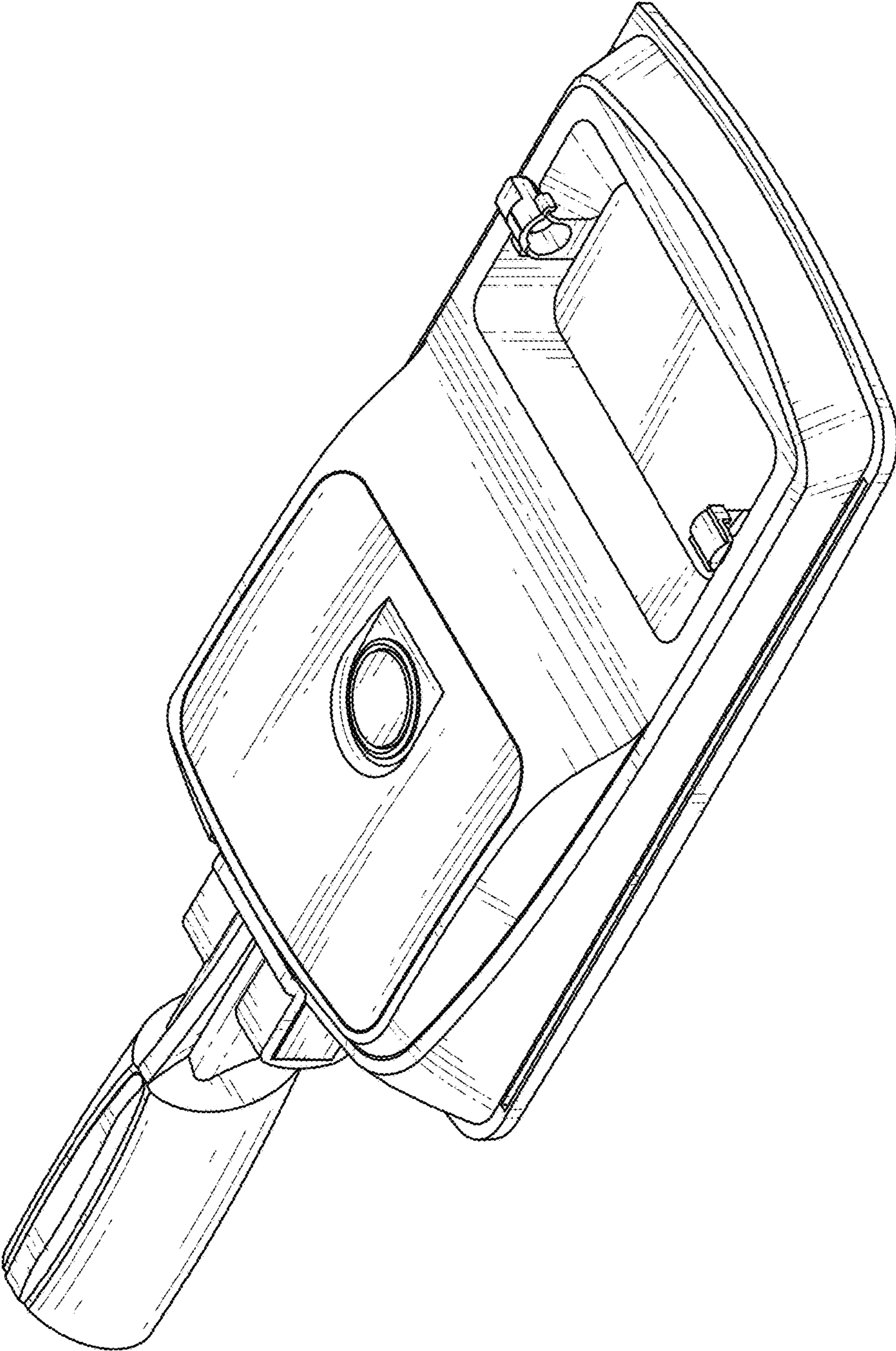


FIG. 2

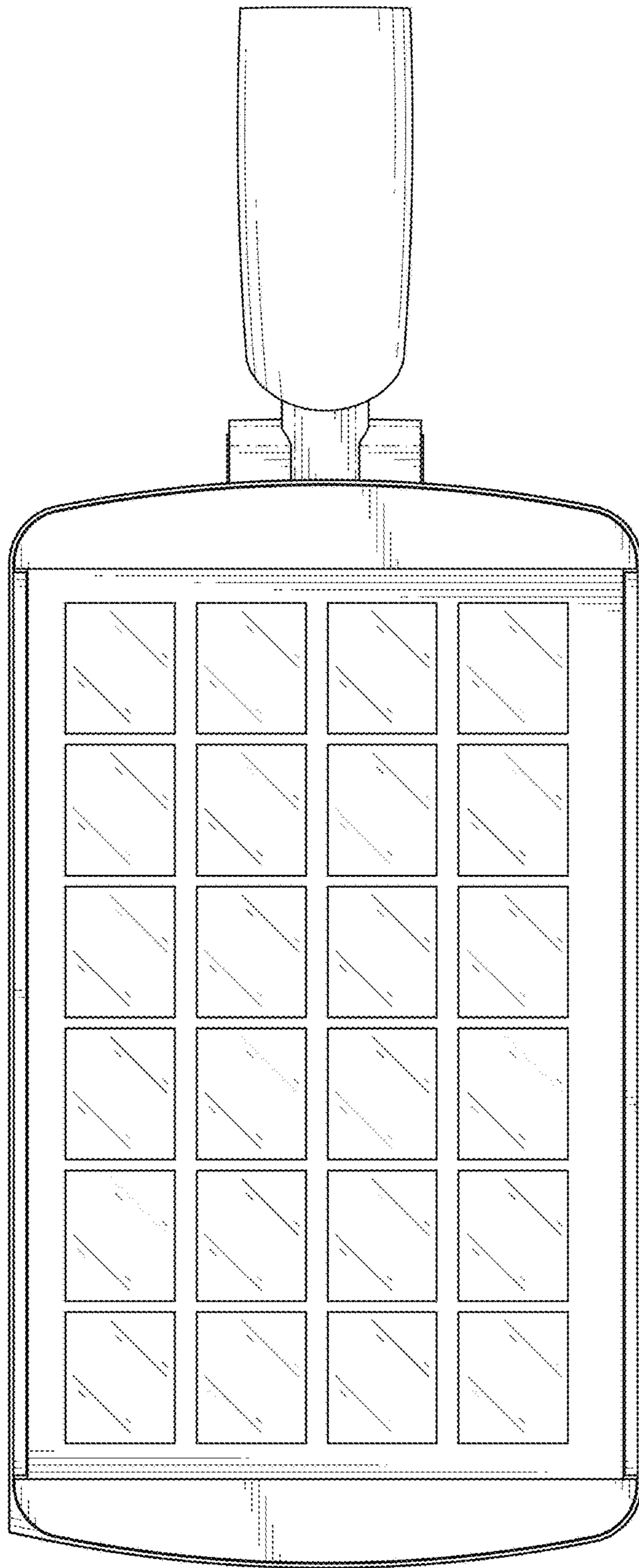


FIG. 3

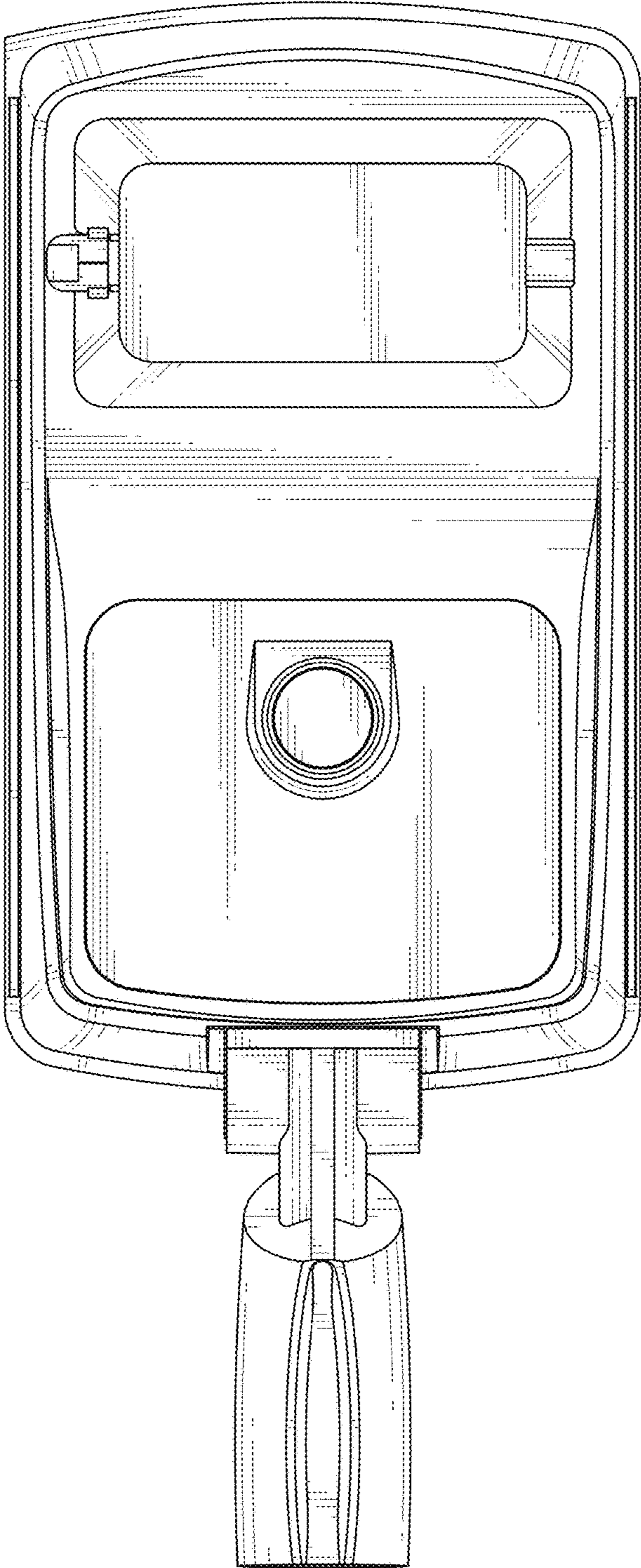


FIG. 4

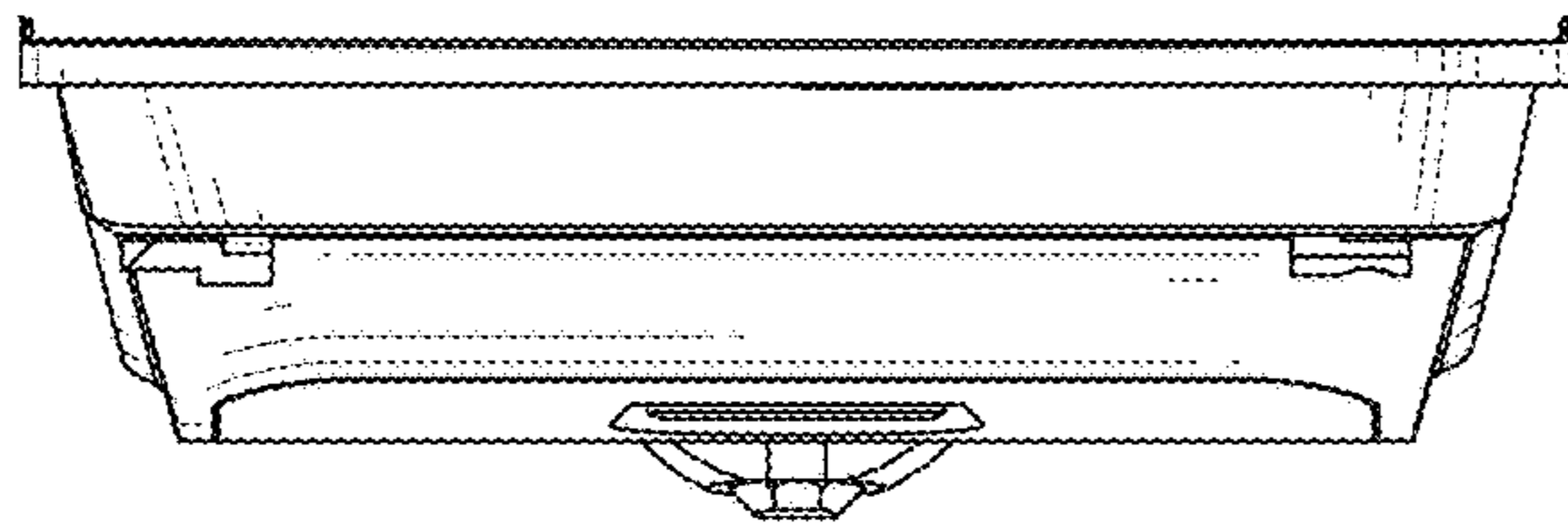


FIG. 5

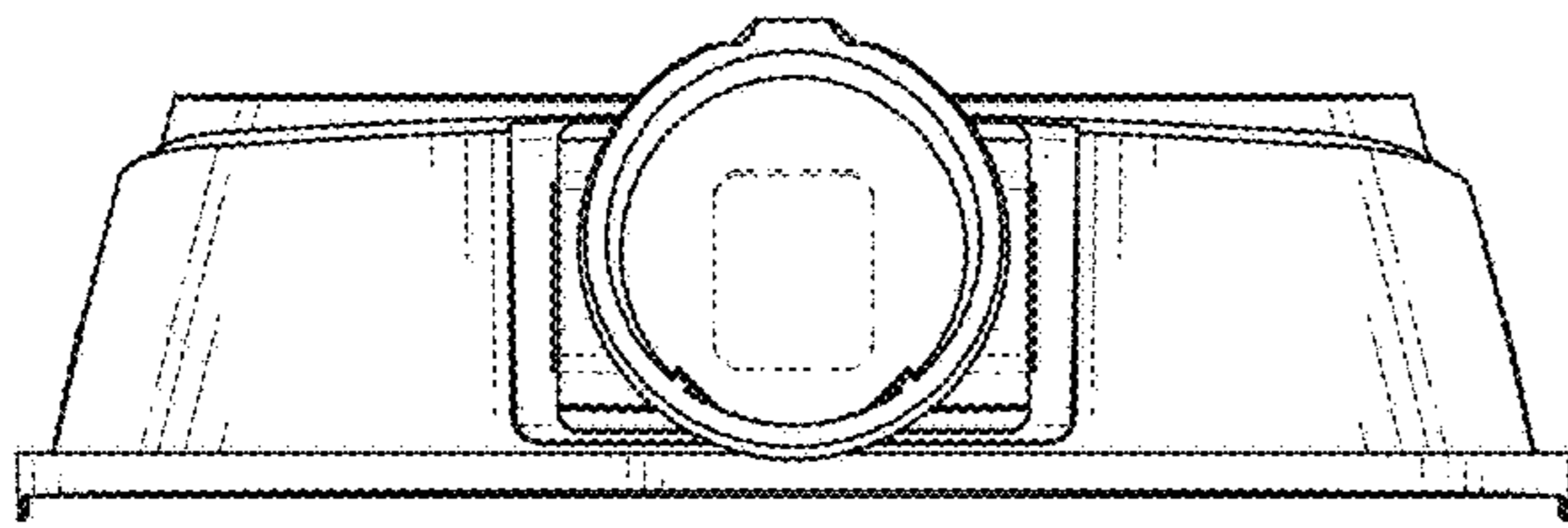


FIG. 6

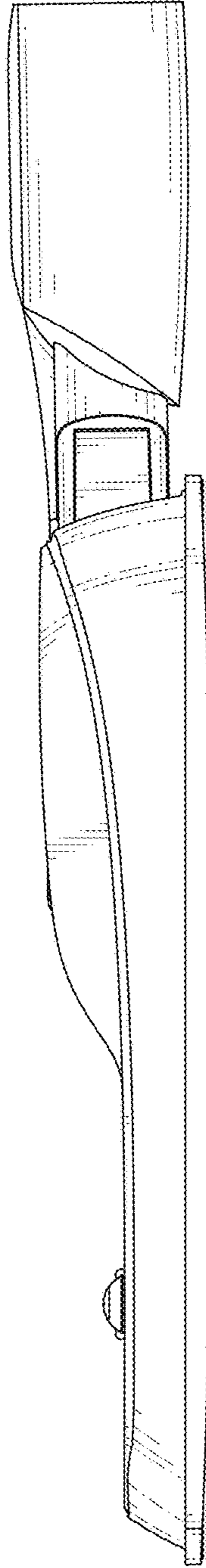


FIG. 7



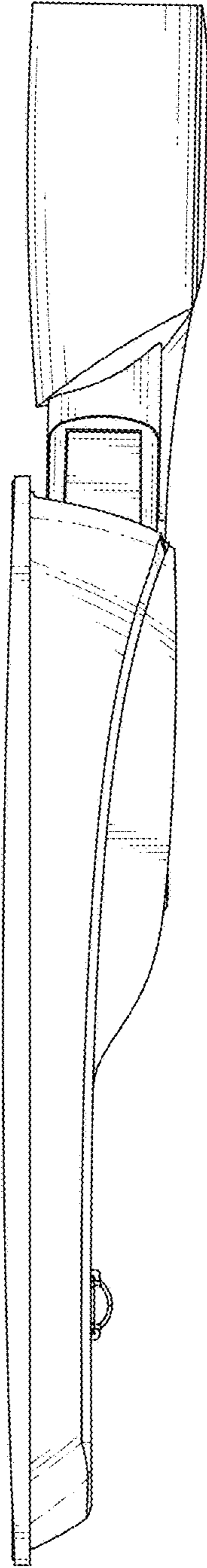


FIG. 8