



US00D869041S

(12) **United States Design Patent**  
**Yan**

(10) **Patent No.:** **US D869,041 S**

(45) **Date of Patent:** **\*\* Dec. 3, 2019**

(54) **SOLAR ENERGY LAWN LAMP**

(71) Applicant: **Wei Yan**, Zhejiang (CN)

(72) Inventor: **Wei Yan**, Zhejiang (CN)

(\*\*) Term: **15 Years**

(21) Appl. No.: **29/654,836**

(22) Filed: **Jun. 27, 2018**

(51) **LOC (12) Cl.** ..... **D26-05**

(52) **U.S. Cl.**  
USPC ..... **D26/68; D26/67**

(58) **Field of Classification Search**  
USPC ..... D26/67-71; D25/135  
CPC .... F21S 8/08; F21S 8/081; F21S 8/083; F21S  
8/088; F21S 9/03; F21S 9/037; F21V  
21/0824; F21W 2111/023; F21W 2111/02;  
F21W 2131/109

See application file for complete search history.

(56) **References Cited**

**U.S. PATENT DOCUMENTS**

3,866,034	A *	2/1975	Russo	.....	F21S 8/081 362/152
D497,021	S *	10/2004	Pu	.....	D26/67
6,945,730	B1 *	9/2005	Lobban	.....	E01F 15/141 116/63 P
D515,723	S *	2/2006	Chen	.....	D26/2
7,517,088	B1 *	4/2009	Kretschmar	.....	F21V 9/08 353/100
D626,676	S *	11/2010	Johnson	.....	D26/67
D657,087	S *	4/2012	Krogman	.....	D26/68
D694,933	S *	12/2013	Meyer	.....	D26/67
2008/0291674	A1 *	11/2008	Welsh, Jr.	.....	F21V 14/06 362/236
2018/0231195	A1 *	8/2018	Hoffman	.....	F21L 4/08
2018/0306424	A1 *	10/2018	Van De Sluis	.....	F21V 23/0414

**OTHER PUBLICATIONS**

Intermatic CL635R Malibu Low Voltage Metal Capped 20-Watt Landscape Bollard Light, by INERMATIC. Date first available at amazon.com—Jun. 30, 2006. (Year: 2006).\*

Progress Lighting fixture No. P350145-015—“Signal”. Spec sheet from progresslighting.com dated May 2019. (Year: 2019).\*

Sunwind LED Solar Pathway Lights—6 Pack Silver Stainless Steel Solar Landscape Lights, Garden, Outdoor, Bollard, Decorative Lighting for Path/Yard/Garden/Patio/Lawn/Home. At amazon.com at least as early as Oct. 22, 2018. (Year: 2018).\*

Adecorty Solar Garden lights—Bright Solar Pathway Light Outdoor Waterproof Solar Stake Lights Auto on/Off Sun Powered Landscape Lighting for Yard, Patio, Lawn, Path, Walkway, or Driveway. First available at amazon.com May 23, 2019. (Year: 2019).\*

\* cited by examiner

*Primary Examiner* — Clare E Heflin

(57) **CLAIM**

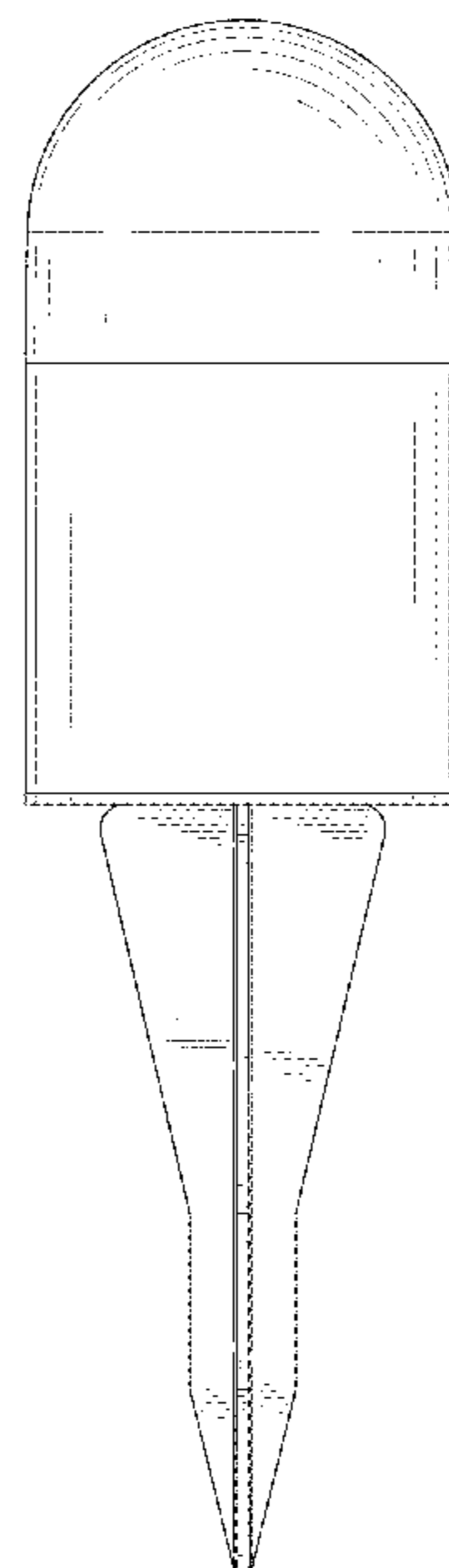
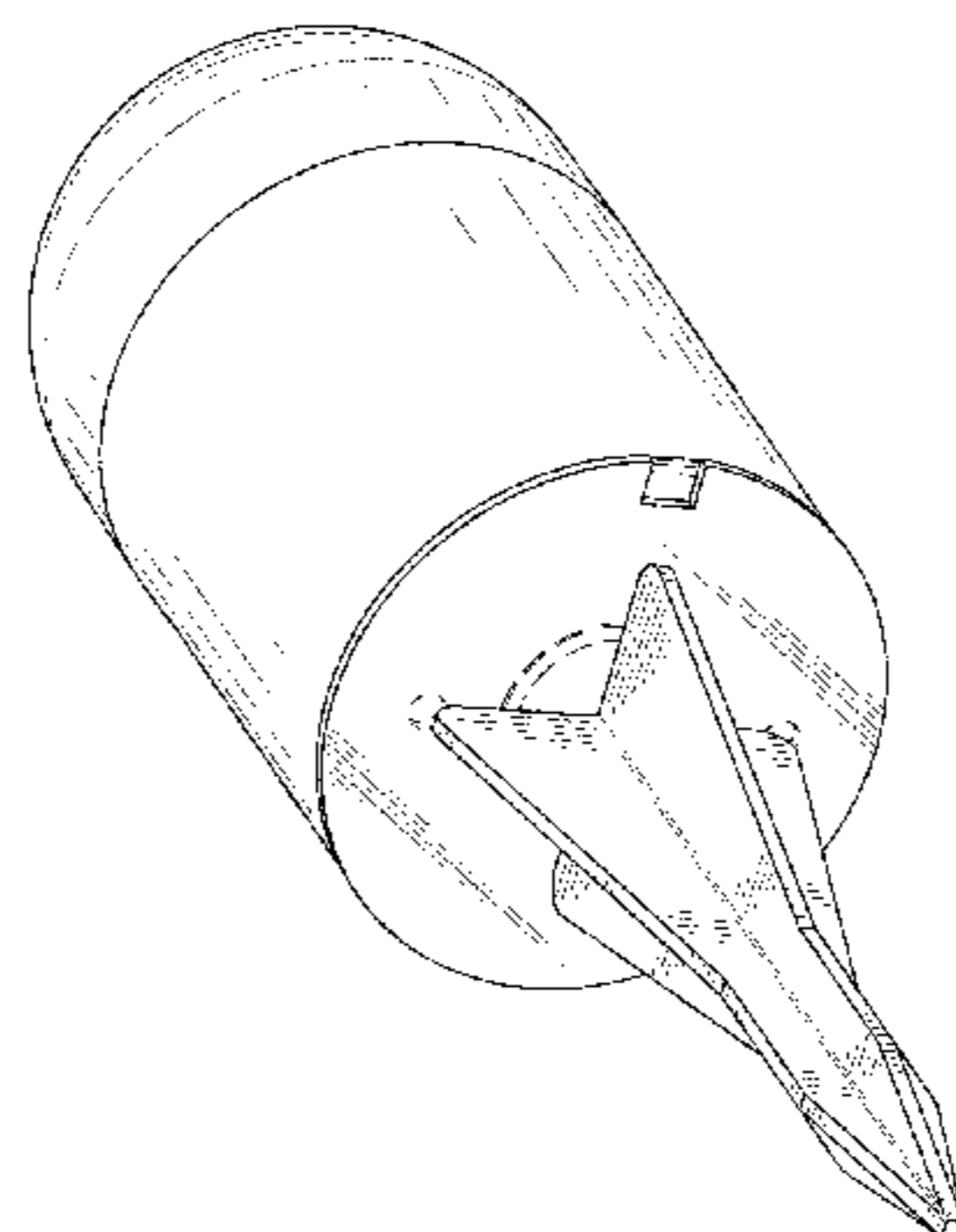
The ornamental design for a solar energy lawn lamp, as shown and described.

**DESCRIPTION**

FIG. 1 is a perspective view of a solar energy lawn lamp showing my new design;  
FIG. 2 is a front elevational view thereof;  
FIG. 3 is a rear elevational view thereof;  
FIG. 4 is a left side view thereof;  
FIG. 5 is a right side view thereof;  
FIG. 6 is a top plan view thereof; and,  
FIG. 7 is a bottom plan view thereof.

The broken lines in the drawings illustrate portions of the solar energy lawn lamp which form no part of the claimed design.

**1 Claim, 7 Drawing Sheets**



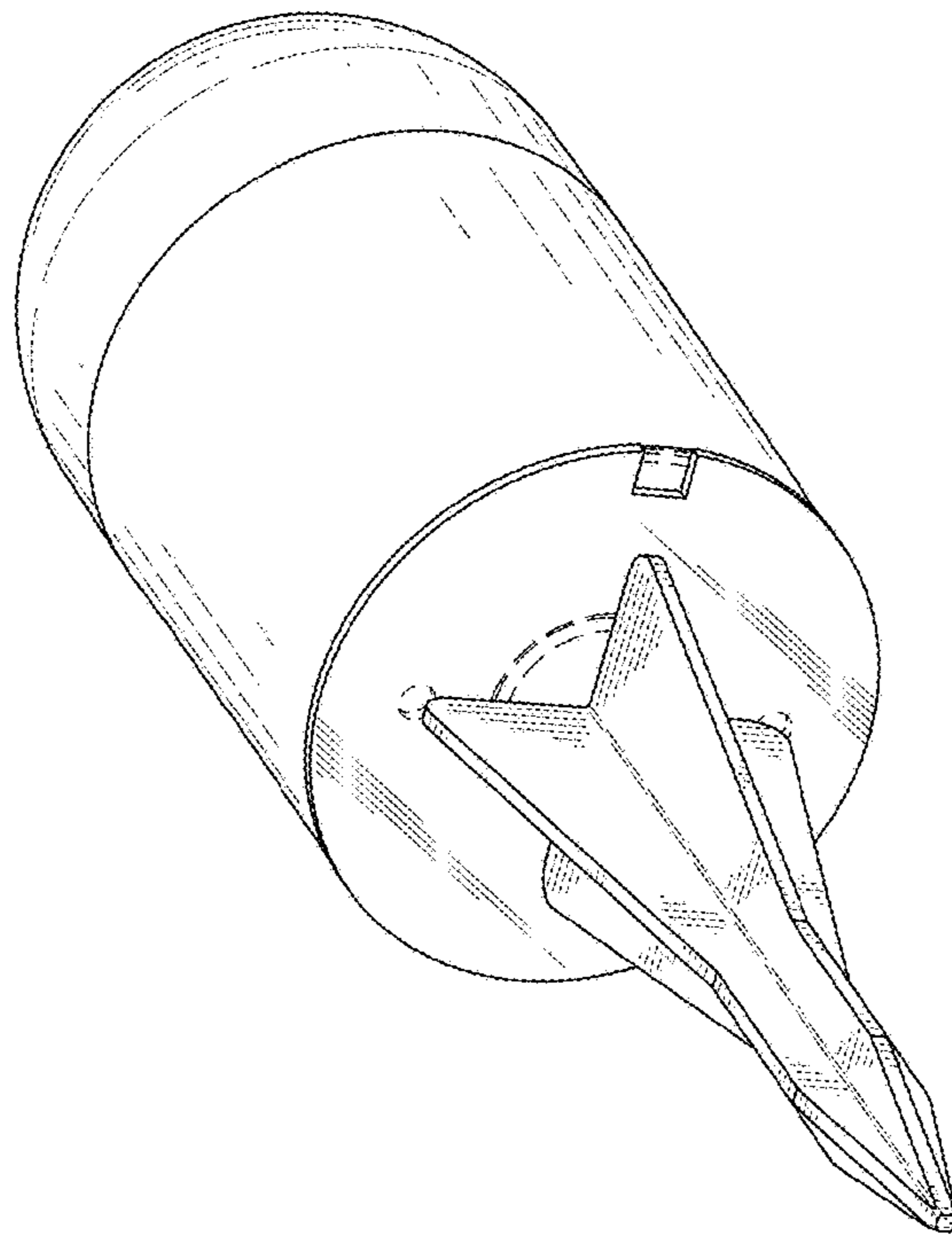


FIG. 1

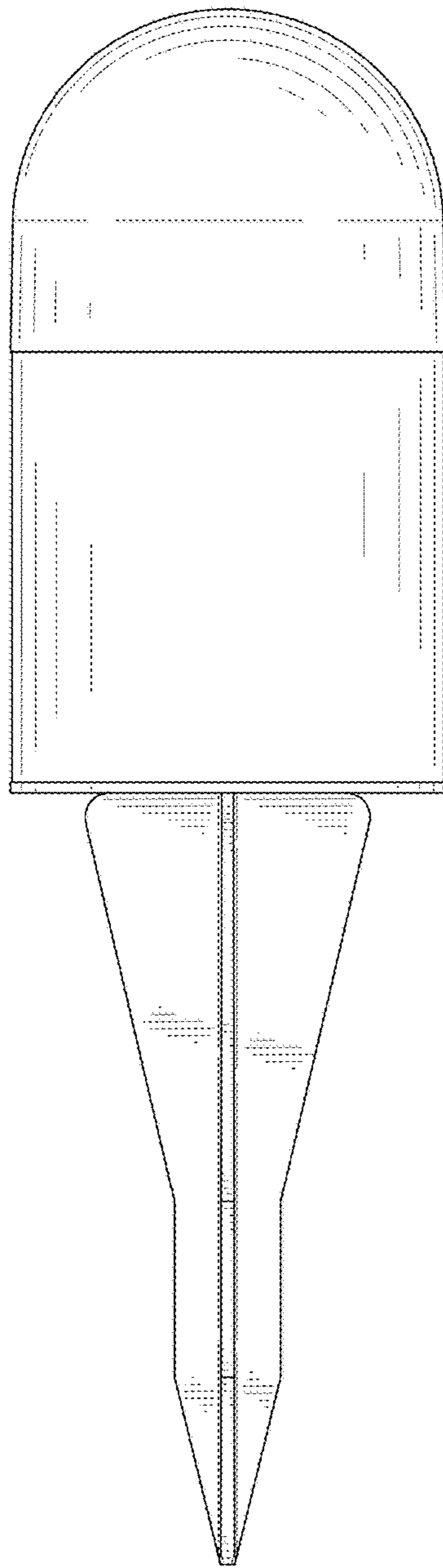


FIG. 2

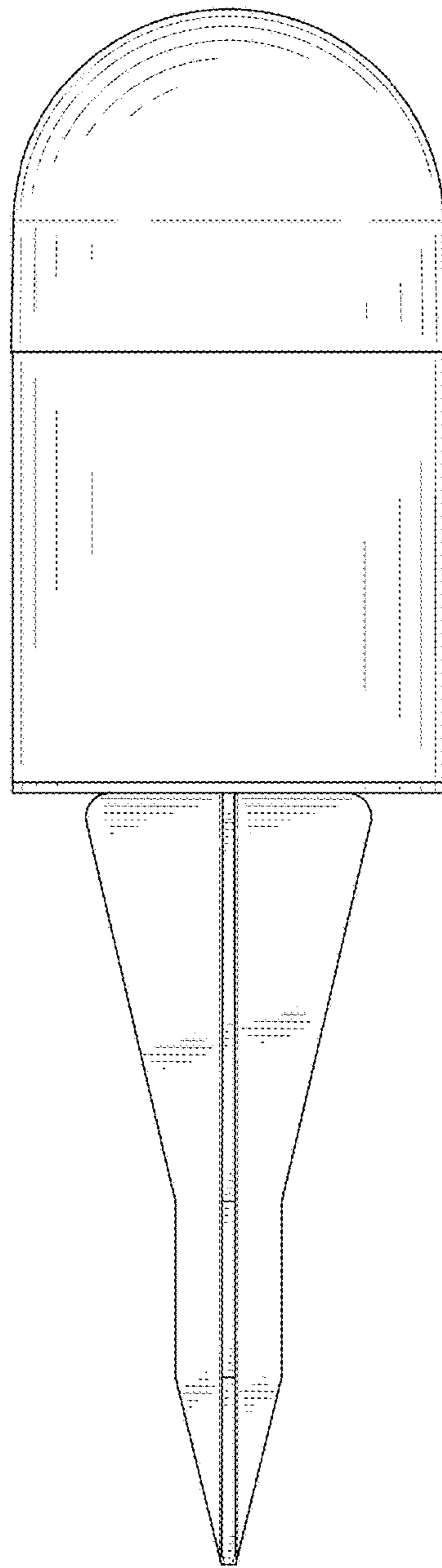


FIG. 3

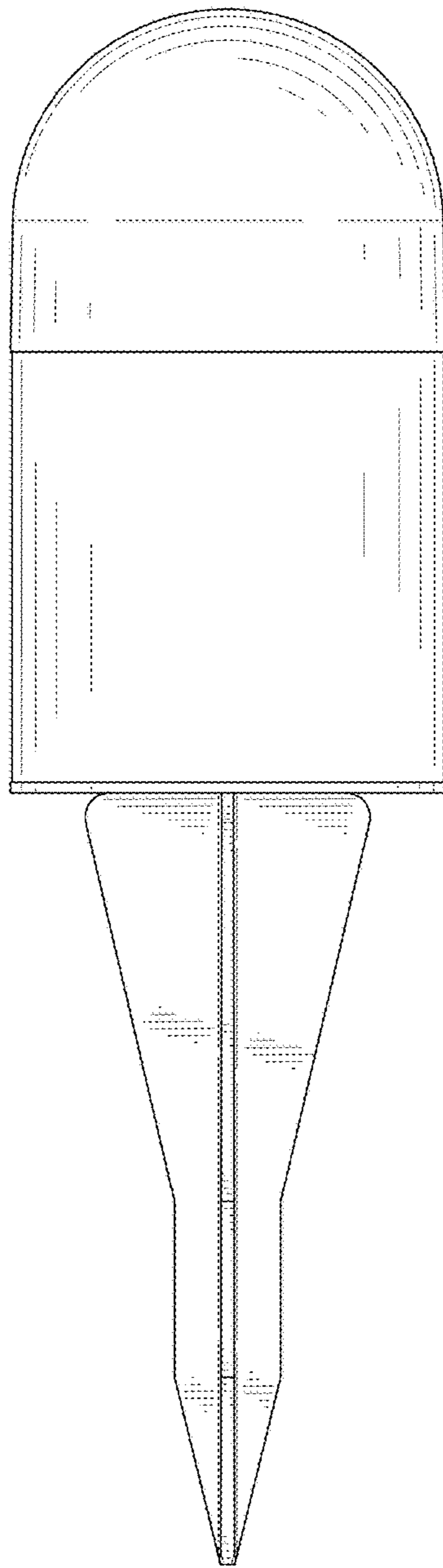


FIG. 4

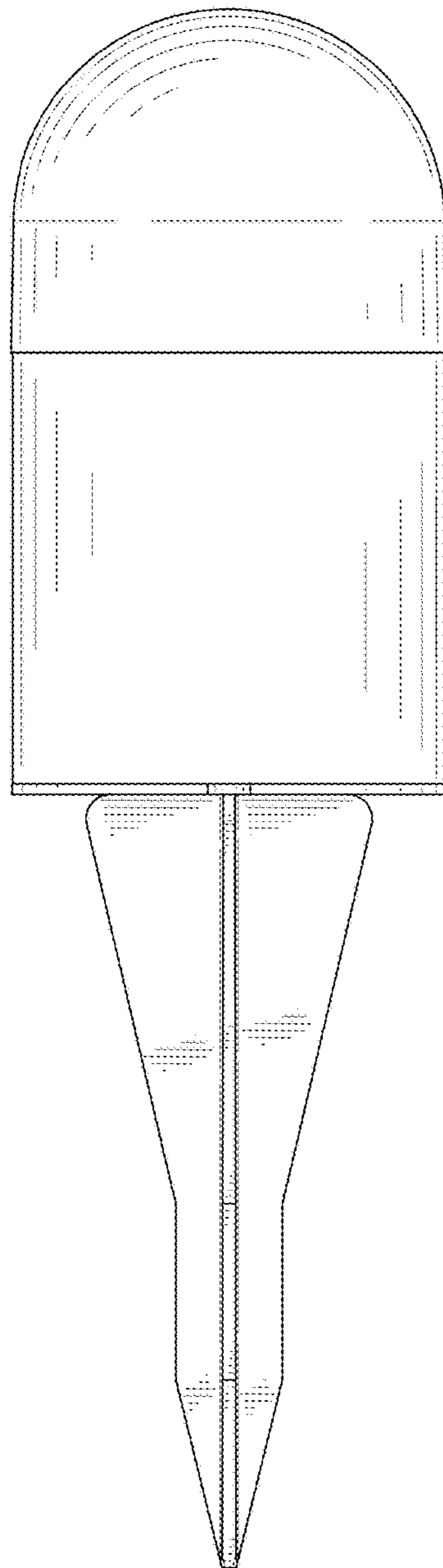


FIG. 5

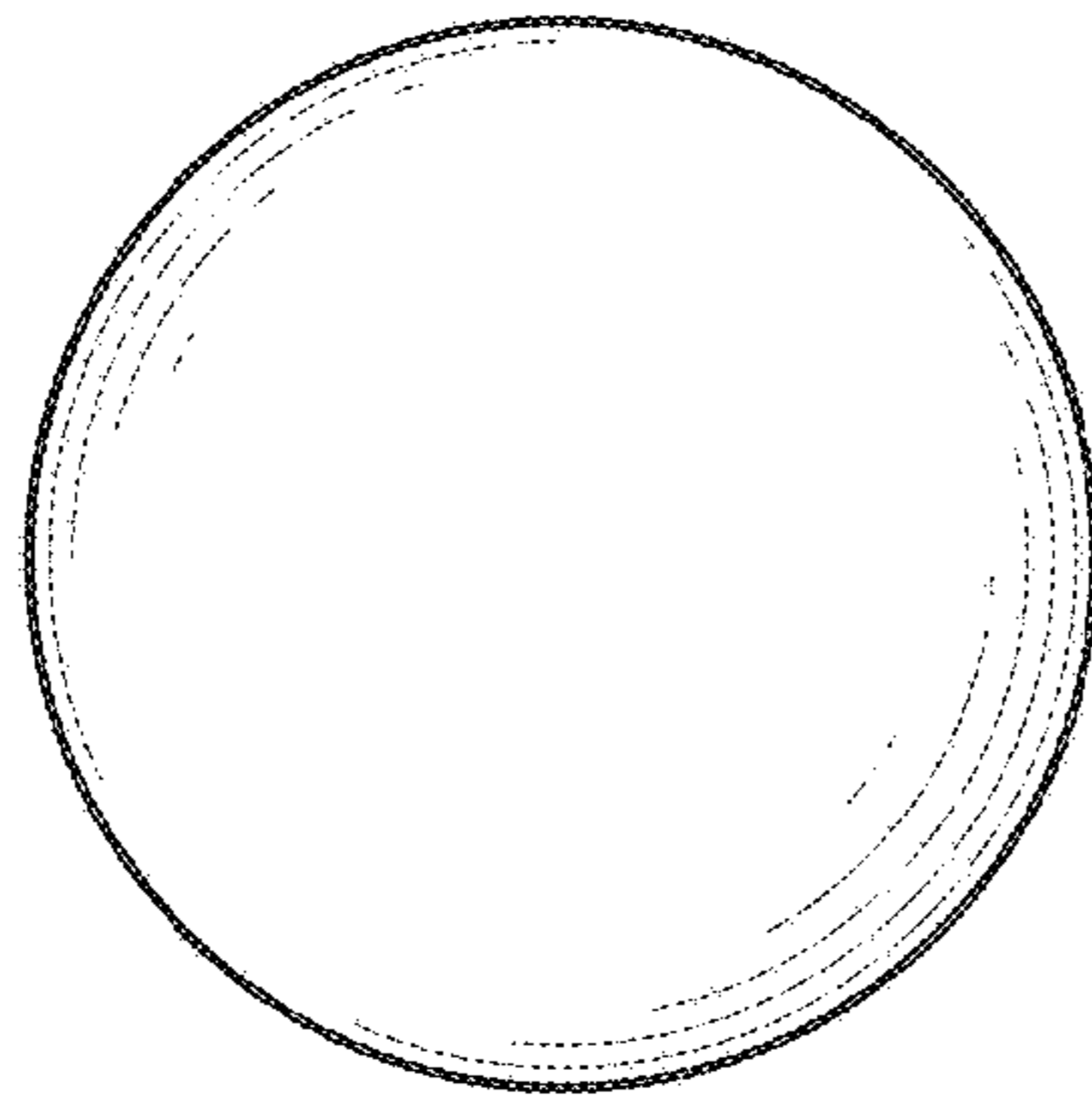


FIG. 6

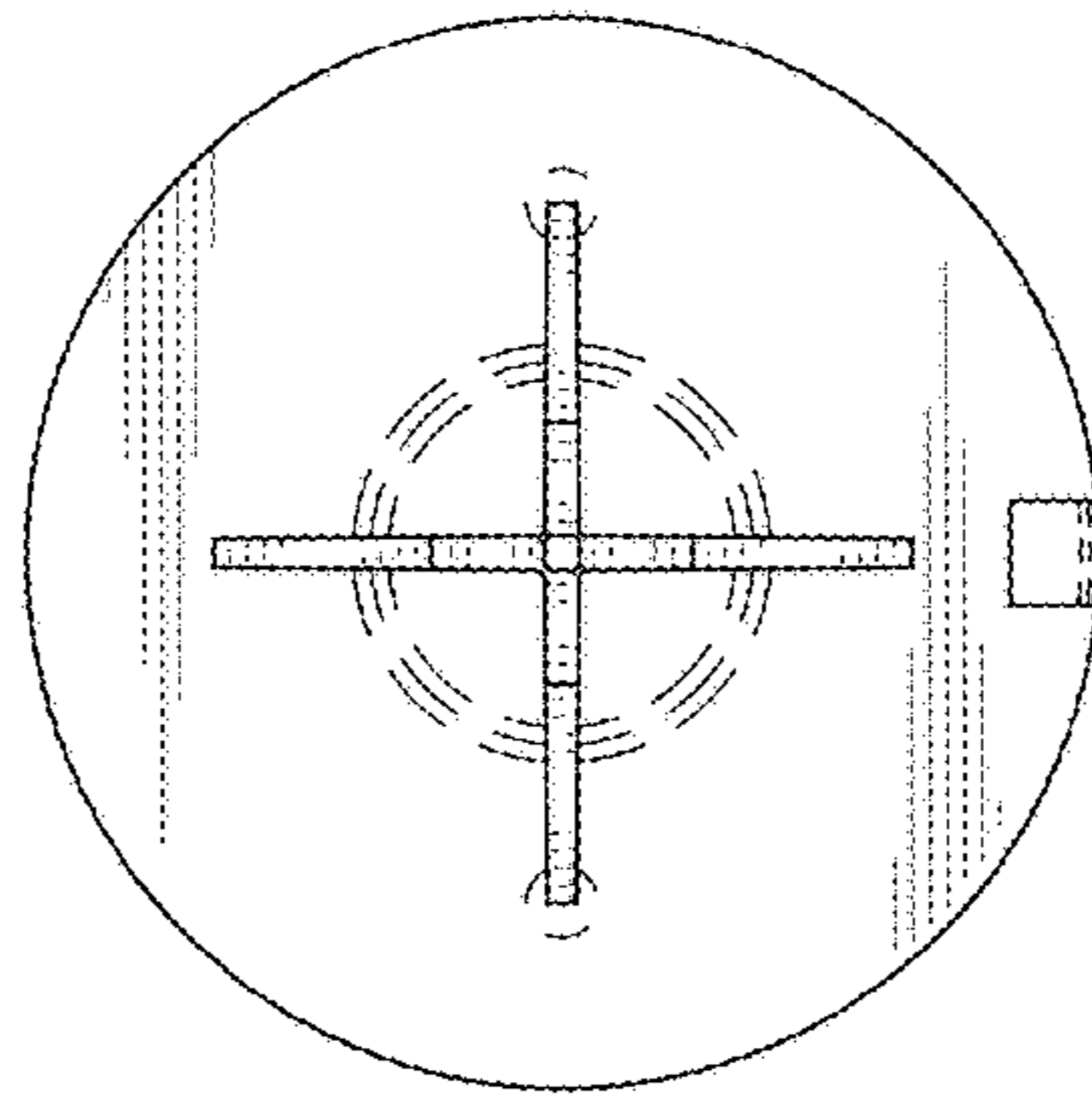


FIG. 7