



US00D869040S

(12) **United States Design Patent** (10) **Patent No.:** **US D869,040 S**
Szatravski et al. (45) **Date of Patent:** **** Dec. 3, 2019**

(54) **LUMINAIRE**
(71) Applicant: **SIGNIFY HOLDING B.V.**, Eindhoven (NL)
(72) Inventors: **Jaroslav Szatravski**, Ketrzyn (PL); **Jozef Willebrordus Van Roosmalen**, Rotterdam (NL)
(73) Assignee: **SIGNIFY HOLDING B.V.**, Eindhoven (NL)

(**) Term: **15 Years**
(21) Appl. No.: **29/642,753**
(22) Filed: **Apr. 2, 2018**

(30) **Foreign Application Priority Data**
Oct. 5, 2017 (EM) 004387090-0002
(51) **LOC (12) Cl.** **26-05**
(52) **U.S. Cl.**
USPC **D26/67; D26/70**
(58) **Field of Classification Search**
USPC D26/67-71; D25/135
CPC F21S 8/08; F21S 8/081; F21S 8/083; F21S 8/088; F21S 9/03; F21S 9/037; F21V 21/0824; F21W 2111/023; F21W 2111/02; F21W 2131/109
See application file for complete search history.

(56) **References Cited**
U.S. PATENT DOCUMENTS
D208,719 S * 9/1967 de Vos D26/67
D210,798 S * 4/1968 Hewson D26/67

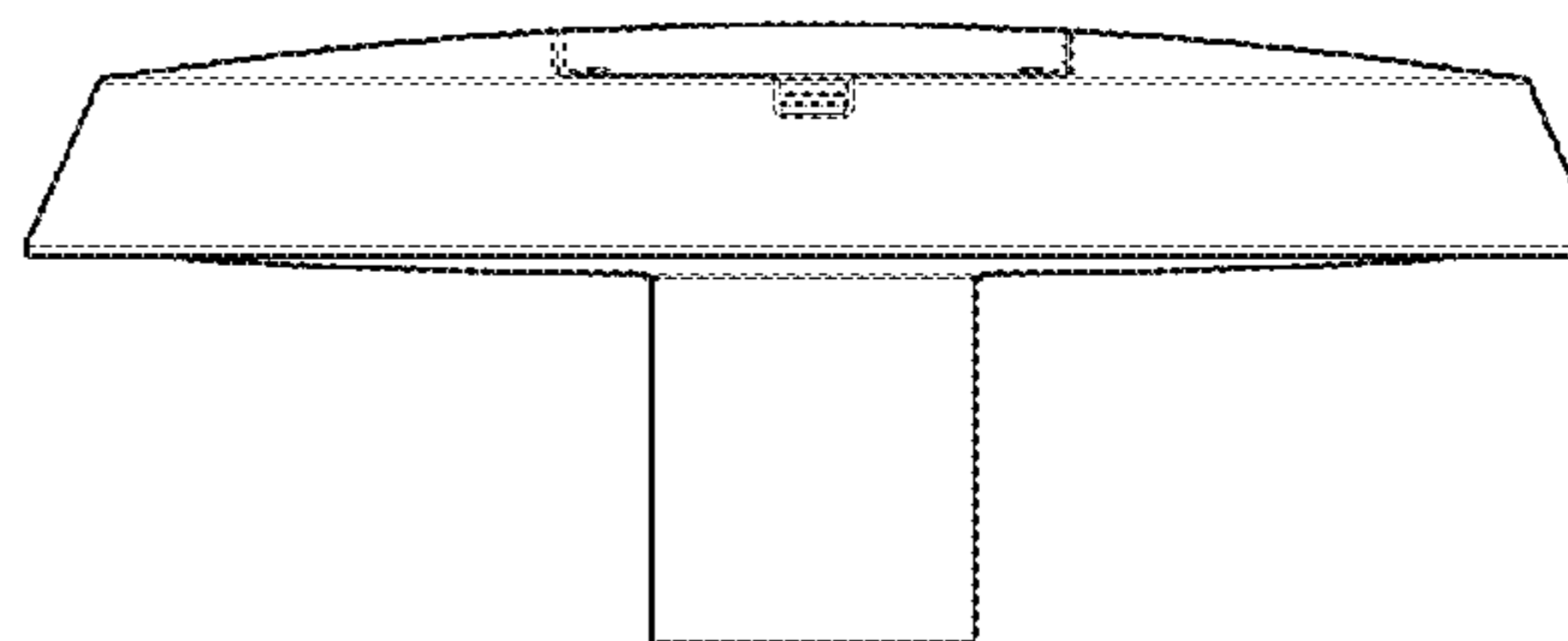
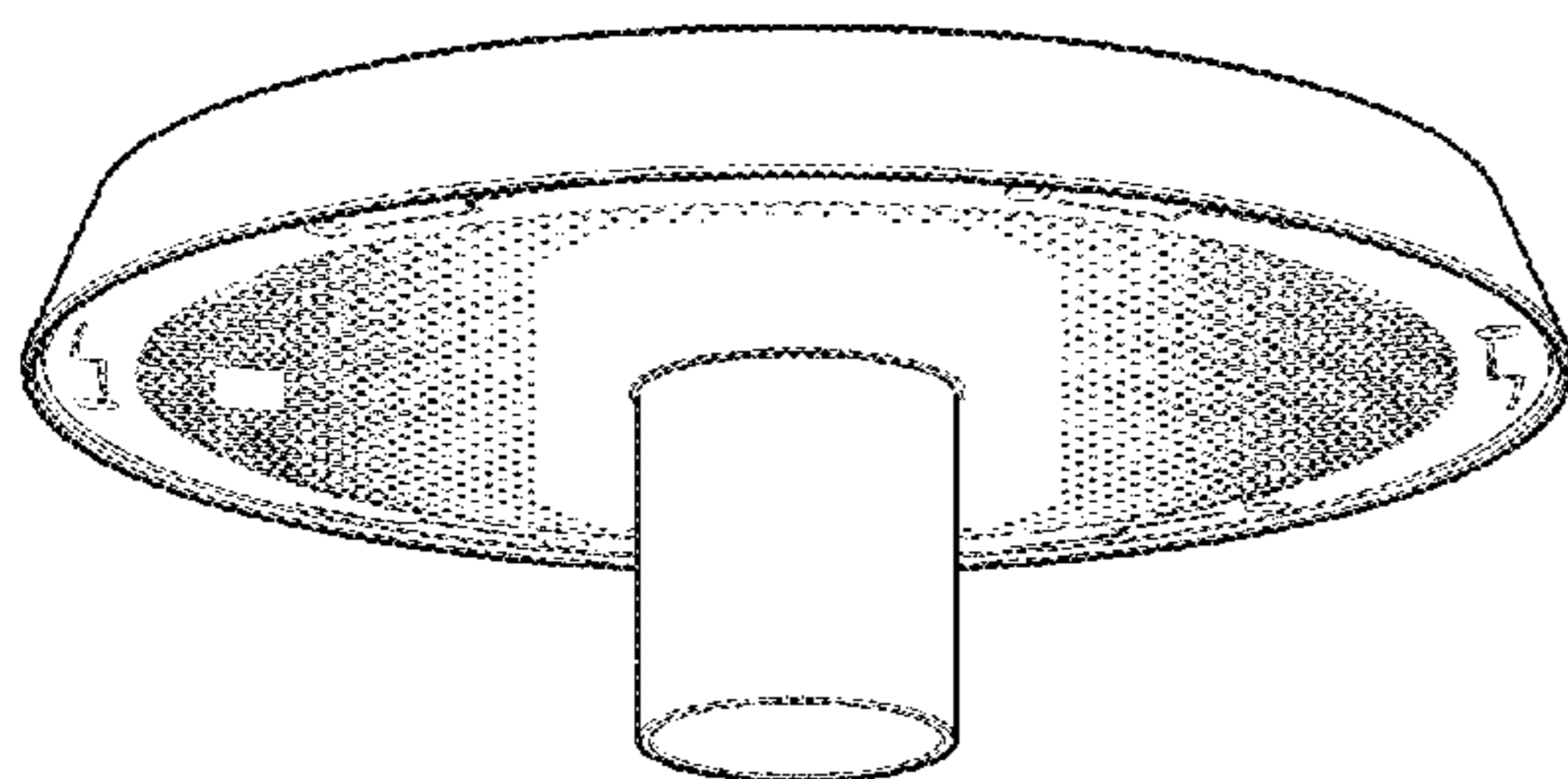
D266,958 S * 11/1982 Gernhardt D26/92
D451,227 S * 11/2001 Orellana D26/67
D563,018 S * 2/2008 Nankil D26/70
D573,289 S * 7/2008 Xu D26/67
D592,346 S * 5/2009 Gill D26/71
D623,337 S * 9/2010 Zheng D26/67
D739,066 S * 9/2015 Macura D26/67
D739,067 S * 9/2015 Macura D26/67
D752,798 S * 3/2016 Righetto D26/67
D793,600 S * 8/2017 Ruao da Cunha D26/67
2009/0086491 A1 * 4/2009 Ruud F21S 8/086
362/294

* cited by examiner
Primary Examiner — Clare E Heflin
(74) *Attorney, Agent, or Firm* — Daniel J. Piotrowski

(57) **CLAIM**
The ornamental design for a “luminaire,” as shown and described.

DESCRIPTION
FIG. 1 is a perspective view showing my design;
FIG. 2 is a front elevational view thereof
FIG. 3 is a rear elevational view thereof;
FIG. 4 is a right side elevational view thereof;
FIG. 5 is a left side elevational view thereof;
FIG. 6 is a top plan view thereof; and,
FIG. 7 is a bottom plan view thereof.

1 Claim, 5 Drawing Sheets



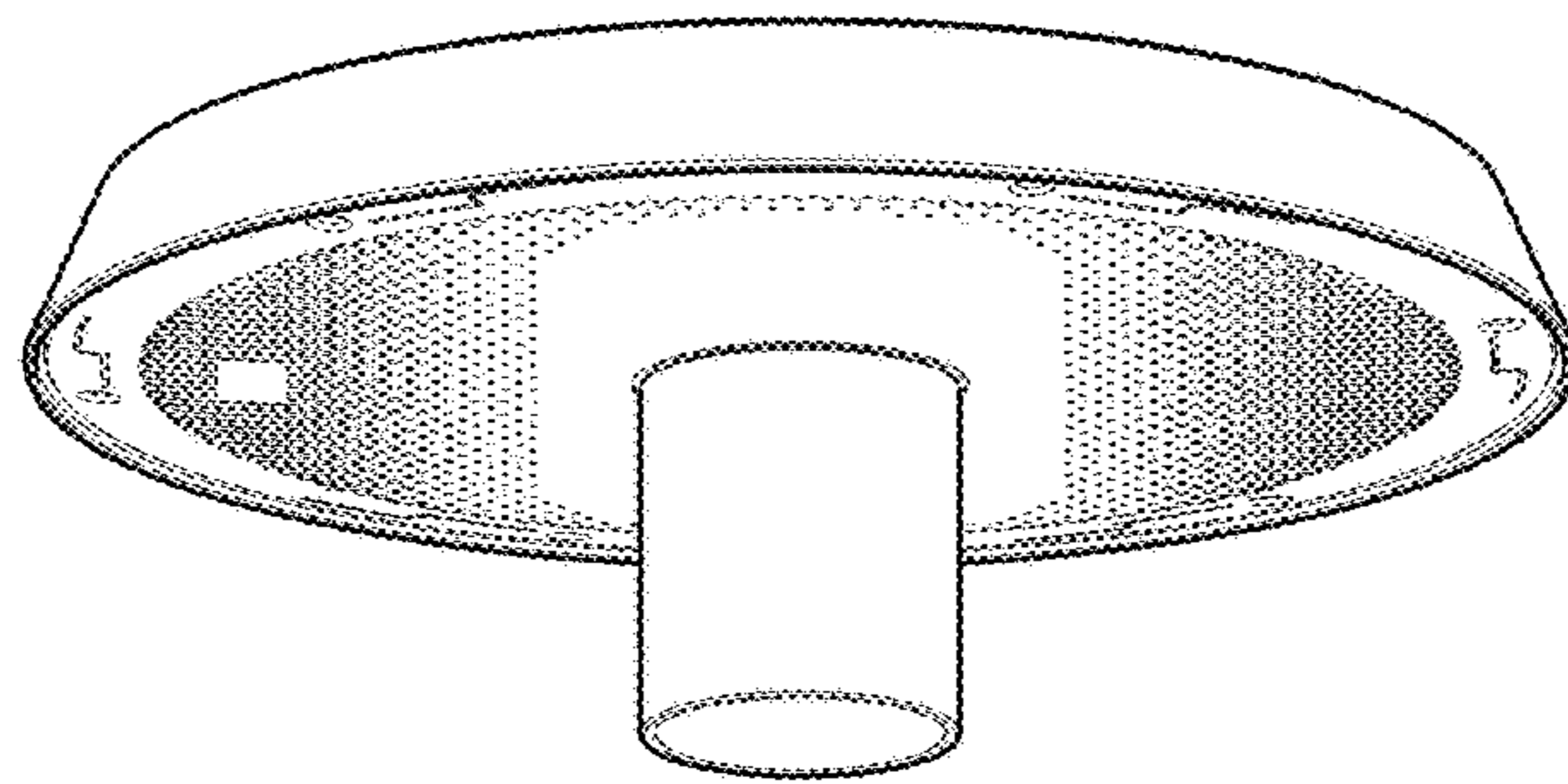


FIG.1

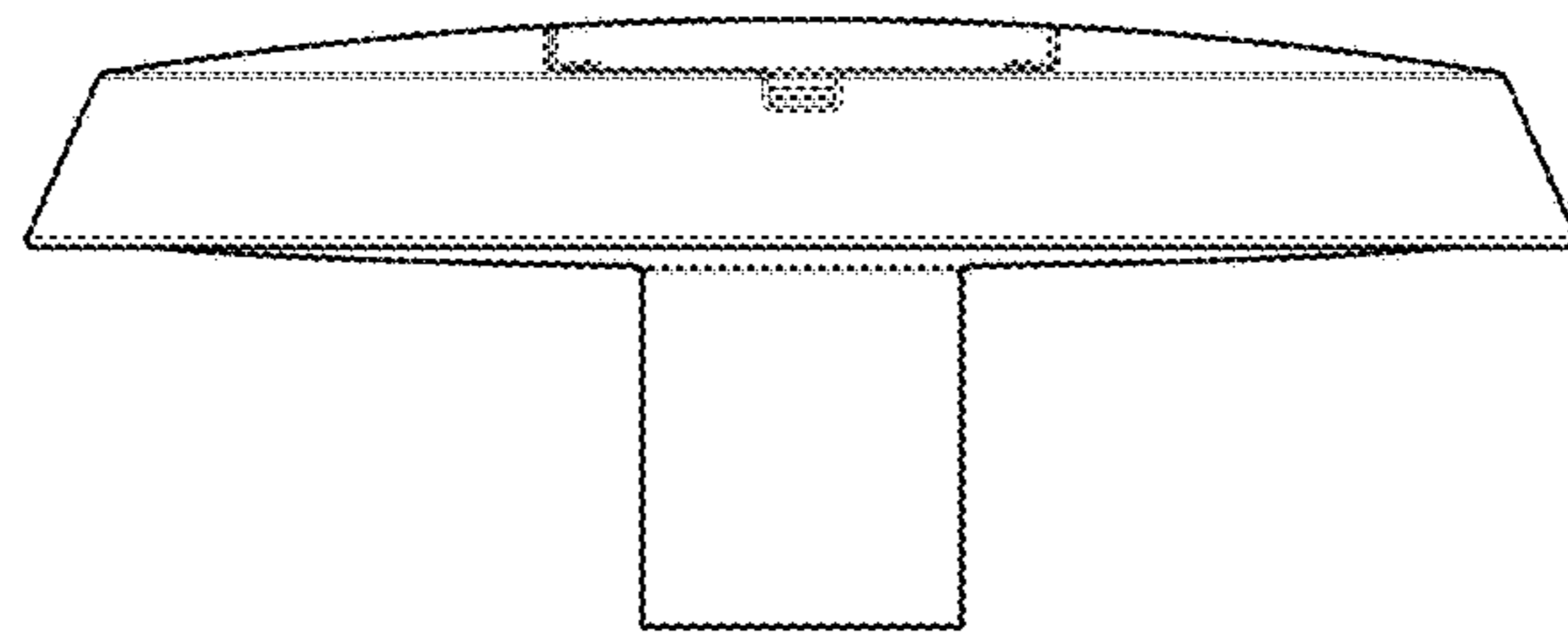


FIG. 2

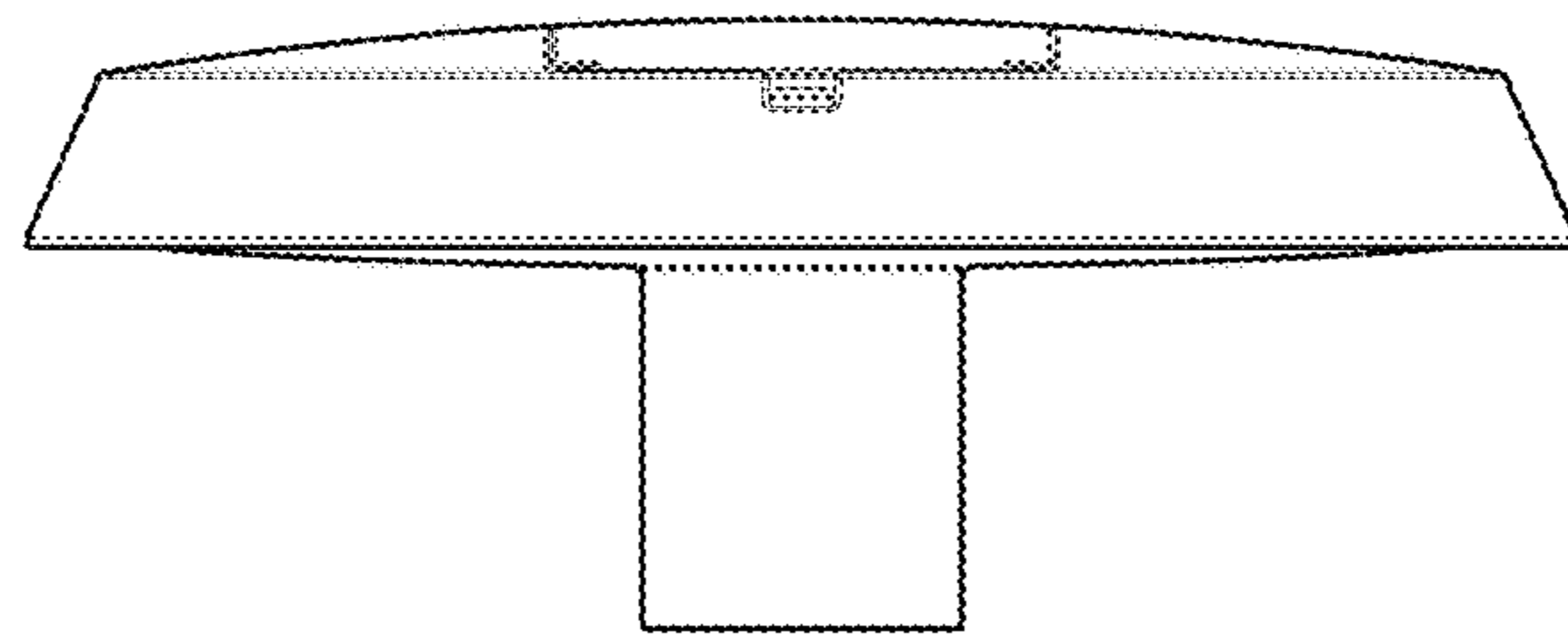


FIG. 3

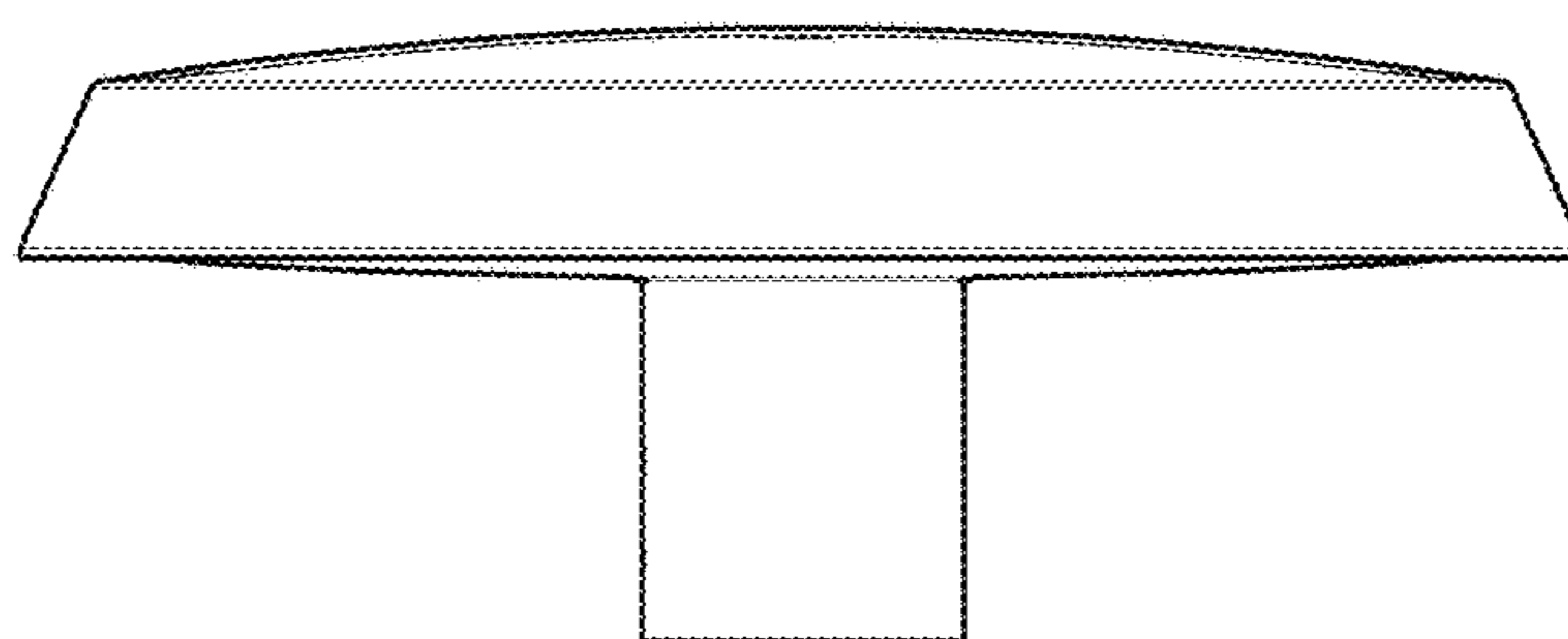


FIG. 4

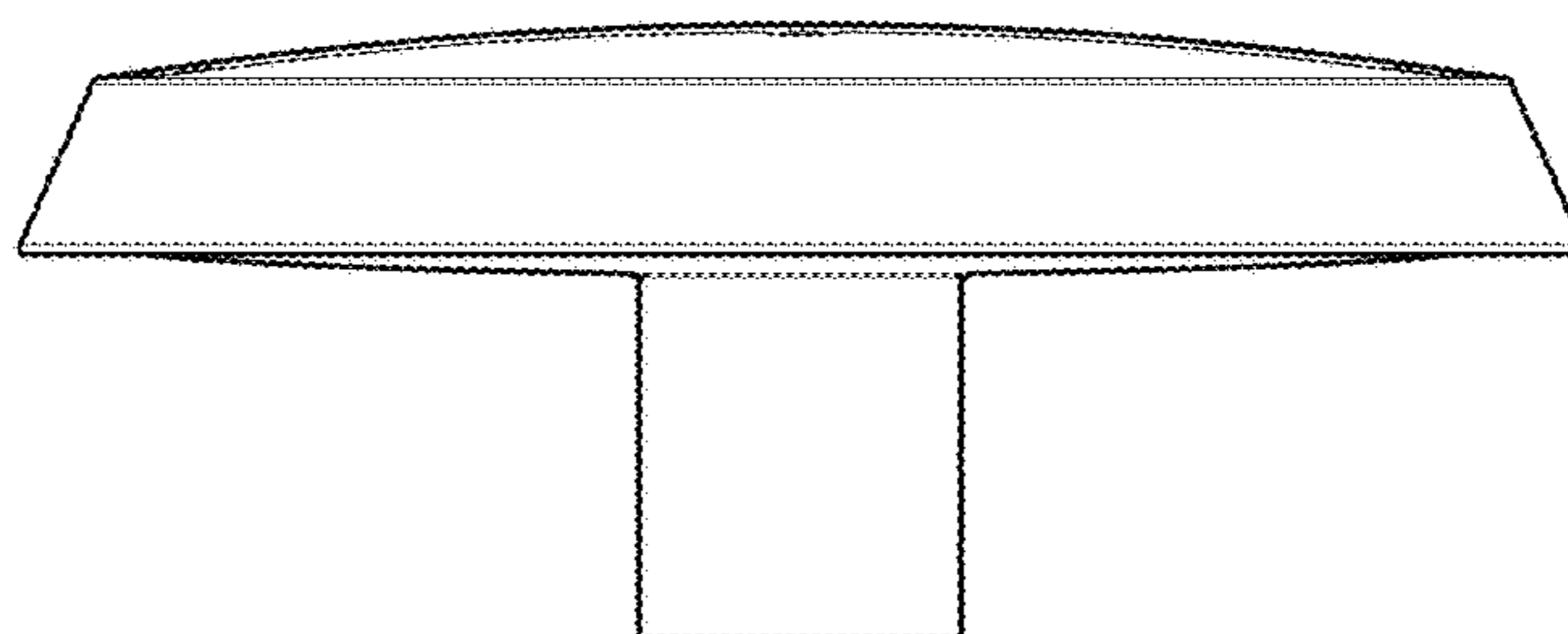


FIG. 5

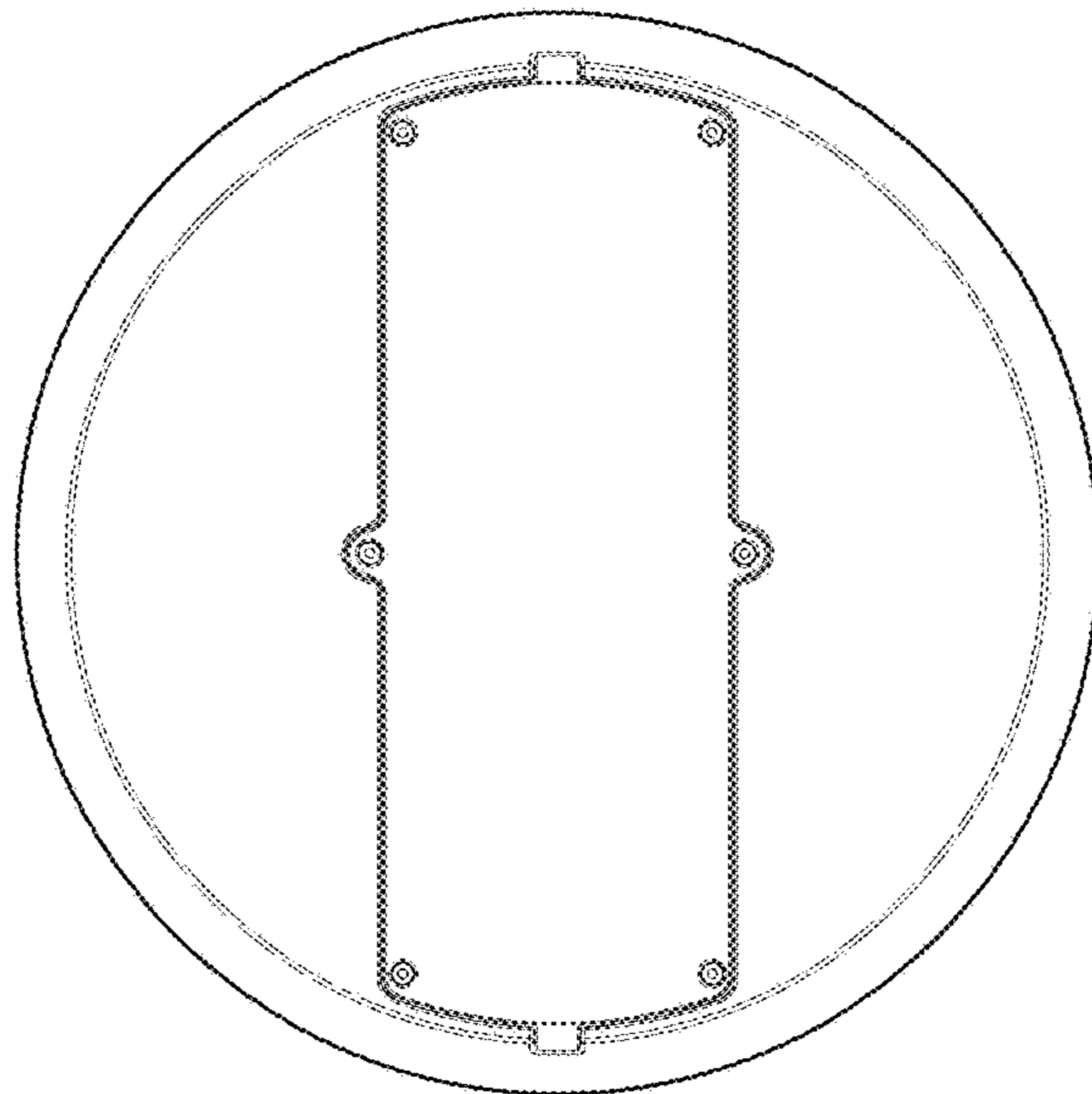


FIG. 6

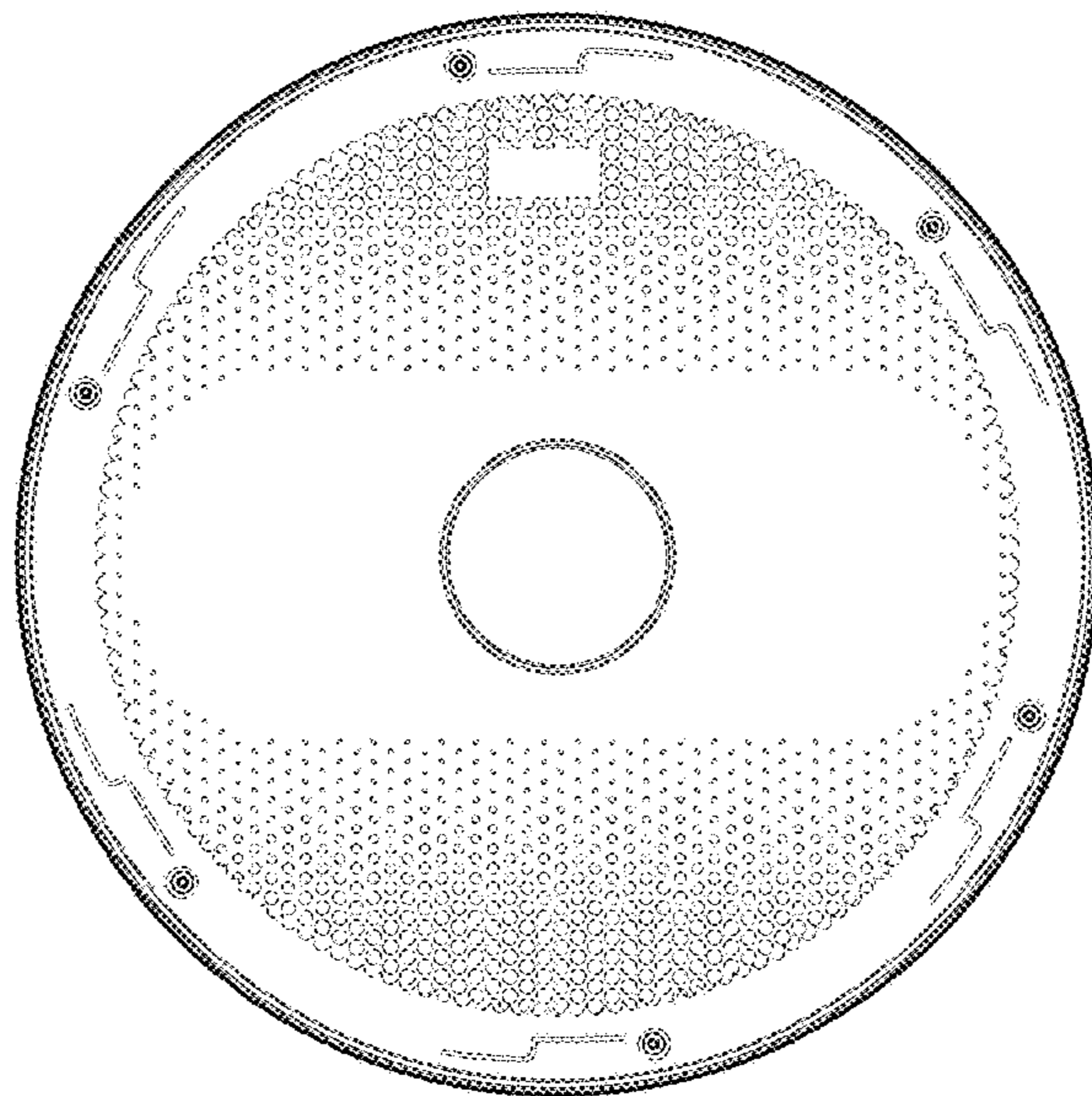


FIG. 7