



US00D869039S

(12) **United States Design Patent Grant** (10) **Patent No.: US D869,039 S**
(45) **Date of Patent: ** Dec. 3, 2019**

(54) **ILLUMINATED FENCE POST CAP**
(71) Applicant: **Classy Caps Mfg. Inc.**, Kingsville (CA)
(72) Inventor: **Darcey Grant**, Kingsville (CA)
(73) Assignee: **CLASSY CAPS MFG. INC.**, Kingsville (CA)
(**) Term: **15 Years**
(21) Appl. No.: **29/629,214**
(22) Filed: **Dec. 12, 2017**
(51) **LOC (12) Cl.** **26-05**
(52) **U.S. Cl.**
USPC **D26/67**
(58) **Field of Classification Search**
USPC D26/67-71; D25/135
CPC F21S 8/08; F21S 8/081; F21S 8/083; F21S 8/088; F21S 9/03; F21S 9/037; F21V 21/0824; F21W 2111/023; F21W 2111/02; F21W 2131/109
See application file for complete search history.

(56) **References Cited**
U.S. PATENT DOCUMENTS
3,866,034 A * 2/1975 Russo F21S 8/081 362/152
4,736,186 A * 4/1988 Jones G08B 7/064 340/331
5,126,923 A * 6/1992 Hall, II B60Q 1/2611 362/282

(Continued)

OTHER PUBLICATIONS

Classy Caps CH2233B Chain Link Summit Solar Post Cap, by Classy Caps. First available at amazon.com Feb. 10, 2018. (Year: 2018).*

Primary Examiner — Clare E Heflin
(74) *Attorney, Agent, or Firm* — LKGGlobal | Lorenz & Kopf, LLP

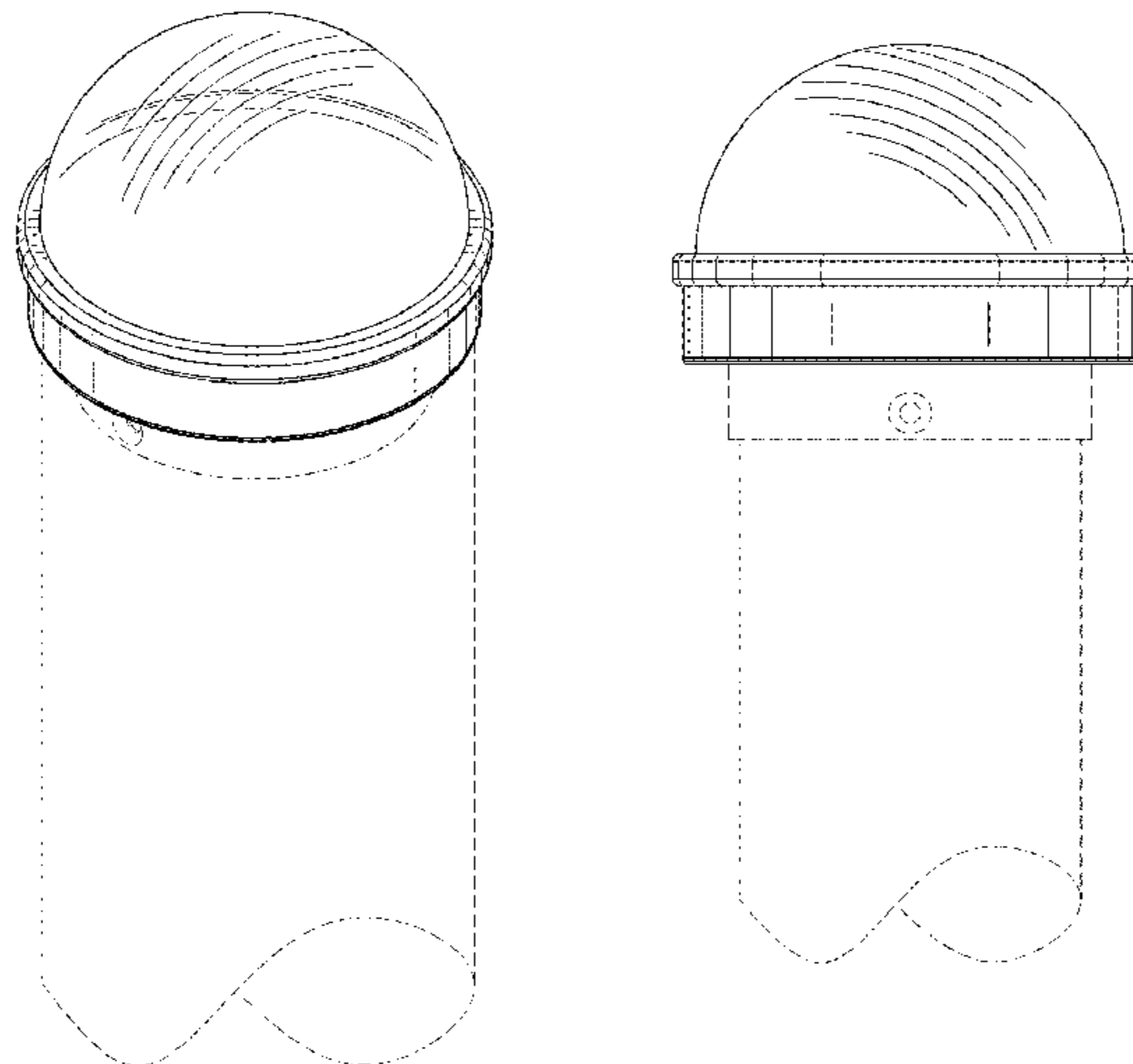
(57) **CLAIM**

The ornamental design for an illuminated fence post cap, as shown and described.

DESCRIPTION

FIG. 1 is a perspective view of the illuminated fence post cap according to a first embodiment;
FIG. 2 is a top plan view of the cap shown in FIG. 1, the bottom plan view forming no part of the claimed design;
FIG. 3 is a front side elevation of the cap shown in FIG. 1, the rear, left and right side elevations being identical thereto;
FIG. 4 is a partial sectional view taken through the dome portion of the cap shown in FIG. 3;
FIG. 5 is a perspective view of the illuminated fence post cap according to a second embodiment;
FIG. 6 is a top plan view of the cap shown in FIG. 5, the bottom plan view forming no part of the claimed design;
FIG. 7 is a front side elevation of the cap shown in FIG. 5, the rear, left and right side elevations being identical thereto;
FIG. 8 is a perspective view of the illuminated fence post cap according to a third embodiment;
FIG. 9 is a top plan view of the cap shown in FIG. 8, the bottom plan view forming no part of the claimed design; and,
FIG. 10 is a front side elevation of the cap shown in FIG. 8, the rear, left and right side elevations being identical thereto. The broken lines shown in the figures are for the purpose of illustrating the environment, namely the fence post cap adaptor and the fence post, in which the article embodying the design is used and form no part of the claimed design. The partial sectional view in FIG. 4 is provided for the purpose of illustrating the internal surface of the translucent dome not apparent from the others views of the drawings but visible therethrough.

1 Claim, 4 Drawing Sheets



(56)

References Cited

U.S. PATENT DOCUMENTS

5,249,112 A * 9/1993 Bray F21S 8/02
362/306
5,251,118 A * 10/1993 Budnovitch F21S 8/033
362/362
6,341,877 B1 * 1/2002 Chong F21S 8/083
362/291
7,985,004 B1 * 7/2011 Schach F21S 8/083
362/240
D652,975 S * 1/2012 Harshaw D26/67
D692,171 S * 10/2013 Randolph D26/67
D710,048 S * 7/2014 Randolph D26/120
2005/0024857 A1 * 2/2005 Vishwamitra A63J 17/00
362/152
2008/0232110 A1 * 9/2008 Wang F21V 5/048
362/308
2011/0310596 A1 * 12/2011 Ahmadi F21S 9/043
362/183

* cited by examiner

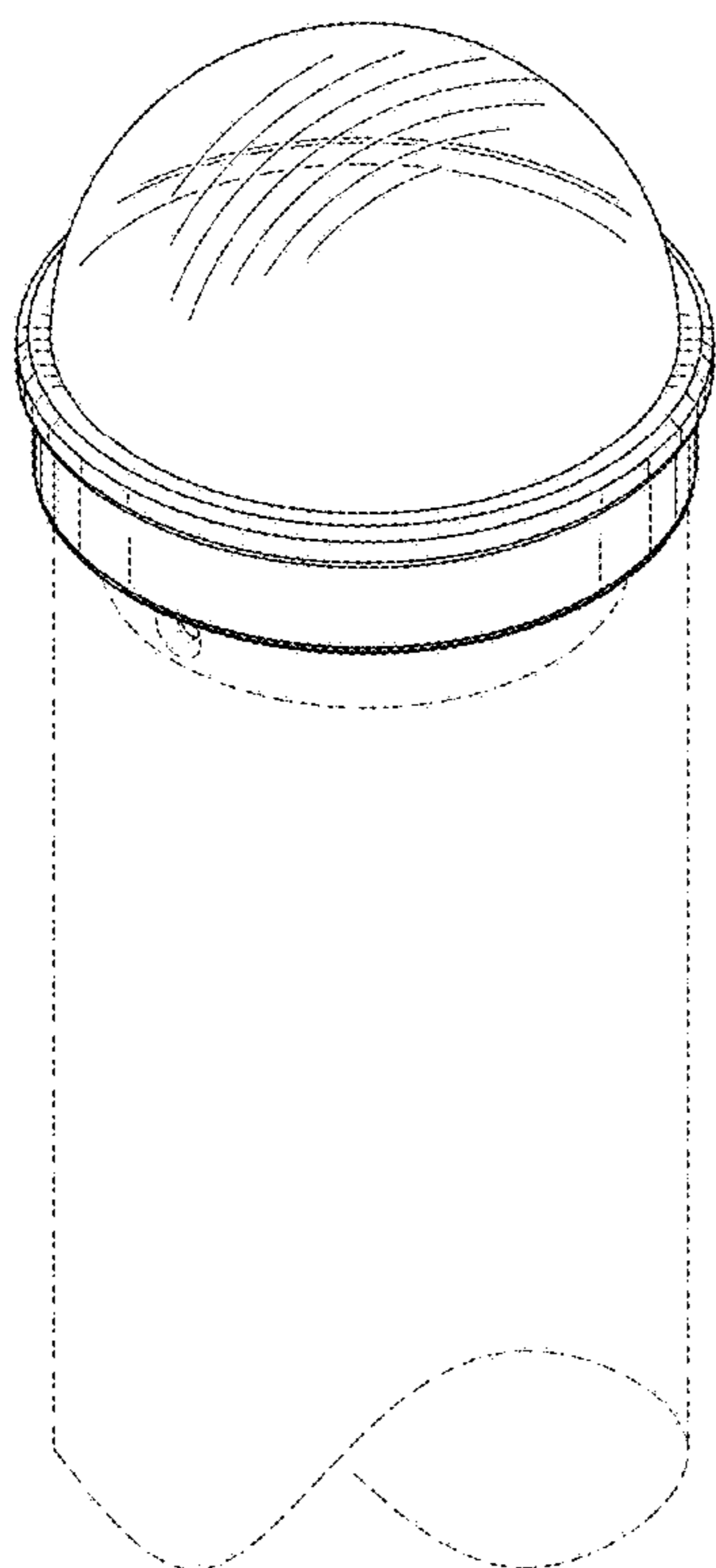


FIG - 1

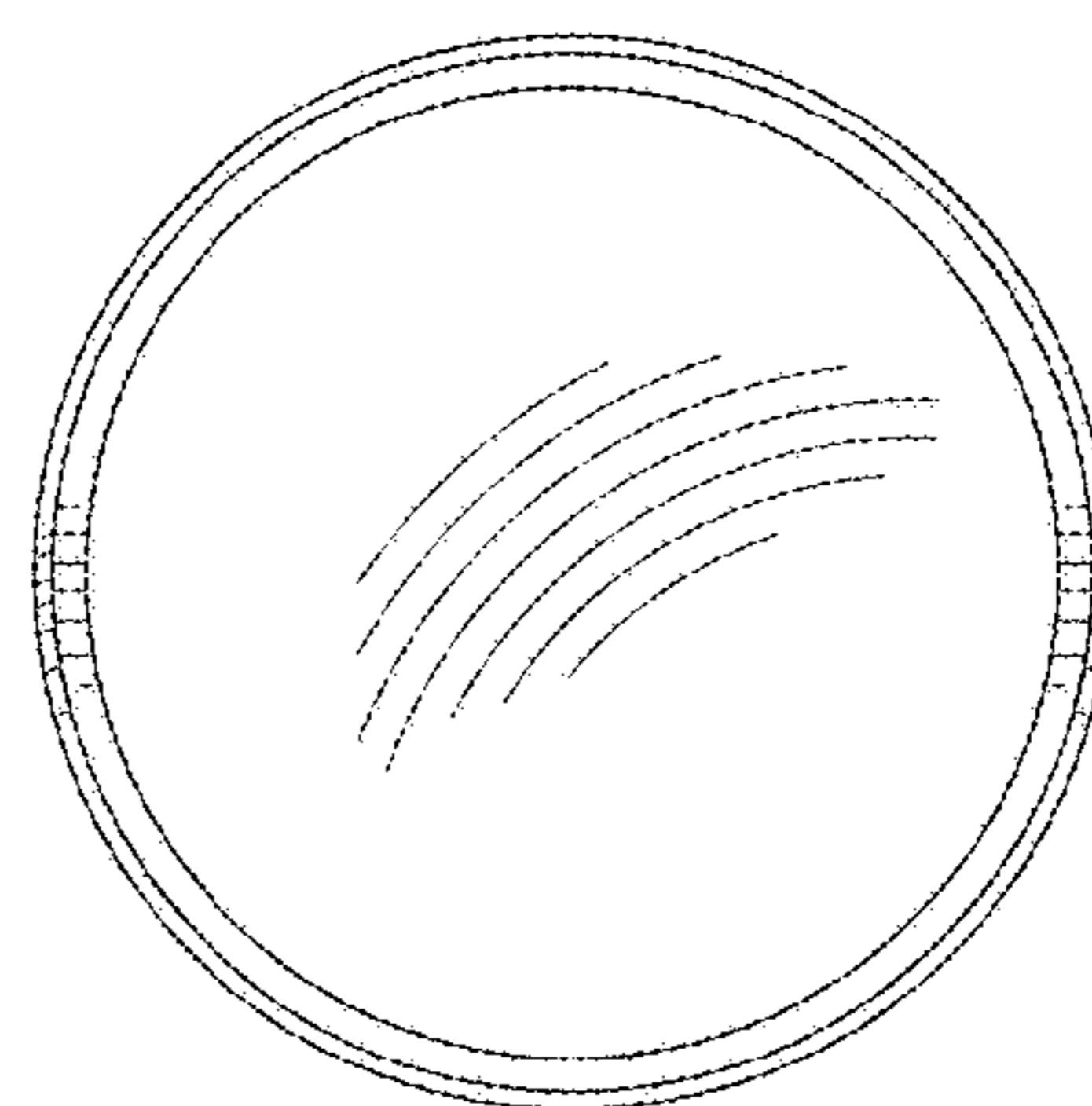


FIG - 2

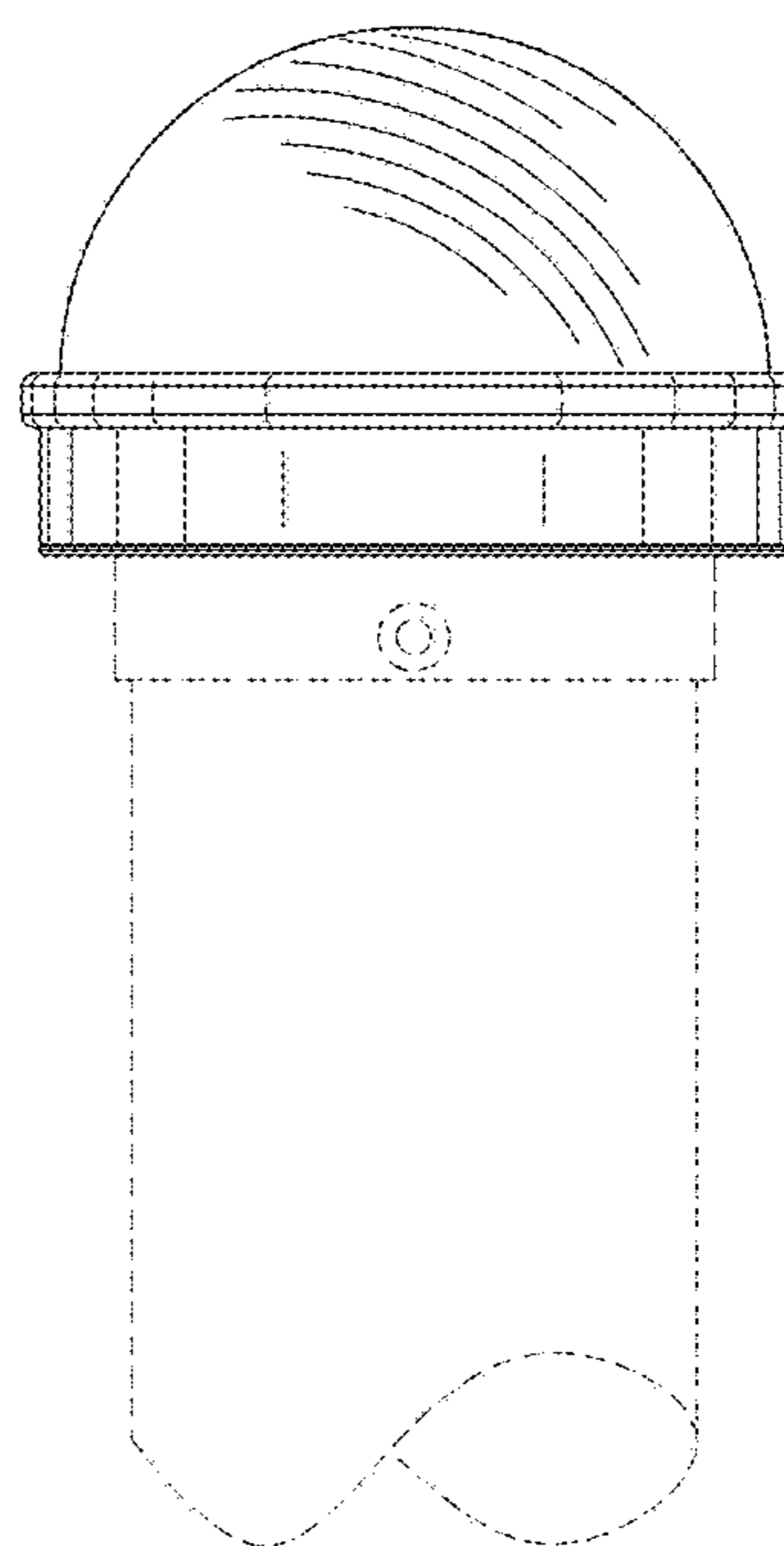


FIG - 3

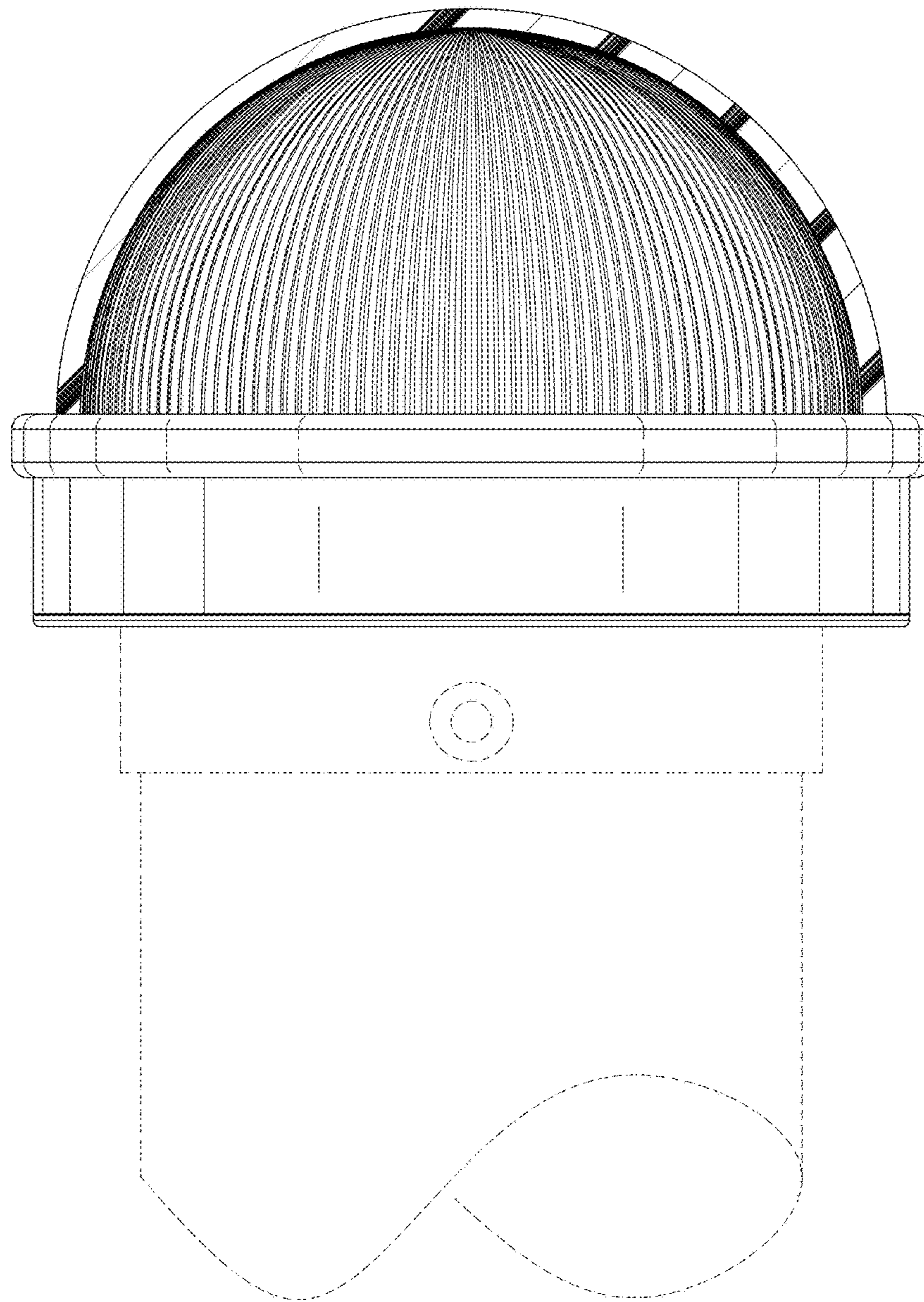


FIG - 4

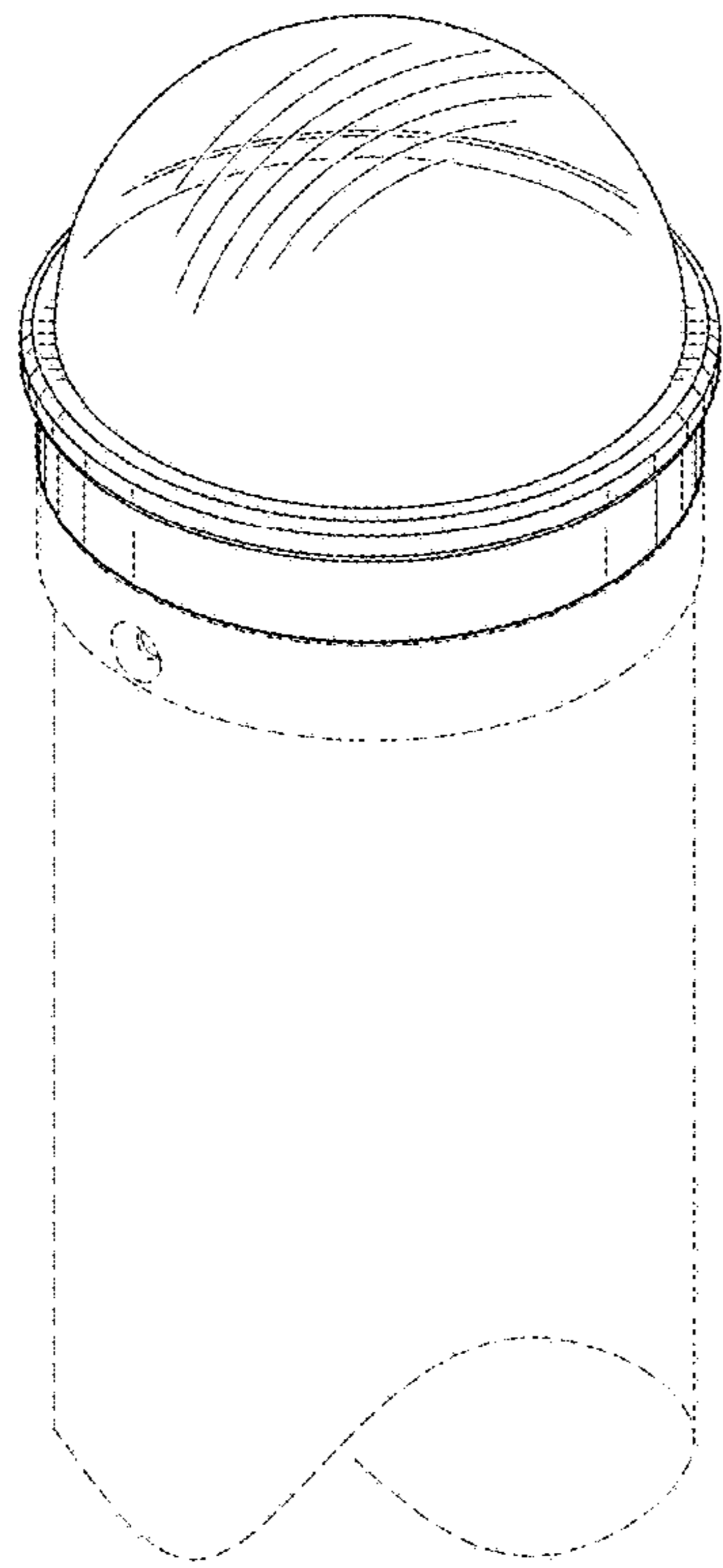


FIG - 5

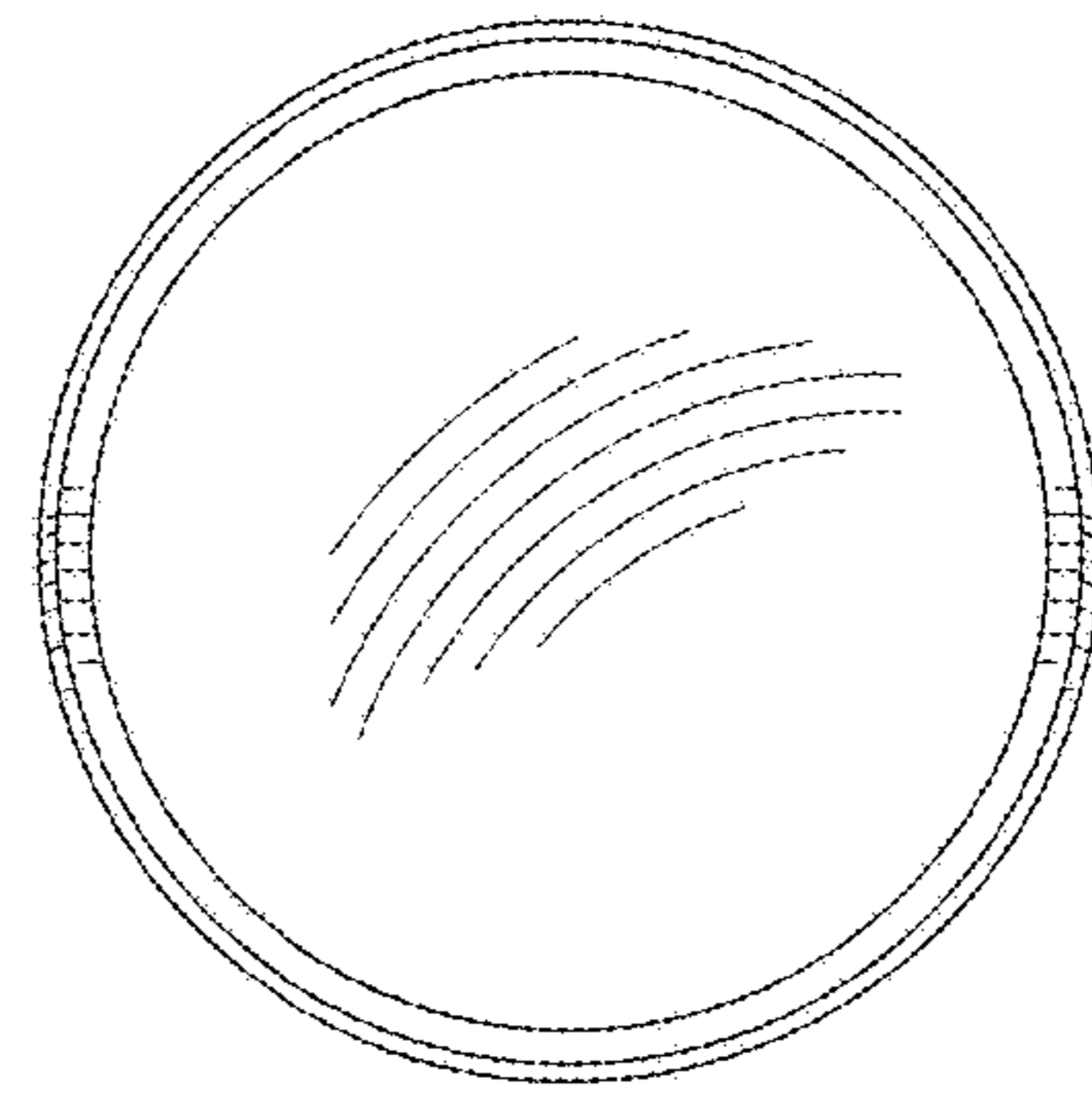


FIG - 6

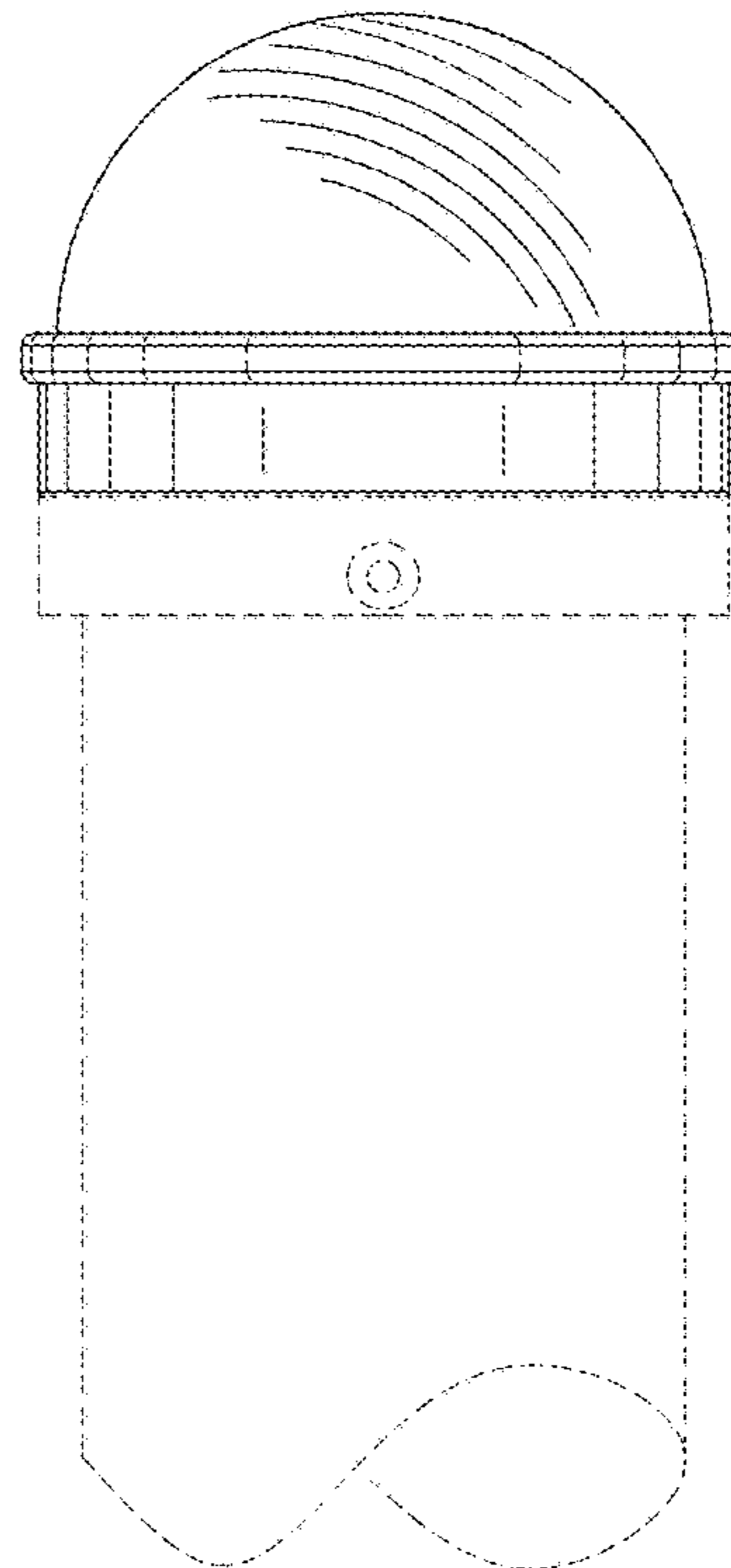


FIG - 7

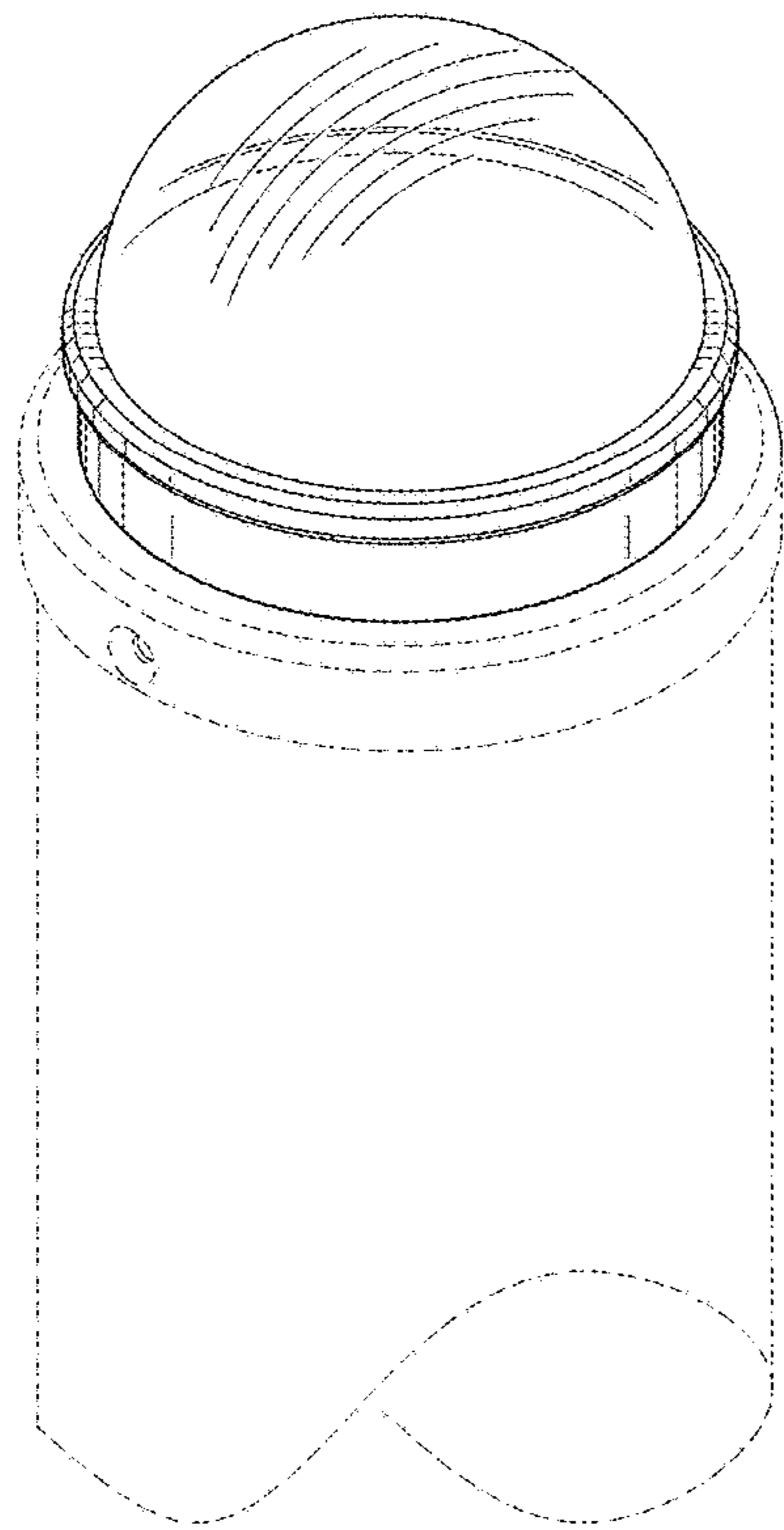


FIG - 8

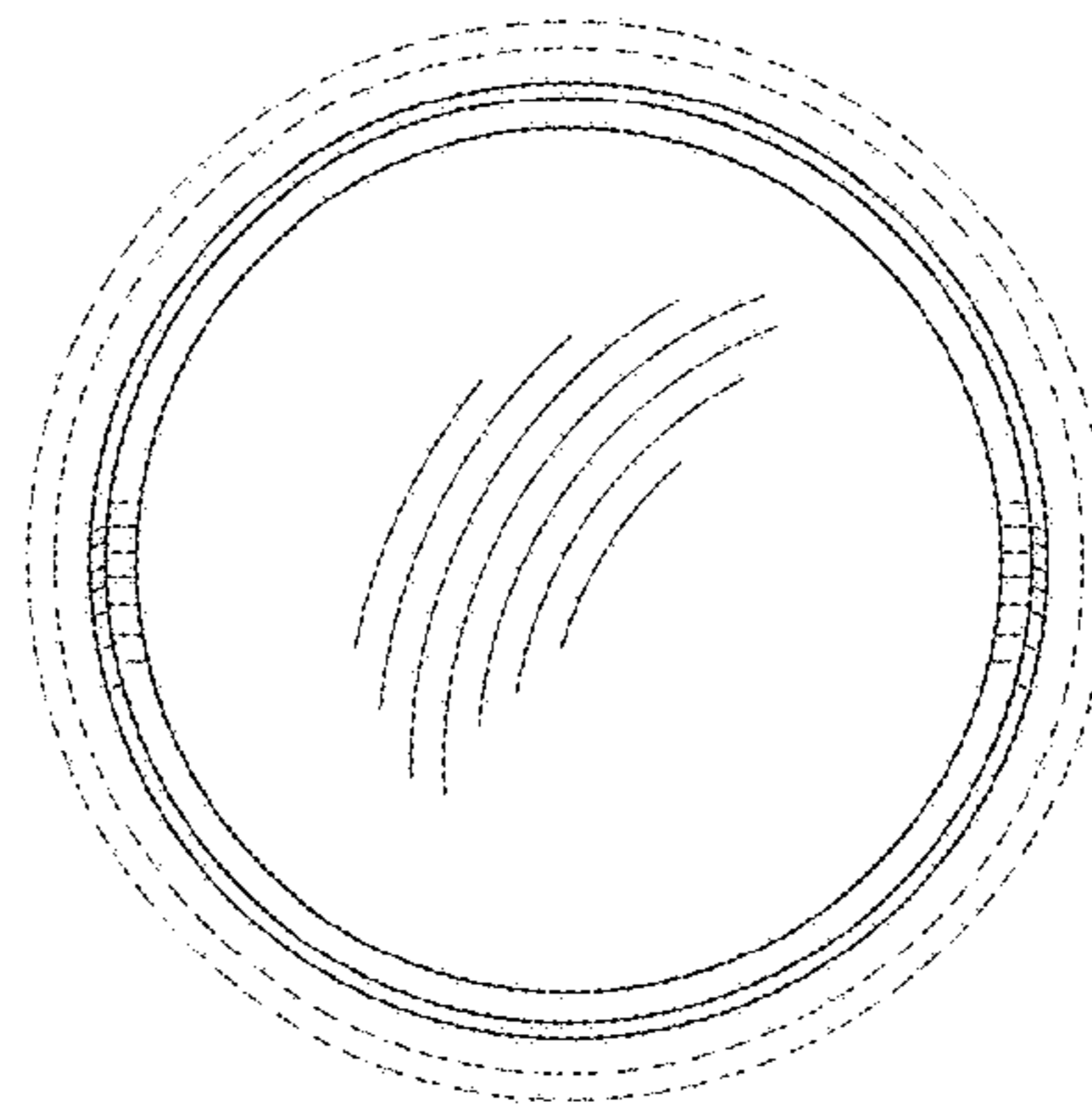


FIG - 9

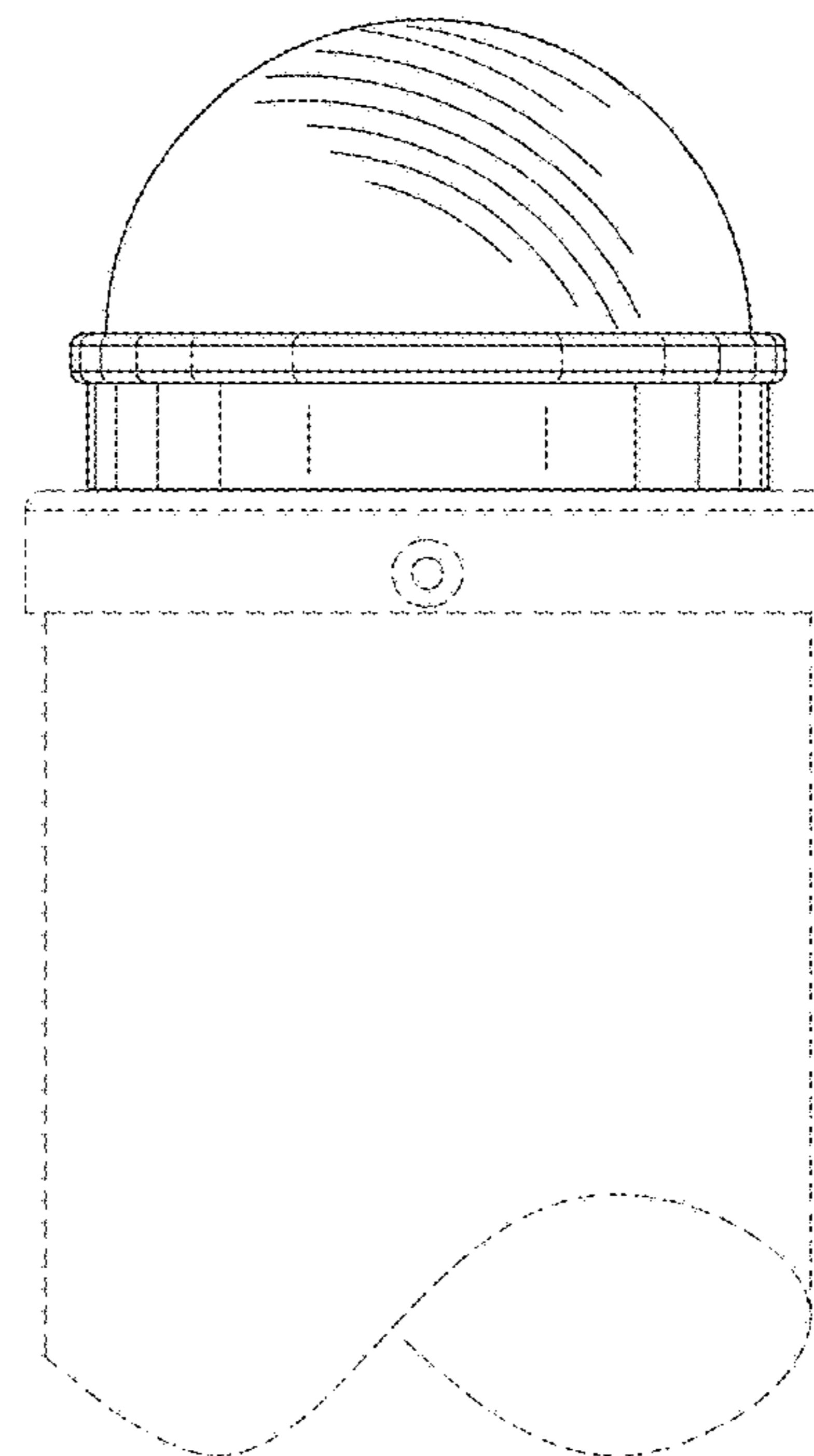


FIG - 10