

US00D869038S

(12) **United States Design Patent** (10) **Patent No.:** **US D869,038 S**  
**Recker et al.** (45) **Date of Patent:** **\*\* Dec. 3, 2019**

(54) **FLOOD LIGHT**  
(71) Applicant: **Wireless Environment, LLC**, Mayfield Village, OH (US)  
(72) Inventors: **Michael V. Recker**, Gaithersburg, MD (US); **David B. Levine**, Pepper Pike, OH (US); **Ryan D. Hruska**, North Royalton, OH (US); **Christopher Loew**, Palo Alto, CA (US)

D745,201 S \* 12/2015 Lee ..... D26/63  
D765,901 S \* 9/2016 Chen ..... D26/63  
D774,231 S \* 12/2016 Recker ..... D26/63  
D782,094 S 3/2017 Fletcher et al.

FOREIGN PATENT DOCUMENTS

JP D1385931 4/2010

OTHER PUBLICATIONS

Korean Office Action dated Apr. 17, 2019 for Korean Patent Application No. 30-2018-31146, a counterpart of U.S. Appl. No. 29/632,480, 2 pages.  
Taiwanese Search Report dated Mar. 4, 2019 for Taiwanese Patent Application No. 107303875, 1 pages.

\* cited by examiner

*Primary Examiner* — Brian N. Vinson  
(74) *Attorney, Agent, or Firm* — Lee & Hayes, P.C.

(73) Assignee: **A9.com, Inc.**, Palo Alto, CA (US)  
(\*\*) Term: **15 Years**

(21) Appl. No.: **29/632,480**

(22) Filed: **Jan. 8, 2018**

(51) **LOC (12) Cl.** ..... **26-03**

(52) **U.S. Cl.**  
USPC ..... **D26/63**

(58) **Field of Classification Search**  
USPC ..... D26/24, 51, 61, 63, 65, 72, 80  
CPC .... F21S 8/04; F21S 8/00; F21V 21/00; F21V 17/02; F21V 14/02; F21V 21/30; F21V 21/14; F21V 21/26; F21W 2131/10  
See application file for complete search history.

(57) **CLAIM**

The ornamental design for a flood light, as shown and described.

**DESCRIPTION**

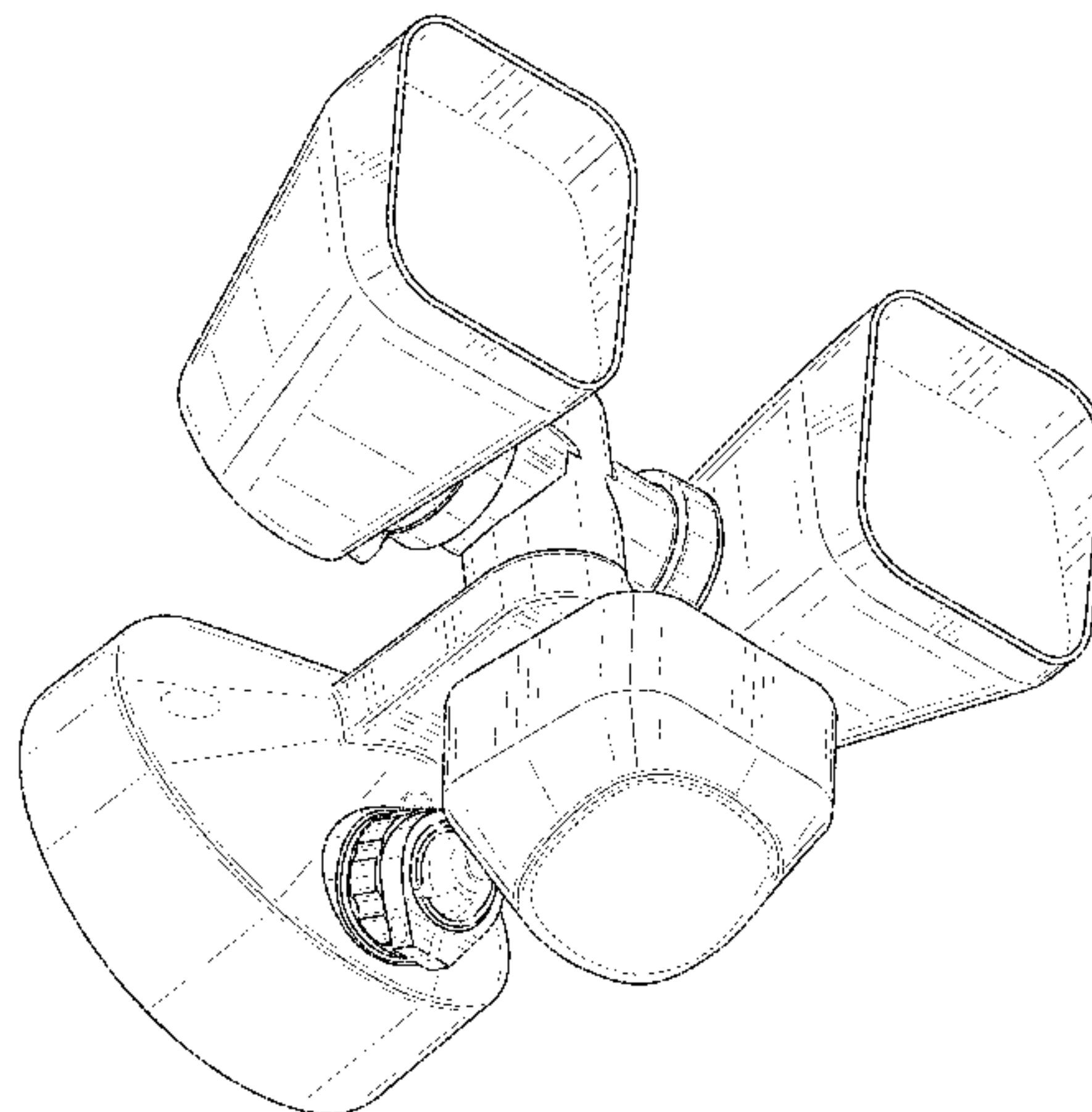
FIG. 1 is a front, left, bottom perspective view of a flood light showing our new design;  
FIG. 2 is a rear, right, top perspective view thereof;  
FIG. 3 is a front, right, top perspective view thereof;  
FIG. 4 is a rear, left, bottom perspective view thereof;  
FIG. 5 is a front elevation view thereof;  
FIG. 6 is a rear elevation view thereof;  
FIG. 7 is a left side view thereof;  
FIG. 8 is a right side view thereof;  
FIG. 9 is a top plan view thereof; and,  
FIG. 10 is a bottom plan view thereof.  
The broken lines shown in the drawings depict portions of the flood light that form no part of the claimed design.

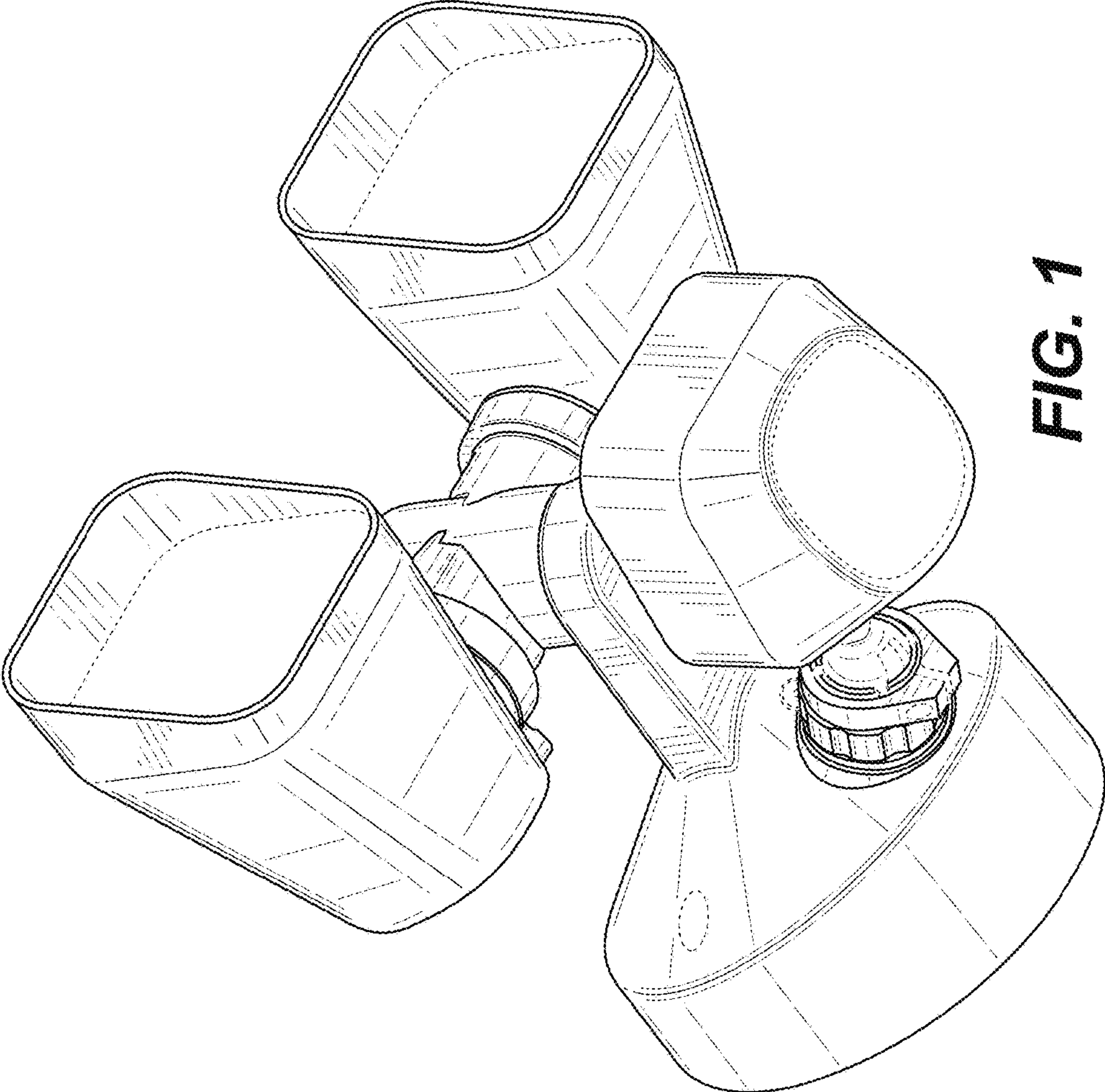
(56) **References Cited**

U.S. PATENT DOCUMENTS

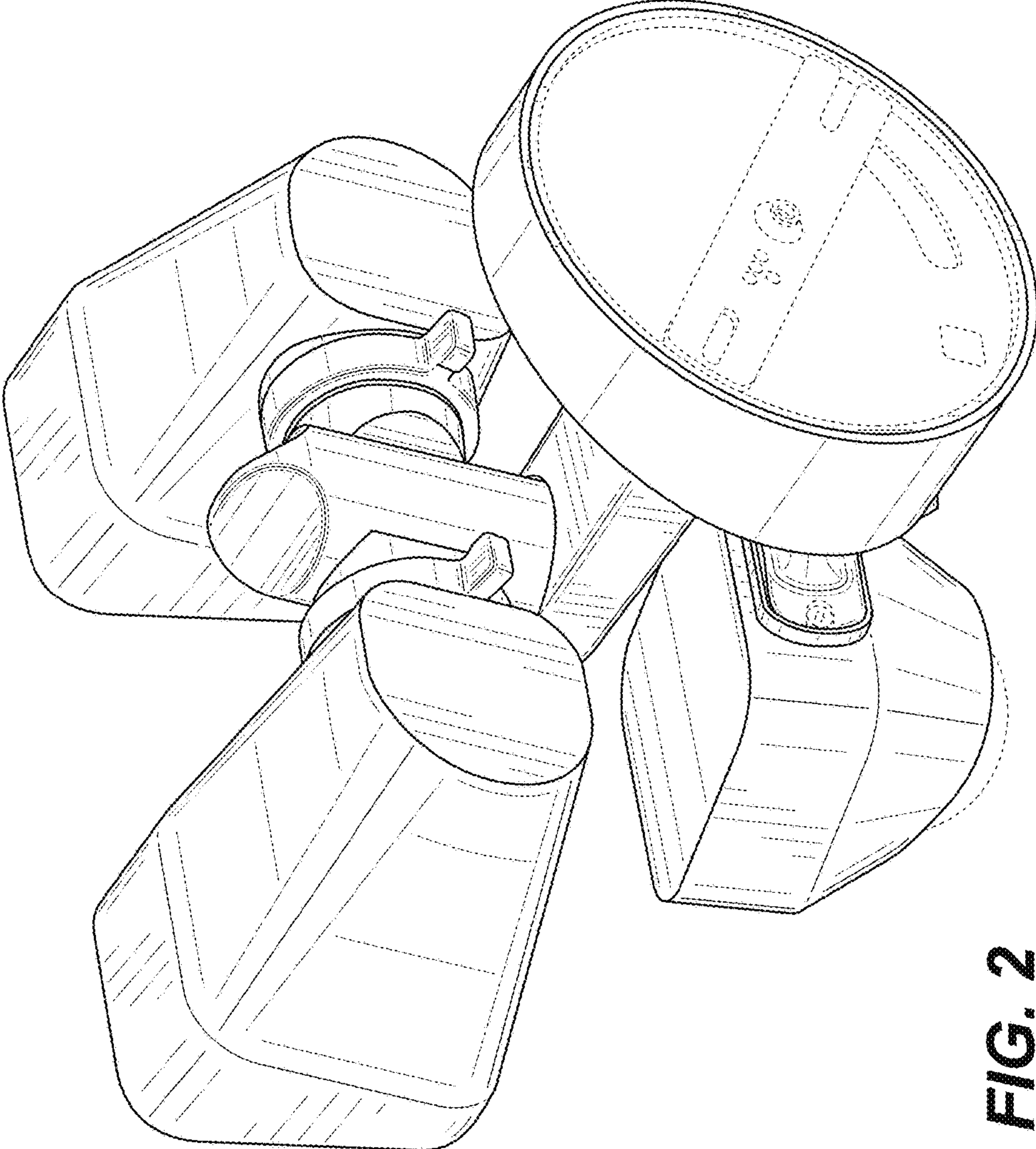
5,258,899 A \* 11/1993 Chen ..... F21V 17/02  
362/394  
5,381,323 A \* 1/1995 Osteen ..... F21V 17/02  
340/567  
D361,149 S \* 8/1995 Wedell ..... D26/63  
5,649,761 A \* 7/1997 Sandell ..... F21V 17/02  
362/276  
D392,065 S 3/1998 Morrow et al.  
D441,113 S \* 4/2001 Small ..... D26/63  
D713,579 S \* 9/2014 Chen ..... D26/63  
D713,581 S \* 9/2014 Chen ..... D26/63  
D713,582 S \* 9/2014 Liang ..... D26/63  
D742,053 S \* 10/2015 Sussman ..... D26/63

**1 Claim, 10 Drawing Sheets**



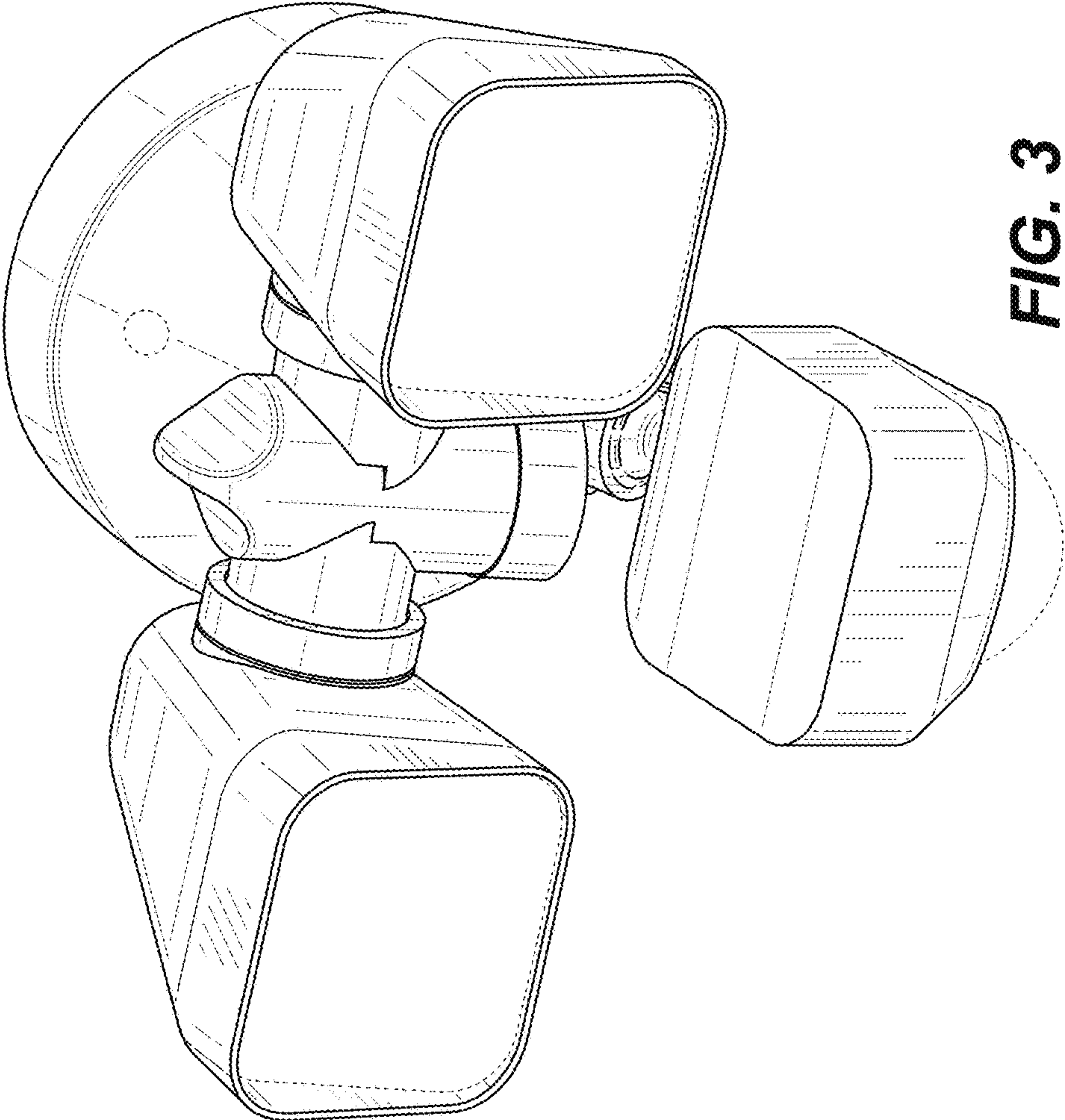


**FIG. 1**

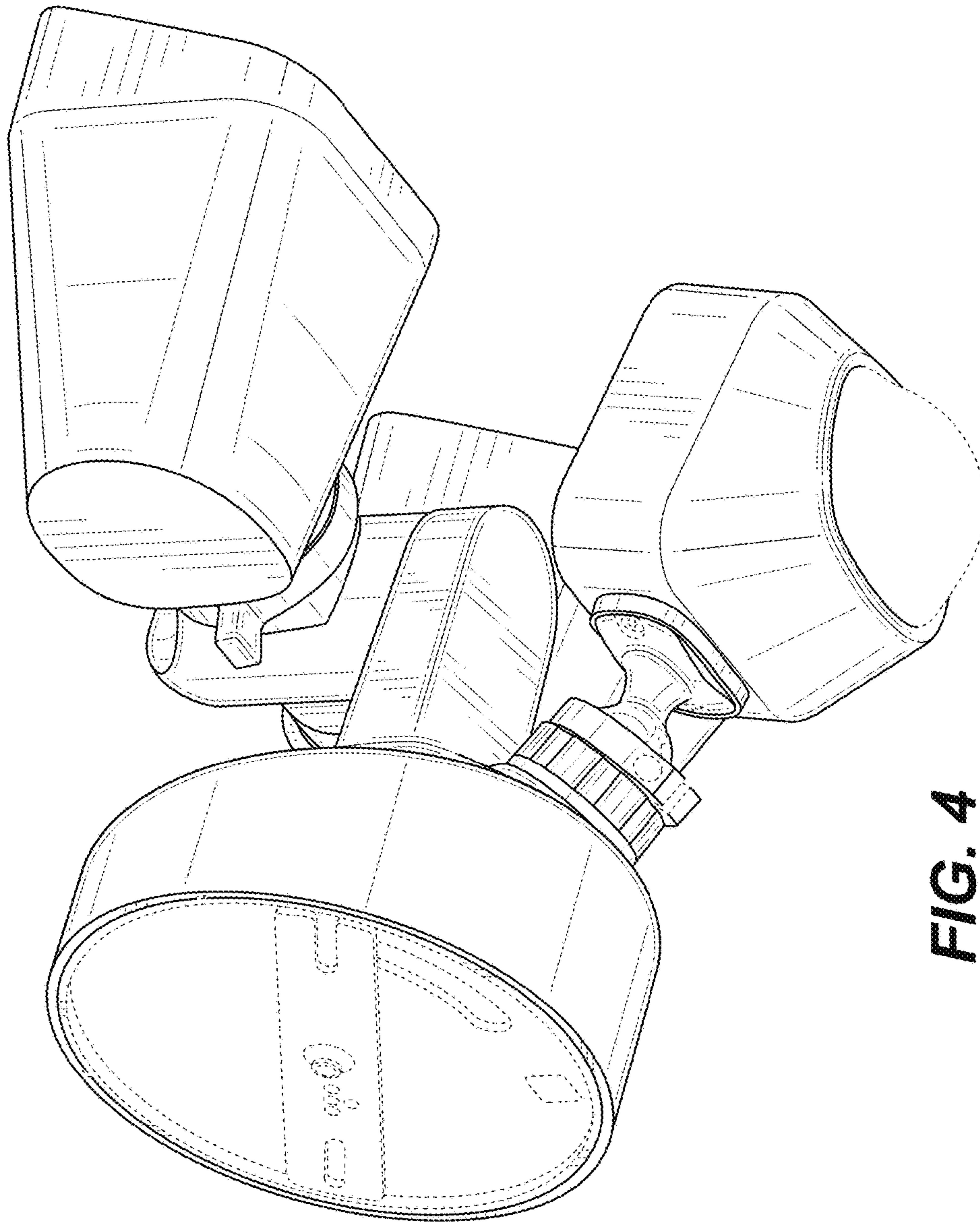


**FIG. 2**

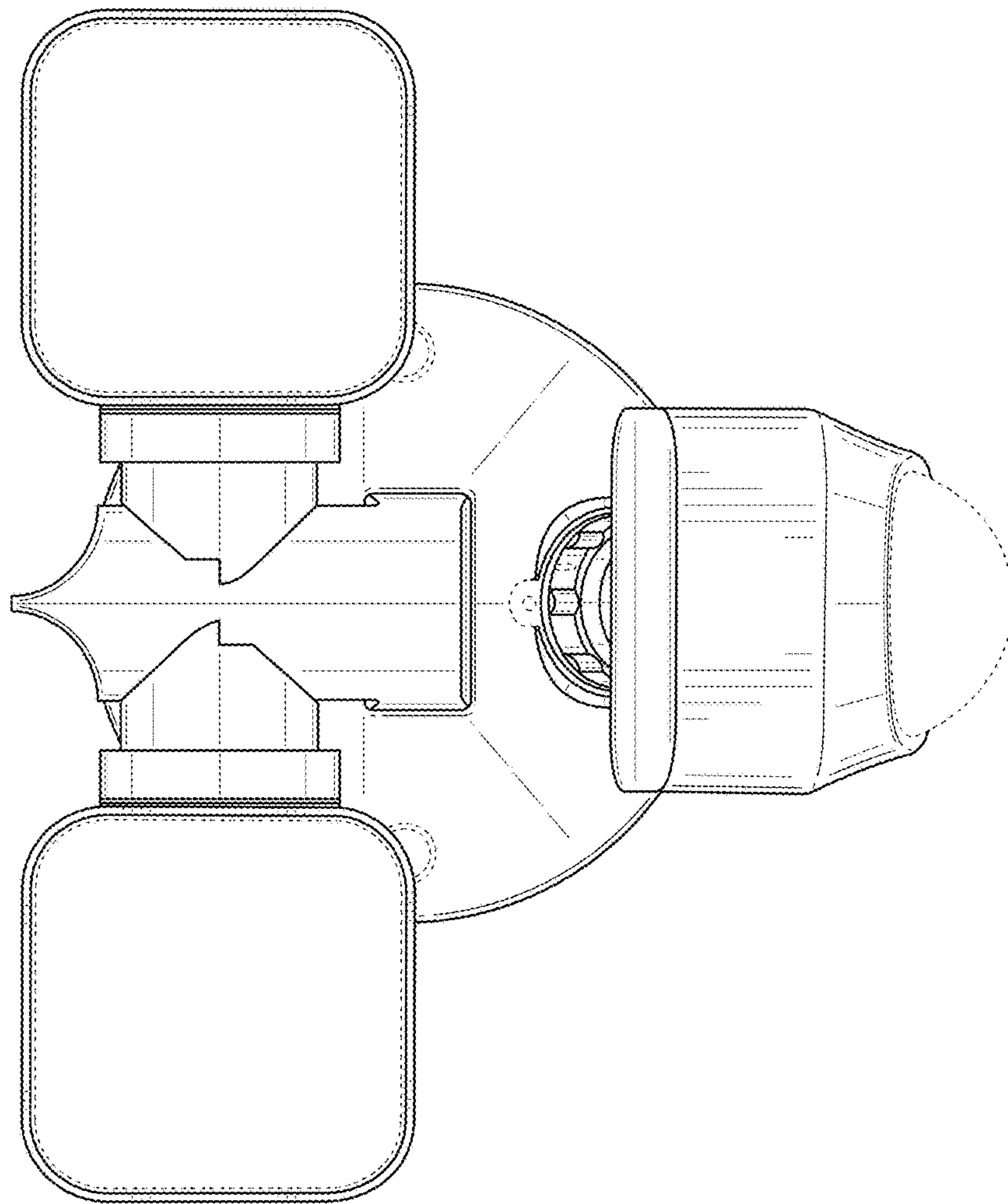




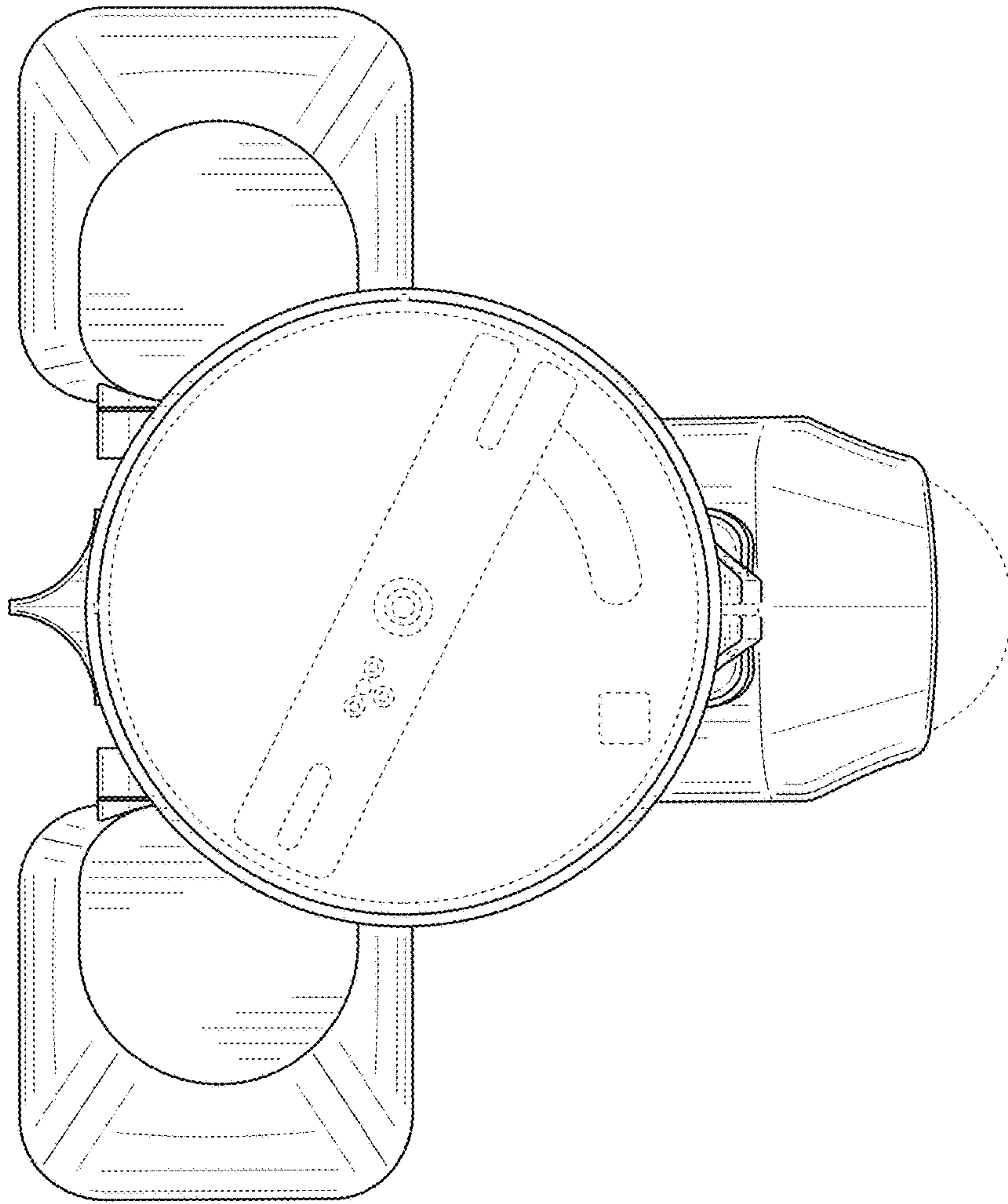
**FIG. 3**



**FIG. 4**



**FIG. 5**



**FIG. 6**

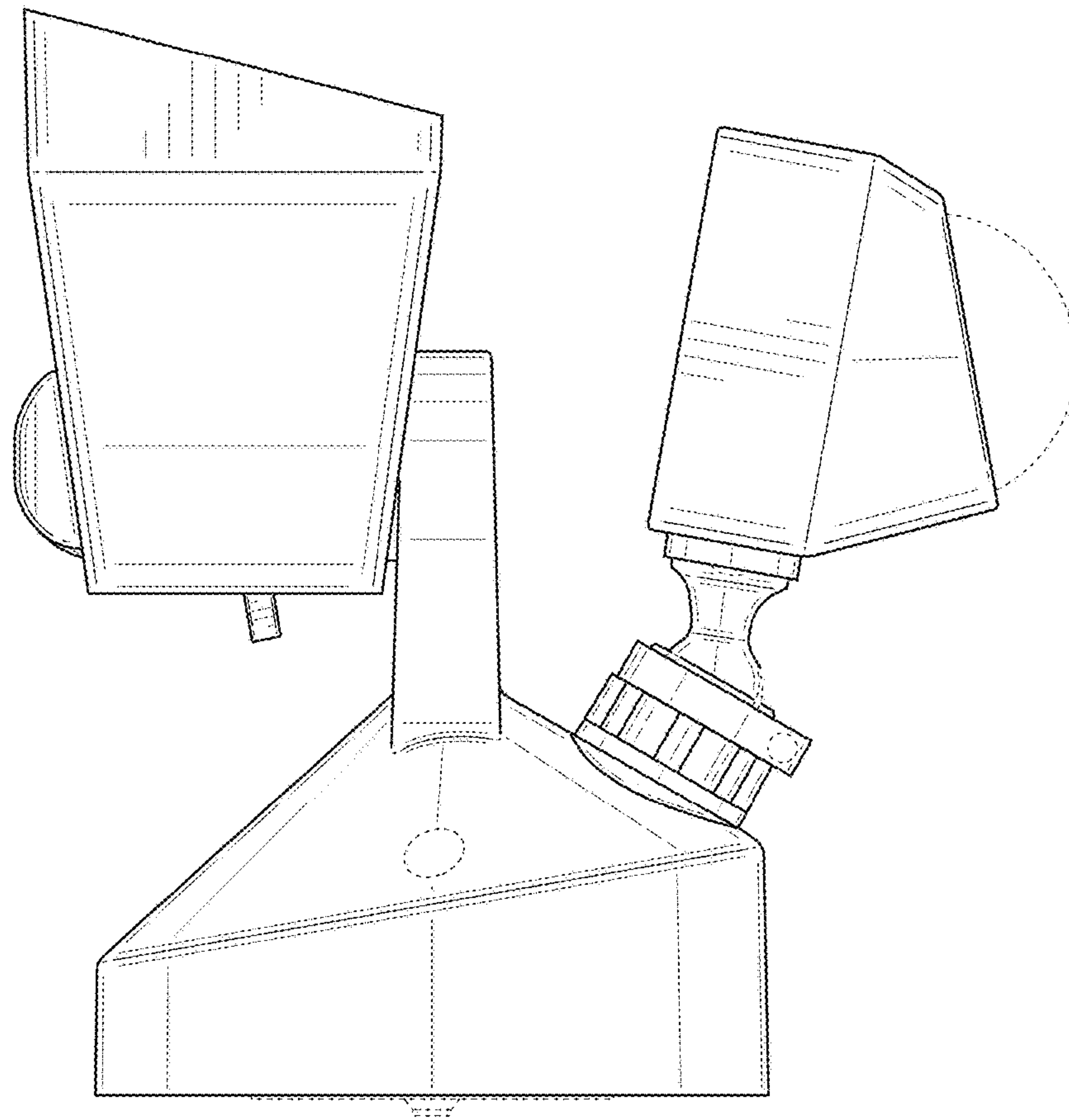
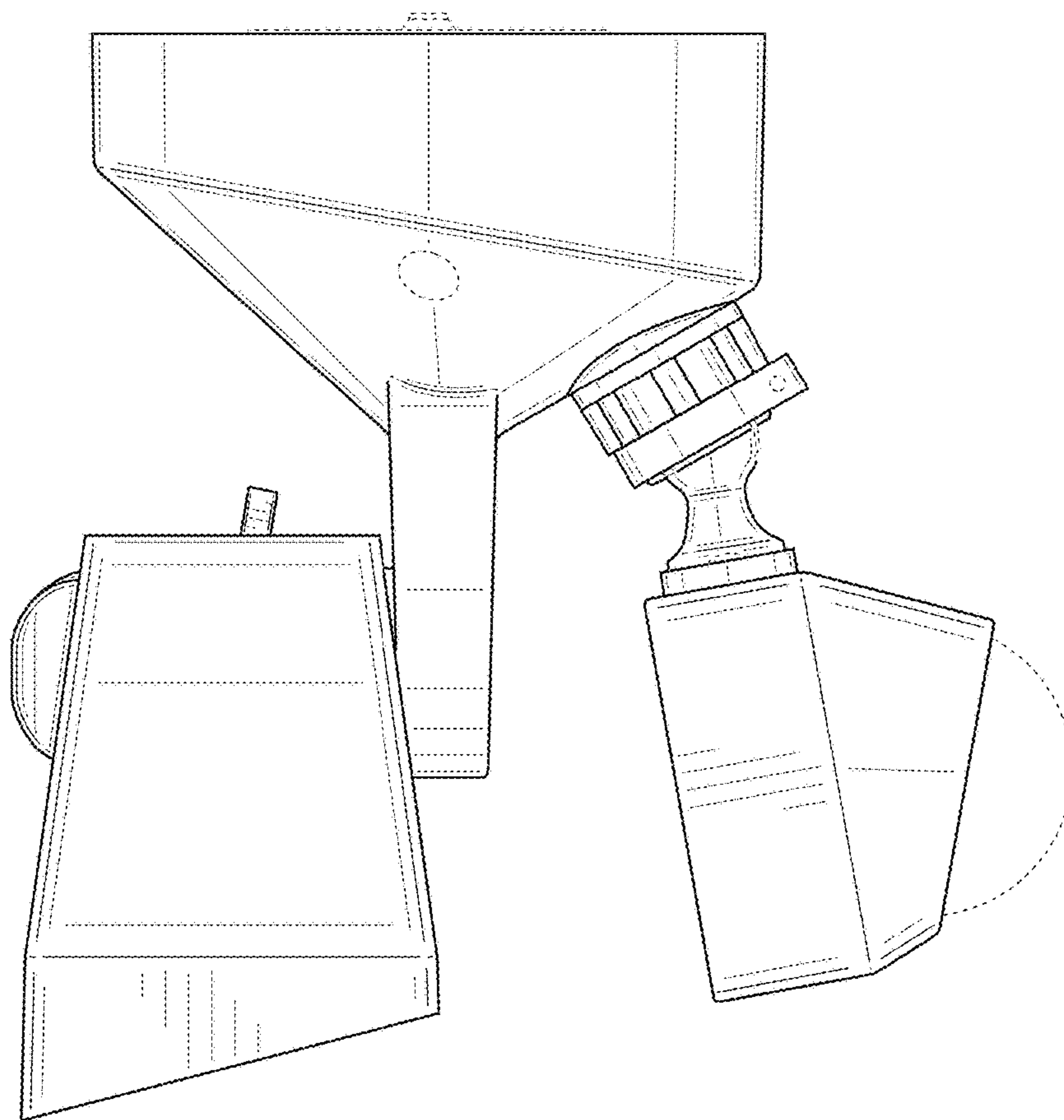
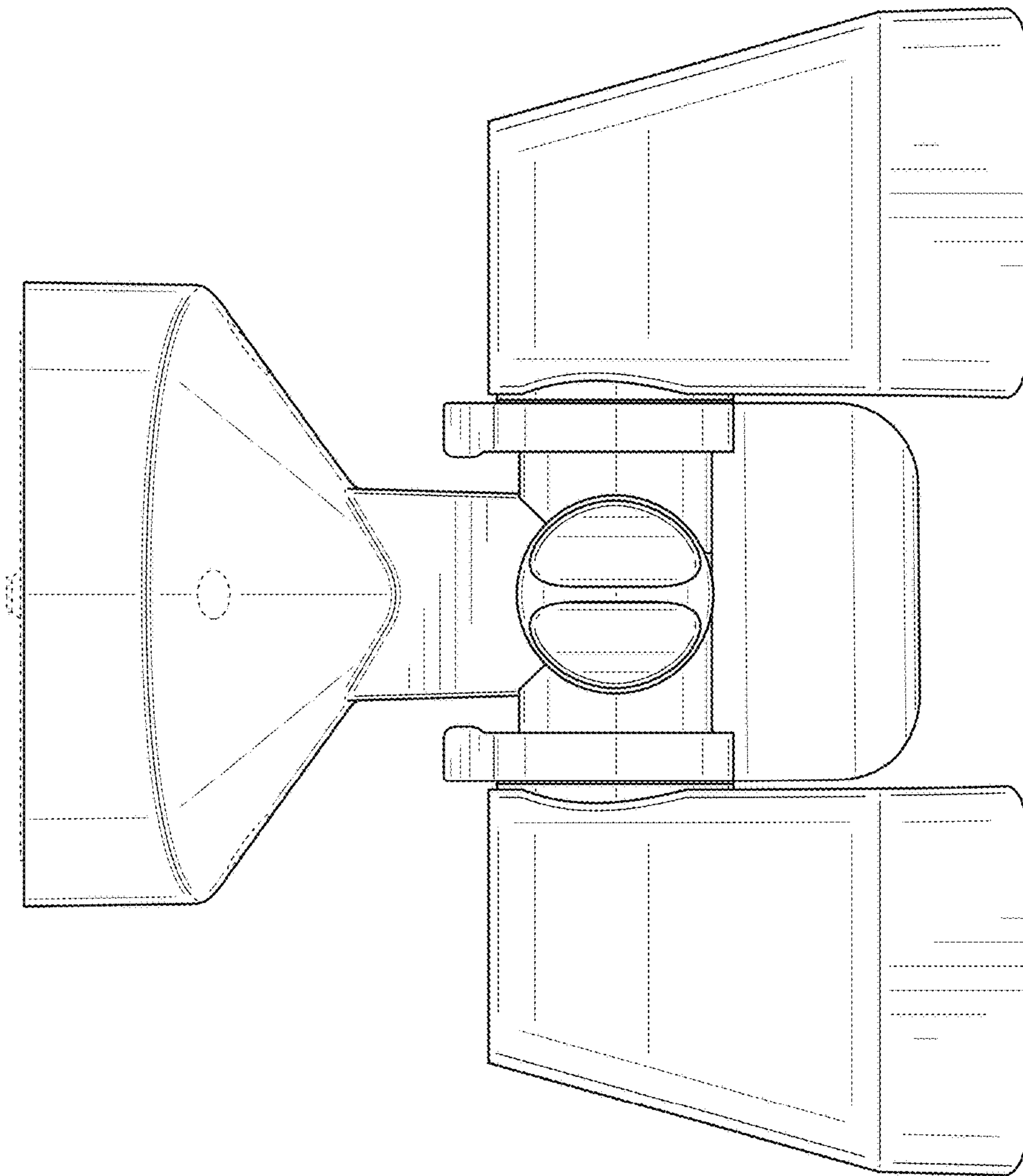


FIG. 7

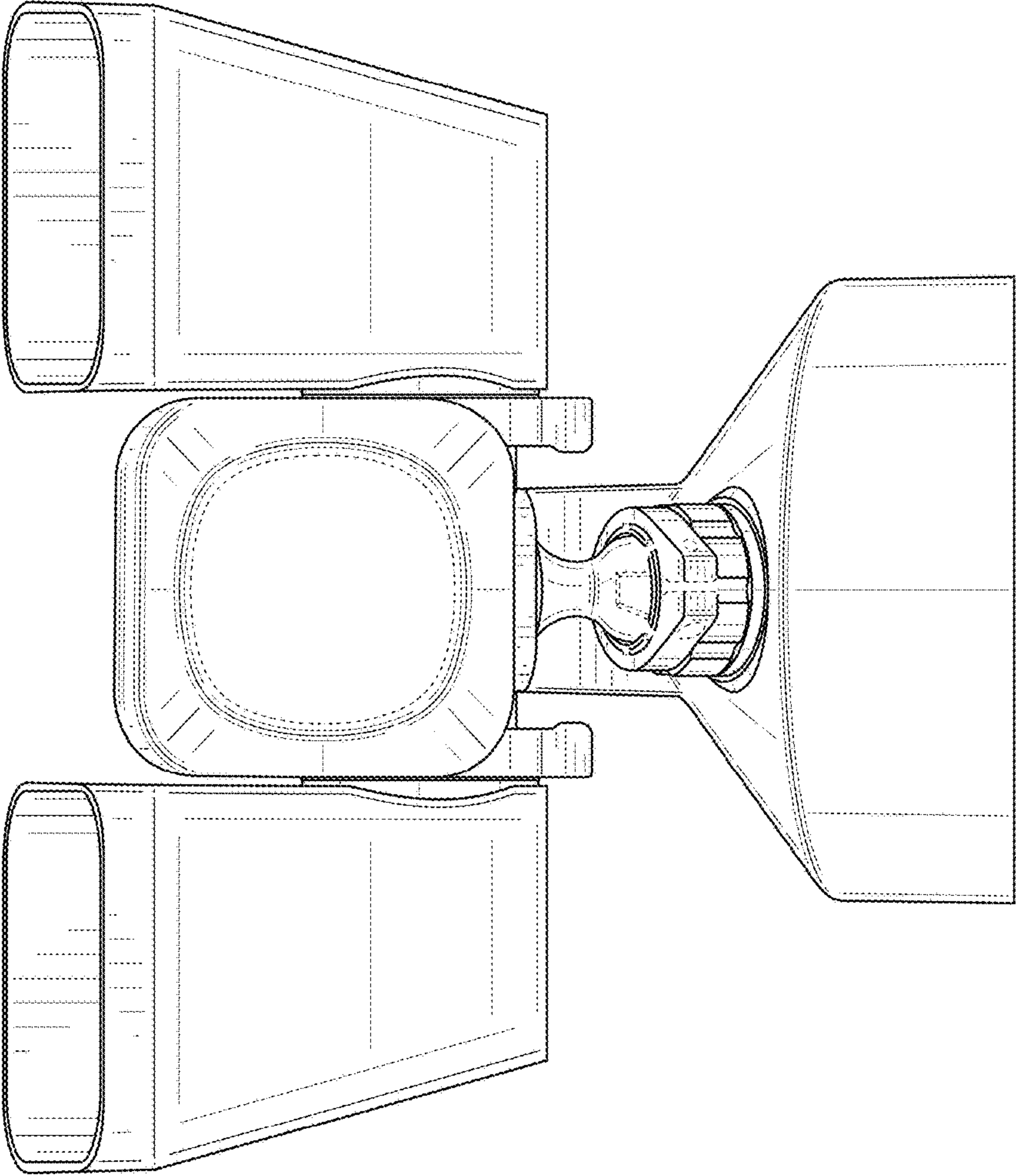




**FIG. 8**



**FIG. 9**



**FIG. 10**