

US00D869036S

(12) **United States Design Patent**
Brockie et al.

(10) **Patent No.:** **US D869,036 S**

(45) **Date of Patent:** **** Dec. 3, 2019**

(54) **BIKE LIGHT**

(71) Applicant: **Theta Consuting LLC**, Newport Beach, CA (US)

(72) Inventors: **Craig Brockie**, Newport Beach, CA (US); **Duofeng Zou**, JiaXing (CN)

(73) Assignee: **Theta Consulting LLC**, Newport Beach, CA (US)

(**) Term: **15 Years**

(21) Appl. No.: **29/661,272**

(22) Filed: **Aug. 26, 2018**

(51) **LOC (12) Cl.** **26-05**

(52) **U.S. Cl.**
USPC **D26/60; D26/28**

(58) **Field of Classification Search**
USPC D26/1, 24, 39, 60, 61, 62, 64–66, 72; D8/72, 73, 394, 396; D10/104.1, 106.1, D10/114.2, 114.3; D20/10, 16, 17, 19, D20/21, 29; 362/157, 171, 362, 365, 362/368, 370, 473, 474, 486
CPC F21W 2107/00; F21W 2107/13; F21W 2107/17; F21S 9/00; F21S 9/02; F21S 9/22; F21S 41/18; F21S 41/19; F21S 41/192–198; F21S 8/00; F21S 8/02; F21S 8/03; F21S 8/06; F21S 8/003; F21S 8/043; F21V 15/01; F21V 15/04
See application file for complete search history.

(56) **References Cited**

U.S. PATENT DOCUMENTS

D344,148 S * 2/1994 Yuen D26/28
D362,736 S * 9/1995 Leather D10/114.1

D472,998 S * 4/2003 Paris D26/39
D630,359 S * 1/2011 Kang D26/61
D678,562 S * 3/2013 Chan D26/28
D703,850 S * 4/2014 Alvarado D26/39
8,752,974 B2 * 6/2014 Leibowitz A63B 71/0686
362/103
D752,252 S * 3/2016 Ruthling D26/28
D758,629 S * 6/2016 Matthews D26/39
D795,477 S * 8/2017 Fissell D26/60
D810,339 S * 2/2018 Peng D26/60
D812,278 S * 3/2018 Pontano D26/39
D824,063 S * 7/2018 Hutchens D26/60
D836,225 S * 12/2018 Finch D26/28
D840,078 S * 2/2019 Marshall D26/60
D840,079 S * 2/2019 Marshall D26/60

* cited by examiner

Primary Examiner — Wan Laymon

Assistant Examiner — Clint A Samuel

(74) *Attorney, Agent, or Firm* — AU LLC; Adam E. Urbanczyk

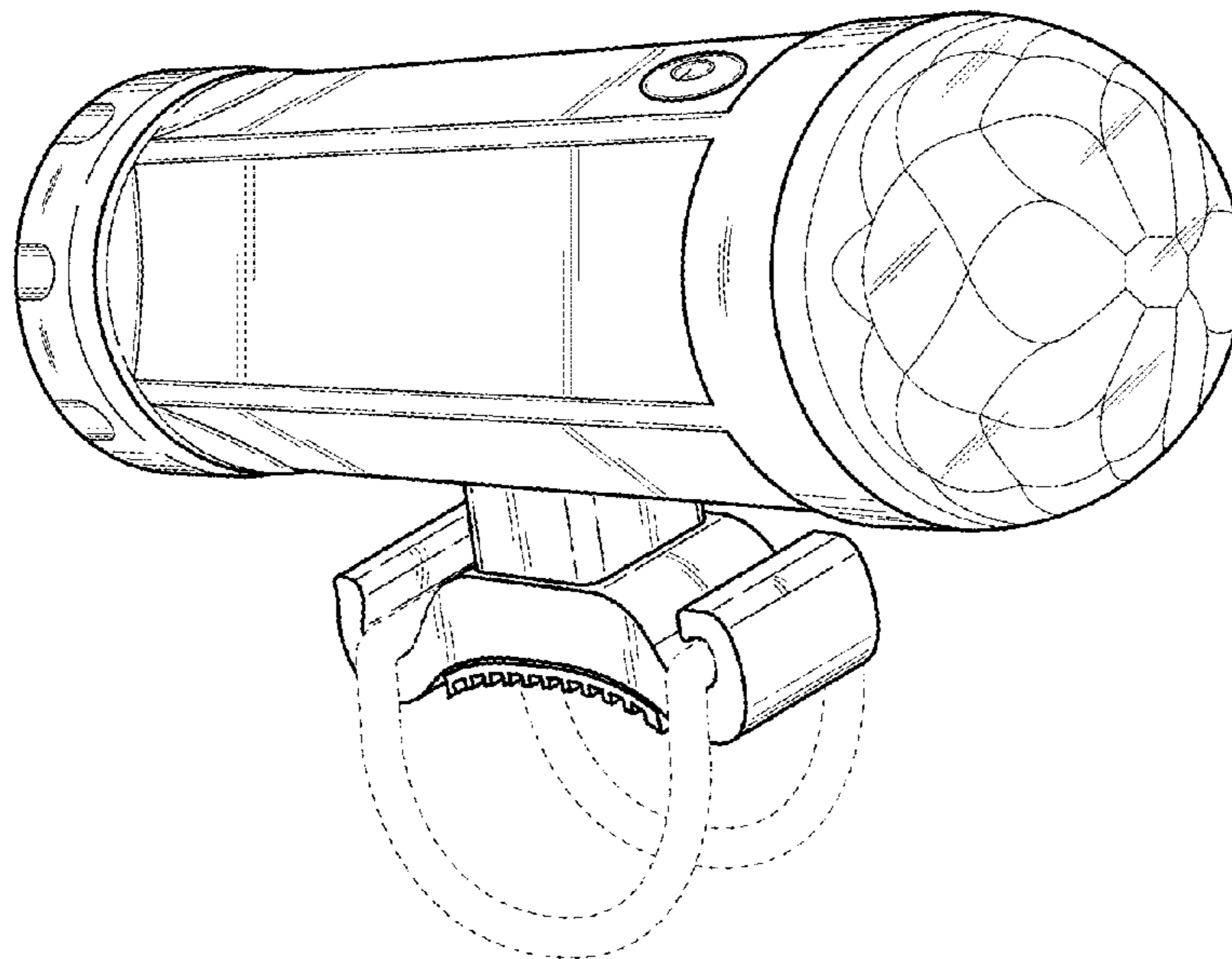
(57) **CLAIM**

The ornamental design for a bike light, as shown and described.

DESCRIPTION

FIG. 1 is a left perspective view of a bike light; FIG. 2 is a rear view thereof; FIG. 3 is a left side view thereof; FIG. 4 is a front view thereof; FIG. 5 is a top view thereof; FIG. 6 is a bottom view thereof; and, FIG. 7 is a right side view thereof. The broken lines showing in the drawings are for the purpose of illustrating environmental structure and form no part of the claimed design.

1 Claim, 7 Drawing Sheets



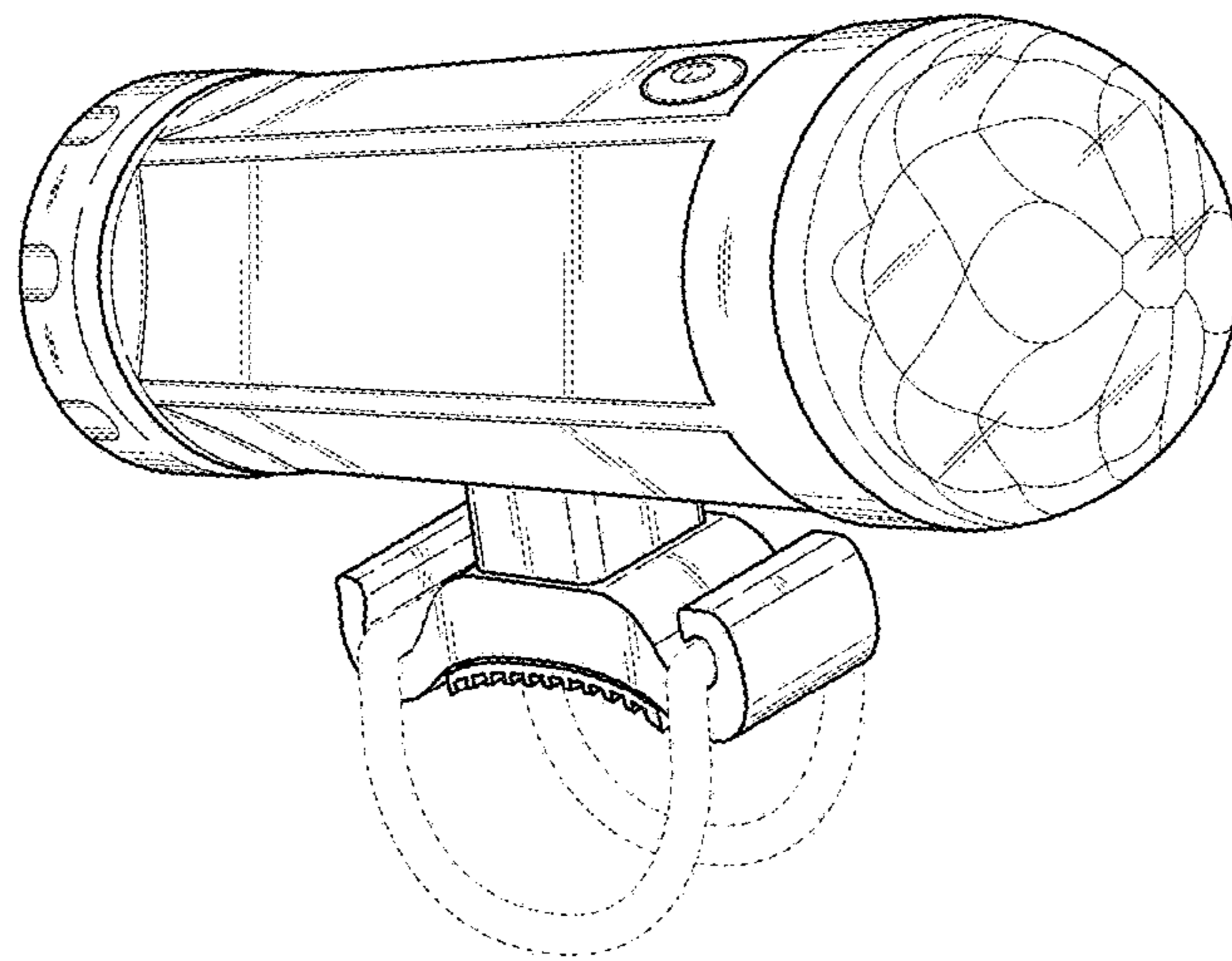


FIG. 1

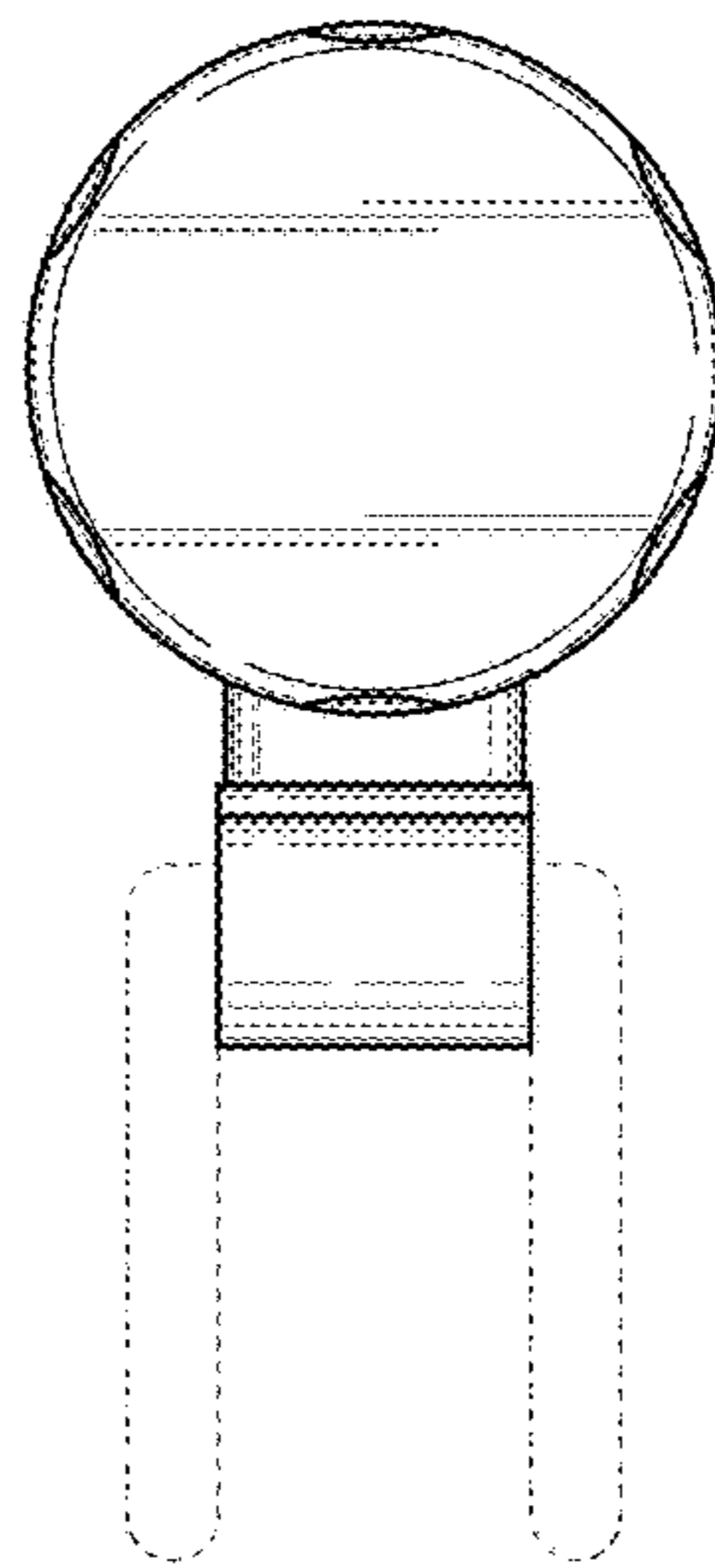


FIG. 2

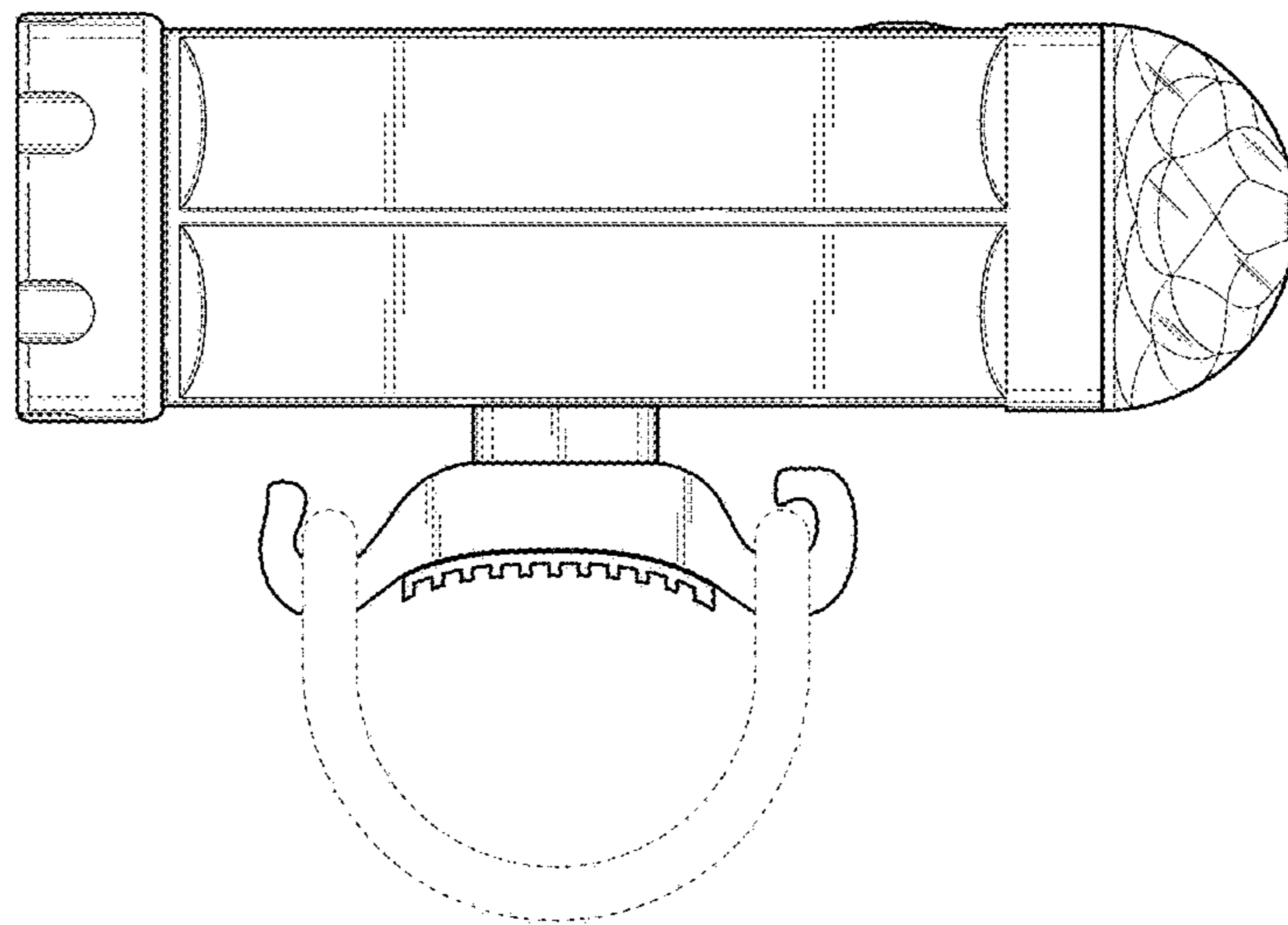


FIG. 3

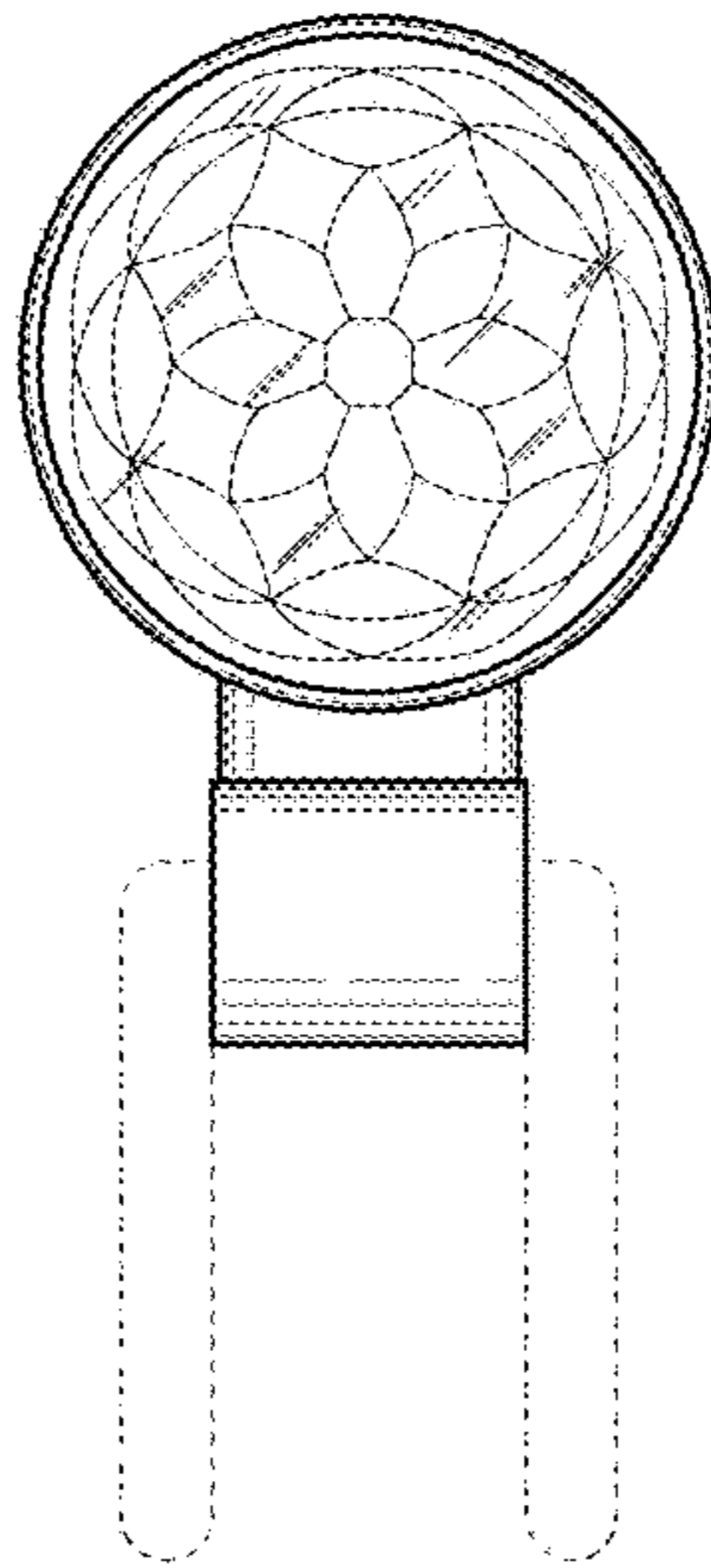


FIG. 4

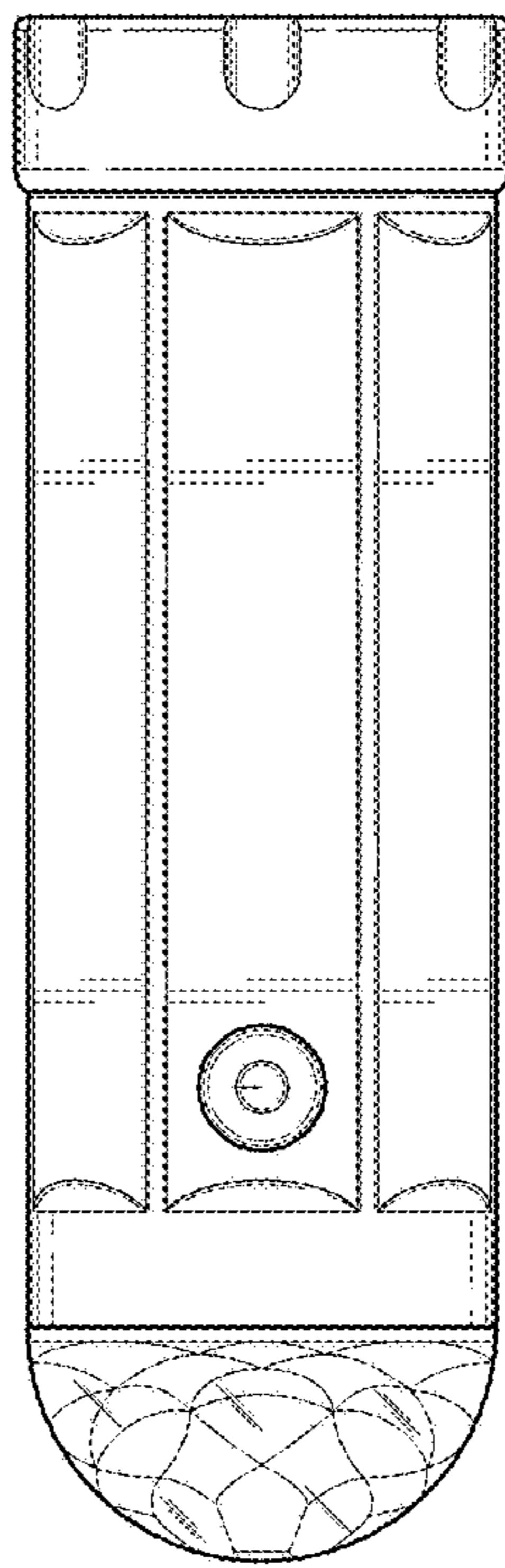


FIG. 5

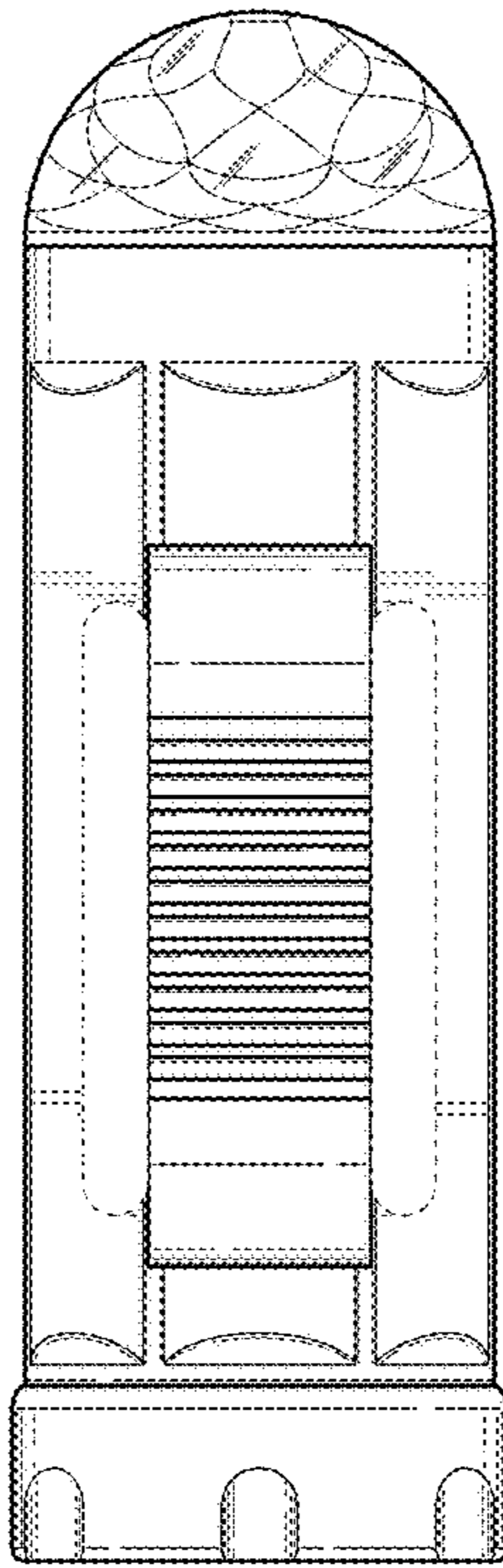


FIG. 6

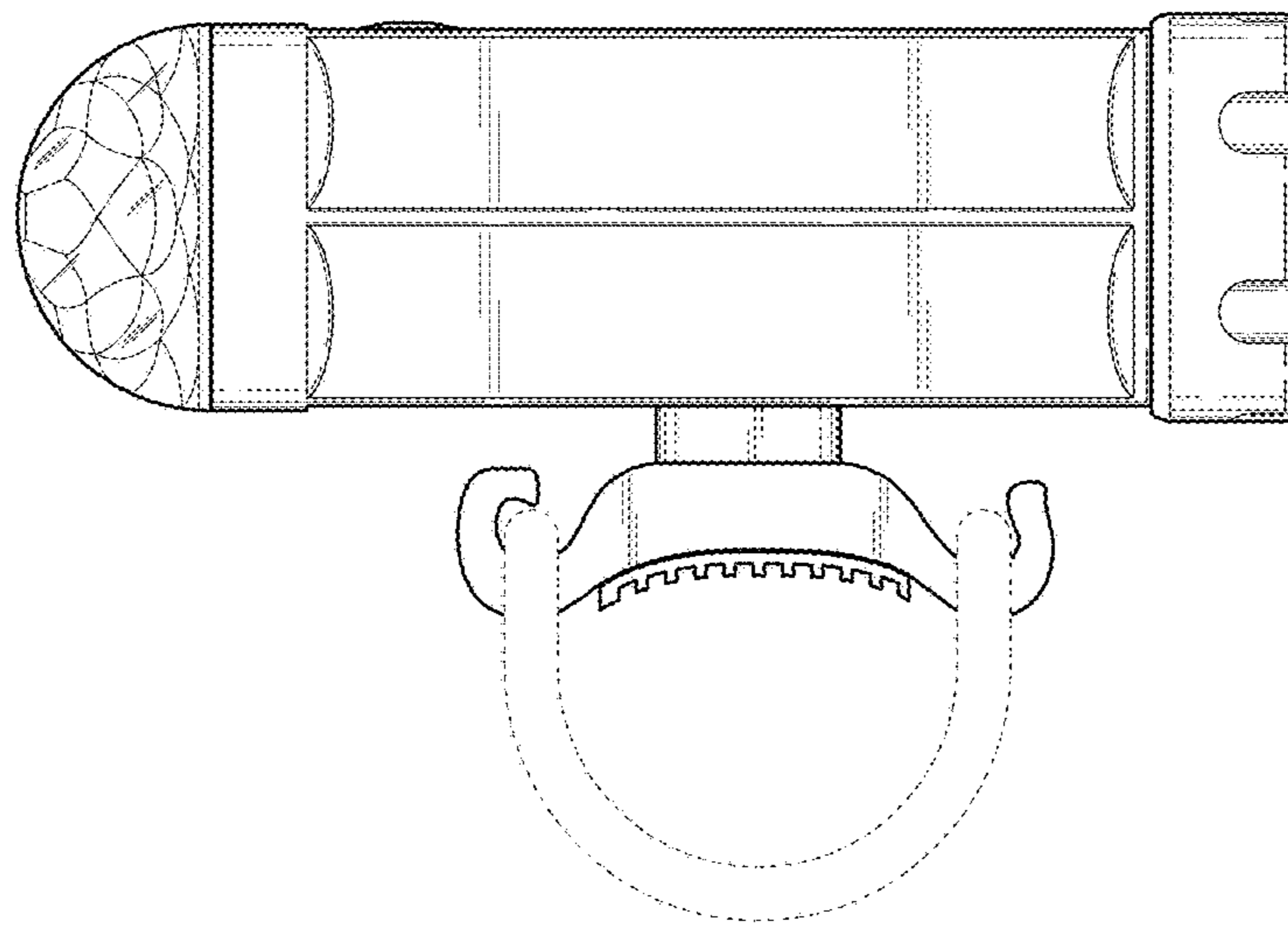


FIG. 7