

US00D869035S

(12) **United States Design Patent** (10) **Patent No.:** **US D869,035 S**
Durako (45) **Date of Patent:** **** Dec. 3, 2019**

(54) **FLASHLIGHT**

(71) Applicant: **James Durako**, Williamsport, IN (US)

(72) Inventor: **James Durako**, Williamsport, IN (US)

(**) Term: **15 Years**

(21) Appl. No.: **29/577,580**

(22) Filed: **Sep. 14, 2016**

(51) **LOC (12) Cl.** **26-02**

(52) **U.S. Cl.**
 USPC **D26/49**

(58) **Field of Classification Search**
 USPC D26/37, 46, 38, 49, 51; D22/108, 117;
 D16/132
 CPC F21L 2003/00; F21L 4/00; F21L 4/005;
 F21L 4/02; F21L 4/025; F21L 4/027;
 F21L 4/04; F21L 4/08; F21L 2005/00;
 F21L 7/00; F21L 11/00; F21L 13/00;
 F21L 13/04; F21L 13/08; F21L 14/02;
 F21L 17/00; F21L 19/00
 See application file for complete search history.

D709,232 S * 7/2014 Inskeep D26/49
 D709,234 S * 7/2014 Inskeep D26/49
 D716,984 S * 11/2014 Inskeep D26/49
 D739,060 S * 9/2015 Chouprinov D22/117
 D745,200 S * 12/2015 Inskeep D26/49
 D749,766 S * 2/2016 Nguyen D26/49
 D767,805 S * 9/2016 Son D26/49
 D785,843 S * 5/2017 Wen D26/49

* cited by examiner

Primary Examiner — Lakiya G Rogers
Assistant Examiner — Carissa C Fitts
 (74) *Attorney, Agent, or Firm* — Tyler B. Droste;
 Gutwein Law

(57) **CLAIM**

The ornamental design for a flashlight, as shown and described.

DESCRIPTION

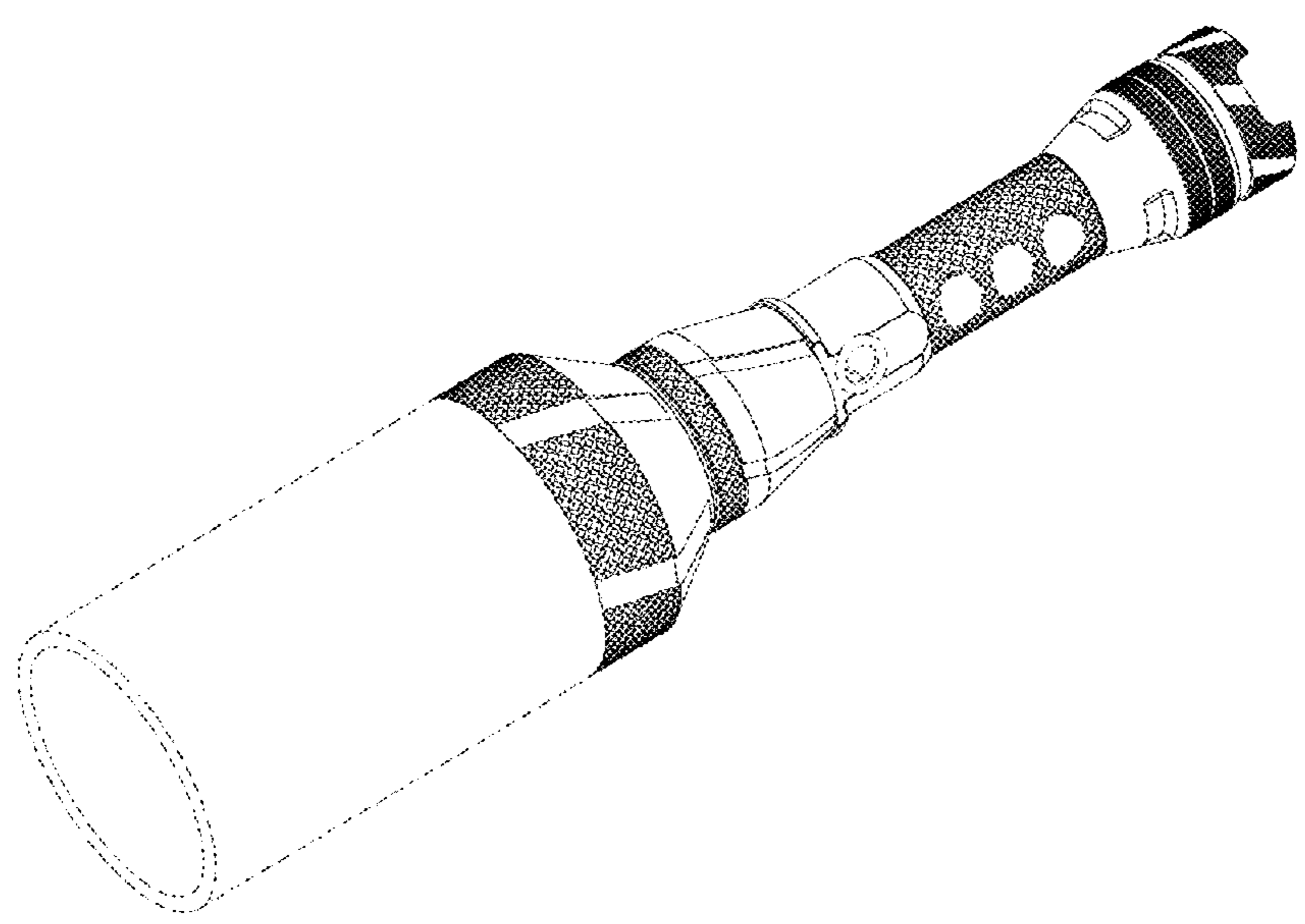
FIG. 1 is a top view of the flashlight, showing our new design;
 FIG. 2 is a side view of the flashlight, showing our new design;
 FIG. 3 is a front view of the flashlight, showing our new design;
 FIG. 4 is a frontal perspective view of the flashlight, showing our new design;
 FIG. 5 is a rear perspective view of the flashlight, showing our new design; and,
 FIG. 6 is a side perspective view of the flashlight, showing our new design.
 The broken lines show portions of the flashlight not claimed and form no part of the claimed design.

(56) **References Cited**

U.S. PATENT DOCUMENTS

D590,972 S * 4/2009 Palmer D26/49
 D599,928 S * 9/2009 Shiu D26/49
 D608,481 S 1/2010 Yang
 D629,542 S * 12/2010 Robinson D26/49
 D636,511 S * 4/2011 Cen D26/49
 D659,868 S * 5/2012 Deguglimo D26/49
 D660,488 S * 5/2012 Ye D26/49
 D667,578 S 9/2012 Milz et al.
 D703,358 S * 4/2014 Shiu D26/49
 D706,897 S * 6/2014 Sheikh D22/117
 D709,231 S * 7/2014 Nguyen D26/49

1 Claim, 6 Drawing Sheets



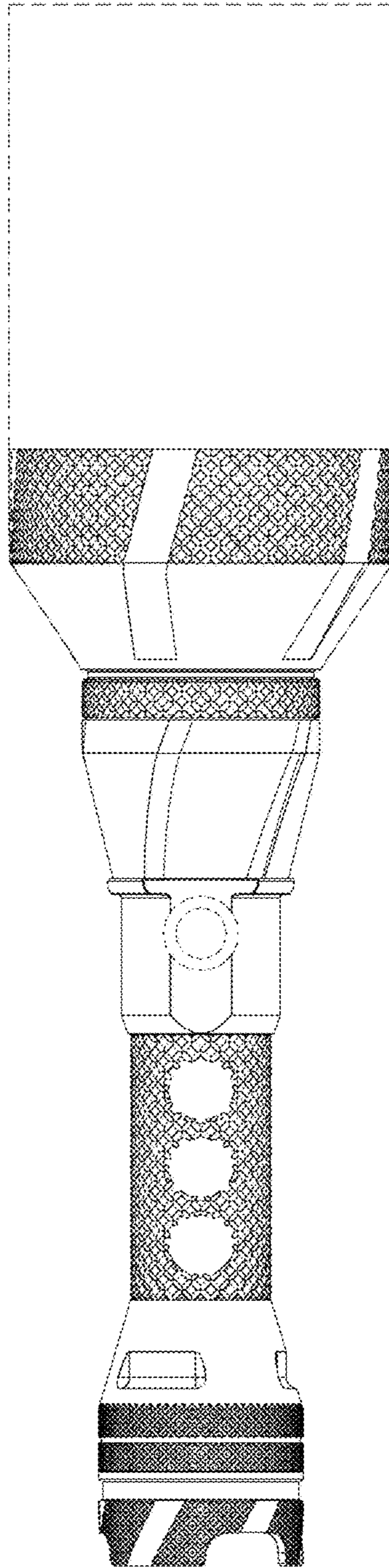


FIG. 1

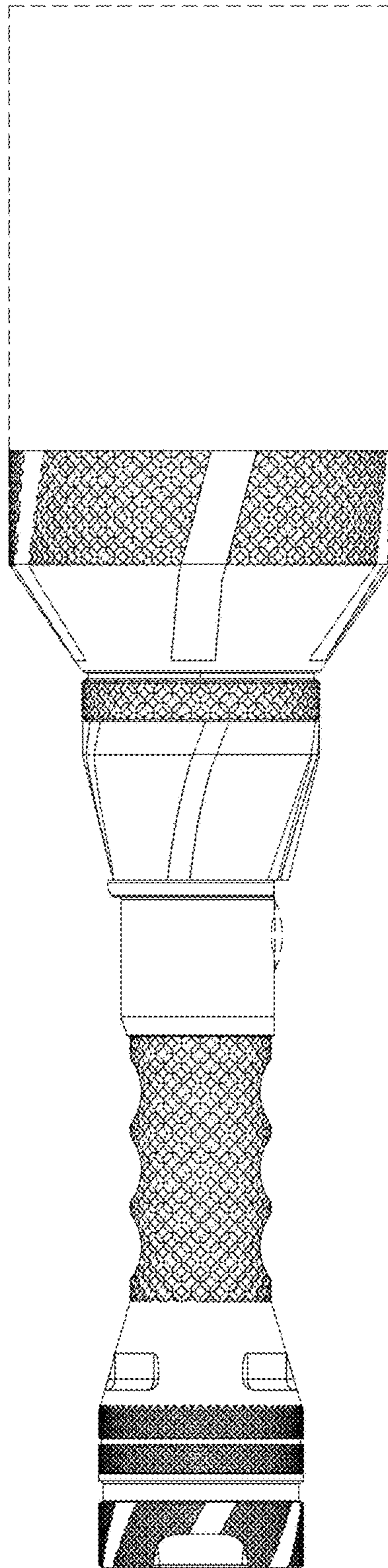


FIG. 2

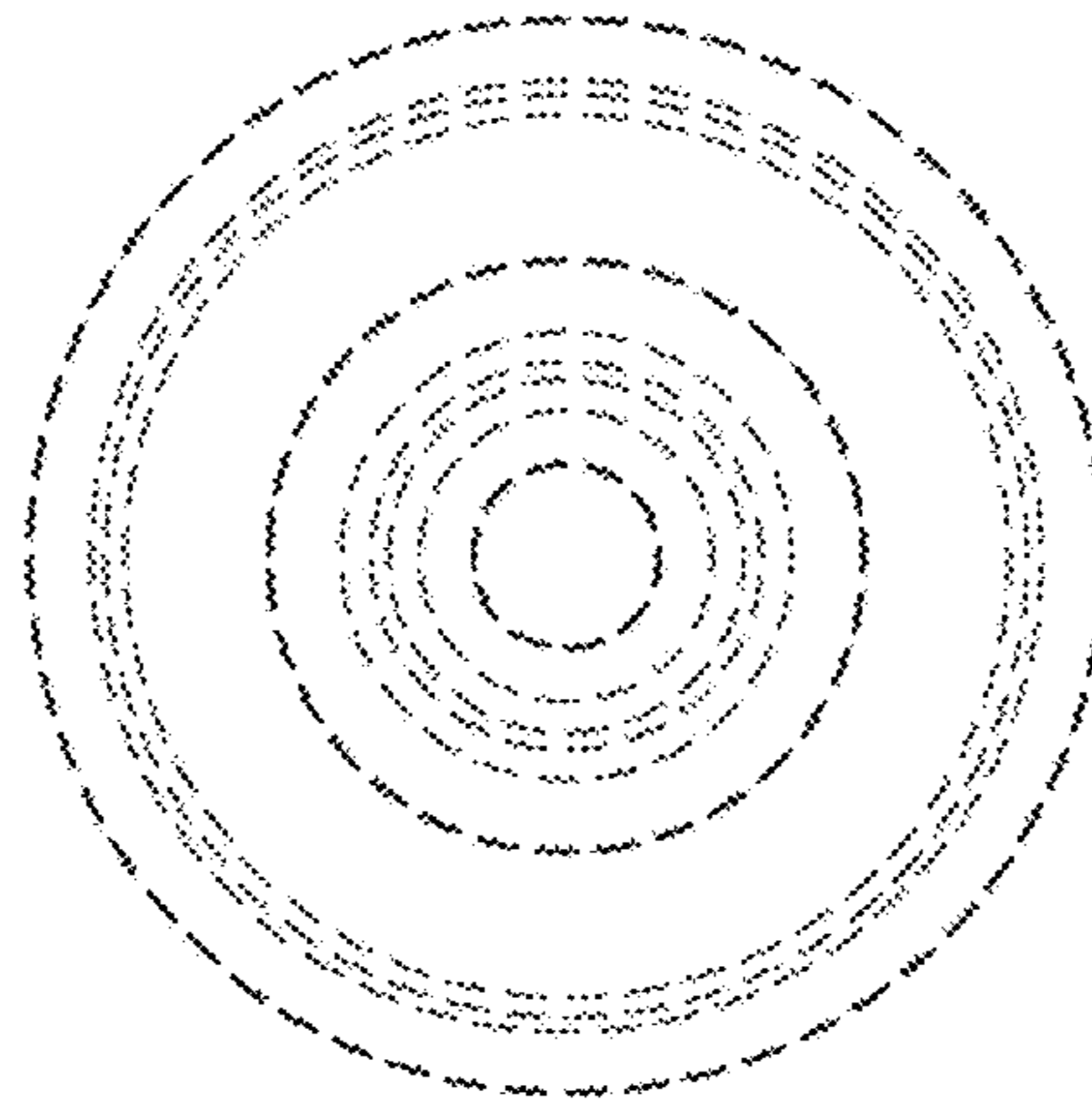


FIG. 3

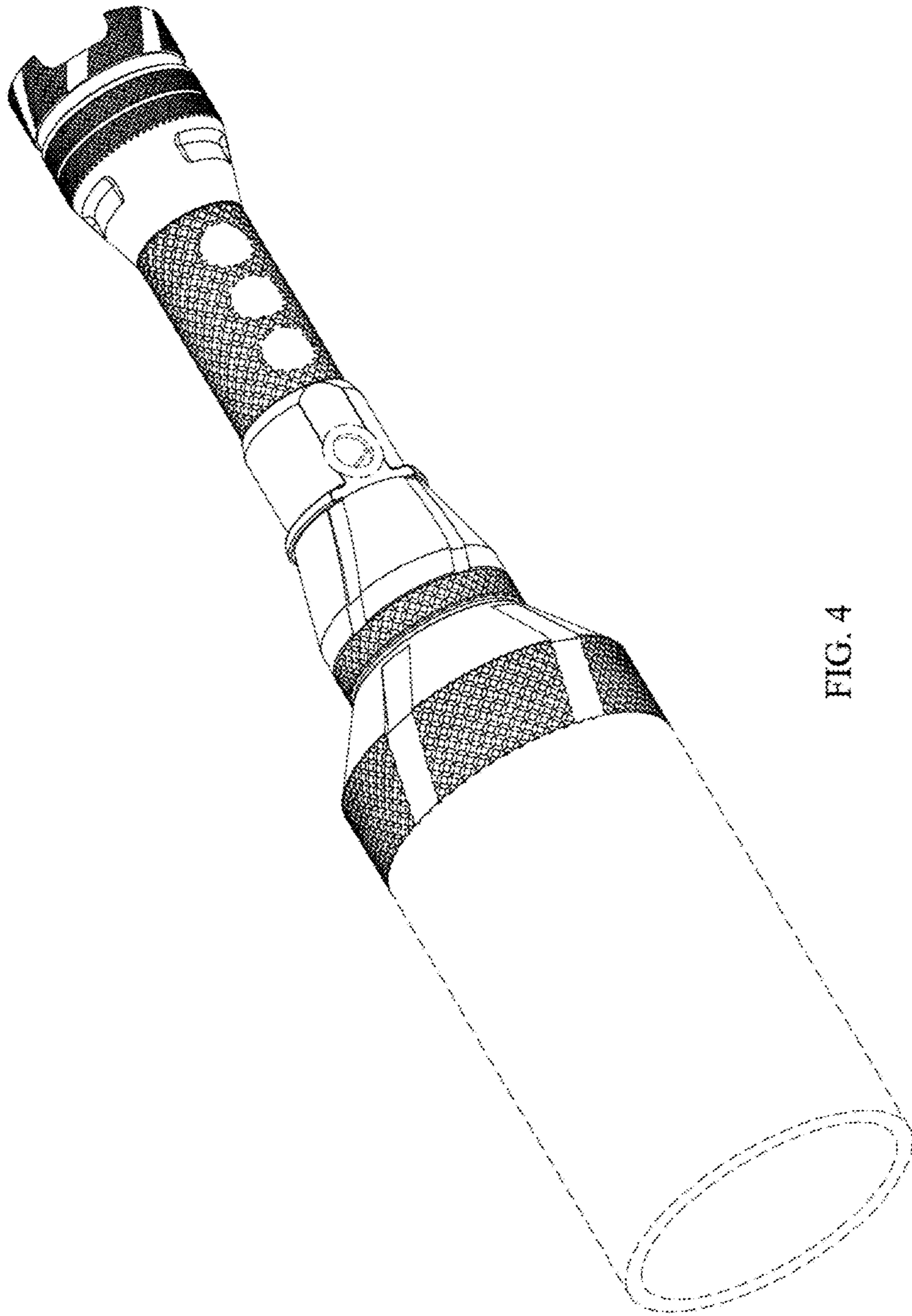


FIG. 4

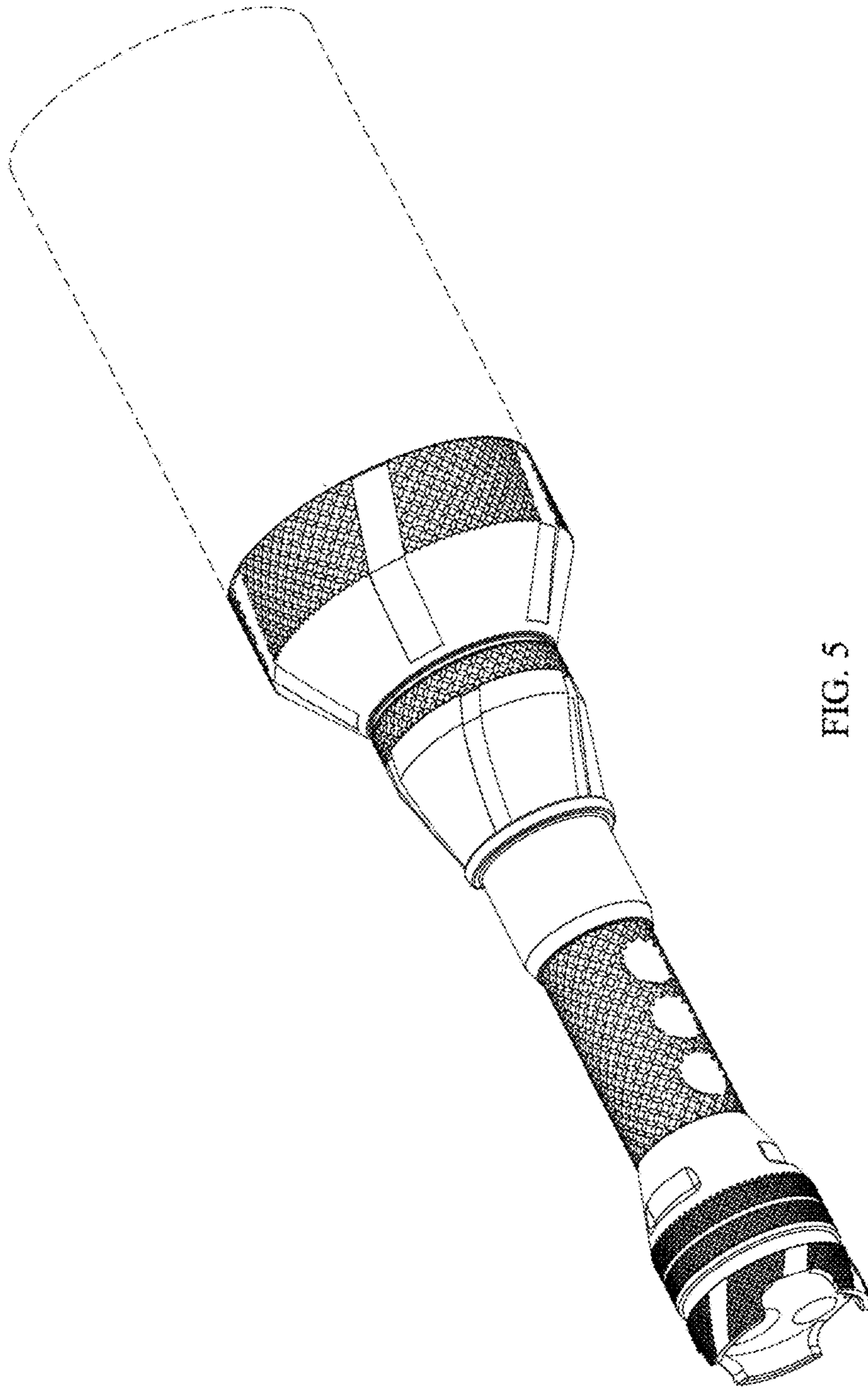


FIG. 5

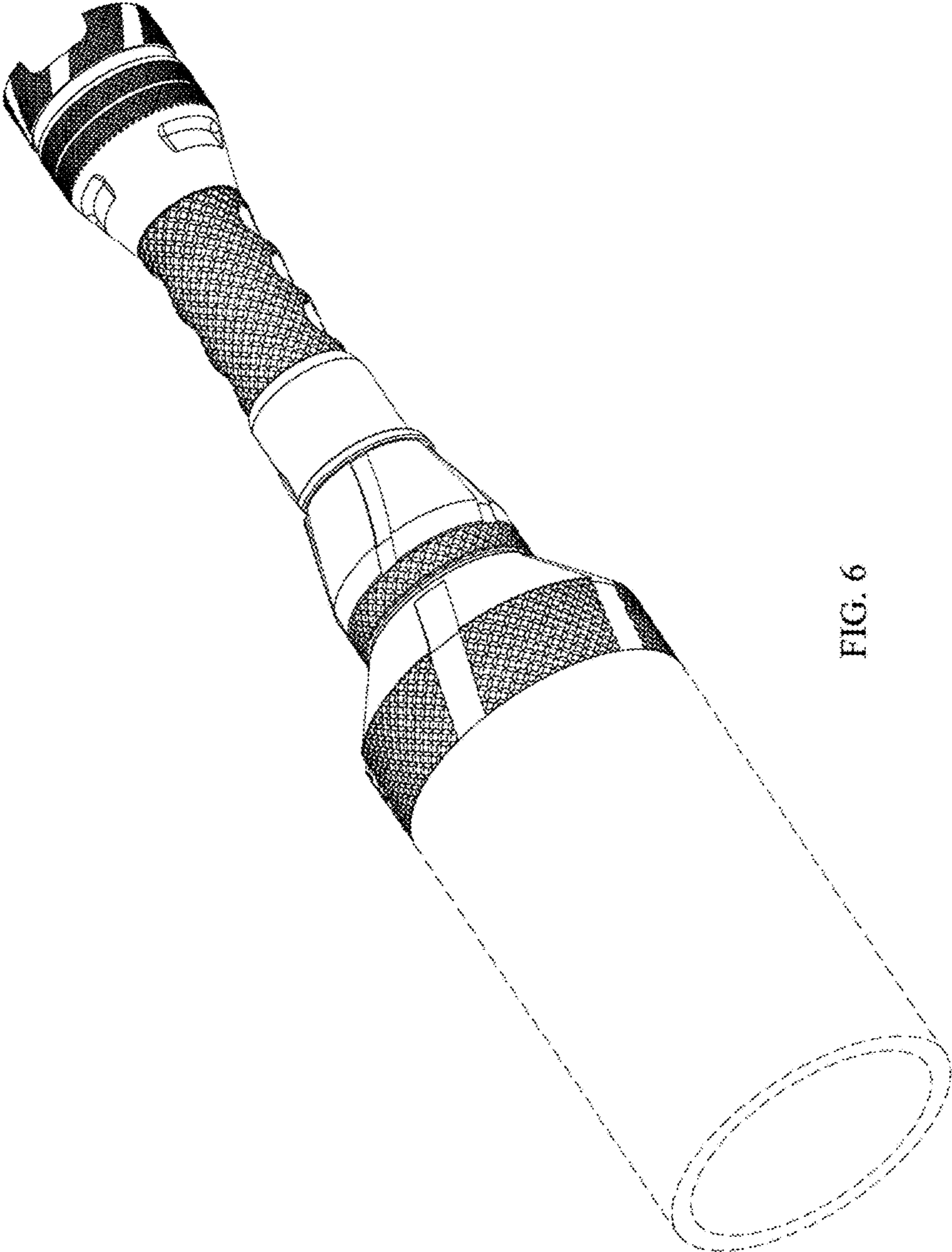


FIG. 6