



US00D869034S

(12) **United States Design Patent** (10) **Patent No.:** **US D869,034 S**  
**Eichelberger et al.** (45) **Date of Patent:** **\*\* Dec. 3, 2019**

(54) **LIGHTING DEVICE**

D813,432 S \* 3/2018 Koshiba ..... D26/39  
D814,083 S \* 3/2018 Green ..... D26/39  
2015/0198313 A1 7/2015 Rementer

(71) Applicant: **Streamlight, Inc.**, Eagleville, PA (US)

(72) Inventors: **Cleatis Eichelberger**, East Norriton, PA (US); **Matthew B. Dalton**, Elkins Park, PA (US)

(73) Assignee: **Streamlight, Inc.**, Eagleville, PA (US)

(\*\*) Term: **15 Years**

(21) Appl. No.: **29/612,711**

(22) Filed: **Aug. 3, 2017**

(51) **LOC (12) Cl.** ..... **26-02**

(52) **U.S. Cl.**  
USPC ..... **D26/39**

(58) **Field of Classification Search**  
USPC ..... D26/37-51  
CPC ..... F21L 2003/00; F21L 4/00; F21L 4/005;  
F21L 4/02; F21L 4/025; F21L 4/027;  
F21L 4/04; F21L 4/08; F21L 2005/00;  
F21L 7/00; F21L 11/00; F21L 13/00;  
F21L 13/04; F21L 13/08; F21L 14/02;  
F21L 17/00; F21L 19/00; F21L 25/00  
See application file for complete search history.

(56) **References Cited**

**U.S. PATENT DOCUMENTS**

D614,786 S \* 4/2010 Lee ..... D26/39  
D683,489 S \* 5/2013 Lee ..... D26/39  
D754,378 S \* 4/2016 Feustel ..... D26/39  
D756,552 S \* 5/2016 Kunzendorf ..... D26/39  
D758,630 S \* 6/2016 Li ..... D26/39  
D770,143 S 11/2016 Waters  
D788,339 S \* 5/2017 Koshiba ..... D26/39  
D803,442 S \* 11/2017 Green ..... D26/39  
D804,695 S \* 12/2017 Windom ..... D26/39

**OTHER PUBLICATIONS**

PB0CC1N001 LED Bike Light [online]. [Retrieved on Oct. 27, 2016] Retrieved from the internet: <<http://www.favourlight.com/products/bike-light/details/pb0cc1n001>>.

(Continued)

*Primary Examiner* — Lakiya G Rogers

*Assistant Examiner* — Carissa C Fitts

(74) *Attorney, Agent, or Firm* — Quarles & Brady LLP

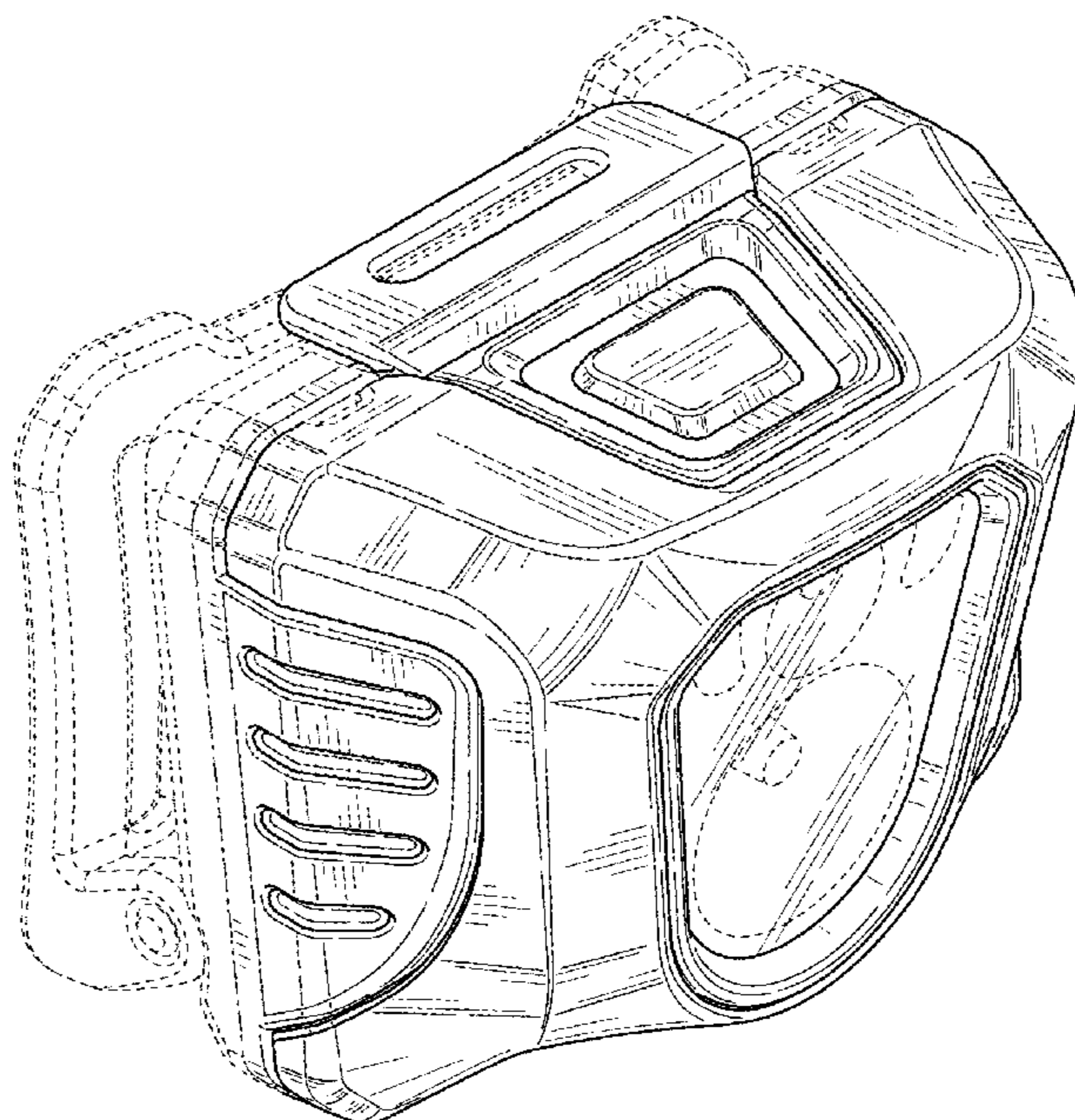
(57) **CLAIM**

The ornamental design for a lighting device, as shown and described.

**DESCRIPTION**

FIG. 1 is a front perspective view of a lighting device showing our new design;  
FIG. 2 is a front elevation view thereof;  
FIG. 3 is a rear elevation view thereof;  
FIG. 4 is a right side elevation view thereof;  
FIG. 5 is a left side elevation view thereof;  
FIG. 6 is a top plan view thereof;  
FIG. 7 is a bottom plan view thereof; and,  
FIG. 8 is a partial exploded view thereof with a cover portion of the lighting device shown in a removed position.  
The dashed broken lines in FIGS. 1-8 show unclaimed portions of the lighting device. The dashed-dotted broken lines in FIGS. 1 and 4-8 show an unclaimed boundary between claimed and unclaimed subject matter. The oblique line shading in FIGS. 1, 2, 7, and 8 show a translucent or transparent material. The remaining line shading in FIGS. 1-8 show surface contours, not surface ornamentation.

**1 Claim, 8 Drawing Sheets**



(56)

## References Cited

## OTHER PUBLICATIONS

H4 Head Lamp [online]. [Retrieved on Oct. 27, 2016] Retrieved from the internet: <<http://www.ledlenserusa.com/h4-153.html#start=7>>.

H05S Active Head Lamp [online]. [Retrieved on Oct. 31, 2016] Retrieved from the internet: <<https://olightworld.com/store/flashlight/headlamps/h05s-active.html>>.

Impulse—Multi-task Light [online]. [Retrieved on Oct. 27, 2016] Retrieved from the internet: <<http://www.princetonotec.com/impulse>>.

H1 Nova Head Lamp [online]. [Retrieved on Oct. 27, 2016] Retrieved from the internet: <<https://olightworld.com/store/flashlight/h1-nova.html>>.

Energizer Vision LED Headlamp [online]. [Retrieved on Oct. 31, 2016] Retrieved from the internet: <<https://www.amazon.com/dp/B00TI8GSHY?psc=1>>.

Explortek Nite-Blazer LED Headlamp with Case [online]. [Retrieved on Oct. 31, 2016] Retrieved from the internet: <<https://www.amazon.com/dp/B019BMEZJY?psc=1>>.

Heimdall LED Headlamp Flashlight [online]. [Retrieved on Oct. 31, 2016] Retrieved from the internet: <<https://www.amazon.com/dp/B01DYCDK1Q?psc=1>>.

Luxolite LED Headlamp Flashlight [online]. [Retrieved on Oct. 31, 2016] Retrieved from the internet: <<https://www.amazon.com/dp/B013IGE5HG?psc=1>>.

Nytebright T6 Headlamp Flashlight [online]. [Retrieved on Oct. 31, 2016] Retrieved from the internet: <[https://www.amazon.com/nyteBright-Headlamp-Flashlight-Waterproof-Lightweight/dp/B00R0LMMF8/ref=pd\\_sim\\_469\\_10?\\_encoding=UTF8&psc=1&refRID=N9AJ6BXM63K1QND0B8TP](https://www.amazon.com/nyteBright-Headlamp-Flashlight-Waterproof-Lightweight/dp/B00R0LMMF8/ref=pd_sim_469_10?_encoding=UTF8&psc=1&refRID=N9AJ6BXM63K1QND0B8TP)>.

Totobay Waterproof LED Headlamp Flashlight [online]. [Retrieved on Oct. 31, 2016] Retrieved from the internet: <<https://www.amazon.com/dp/B01G171LOE?psc=1>>.

Ty-Lite LED Headlamp Flashlight [online]. [Retrieved on Oct. 31, 2016] Retrieved from the internet: <<https://www.amazon.com/dp/B00XWPR9NQ?psc=1>>.

Northbound Train Bright LED Headlamp Flashlight [online]. [Retrieved on Oct. 31, 2016] Retrieved from the internet: <[https://www.amazon.com/gp/product/B00H26CGTI/ref=abs\\_brd\\_tag\\_dp](https://www.amazon.com/gp/product/B00H26CGTI/ref=abs_brd_tag_dp)>.

VTIN Waterproof White/Red LED Headlight Headlamp Flashlight Torch [online]. [Retrieved on Oct. 31, 2016] Retrieved from the internet: <<https://www.amazon.com/dp/B015FVYRP2?psc=1>>.

SEO 7R Leatherman / LED Lenser [online]. [Retrieved on Oct. 31, 2016] Retrieved from the internet: <<http://www.ledlenserusa.com/seo-7r-477.html#q=SEO&start=1>>.

Energizer HD3LMS32E Micro Sport 2AAA 4-LED with Rear Flasher [online]. [Retrieved on Nov. 1, 2016] Retrieved from the internet: <<https://www.amazon.ca/Energizer-HD3LMS32E-Micro-Sport-Flasher/dp/B009QETTSK>>.

Streamlight Enduro LED Headlamp [online]. Retrieved from the internet: <<http://www.streamlight.com/en/products/detail/index/enduro-led-headlamp>>.

Streamlight Double Clutch USB Headlamp [online]. Retrieved from the internet: <<http://www.streamlight.com/en/products/detail/index/double-clutch-usb-headlamp>>.

Streamlight Septor Haz-Lo Headlamp Atex [online]. Retrieved from the internet: <<http://www.streamlight.com/en/products/detail/index/septor-haz-lo-headlamp-atex>>.

PHOTC3A001 Motion Sensor Polymer Headlight [online]. Retrieved from the internet: <<http://www.favourlight.com/products/headlight/details/ph0tc3a001>>.

PHM0M3A055 3AAA Dual Lights Compact Headlight [online]. Retrieved from the internet: <<http://www.favourlight.com/products/headlight/details/phm0m3a055>>.

PHW2C3A001 Compact Polymer Headlight [online]. Retrieved from the internet: <<http://www.favourlight.com/products/headlight/details/phw2c3a001>>.

Pelican 2745 Headlamp [online]. Retrieved from the internet: <<http://www.pelican.com/us/en/pro/product/tactical-dive-flashlights-headlamps/headlamp/standard/2745/>>.

Pelican 2765 Headlamp [online]. Retrieved from the internet: <<http://www.pelican.com/us/en/pro/product/tactical-dive-flashlights-headlamps/headlamp/standard/2765/>>.

Pelican 2780 Headlamp [online]. Retrieved from the internet: <<http://www.pelican.com/us/en/product/tactical-dive-flashlights-headlamps/headlamp/standard/2780/>>.

Pelican 2785 Headlamp [online]. Retrieved from the internet: <<http://www.pelican.com/us/en/pro/product/tactical-dive-flashlights-headlamps/headlamp/standard/2785/>>.

Black Diamond Storm Headlamp [online]. Retrieved from the internet: <[http://blackdiamondequipment.com/en\\_US/headlamps-and-lanterns/storm-BD620633\\_cfg.html#cgid=lighting&start=1](http://blackdiamondequipment.com/en_US/headlamps-and-lanterns/storm-BD620633_cfg.html#cgid=lighting&start=1)>.

Princeton TEC EOS LED Headlamp [online]. Retrieved from the internet: <<http://www.princetonotec.com/eos>>.

Princeton TEC QUAD LED Headlamp [online]. Retrieved from the internet: <<http://www.princetonotec.com/quad>>.

Tikka Hybrid Concept Compact Headlamp [online]. Retrieved from the internet: <<https://www.petzl.com/l/en/Sport/CLASSIC-headlamps/TIKKA#.WWaoYGjythE>>.

\* cited by examiner

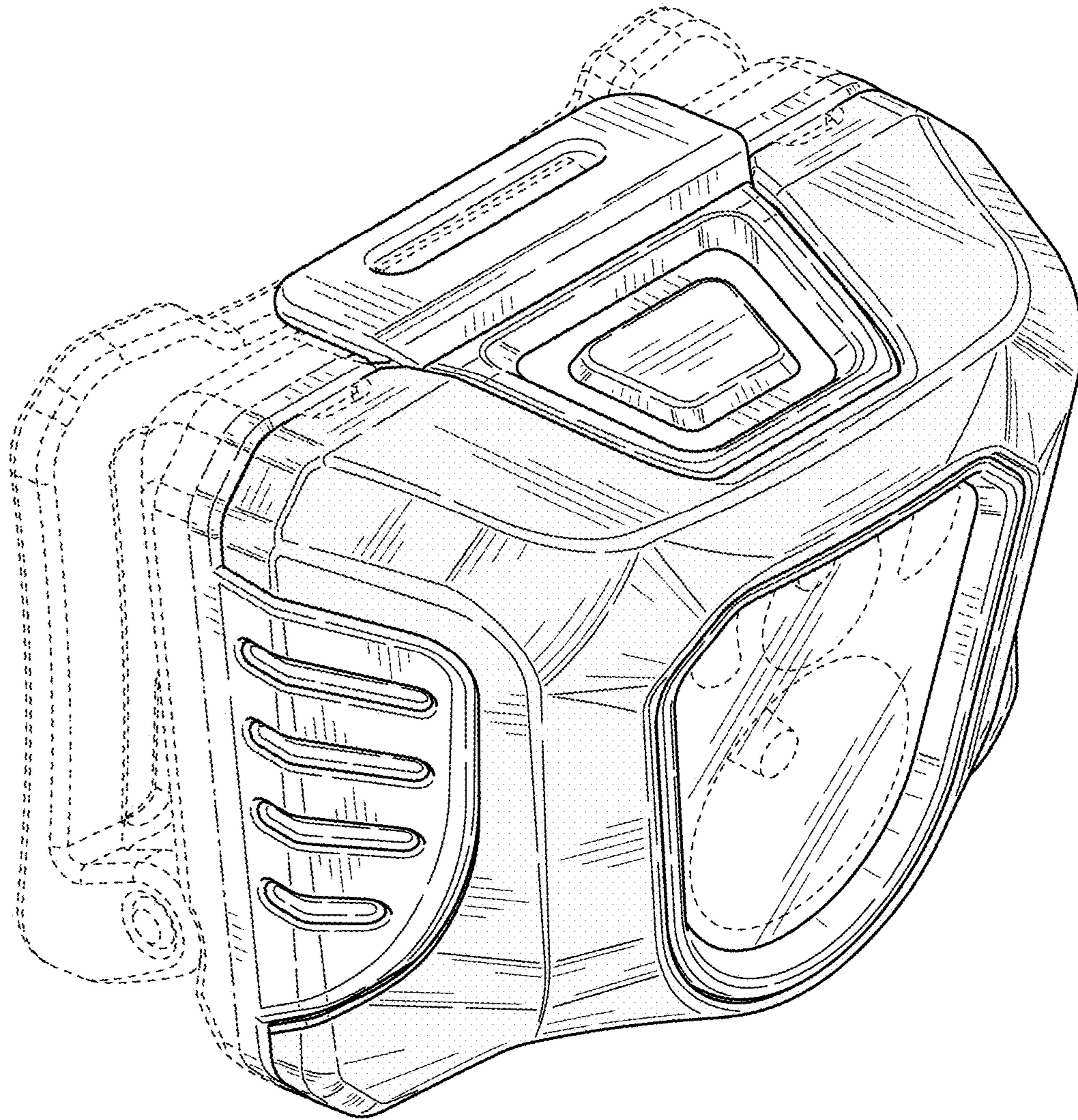


FIG. 1

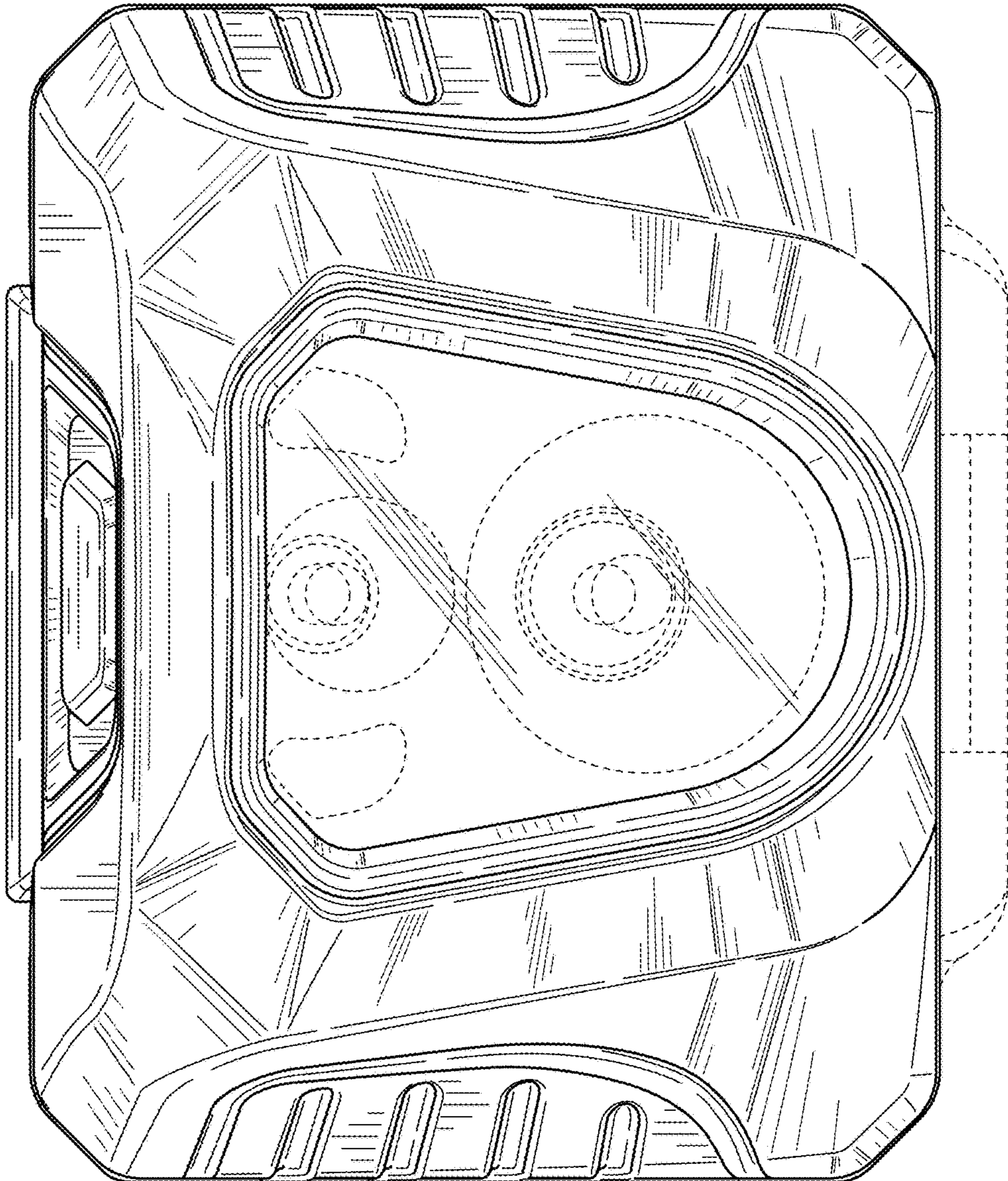


FIG. 2

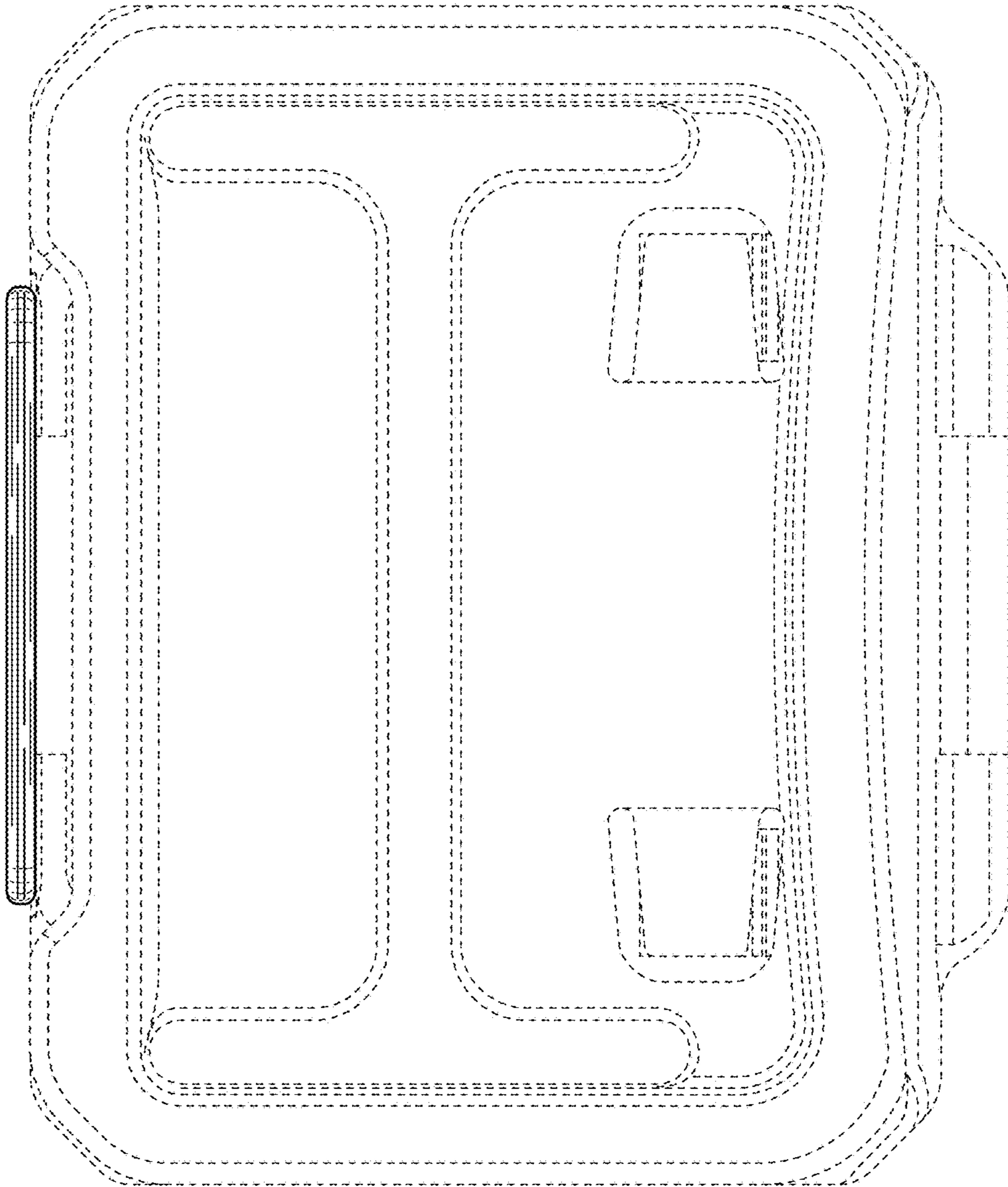


FIG. 3

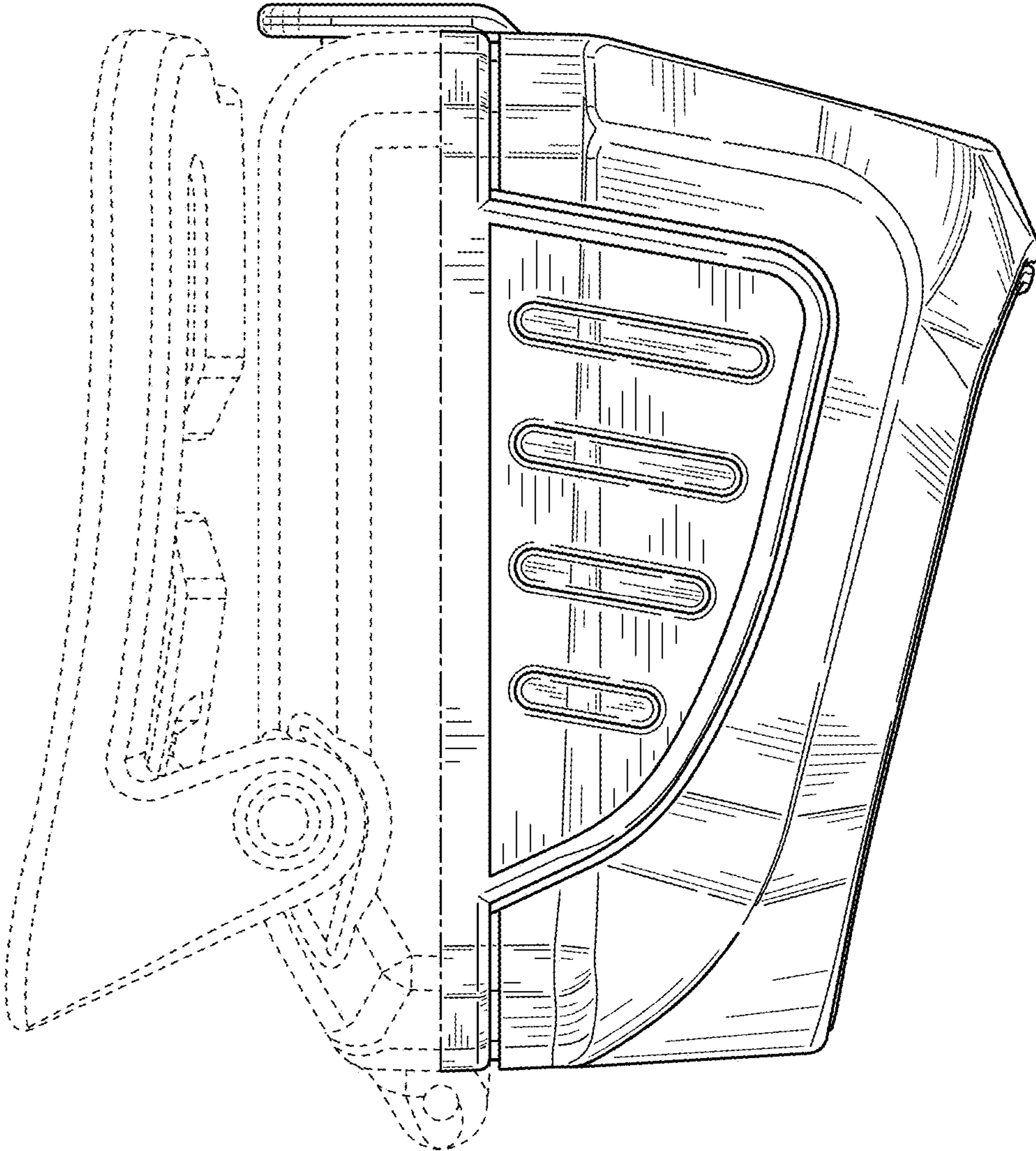


FIG. 4

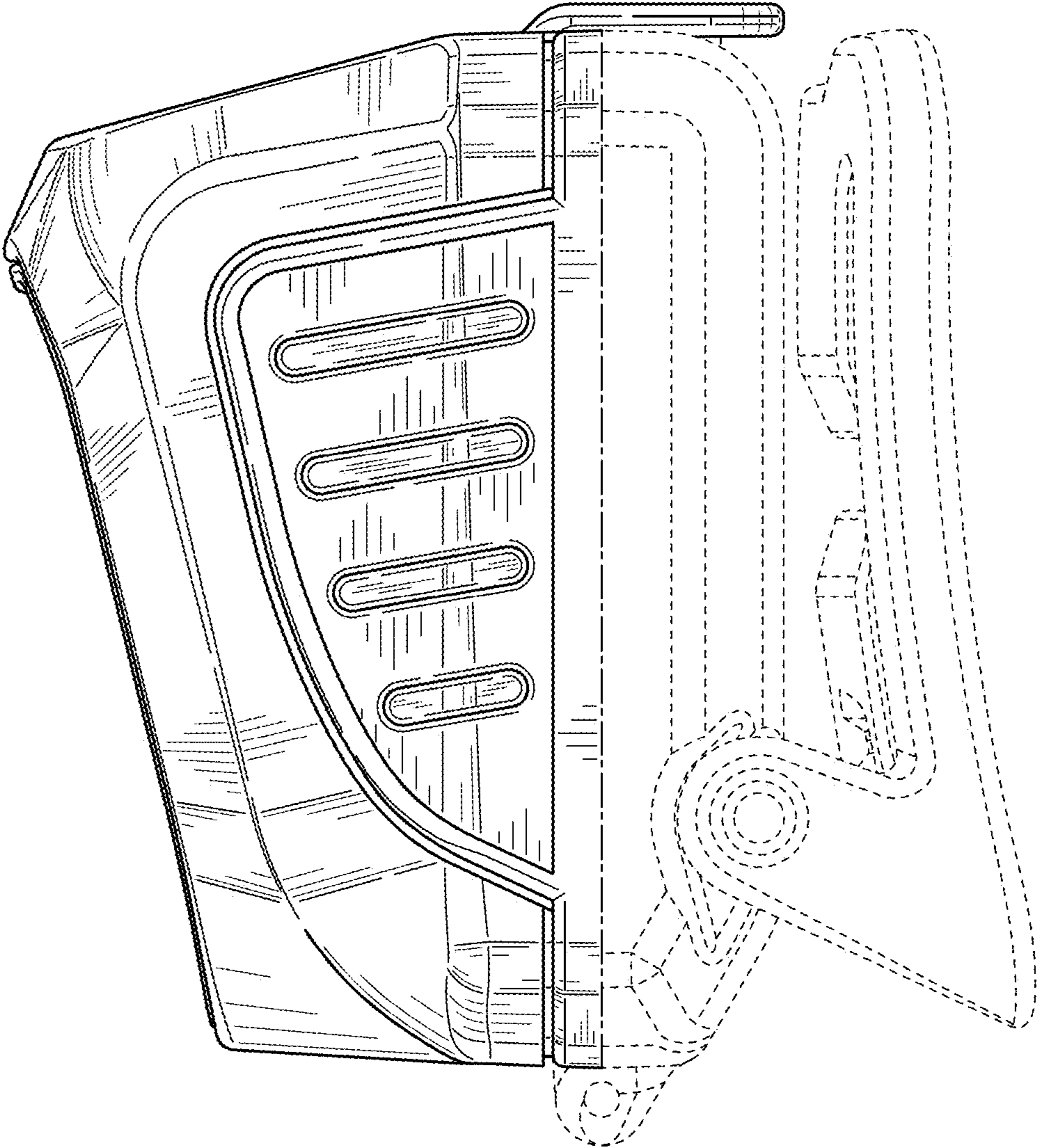


FIG. 5

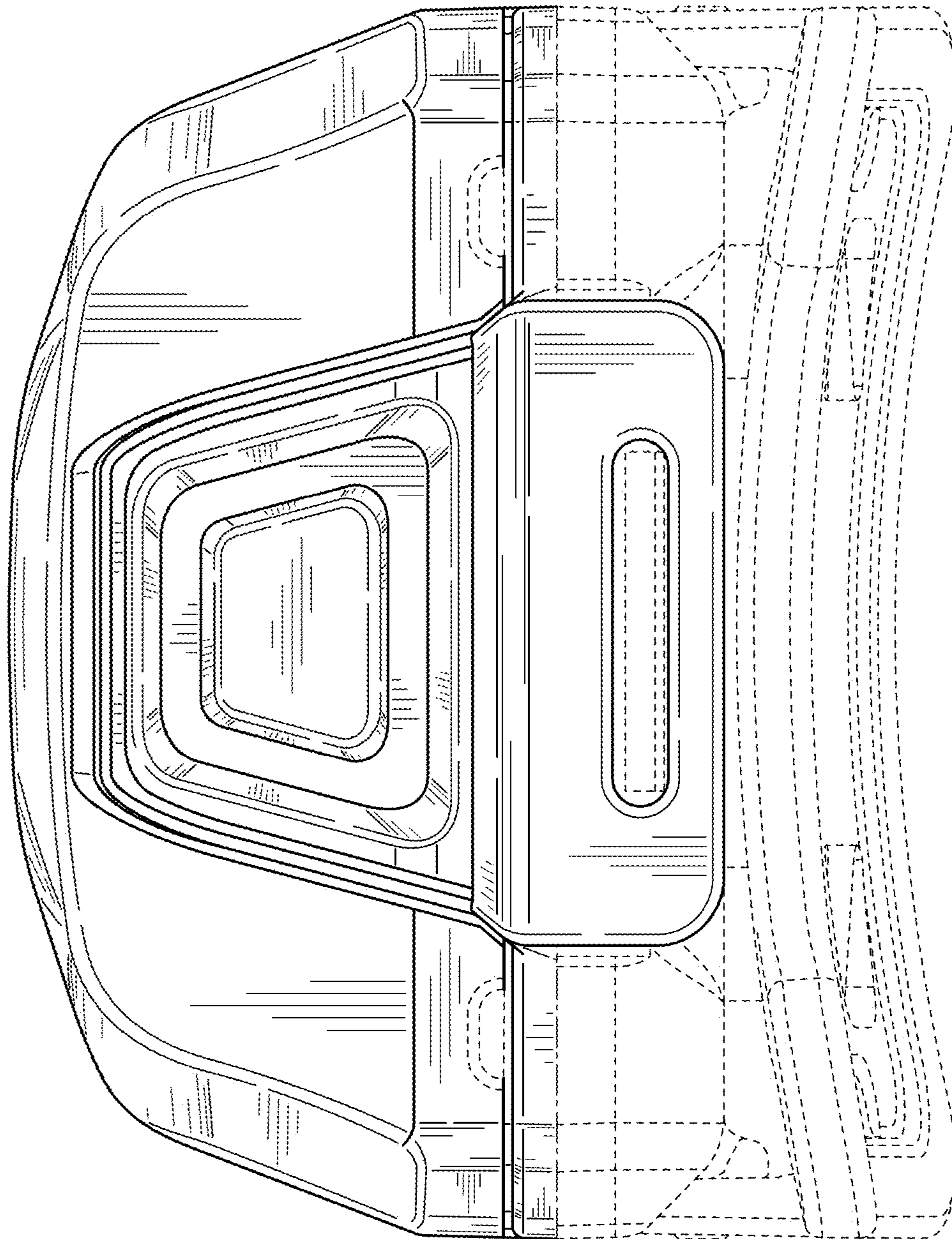


FIG. 6



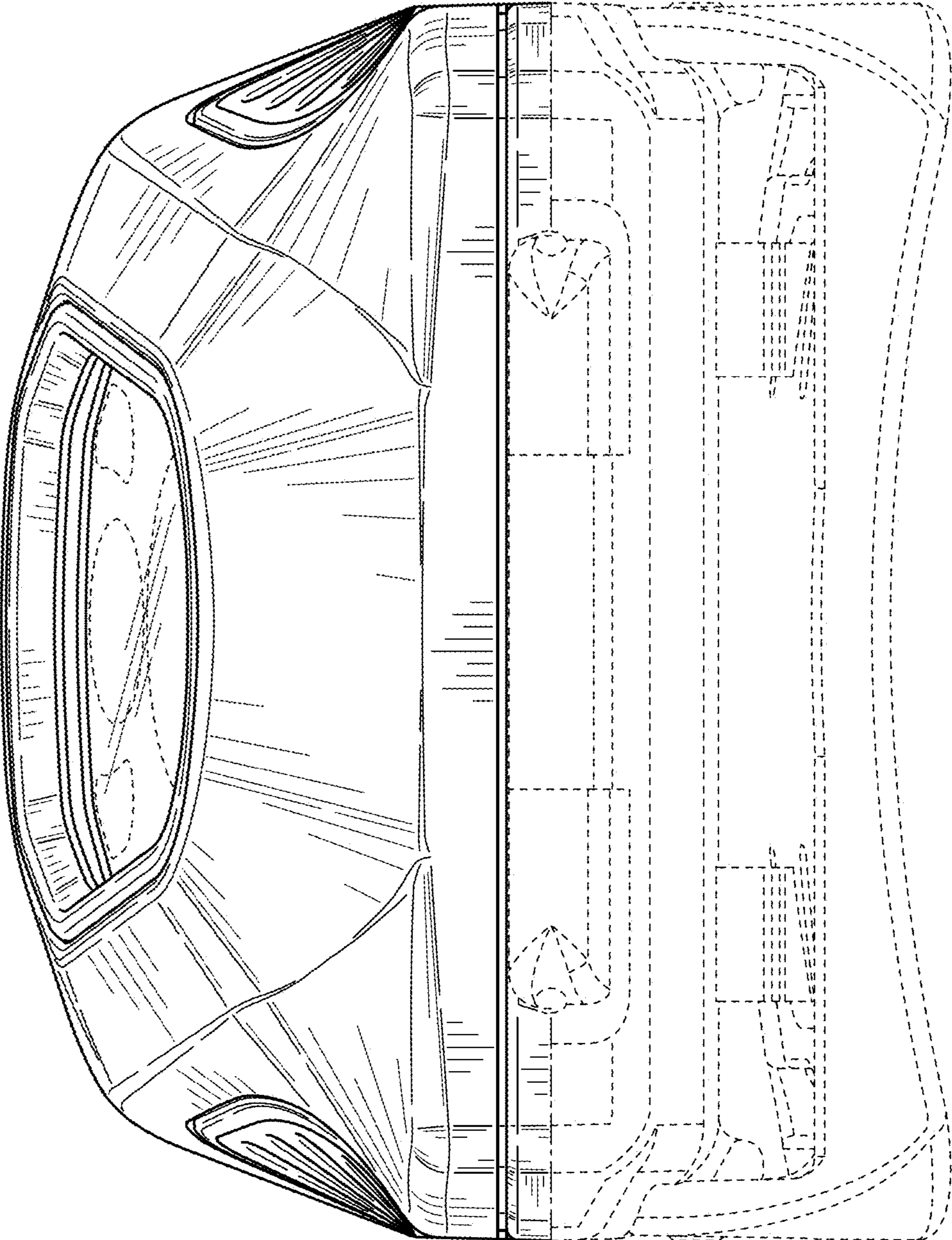


FIG. 7

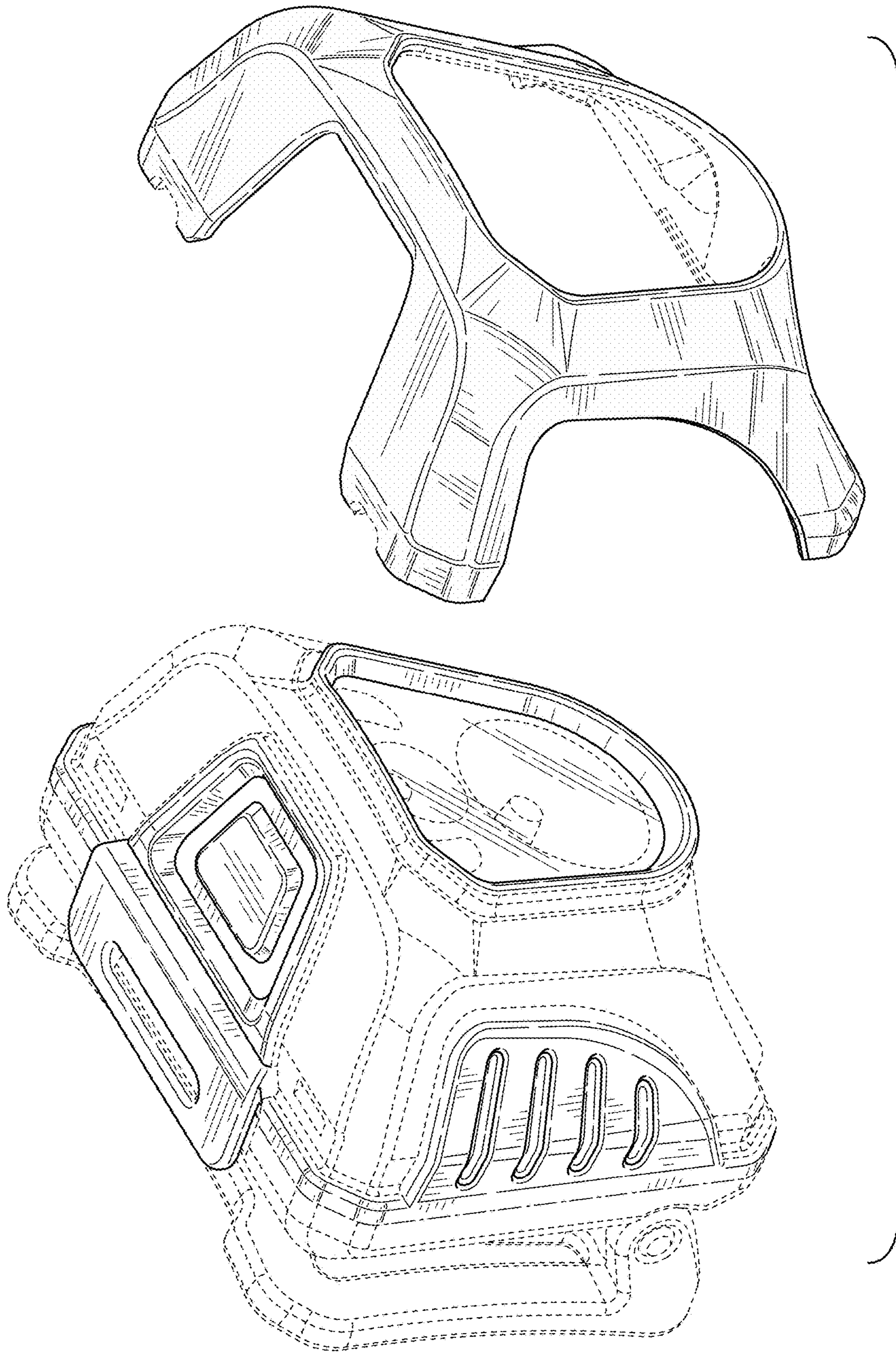


FIG. 8