

US00D869033S

(12) **United States Design Patent**
Kim et al.

(10) **Patent No.:** **US D869,033 S**
(45) **Date of Patent:** **** Dec. 3, 2019**

(54) **REAR COMBINATION LAMP FOR A VEHICLE**

(71) Applicant: **LG INNOTEK CO., LTD.**, Seoul (KR)

(72) Inventors: **Jinho Kim**, Seoul (KR); **Seunghwan Ryu**, Seoul (KR)

(73) Assignee: **LG INNOTEK CO., LTD.**, Seoul (KR)

(**) Term: **15 Years**

(21) Appl. No.: **35/505,939**

(22) Filed: **May 2, 2018**

(80) **Hague Agreement Data**

Int. Filing Date: **May 2, 2018**

Int. Reg. No.: **DM/101046**

Int. Reg. Date: **May 2, 2018**

Int. Reg. Pub. Date: **Nov. 2, 2018**

(30) **Foreign Application Priority Data**

Dec. 5, 2017 (KR) 30-2017-0057257

(51) **LOC (12) Cl.** **26-06**

(52) **U.S. Cl.**
USPC **D26/36**

(58) **Field of Classification Search**

USPC D12/196; D26/28, 35, 36; D21/433
CPC .. F21S 41/00; F21S 41/20; F21S 41/30; F21S
43/14; F21S 43/15; F21S 43/20

See application file for complete search history.

(56) **References Cited**

U.S. PATENT DOCUMENTS

D57,974 S * 5/1921 Haselton D26/36
D162,128 S * 2/1951 Clark D26/102

D243,274 S * 2/1977 Miceli D26/36
D528,681 S * 9/2006 Nakahara D26/28
D711,566 S * 8/2014 Wu D26/28
D779,089 S * 2/2017 Giolito D26/28
D779,090 S * 2/2017 Giolito D26/28
D802,809 S * 11/2017 Schendel D26/28
D806,285 S * 12/2017 Kawakami D26/28
D840,079 S * 2/2019 Marshall D26/60
D852,995 S * 7/2019 Suzuki D26/28

OTHER PUBLICATIONS

Screenshot excerpt dated Mar. 26, 2019 from LED Penetration Rate Increases with Trends of Diversification and Intelligentization. Found online Jul. 24, 2019 at https://www.ledinside.com/showreport/2019/3/ale2019_led_penetration_rate_increases_trends_diversification_intelligentization (Year: 2019).*

* cited by examiner

Primary Examiner — Robert M. Spear

(74) *Attorney, Agent, or Firm* — Saliwanchik, Lloyd & Eisenschenk

(57) **CLAIM**

The ornamental design for rear combination lamp for a vehicle, as shown and described.

DESCRIPTION

1. Rear combination lamp for a vehicle

1.1 : Perspective

1.2 : Front

1.3 : Back

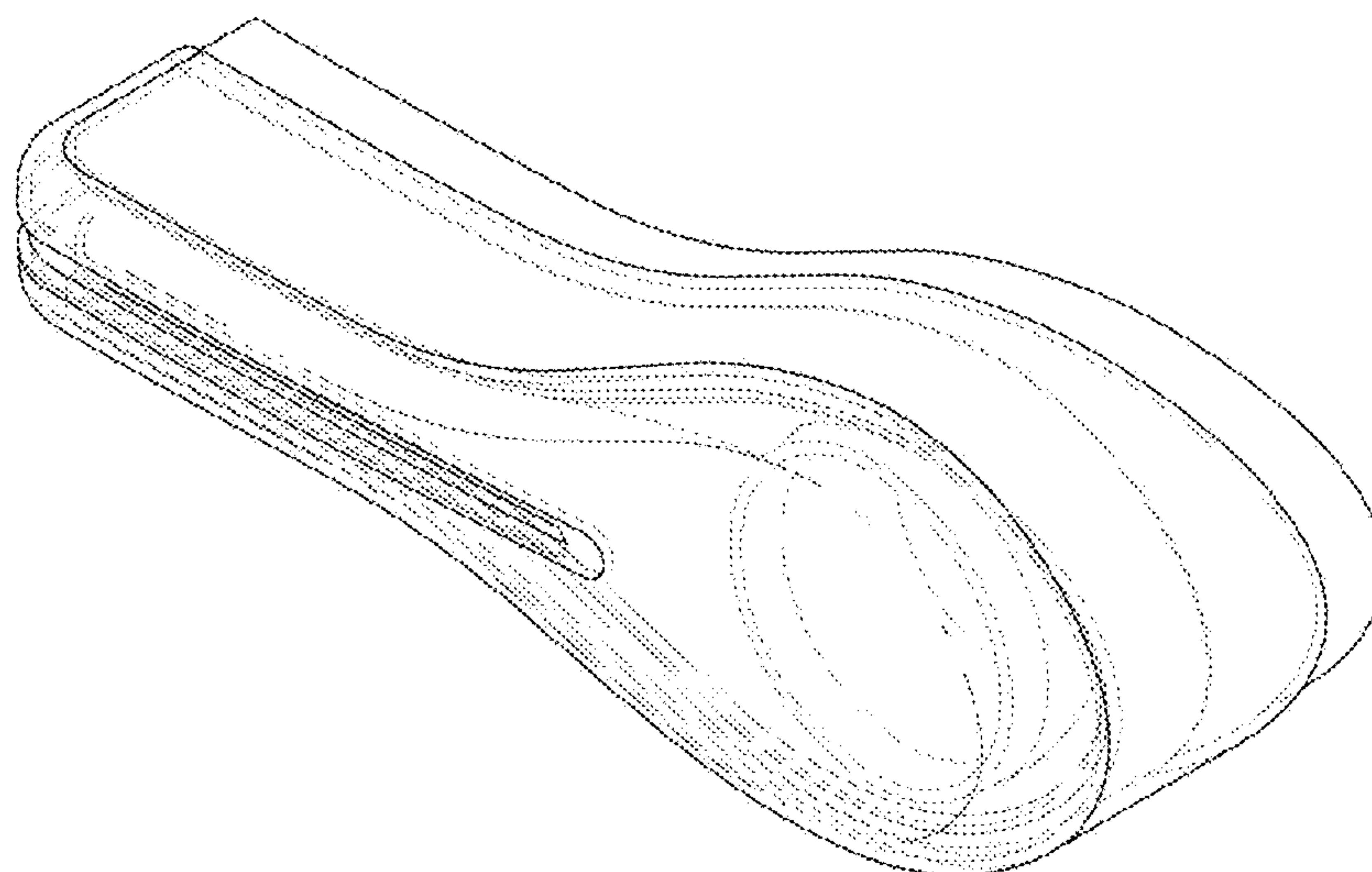
1.4 : Left

1.5 : Right

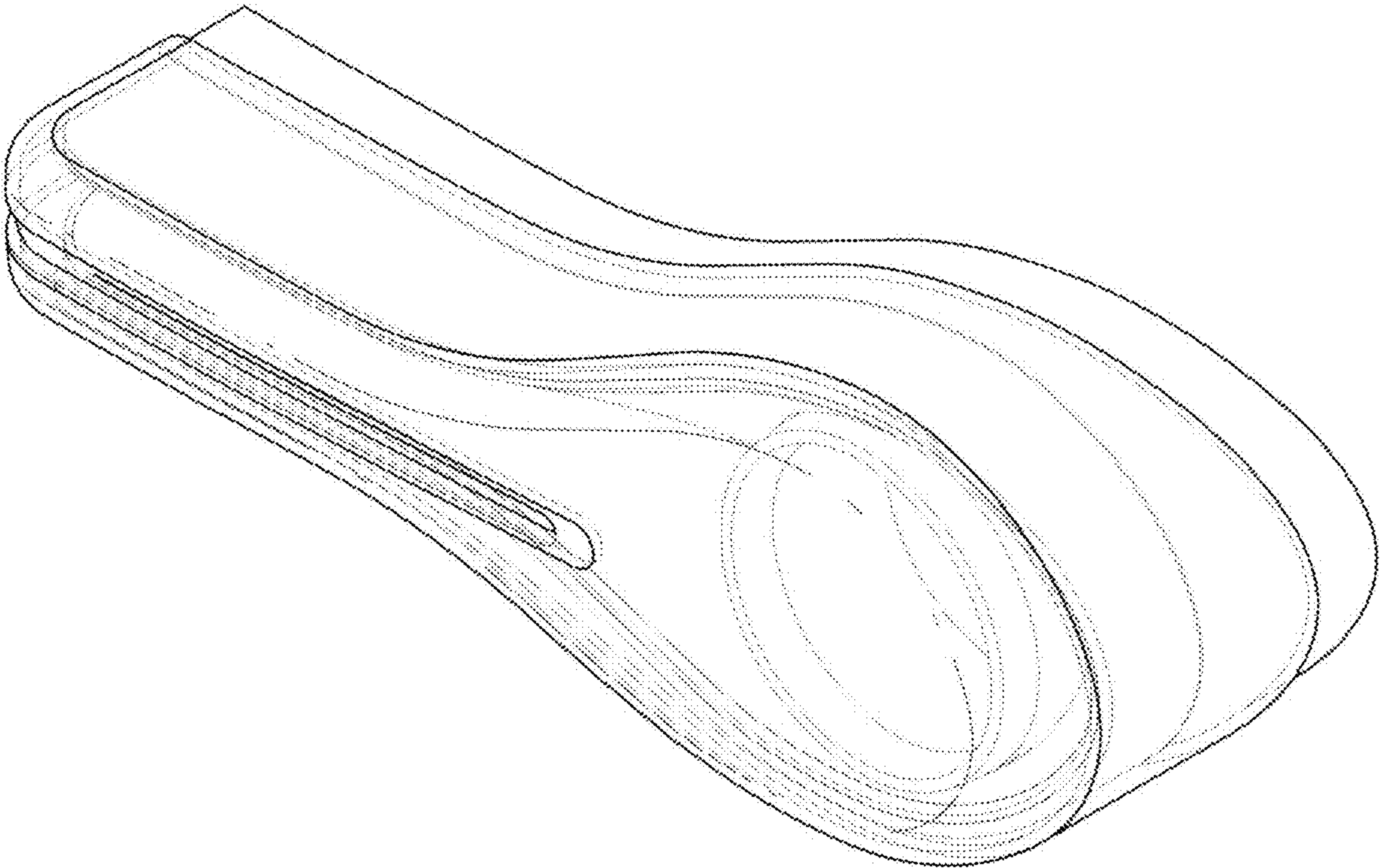
1.6 : Top

1.7 : Bottom

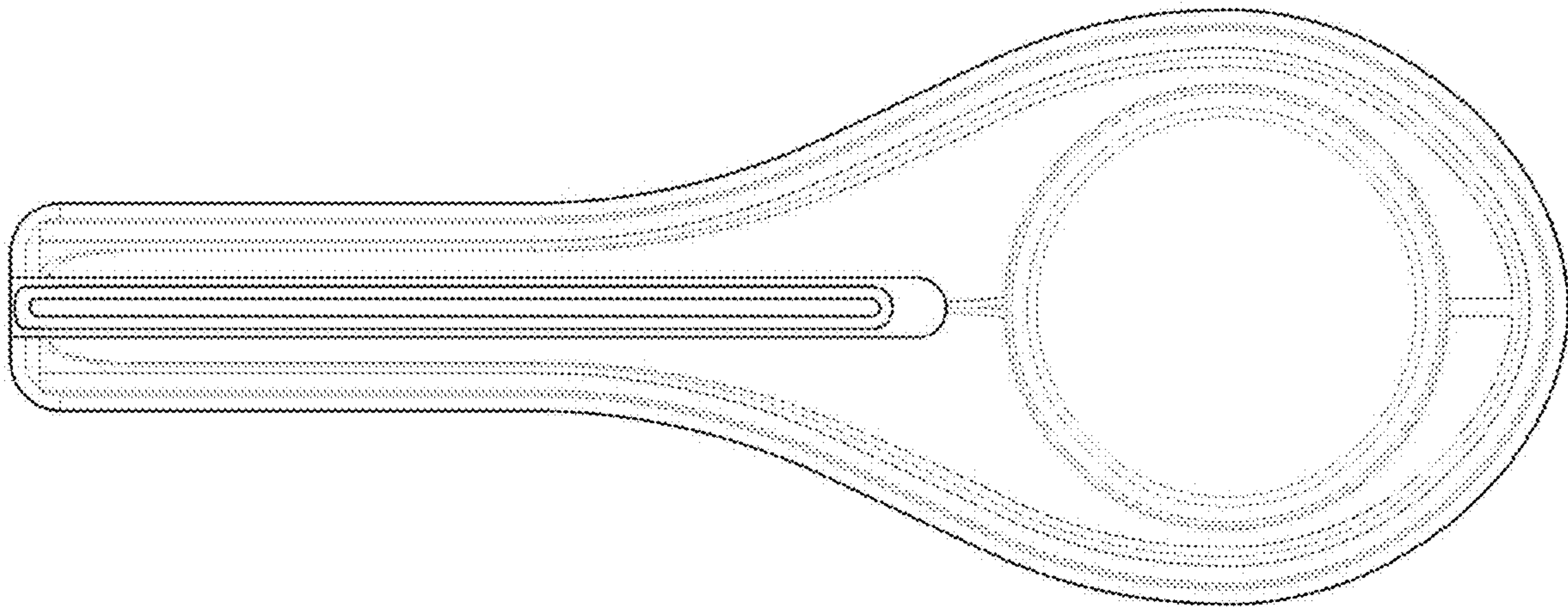
1 Claim, 7 Drawing Sheets



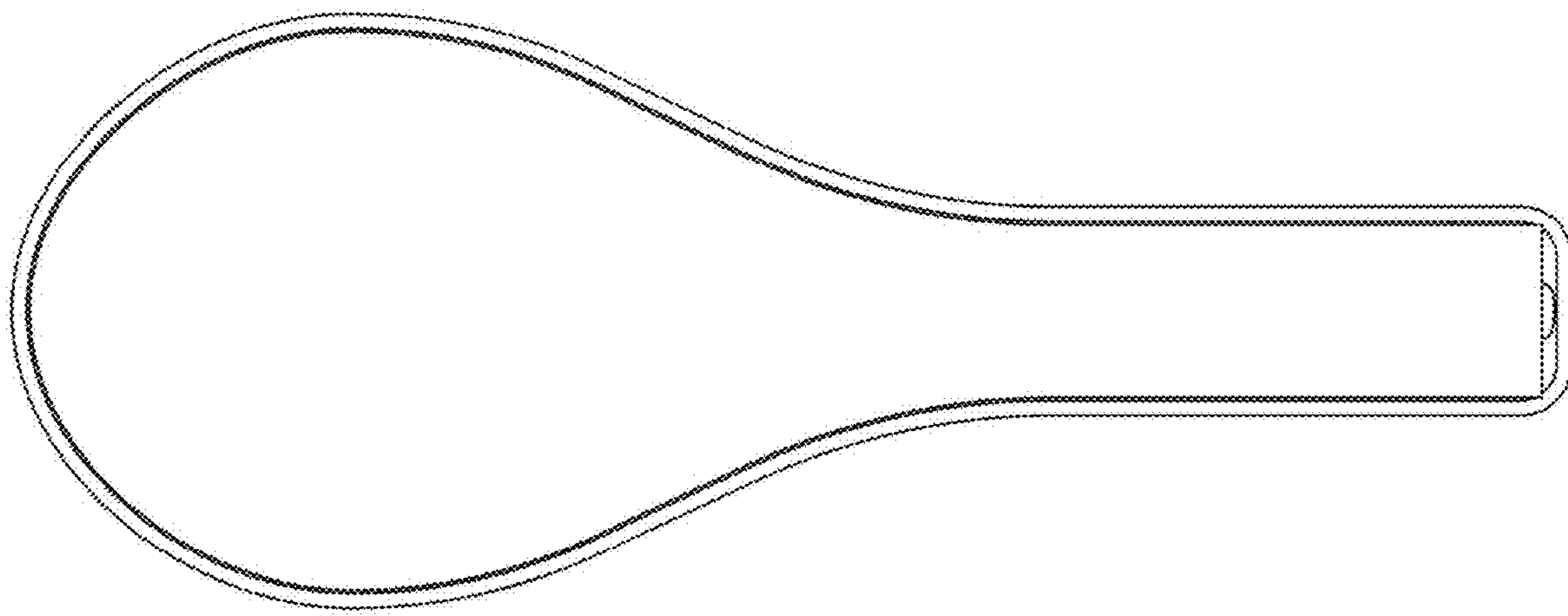
1.1



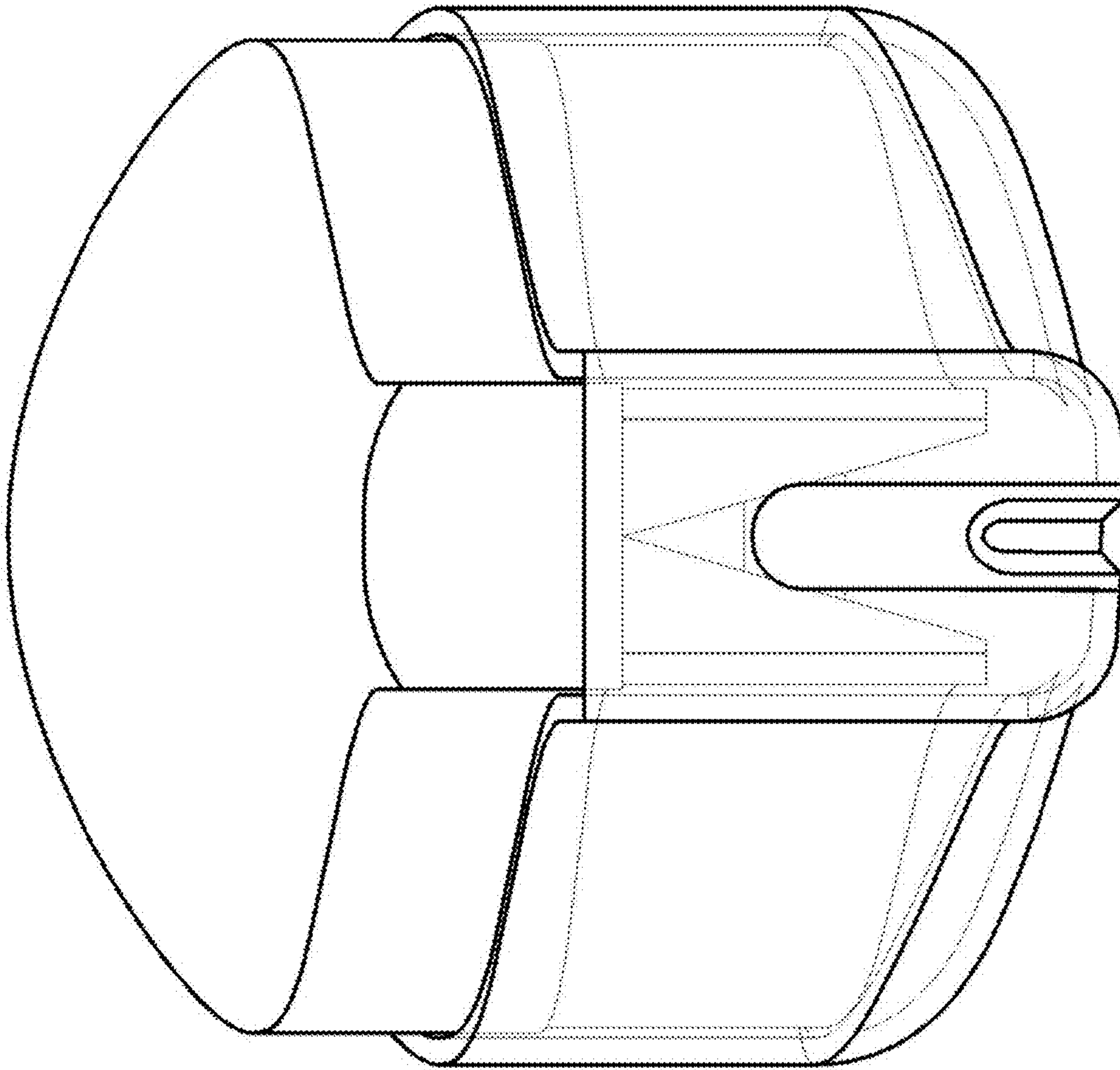
1.2



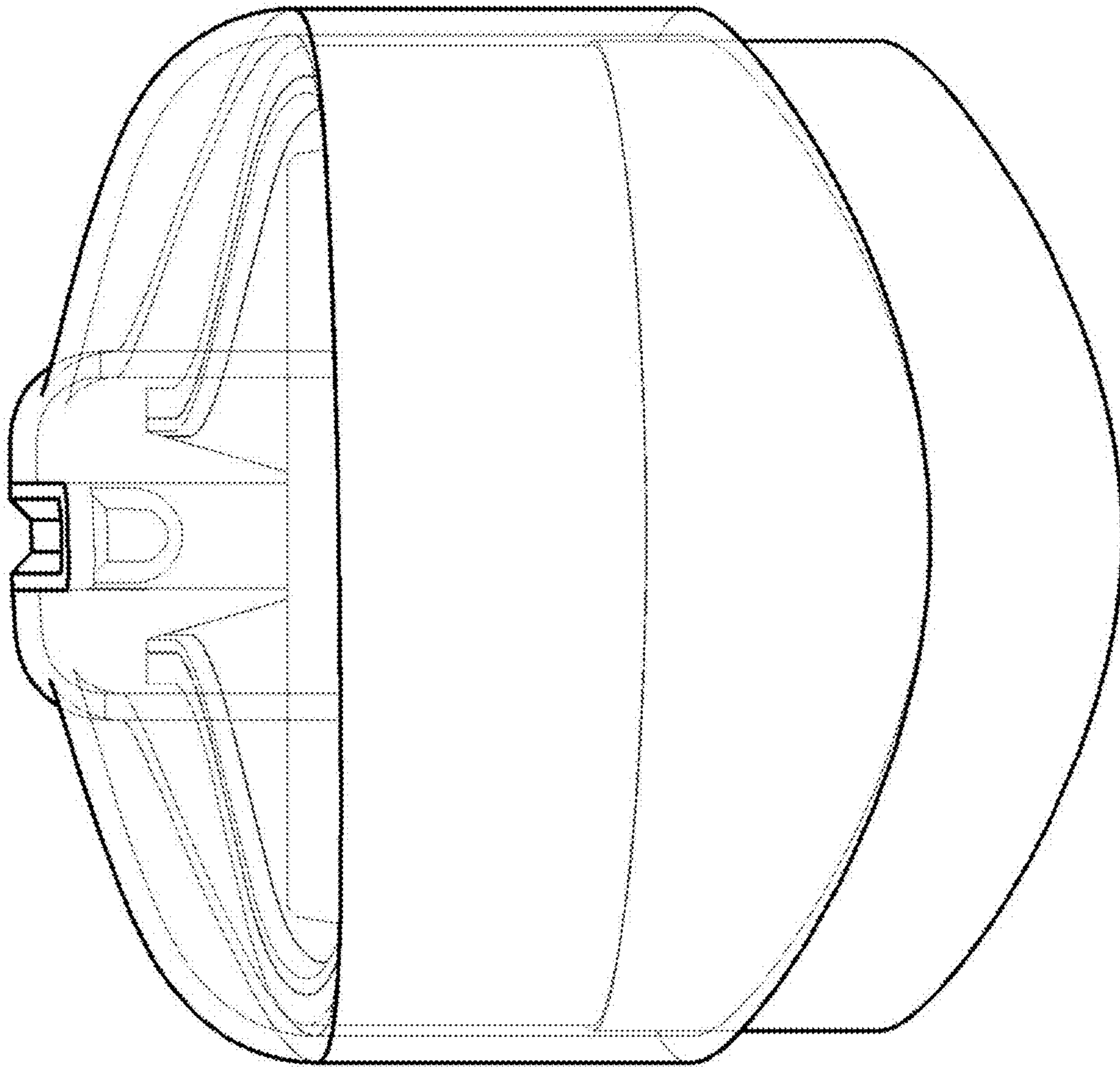
1.3



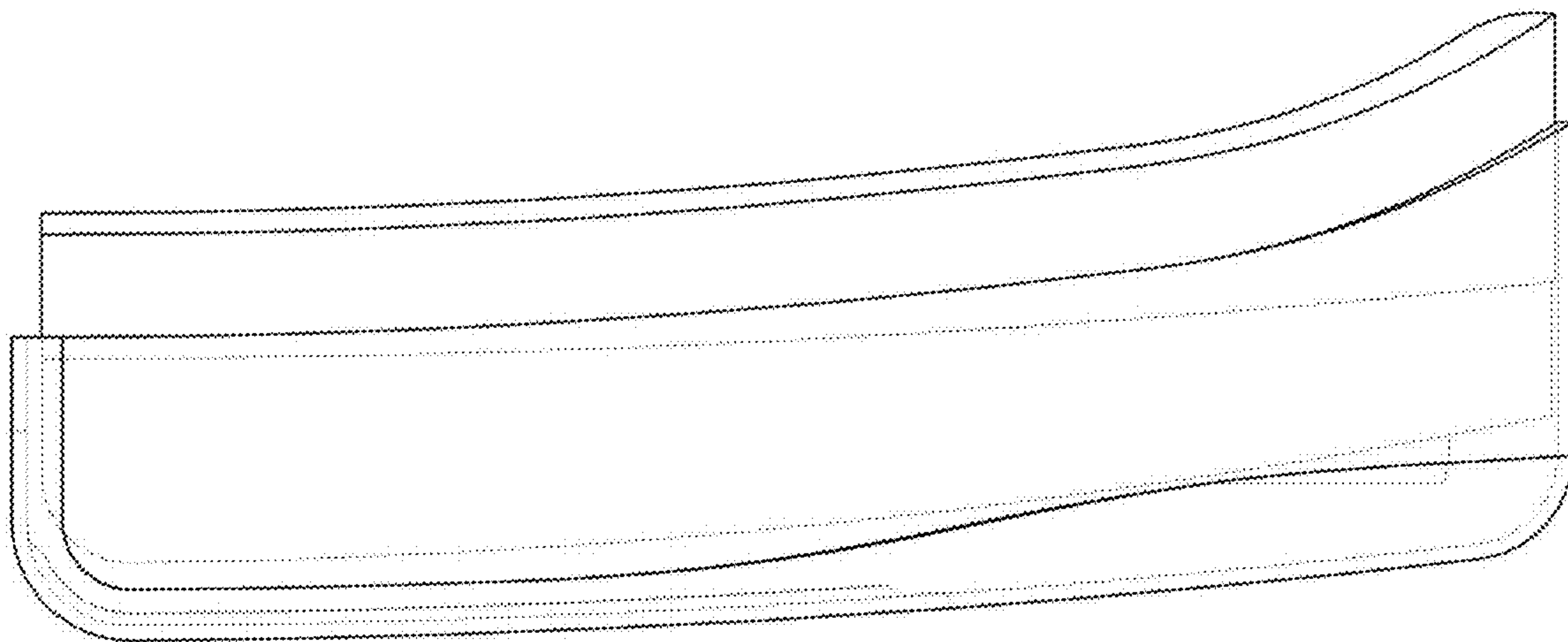
1.4



1.5



1.6



1.7

