



US00D869032S

(12) **United States Design Patent** (10) **Patent No.:** **US D869,032 S**  
**Conway et al.** (45) **Date of Patent:** **\*\* Dec. 3, 2019**

(54) **HEADLAMP ASSEMBLY**

(71) Applicants: **Scott M. Conway**, Flower Mound, TX (US); **Jonathan S. Duncan**, Seattle, WA (US); **Steven H. Hovind**, Renton, WA (US); **Ales Brostik**, Lutin (CZ); **Roman Kopecky**, Lostice (CZ)

(72) Inventors: **Scott M. Conway**, Flower Mound, TX (US); **Jonathan S. Duncan**, Seattle, WA (US); **Steven H. Hovind**, Renton, WA (US); **Ales Brostik**, Lutin (CZ); **Roman Kopecky**, Lostice (CZ)

(73) Assignee: **PACCAR Inc**, Bellevue, WA (US)

(\*\*) Term: **15 Years**

(21) Appl. No.: **29/683,355**

(22) Filed: **Mar. 12, 2019**

**Related U.S. Application Data**

(60) Division of application No. 29/631,579, filed on Dec. 29, 2017, now Pat. No. Des. 848,039, which is a (Continued)

(51) **LOC (12) Cl.** ..... **26-06**

(52) **U.S. Cl.**  
USPC ..... **D26/28**

(58) **Field of Classification Search**  
USPC ..... D26/28-36, 139  
(Continued)

(56) **References Cited**

U.S. PATENT DOCUMENTS

D556,349 S \* 11/2007 Golden ..... D26/28  
D570,007 S \* 5/2008 Hsu ..... D26/28  
D593,232 S \* 5/2009 Koman ..... D26/28

\* cited by examiner

*Primary Examiner* — Marcus A Jackson

(74) *Attorney, Agent, or Firm* — Christensen O'Connor Johnson Kindness PLLC

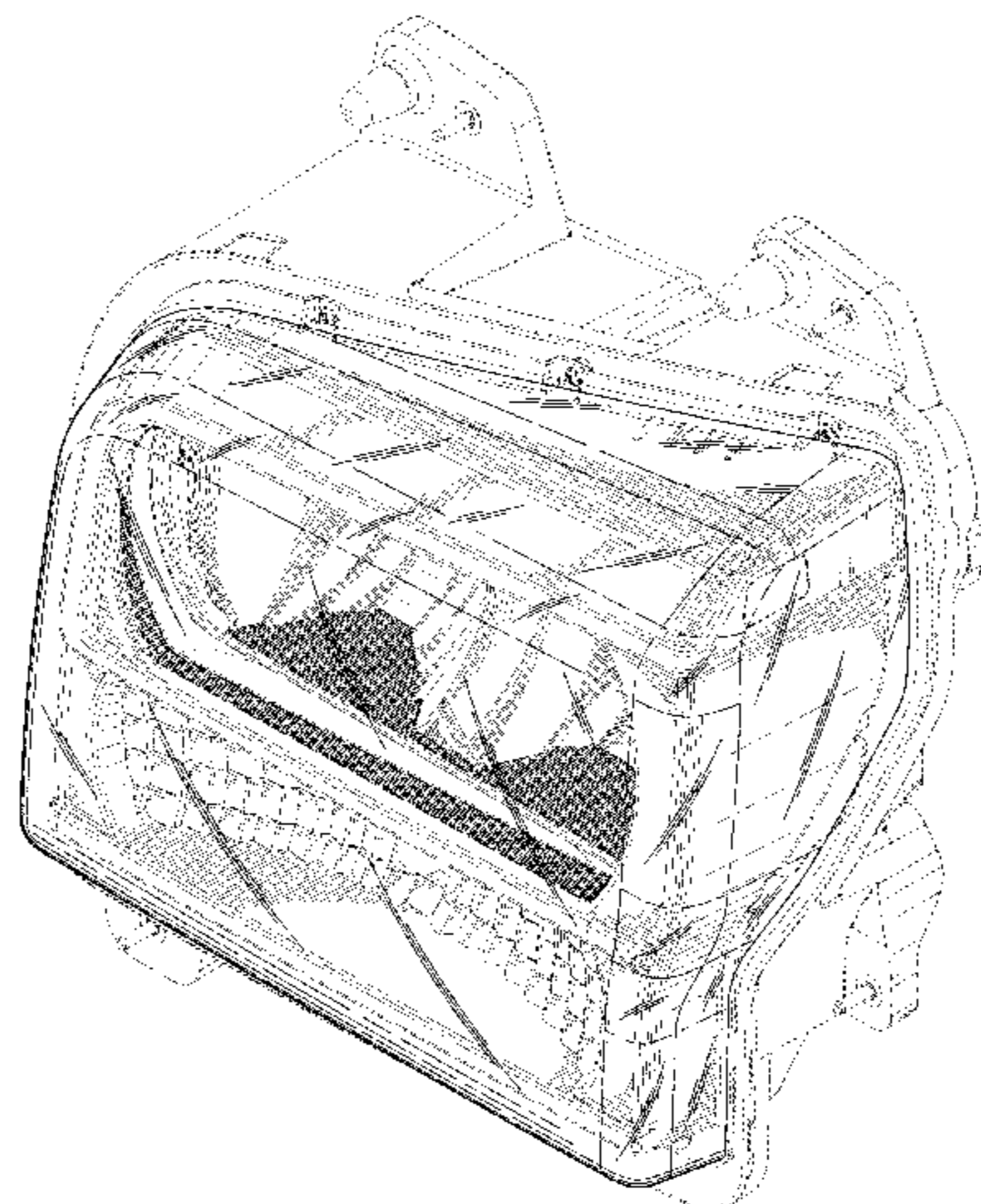
(57) **CLAIM**

The ornamental design for a headlamp assembly, as shown and described.

**DESCRIPTION**

FIG. 1 is a perspective view of a headlamp assembly showing a first embodiment of our new design;  
FIG. 2 is a front view of the headlamp assembly shown in FIG. 1;  
FIG. 3 is a top view of the headlamp assembly shown in FIG. 1;  
FIG. 4 is a rear view of the headlamp assembly shown in FIG. 1;  
FIG. 5 is a left side view of the headlamp assembly shown in FIG. 1; and  
FIG. 6 is a right side view of the headlamp assembly shown in FIG. 1;  
FIG. 7 is a perspective view of a headlamp assembly showing a second embodiment of our new design;  
FIG. 8 is a front view of the headlamp assembly shown in FIG. 7;  
FIG. 9 is a top view of the headlamp assembly shown in FIG. 7;  
FIG. 10 is a rear view of the headlamp assembly shown in FIG. 7;  
FIG. 11 is a left side view of the headlamp assembly shown in FIG. 7; and,  
FIG. 12 is a right side view of the headlamp assembly shown in FIG. 7.  
FIGS. 1-12 illustrate a first and a second embodiment of our novel design suitable for use on one side (e.g., left side) of a vehicle. Our novel design also includes a third and a fourth embodiment suitable for use on the other side (e.g., right side) of a vehicle, which is mirror symmetrical to FIGS. 1-12 and therefore not separately illustrated.  
The broken lines shown in the figures represent portions of the headlamp assembly that form no part of the claimed design.

**1 Claim, 10 Drawing Sheets**



**Related U.S. Application Data**

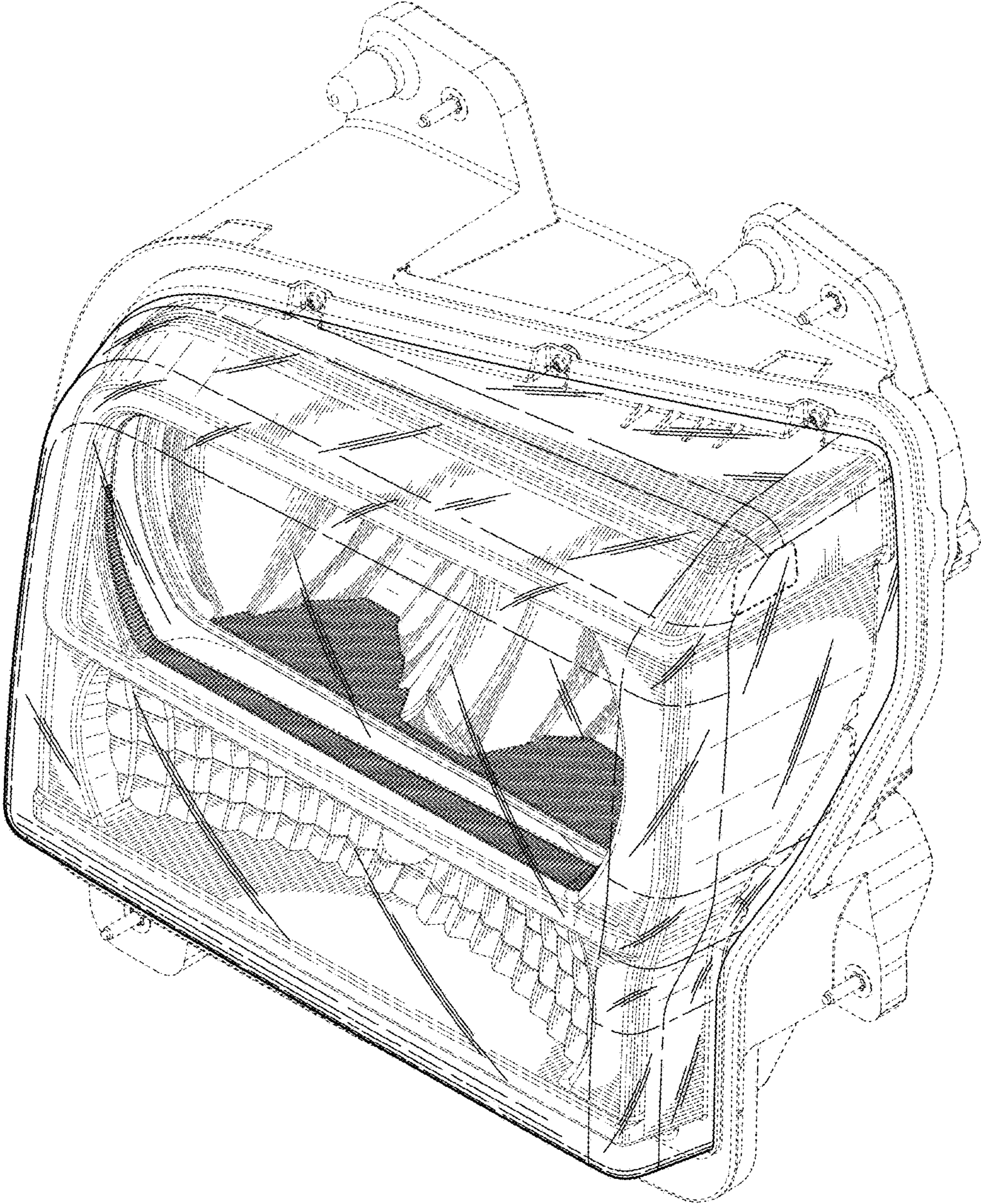
continuation-in-part of application No. 29/599,300, filed on Mar. 31, 2017, now Pat. No. Des. 841,877, and a continuation-in-part of application No. 29/599,070, filed on Mar. 30, 2017, now Pat. No. Des. 820,510, and a continuation-in-part of application No. 29/598,932, filed on Mar. 29, 2017, now Pat. No. Des. 821,026.

(58) **Field of Classification Search**

CPC ..... F21S 48/00; F21S 48/10; F21S 48/115;  
F21S 48/225; F21S 48/1233; F21S  
48/1266; F21S 48/1388; F21S 48/2268;  
F21V 21/04; F21K 9/00; F21K 29/004;  
B60Q 9/13; B60Q 9/135; B60Q 9/1375

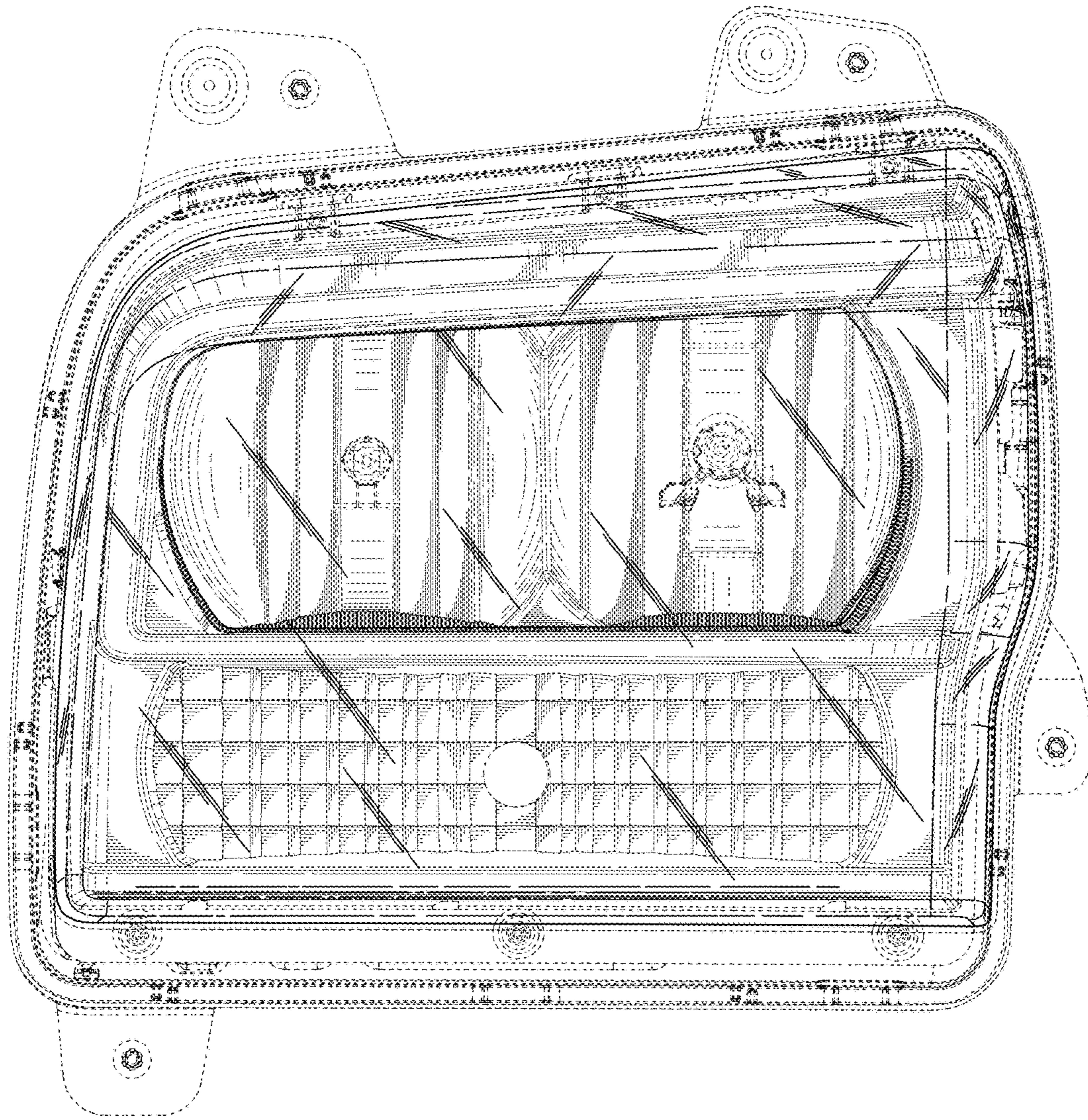
See application file for complete search history.





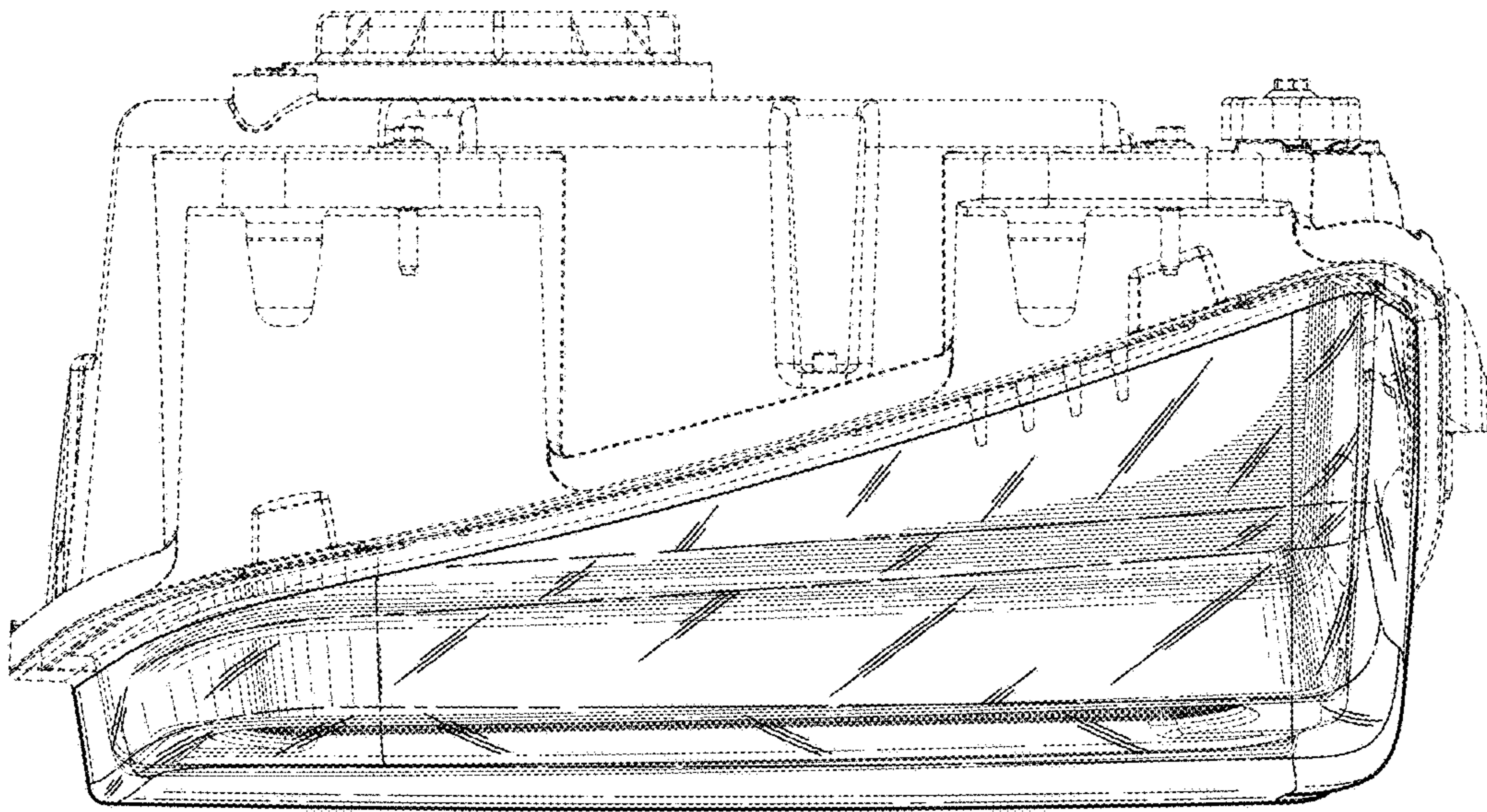
*Fig. 1.*



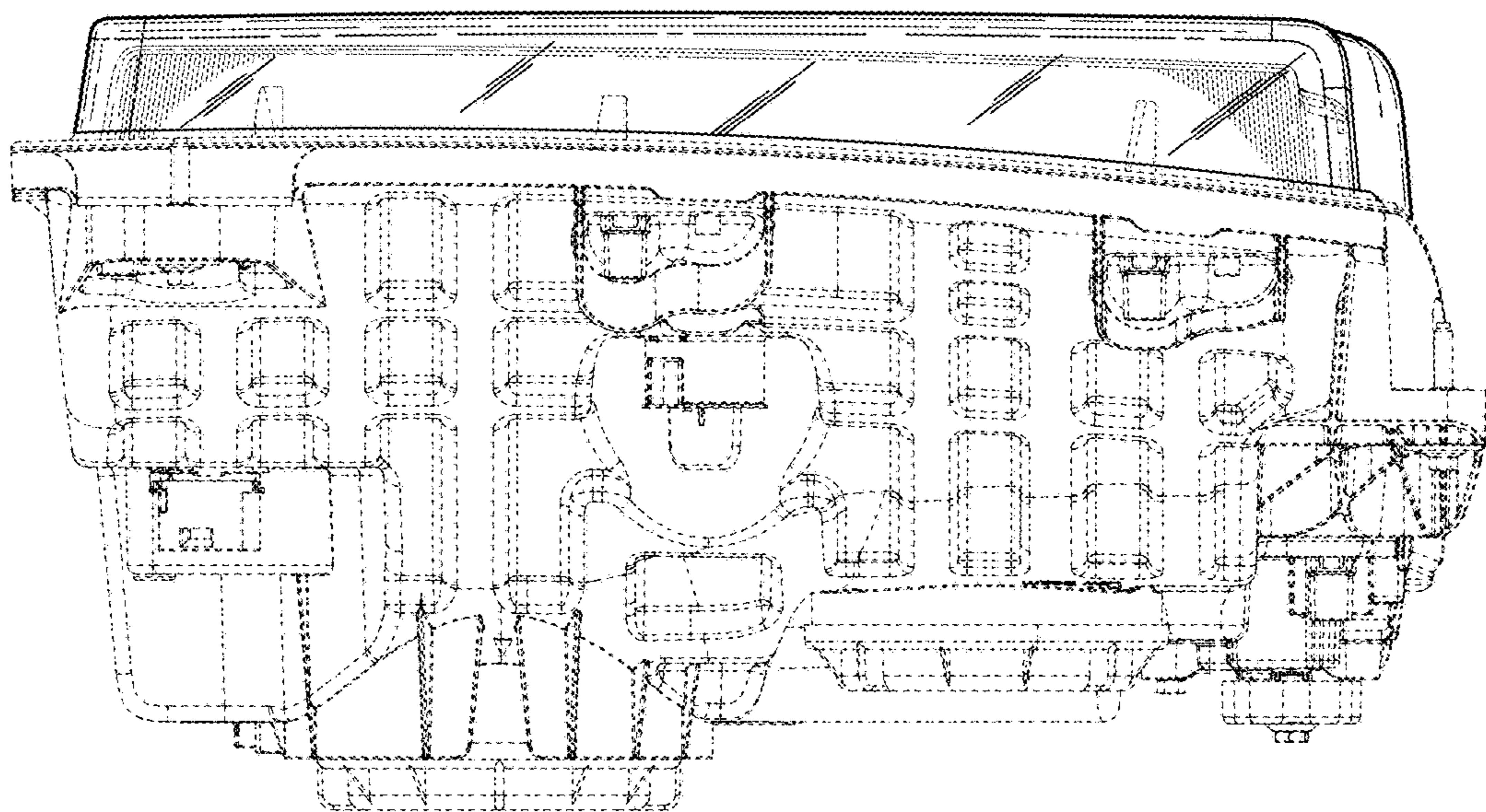


*Fig. 2.*

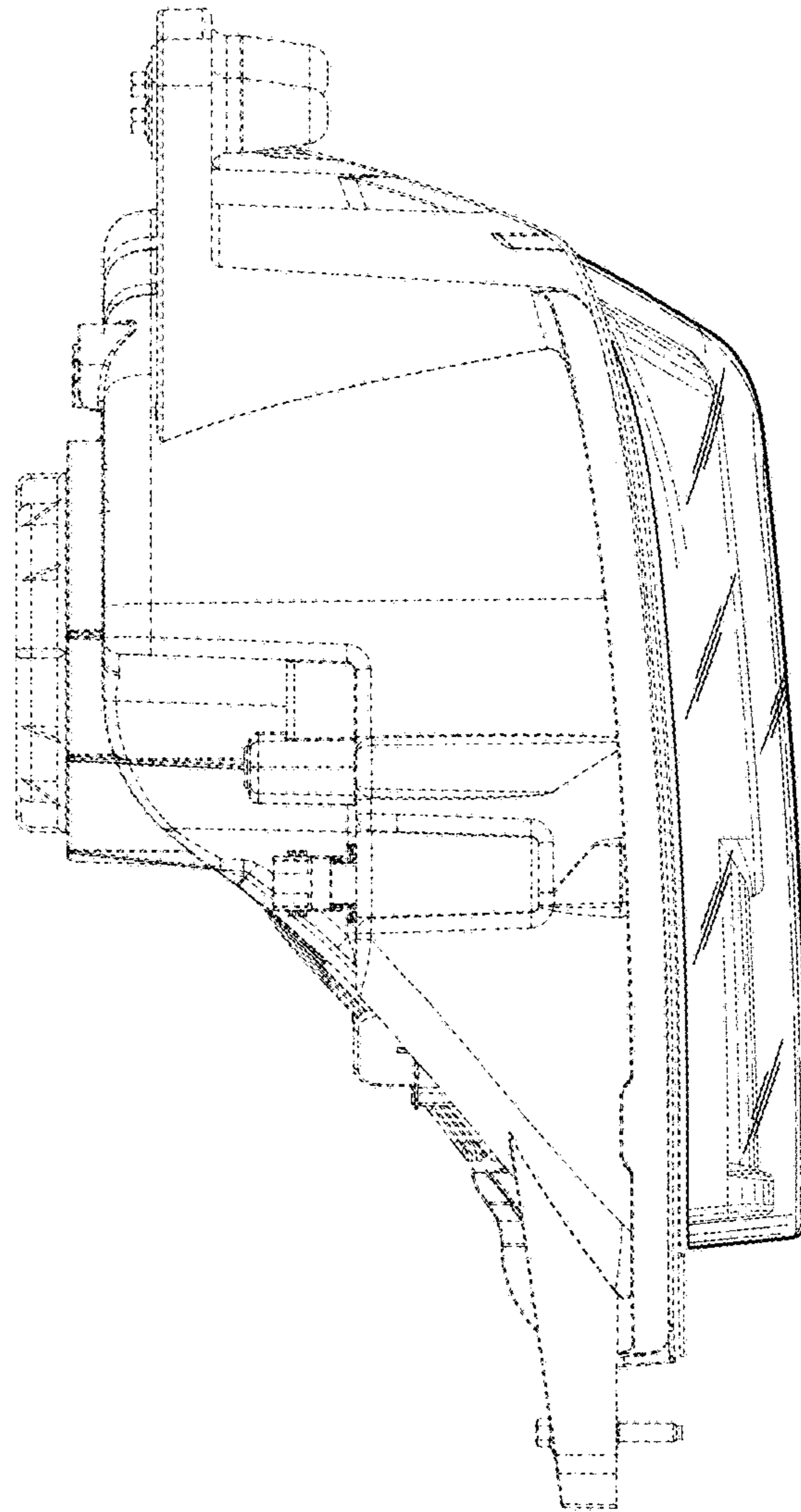




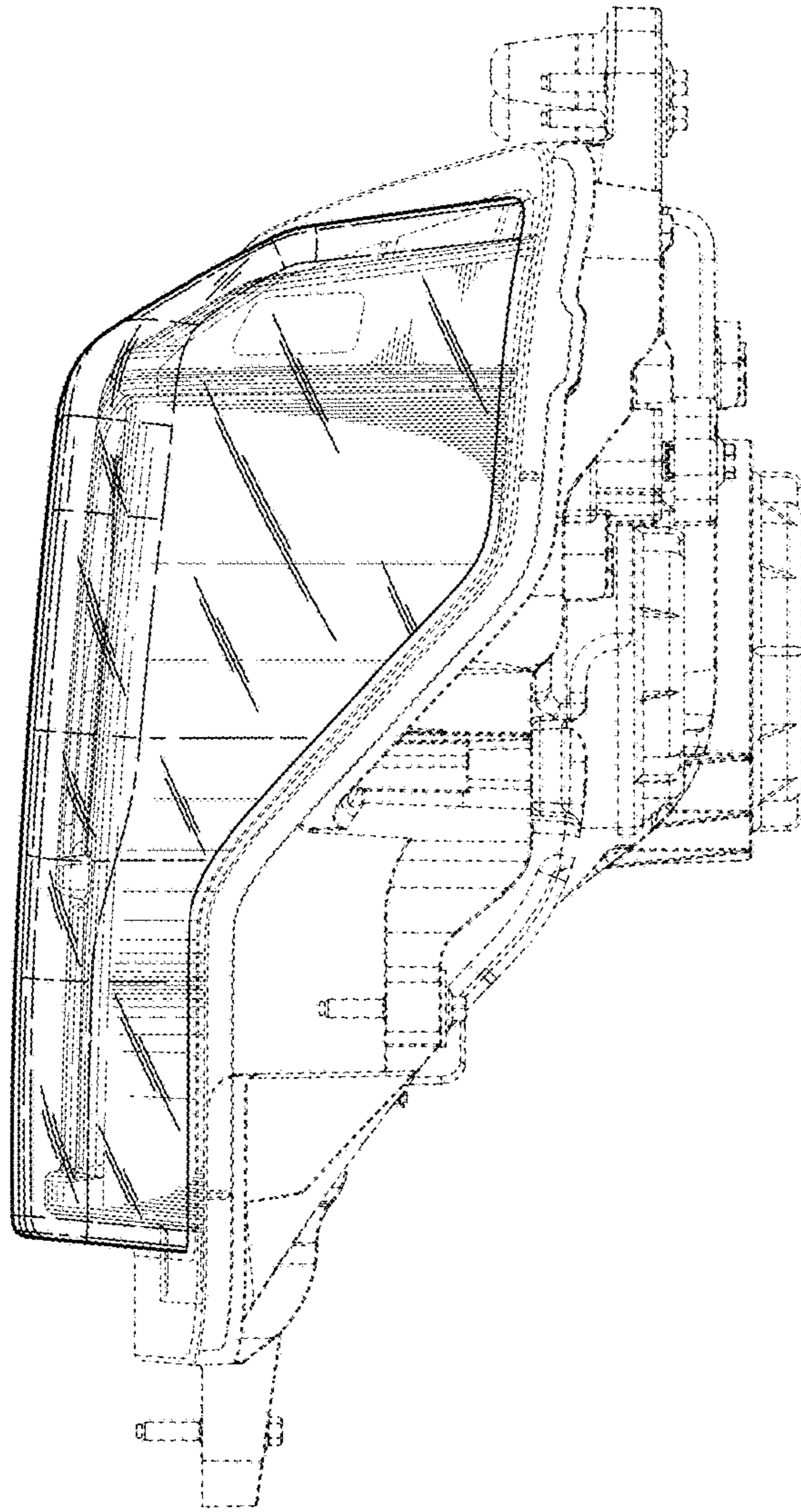
*Fig. 3.*



*Fig. 4.*

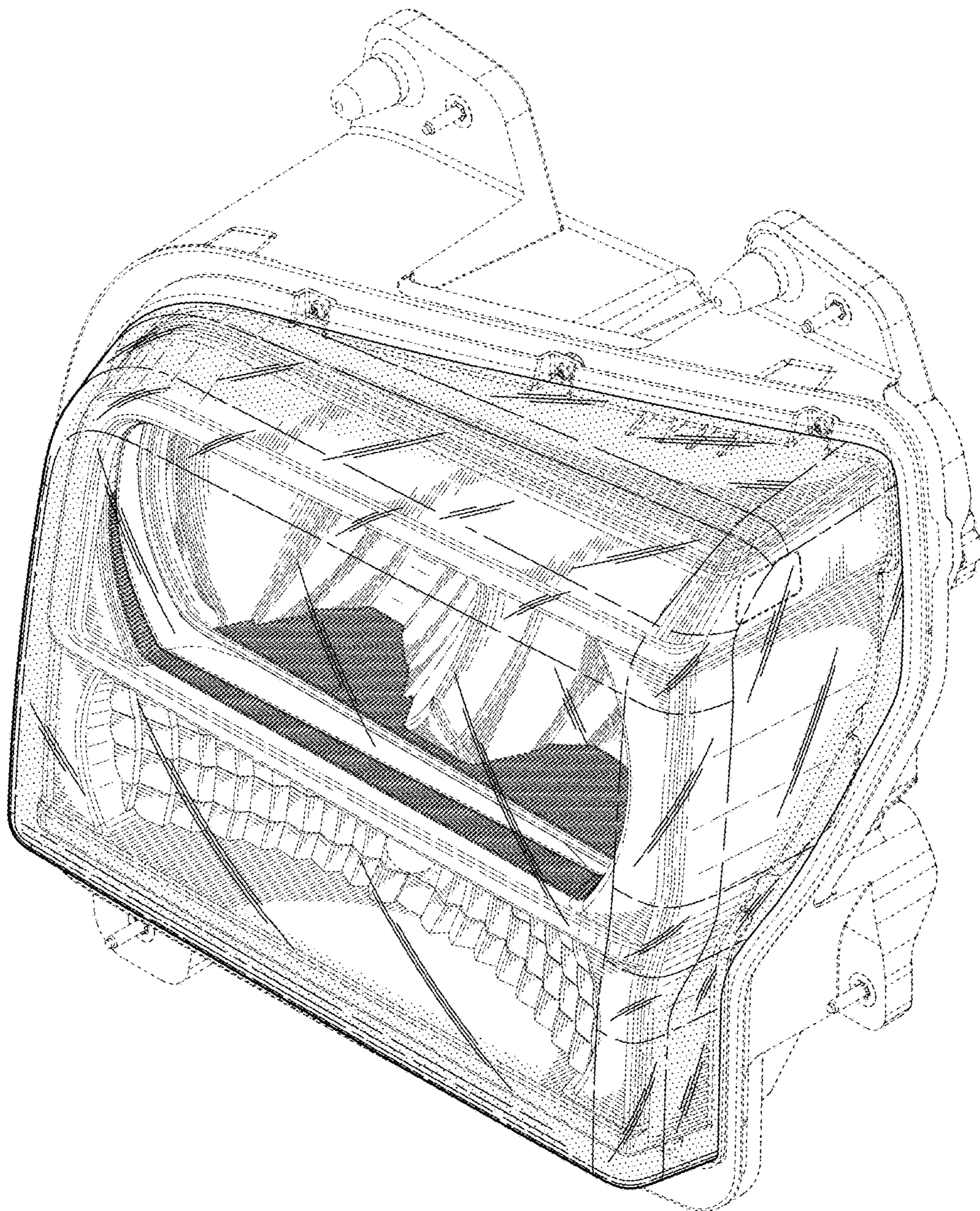


*Fig. 5.*



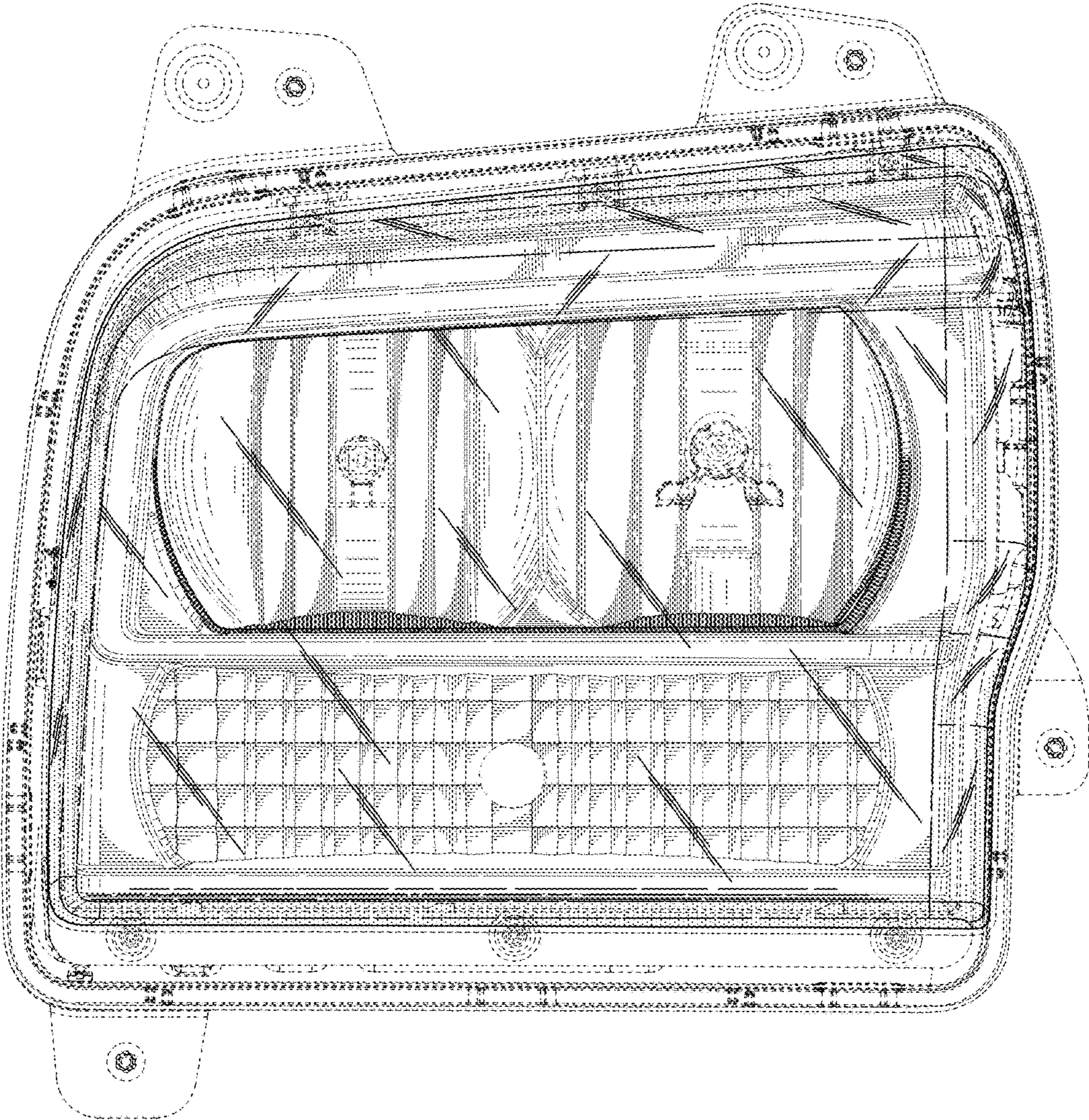
*Fig. 6.*





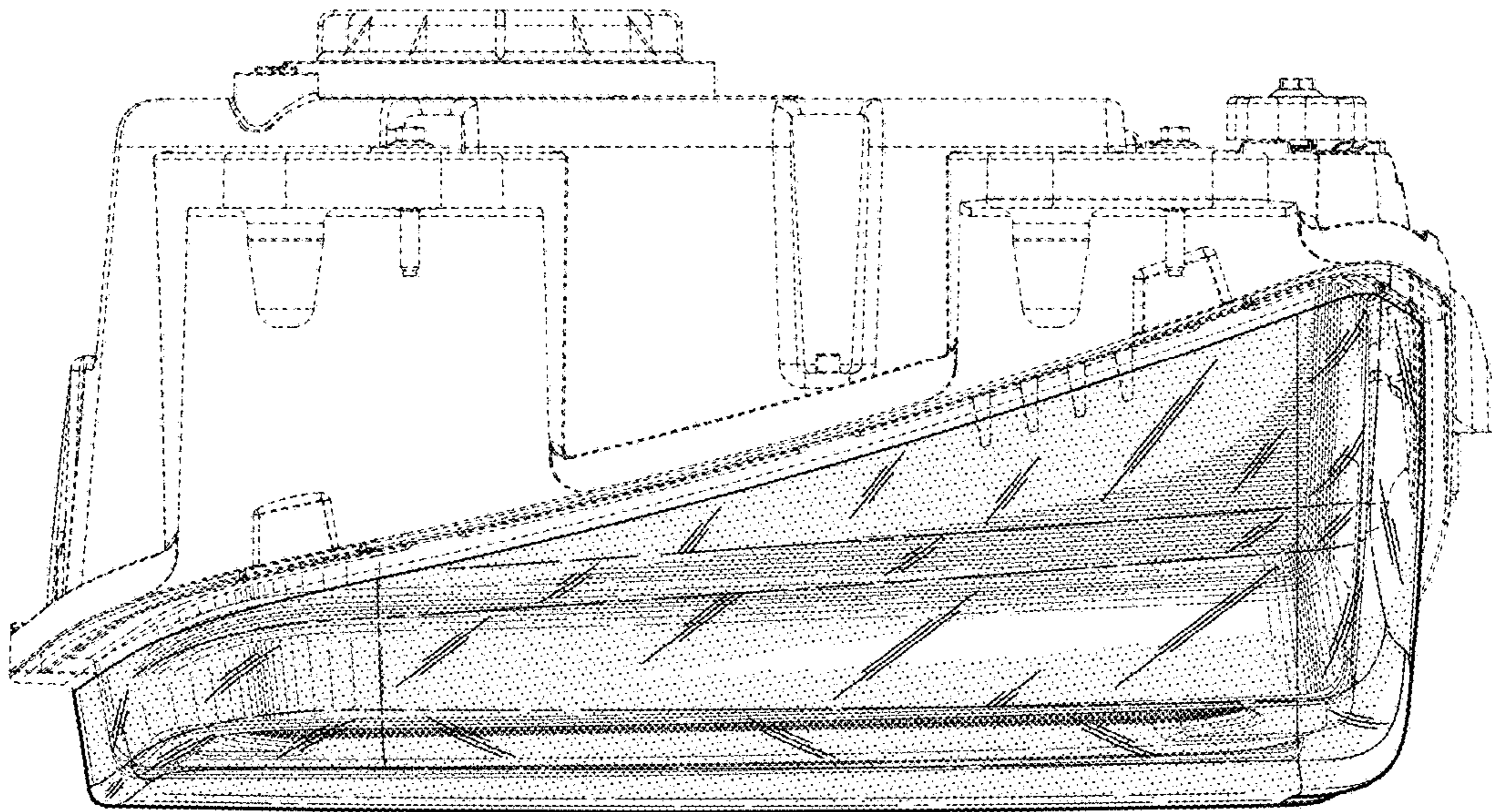
*Fig. 7.*



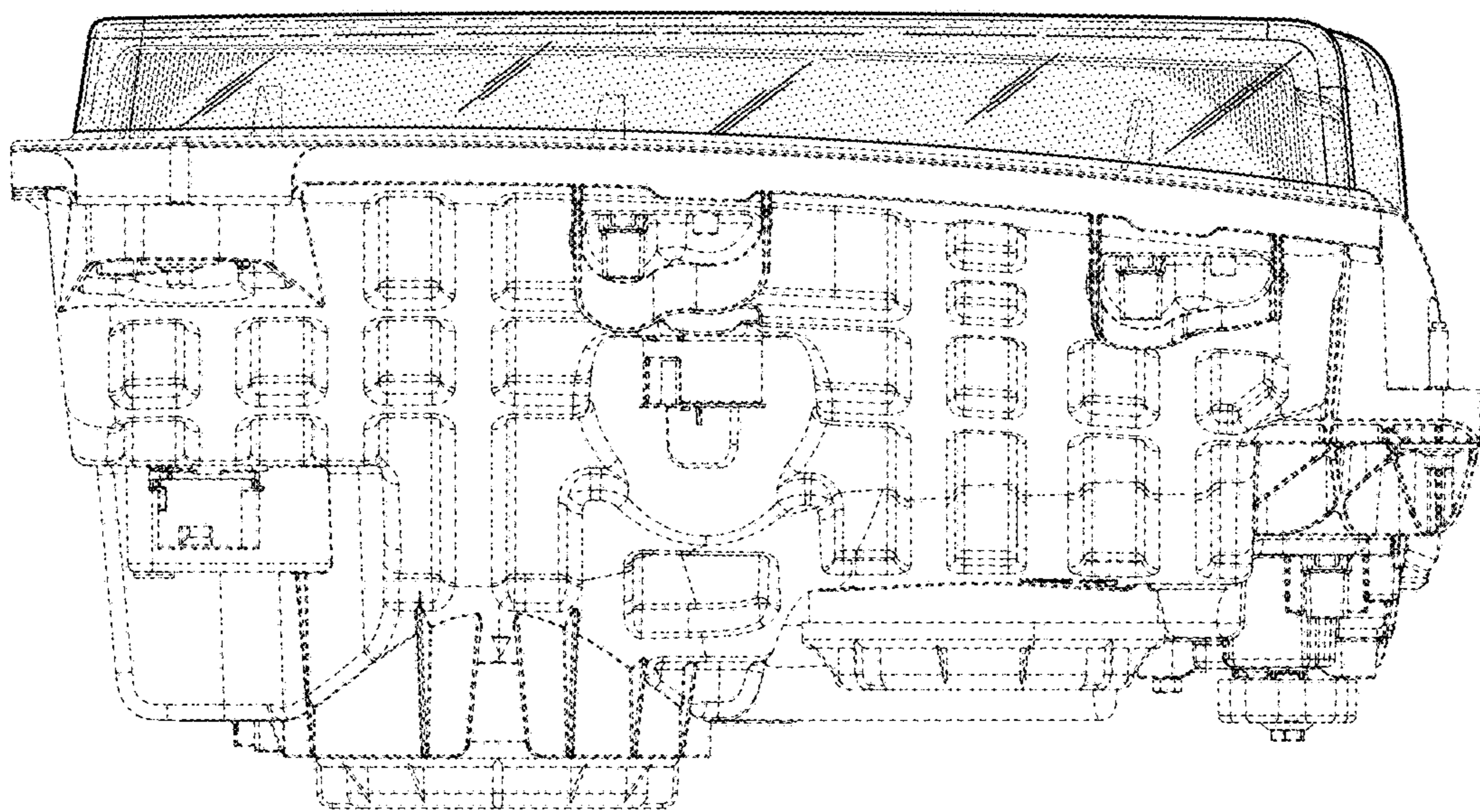


*Fig. 8.*



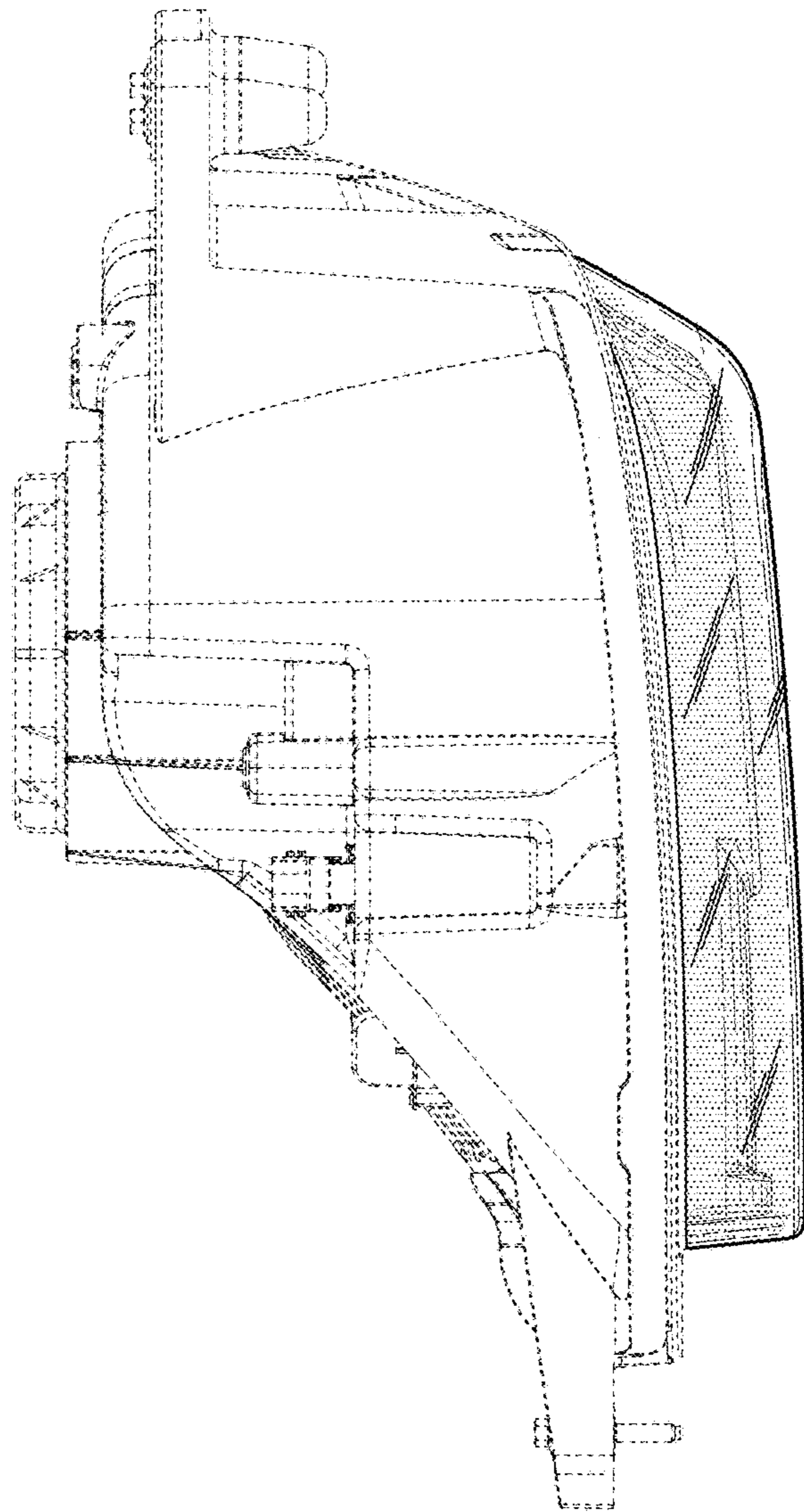


*Fig. 9.*

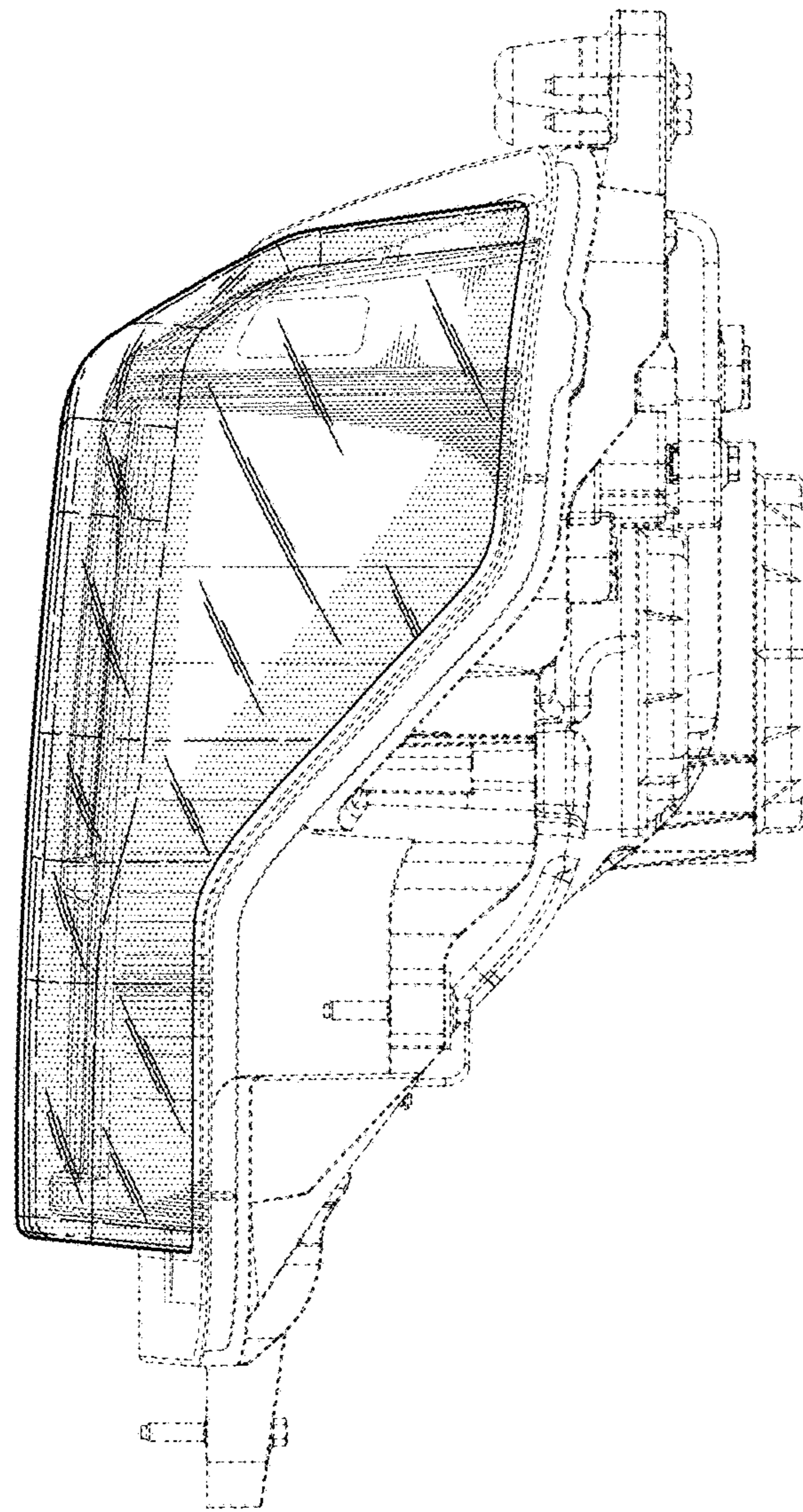


*Fig. 10.*





*Fig. 11.*



*Fig. 12.*