

US00D869031S

(12) **United States Design Patent**  
**Zhang**

(10) **Patent No.:** **US D869,031 S**

(45) **Date of Patent:** **\*\* Dec. 3, 2019**

(54) **LED HEADLAMP BULB**

D769,487 S \* 10/2016 Ma ..... D26/28  
D769,490 S \* 10/2016 Ma ..... D26/28  
D777,961 S \* 1/2017 Wu ..... D26/28

(71) Applicant: **Jianlong Zhang**, Enping (CN)

\* cited by examiner

(72) Inventor: **Jianlong Zhang**, Enping (CN)

*Primary Examiner* — Marcus A Jackson

(\*\*) Term: **15 Years**

(74) *Attorney, Agent, or Firm* — W&K IP

(21) Appl. No.: **29/665,799**

(22) Filed: **Oct. 7, 2018**

(57) **CLAIM**

(51) **LOC (12) Cl.** ..... **26-06**

The ornamental design for a LED headlamp bulb, as shown and described.

(52) **U.S. Cl.**

USPC ..... **D26/28**

(58) **Field of Classification Search**

USPC ..... D26/28–36, 139

CPC ..... F21S 48/00; F21S 48/10; F21S 48/115;

F21S 48/225; F21S 48/1233; F21S

48/1266; F21S 48/1388; F21S 48/2268;

F21V 21/04; B60Q 9/13; B60Q 9/135;

B60Q 9/1375

See application file for complete search history.

**DESCRIPTION**

FIG. 1 is a perspective view of a LED headlamp bulb showing my new design;

FIG. 2 is another perspective view thereof;

FIG. 3 is a front view thereof;

FIG. 4 is a rear view thereof;

FIG. 5 is a left side view thereof;

FIG. 6 is a right side view thereof;

FIG. 7 is a top plan view thereof; and,

FIG. 8 is a bottom plan view thereof.

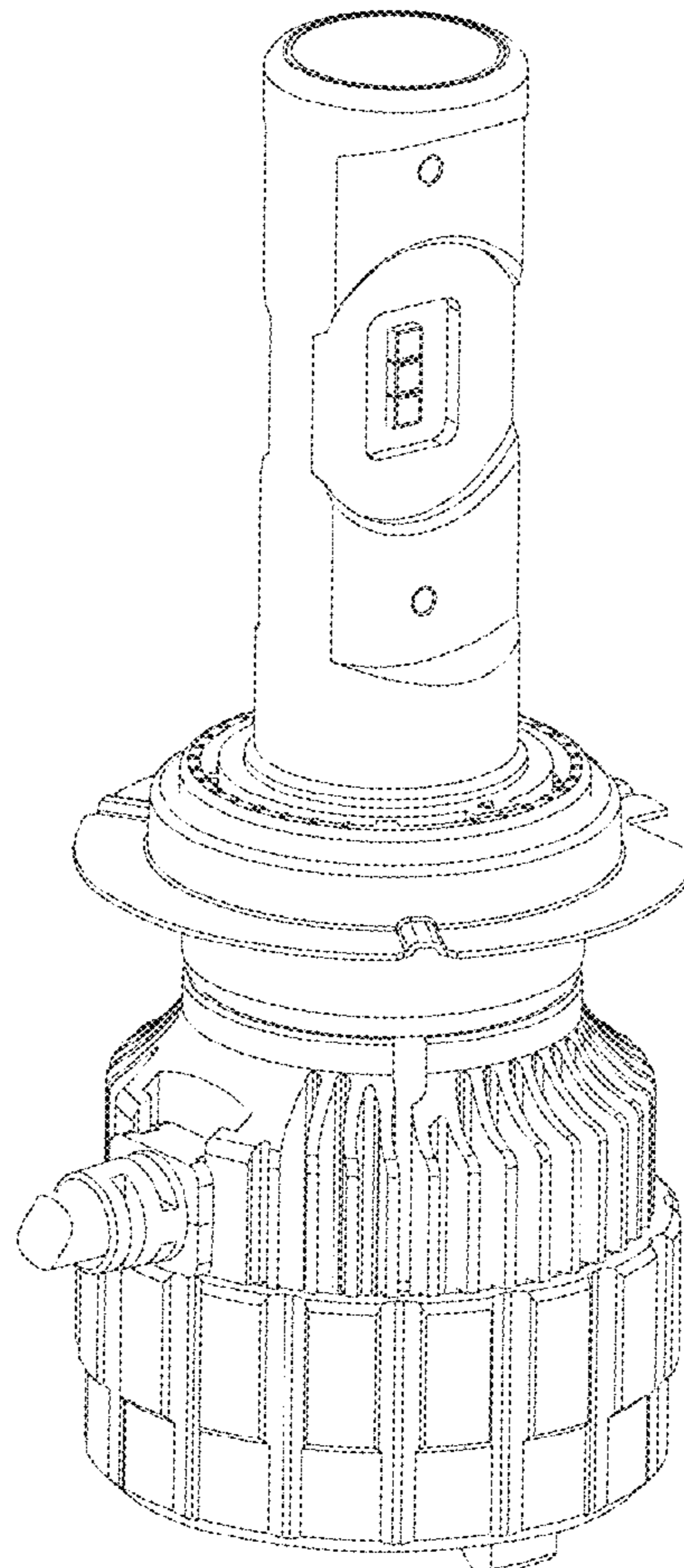
(56) **References Cited**

U.S. PATENT DOCUMENTS

D720,483 S \* 12/2014 Saddig ..... D26/28

D740,984 S \* 10/2015 Chen ..... D26/28

**1 Claim, 8 Drawing Sheets**



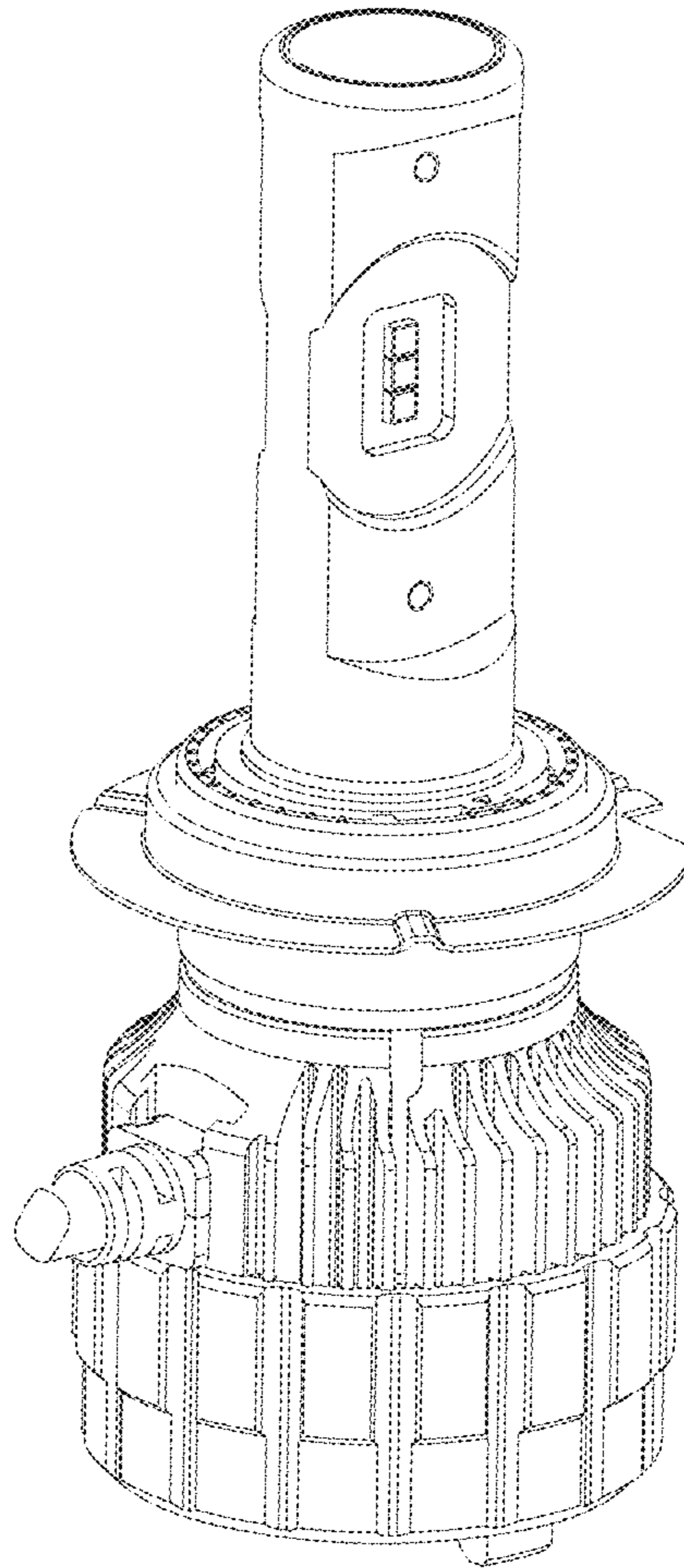


FIG. 1

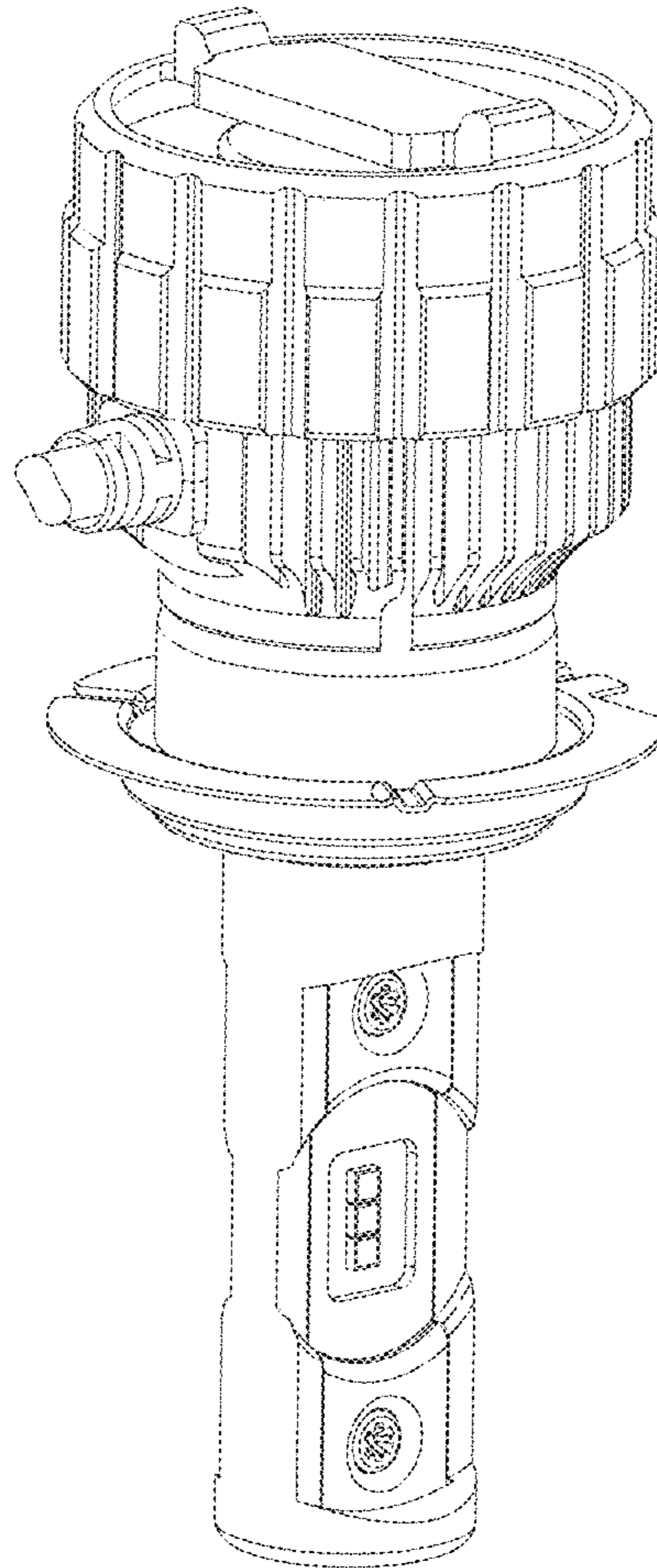


FIG.2

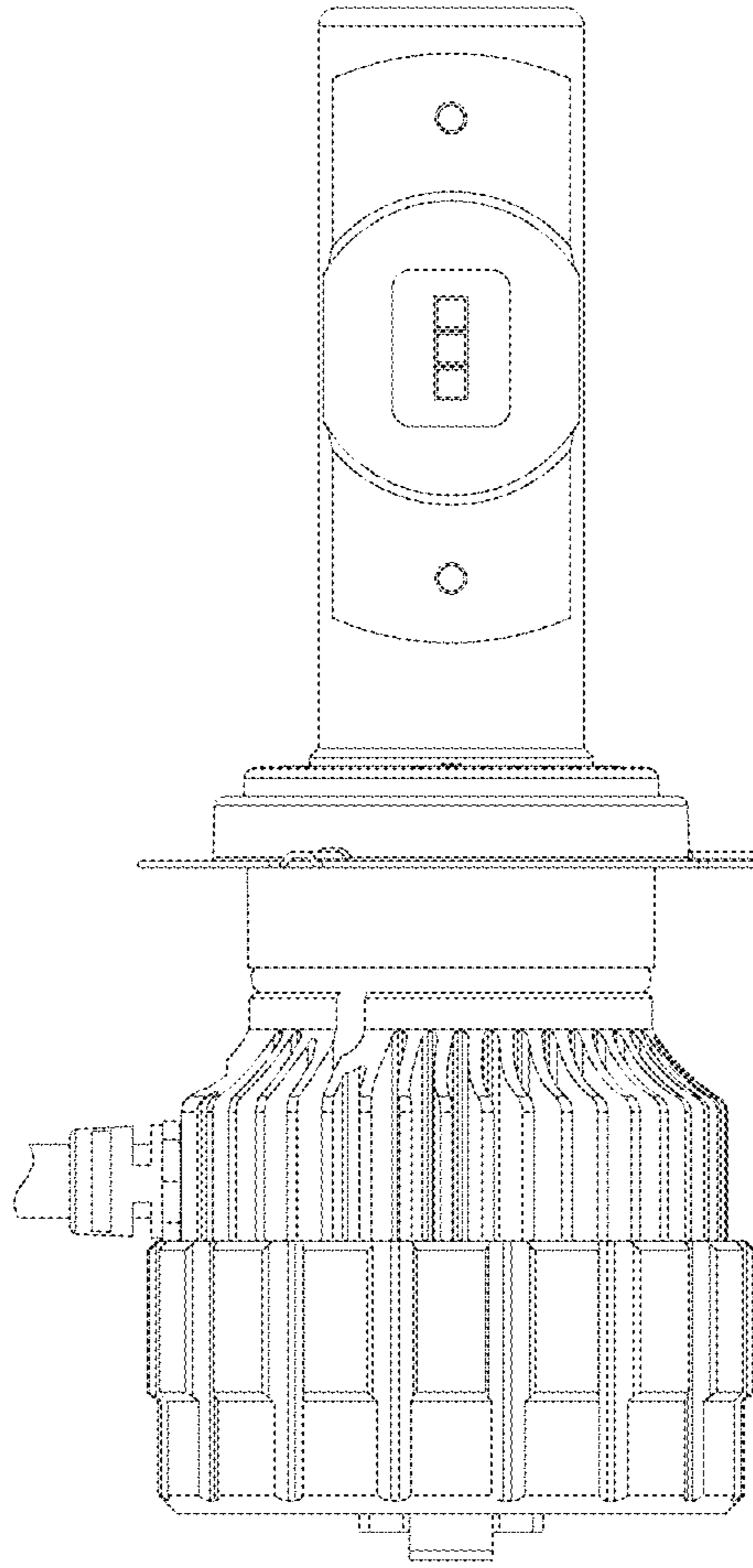


FIG.3

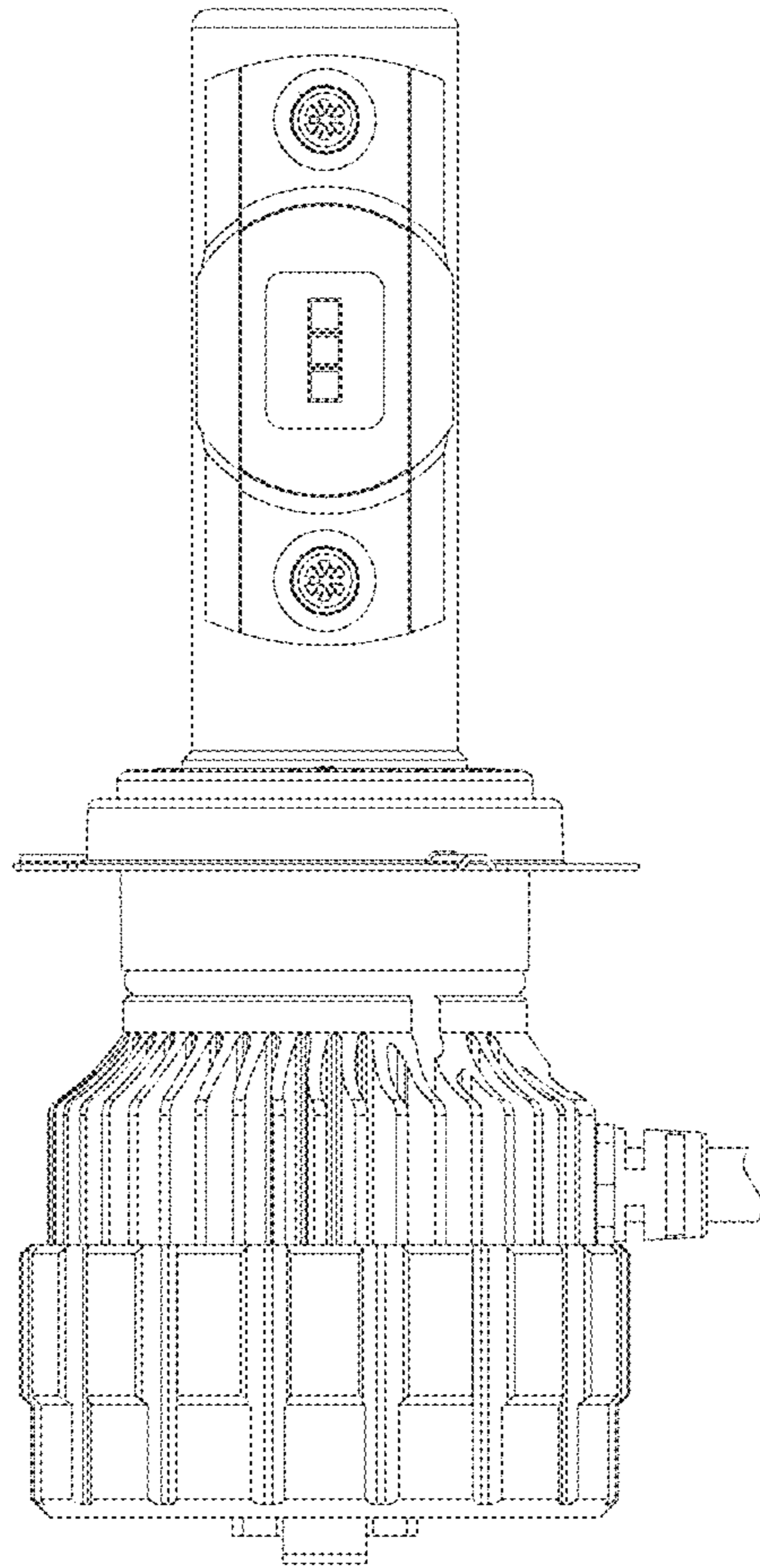


FIG.4

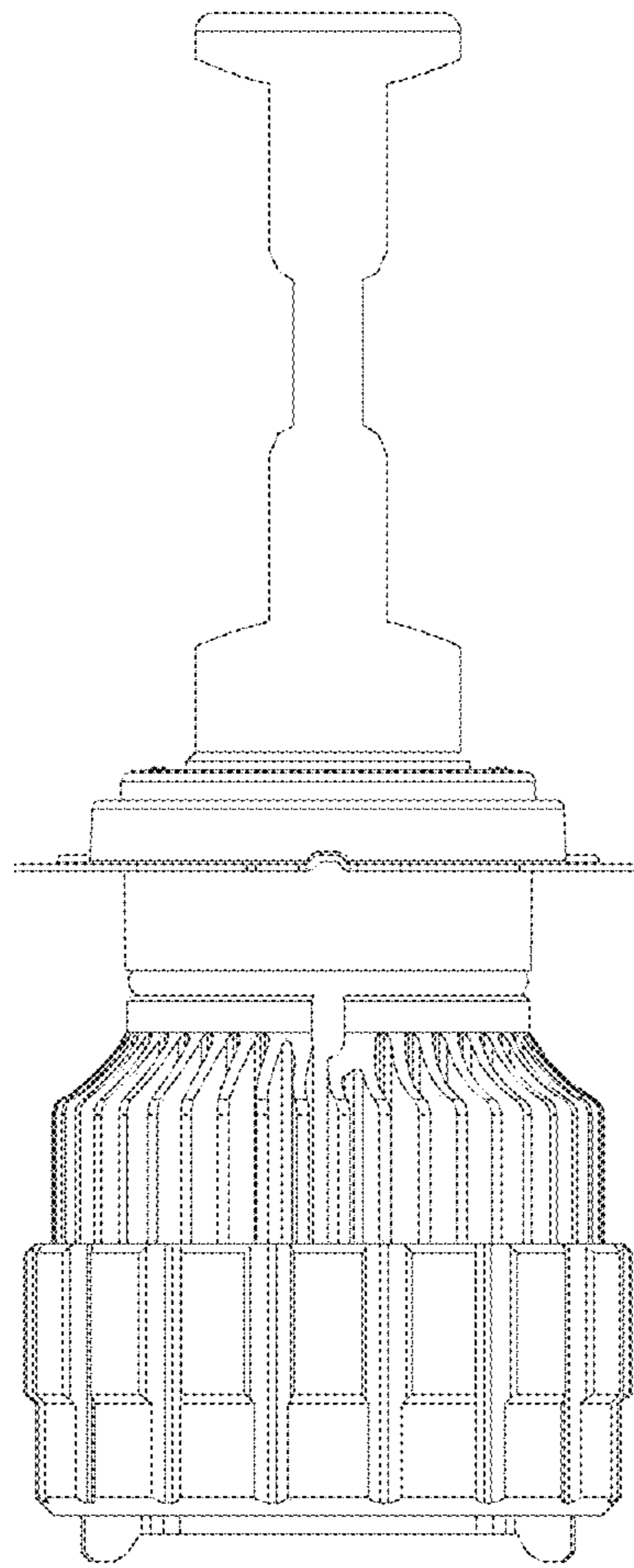


FIG.5



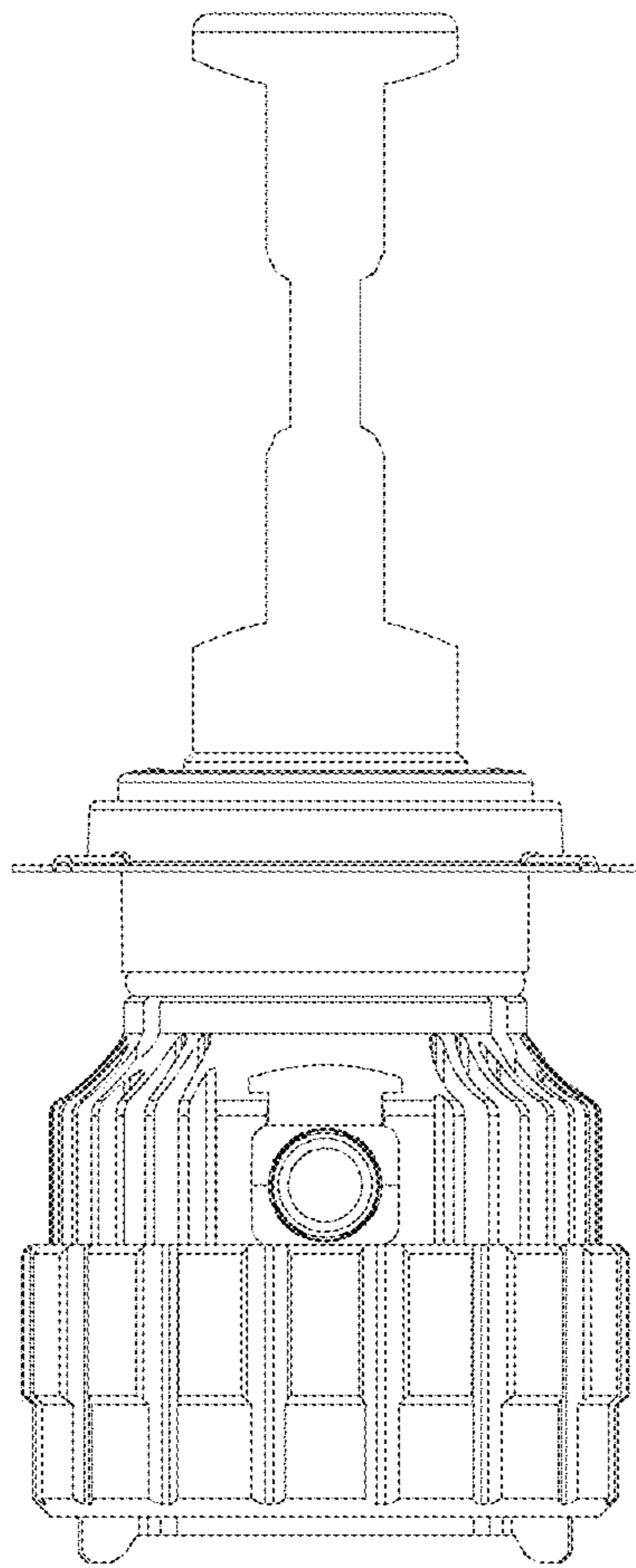


FIG.6

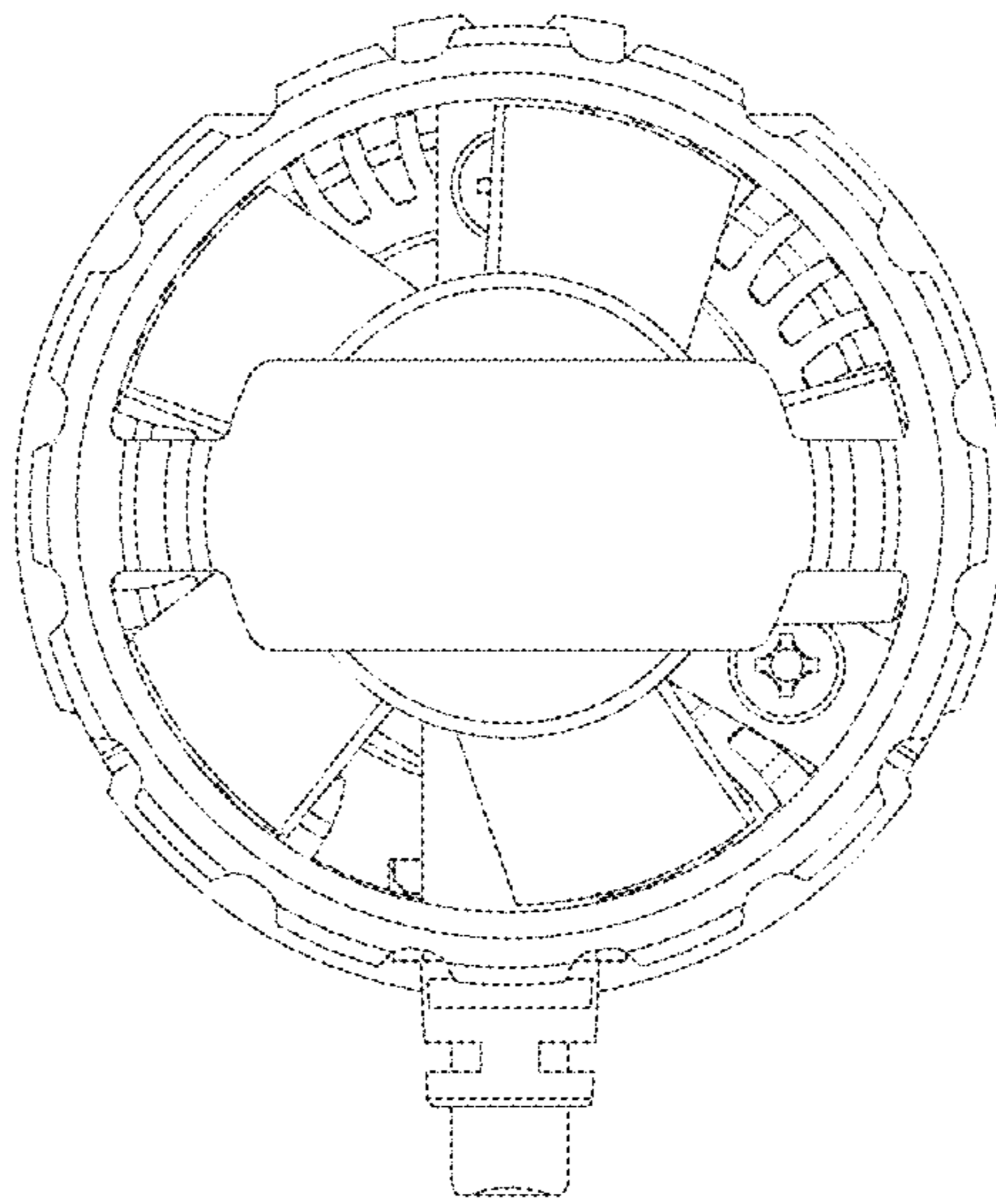


FIG.7



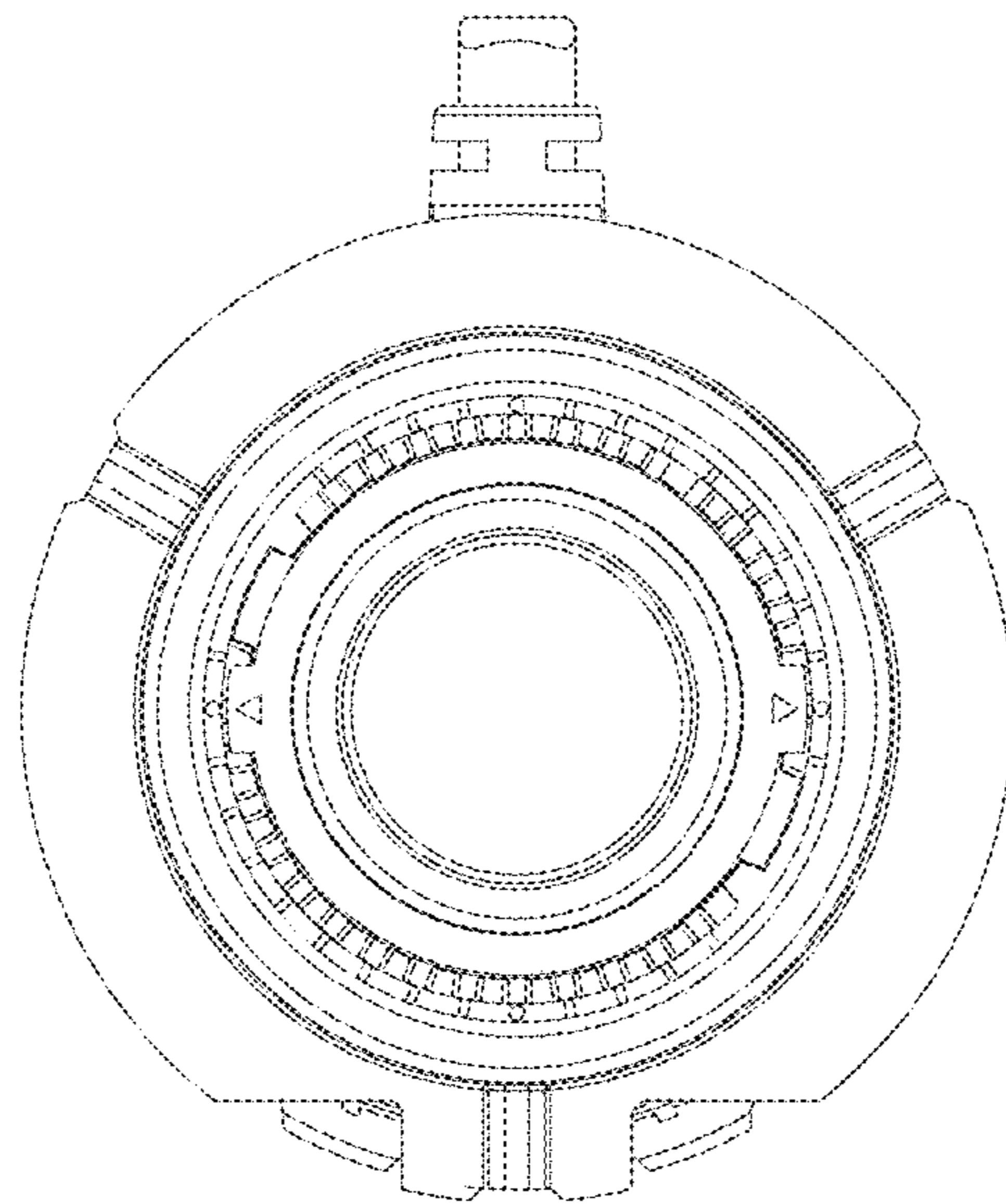


FIG.8