



US00D869023S

(12) **United States Design Patent** (10) **Patent No.:** **US D869,023 S**
Wang (45) **Date of Patent:** **** Dec. 3, 2019**

- (54) **HEADLIGHT FOR BICYCLES**
- (71) Applicant: **Shaofeng Wang**, Foshan (CN)
- (72) Inventor: **Shaofeng Wang**, Foshan (CN)
- (**) Term: **15 Years**
- (21) Appl. No.: **29/655,789**
- (22) Filed: **Jul. 6, 2018**
- (51) **LOC (12) Cl.** **26-06**
- (52) **U.S. Cl.**
USPC **D26/28**
- (58) **Field of Classification Search**
USPC D26/28-36, 139
CPC F21S 48/00; F21S 48/10; F21S 48/115;
F21S 48/225; F21S 48/1233; F21S
48/1266; F21S 48/1388; F21S 48/2268;
F21V 21/04; B60Q 9/13; B60Q 9/135;
B60Q 9/1375
See application file for complete search history.

(56) **References Cited**

U.S. PATENT DOCUMENTS

- D597,237 S * 7/2009 Kumthampinij D26/28
- D629,539 S * 12/2010 Rettenbacher D26/28

- D663,453 S * 7/2012 Nagano D26/28
- D706,468 S * 6/2014 Nagano D26/28
- D709,222 S * 7/2014 Poon D26/28
- D735,381 S * 7/2015 Lee D26/28
- D751,739 S * 3/2016 Hamasaki D26/28

* cited by examiner

Primary Examiner — Marcus A Jackson

(74) *Attorney, Agent, or Firm* — Masuvalley & Partners

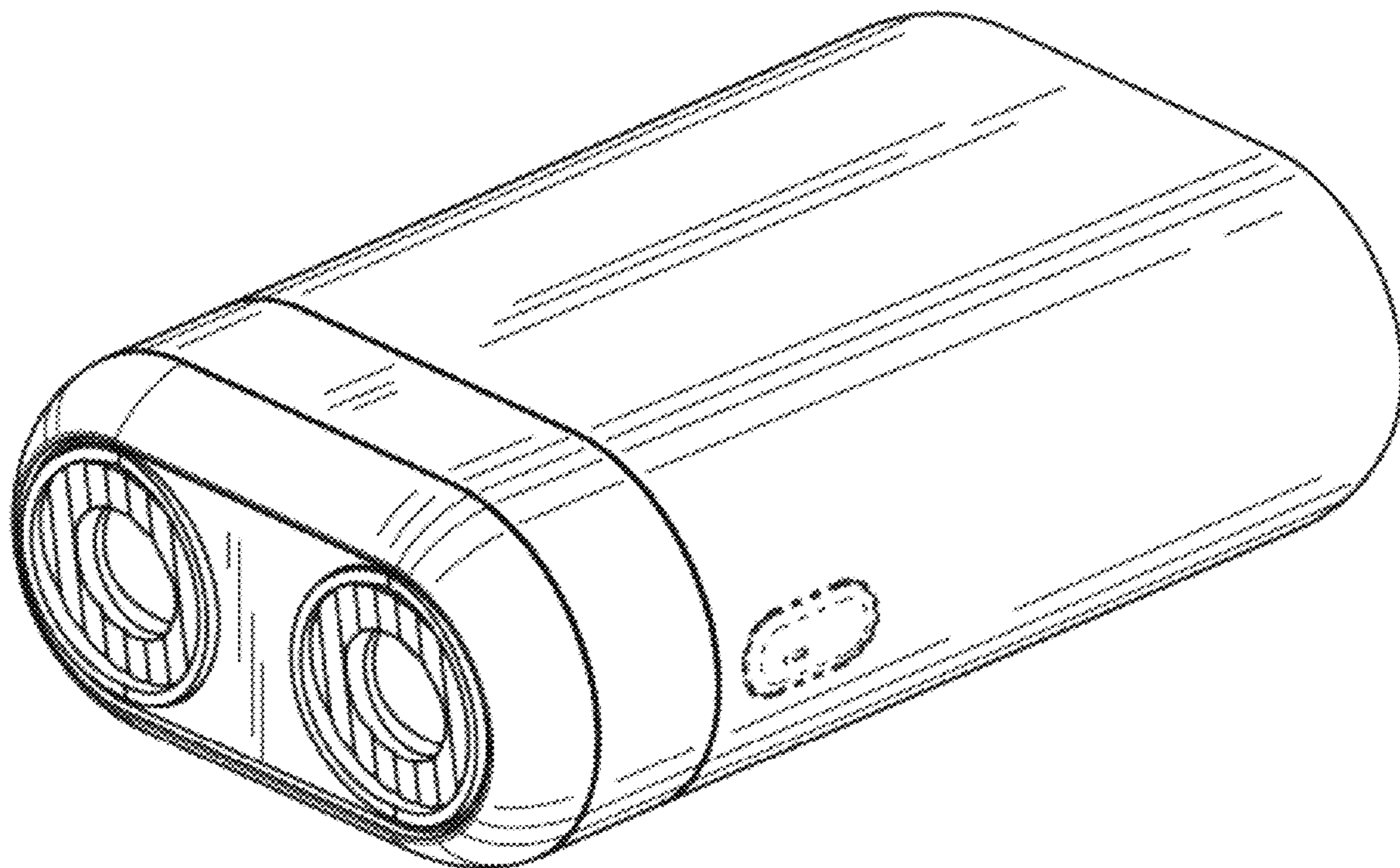
(57) **CLAIM**

The ornamental design for headlight for bicycles, as shown and described.

DESCRIPTION

FIG. 1 is a front view of a headlight for bicycles; FIG. 2 is a rear view of a headlight for bicycles; FIG. 3 is a left view of a headlight for bicycles; FIG. 4 is a right view of a headlight for bicycles; FIG. 5 is a top view of a headlight for bicycles; FIG. 6 is a bottom view of a headlight for bicycles; and, FIG. 7 is a perspective view of a headlight for bicycles. The surface shading illustrated in the drawings is provided merely to highlight the contour of design; it is not intended to be illustrative of texture or gloss.

1 Claim, 7 Drawing Sheets



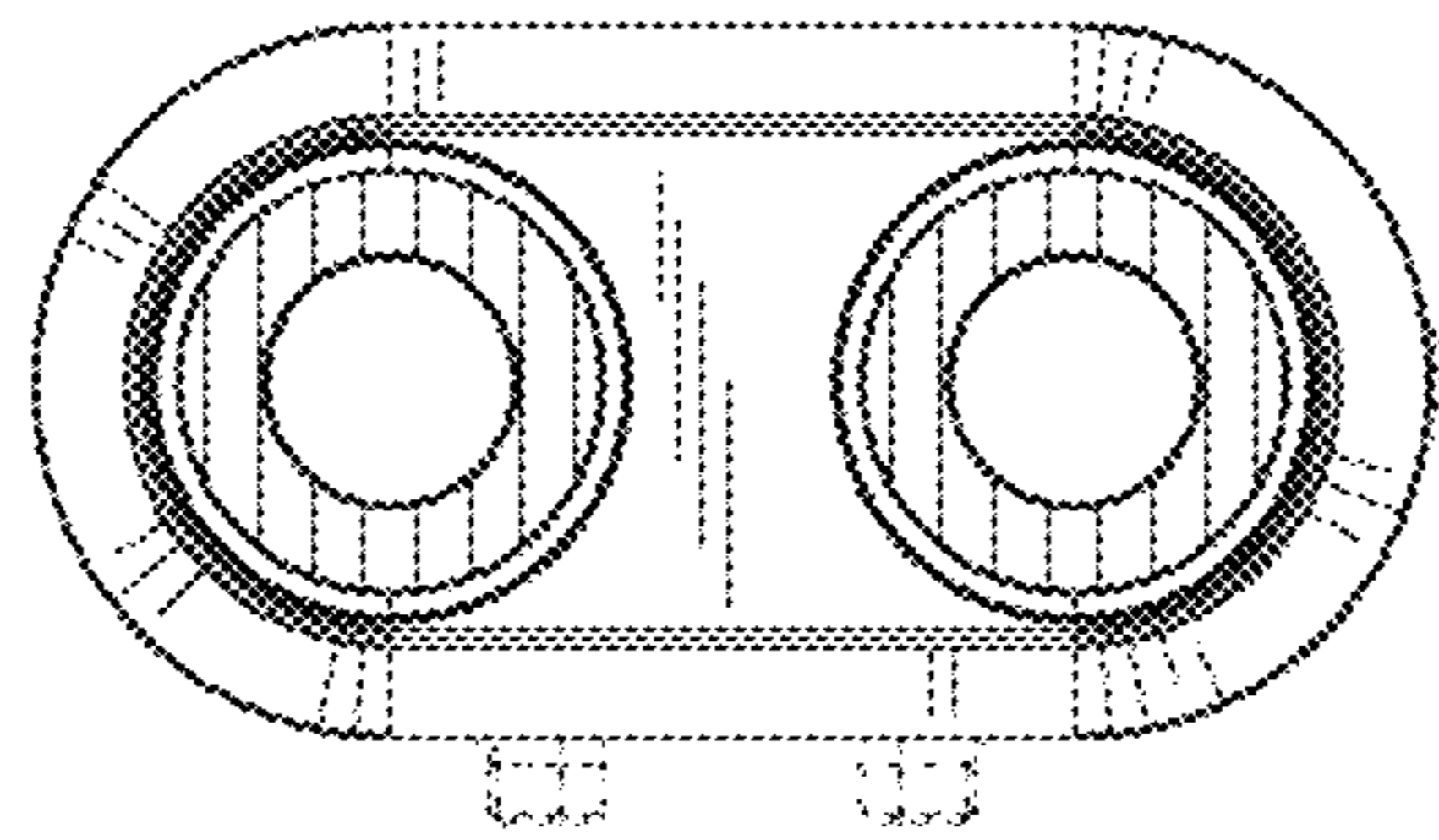


FIG. 1

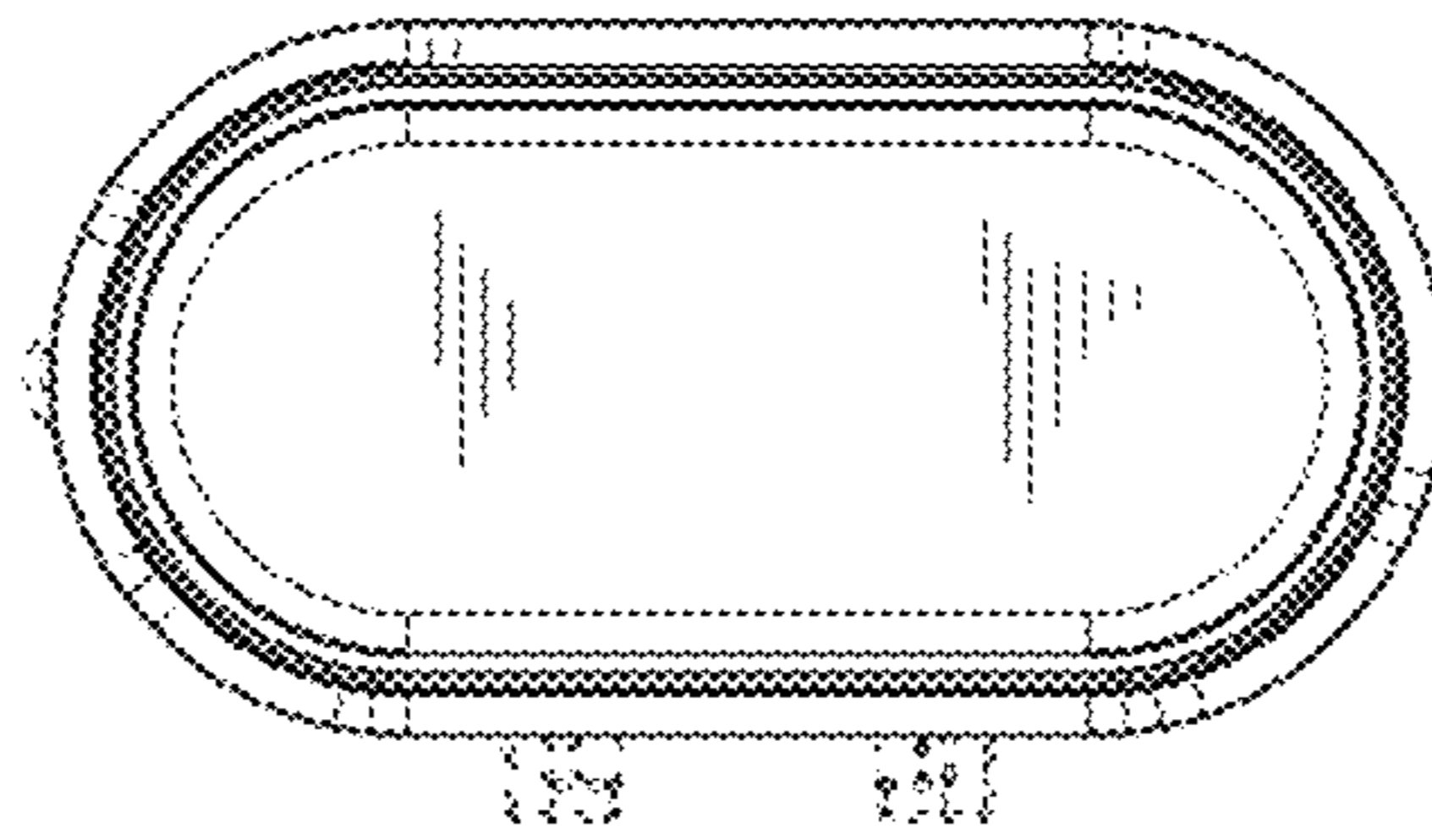


FIG. 2

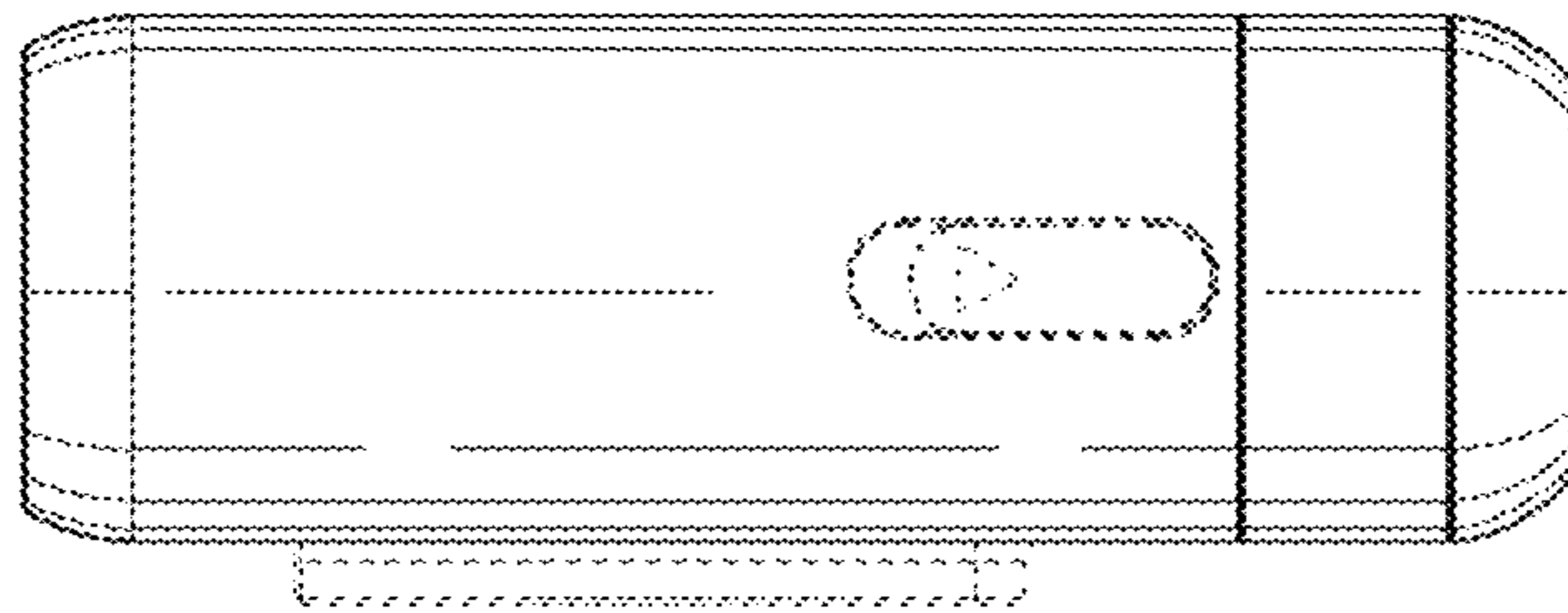


FIG. 3

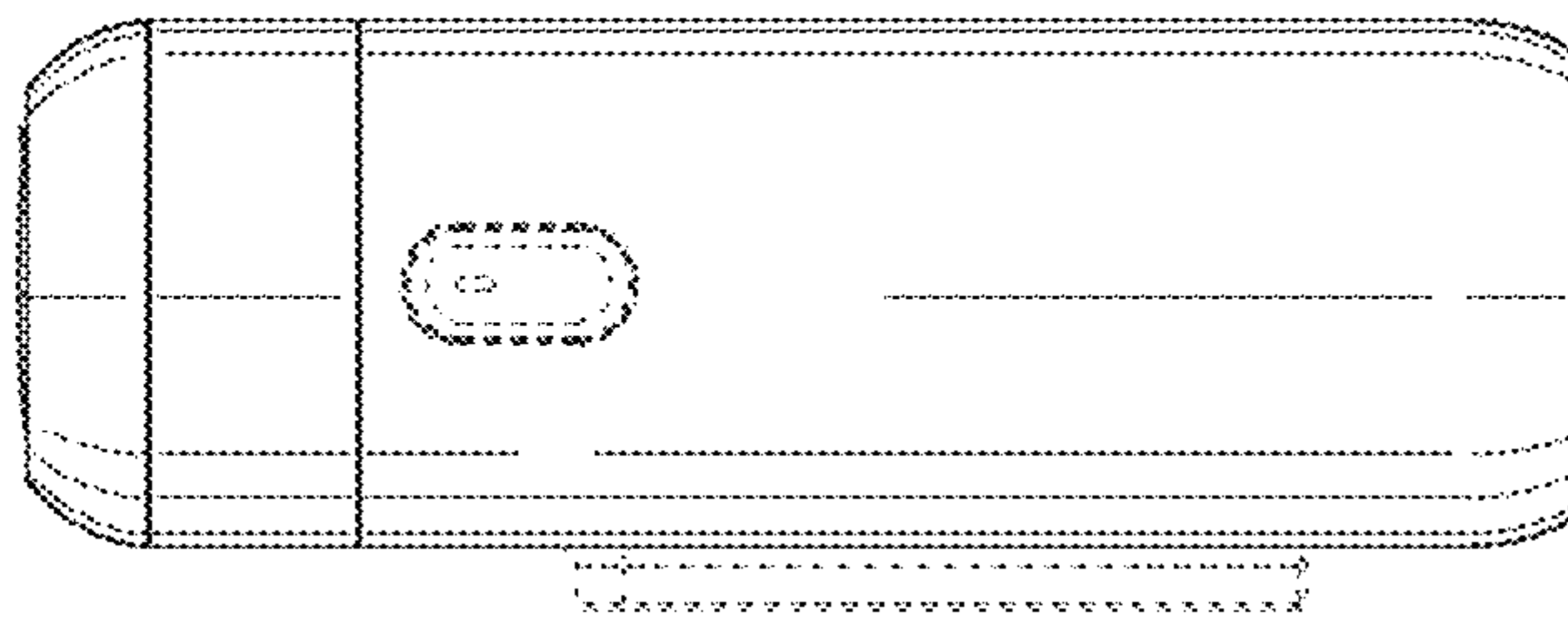


FIG. 4

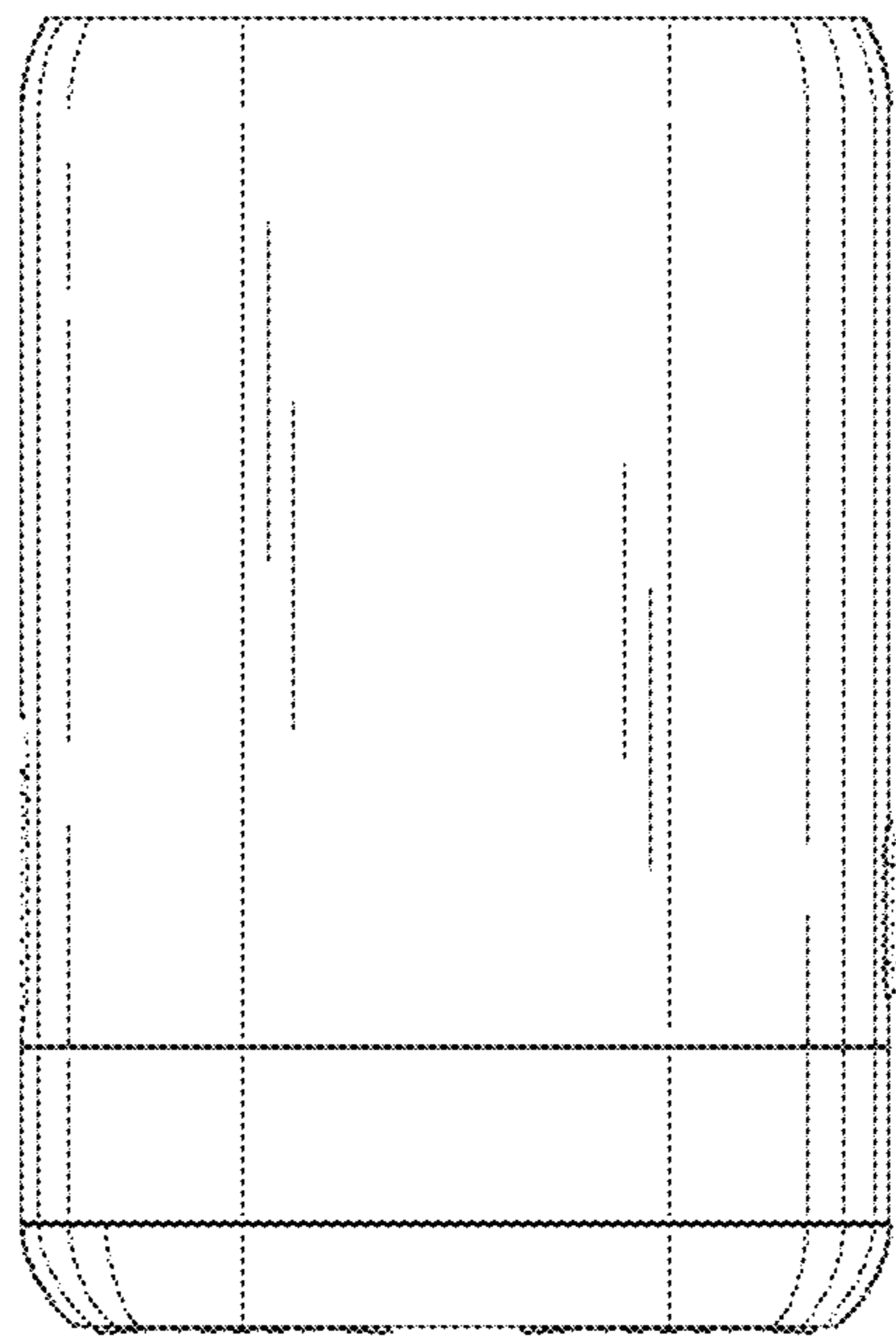


FIG. 5

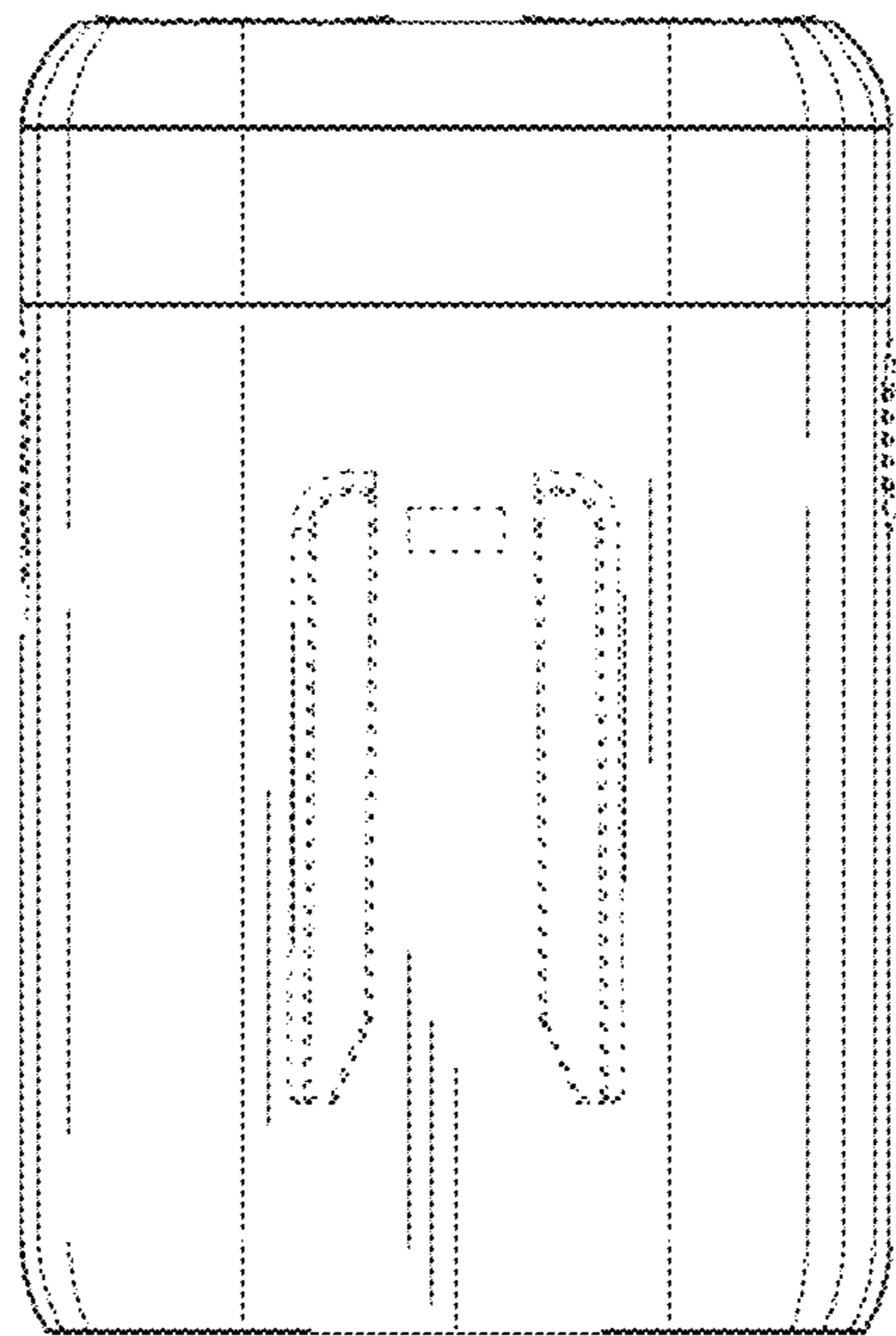


FIG. 6

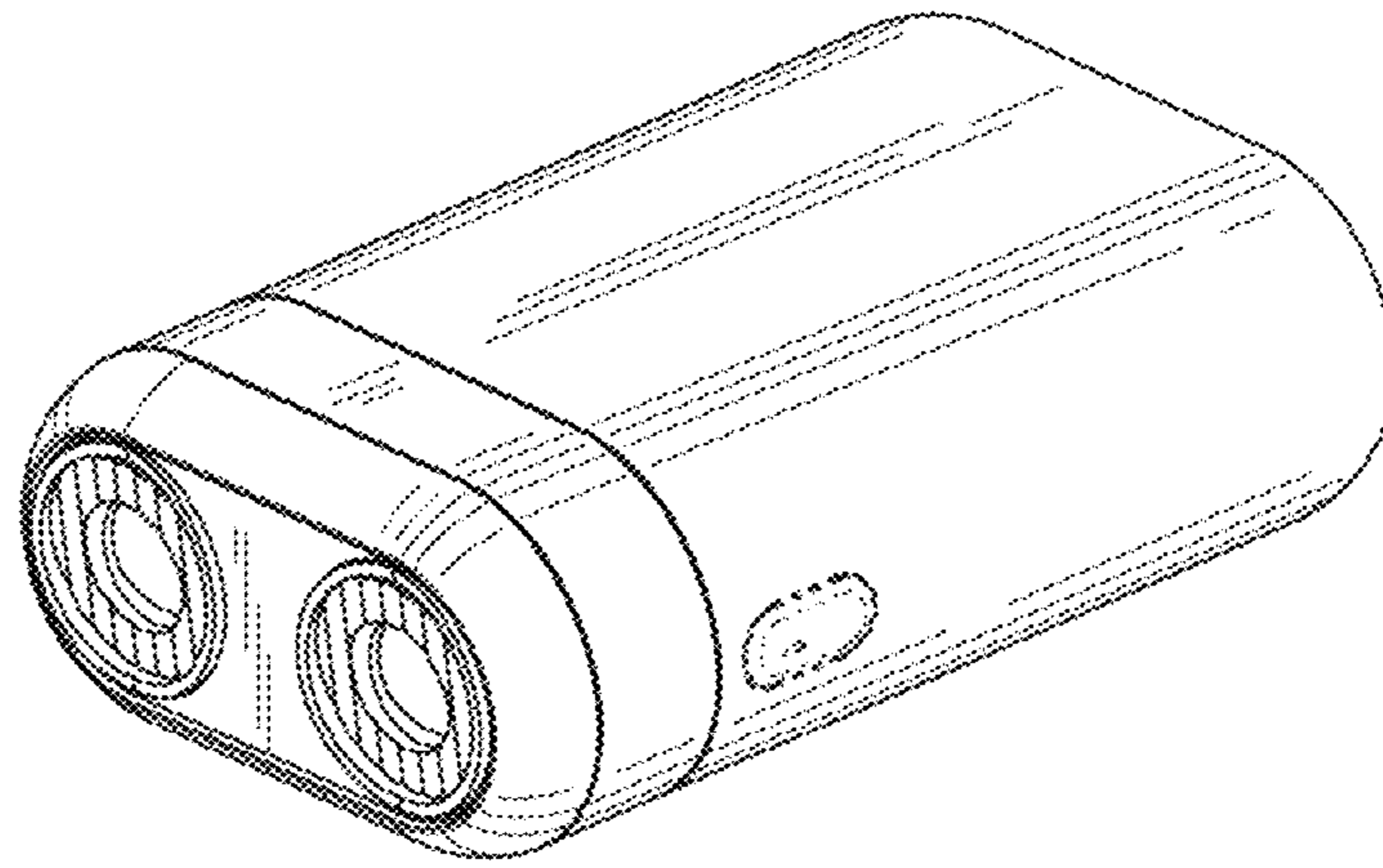


FIG. 7