



US00D869022S

(12) **United States Design Patent** (10) **Patent No.:** **US D869,022 S**  
**Wu** (45) **Date of Patent:** **\*\* Dec. 3, 2019**

(54) **VEHICLE LIGHT**  
(71) Applicant: **COPLUS INC.**, Tainan (TW)  
(72) Inventor: **Po-Hua Wu**, Tainan (TW)  
(73) Assignee: **Coplus Inc.**, Tainan (TW)  
(\*\*) Term: **15 Years**  
(21) Appl. No.: **29/646,571**  
(22) Filed: **May 4, 2018**  
(51) **LOC (12) Cl.** ..... **26-06**  
(52) **U.S. Cl.**  
USPC ..... **D26/28**  
(58) **Field of Classification Search**  
USPC ..... D12/86, 90-92, 114, 163, 169, 171-173,  
D12/181, 190, 196, 197, 199, 400;  
D17/1, 222; D26/28-36  
CPC .. B62J 6/02; B62J 6/00; B60Q 3/0279; B60Q  
3/104; B60Q 3/10408; B60Q 3/10466;  
B60Q 3/12653; B60Q 3/128; F21S 48/00;  
F21S 48/10; F21S 48/115; F21S 48/225;  
F21S 48/1233; F21S 48/1266; F21S  
48/1388; F21S 48/2268; F21V 21/04  
See application file for complete search history.

D767,180 S \* 9/2016 Lai ..... D26/28  
D769,478 S \* 10/2016 Gorsten Schuenemann .. D26/28  
D792,618 S \* 7/2017 Wu ..... D26/28  
D792,619 S \* 7/2017 Wu ..... D26/28  
D796,709 S \* 9/2017 Lai ..... D26/28  
D812,274 S \* 3/2018 Wu ..... D26/28  
D816,247 S \* 4/2018 Wu ..... D26/28  
D822,235 S \* 7/2018 Lin ..... D26/28  
D831,247 S \* 10/2018 Lin ..... D26/28  
D832,476 S \* 10/2018 Yang ..... D26/28  
D844,199 S \* 3/2019 Lin ..... D26/28  
2014/0192548 A1\* 7/2014 Kracker ..... F21S 41/147  
362/538

\* cited by examiner

*Primary Examiner* — Philip S Hyder  
*Assistant Examiner* — Cary M Robinson  
(74) *Attorney, Agent, or Firm* — Lewis Roca Rothgerber  
Christie LLP

(57) **CLAIM**

The ornamental design for a vehicle light, as shown and described.

**DESCRIPTION**

FIG. 1 is a perspective view of the vehicle light;  
FIG. 2 is a front view thereof;  
FIG. 3 is a rear view thereof;  
FIG. 4 is a left side view thereof;  
FIG. 5 is a right side view thereof;  
FIG. 6 is a top view thereof; and,  
FIG. 7 is a bottom view.

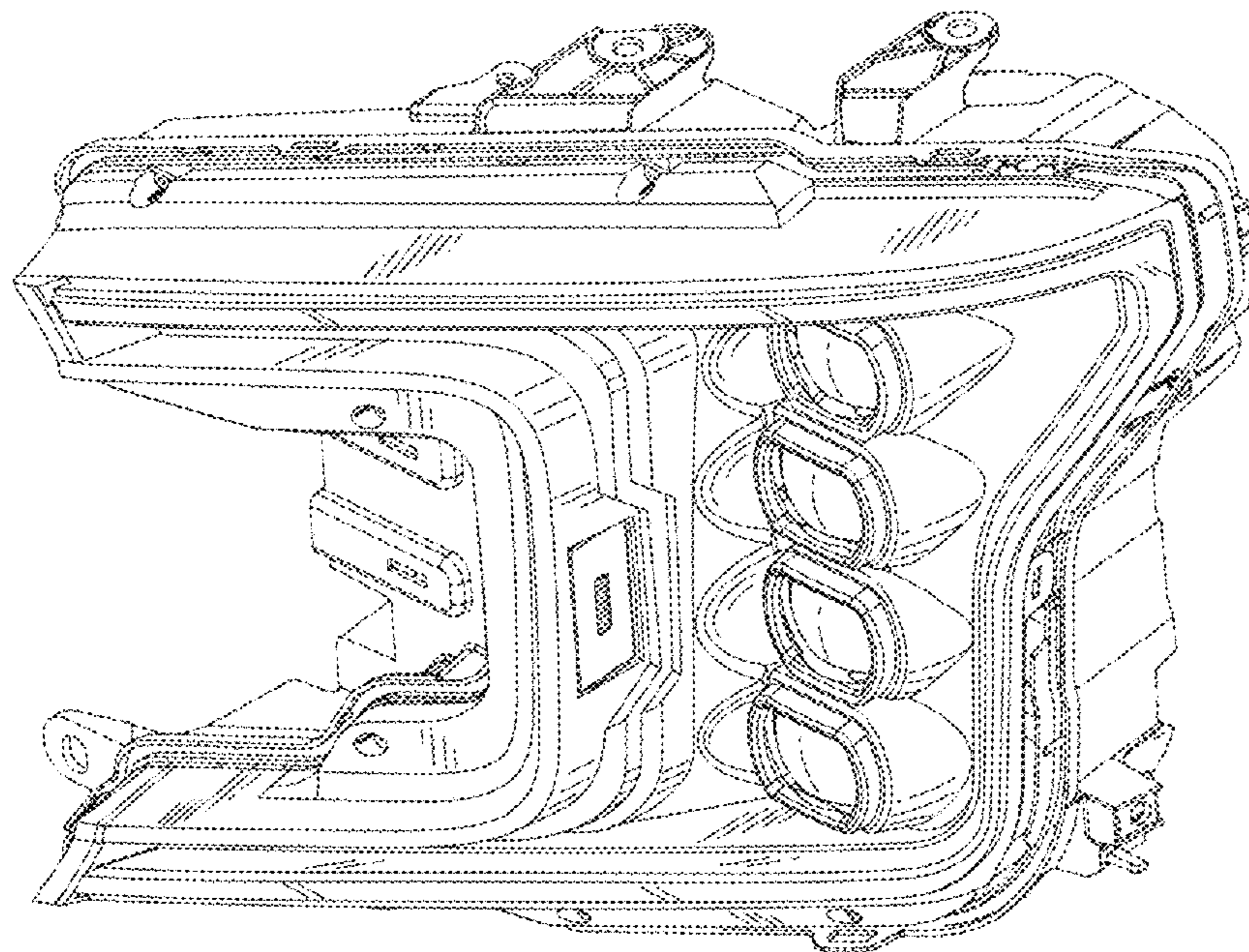
The broken lines in the drawings illustrate portions of the vehicle light in which the design is embodied that form no part of the claimed design.

**1 Claim, 7 Drawing Sheets**

(56) **References Cited**

U.S. PATENT DOCUMENTS

D504,734 S \* 5/2005 Weng ..... D26/28  
D560,292 S \* 1/2008 Sato ..... D26/28  
D574,524 S \* 8/2008 Tomatsu ..... D26/28  
D593,231 S \* 5/2009 Koman ..... D26/28  
D642,711 S \* 8/2011 Schneider ..... D26/28  
D703,847 S \* 4/2014 MacKay ..... D26/28  
D749,246 S \* 2/2016 Thole ..... D26/28



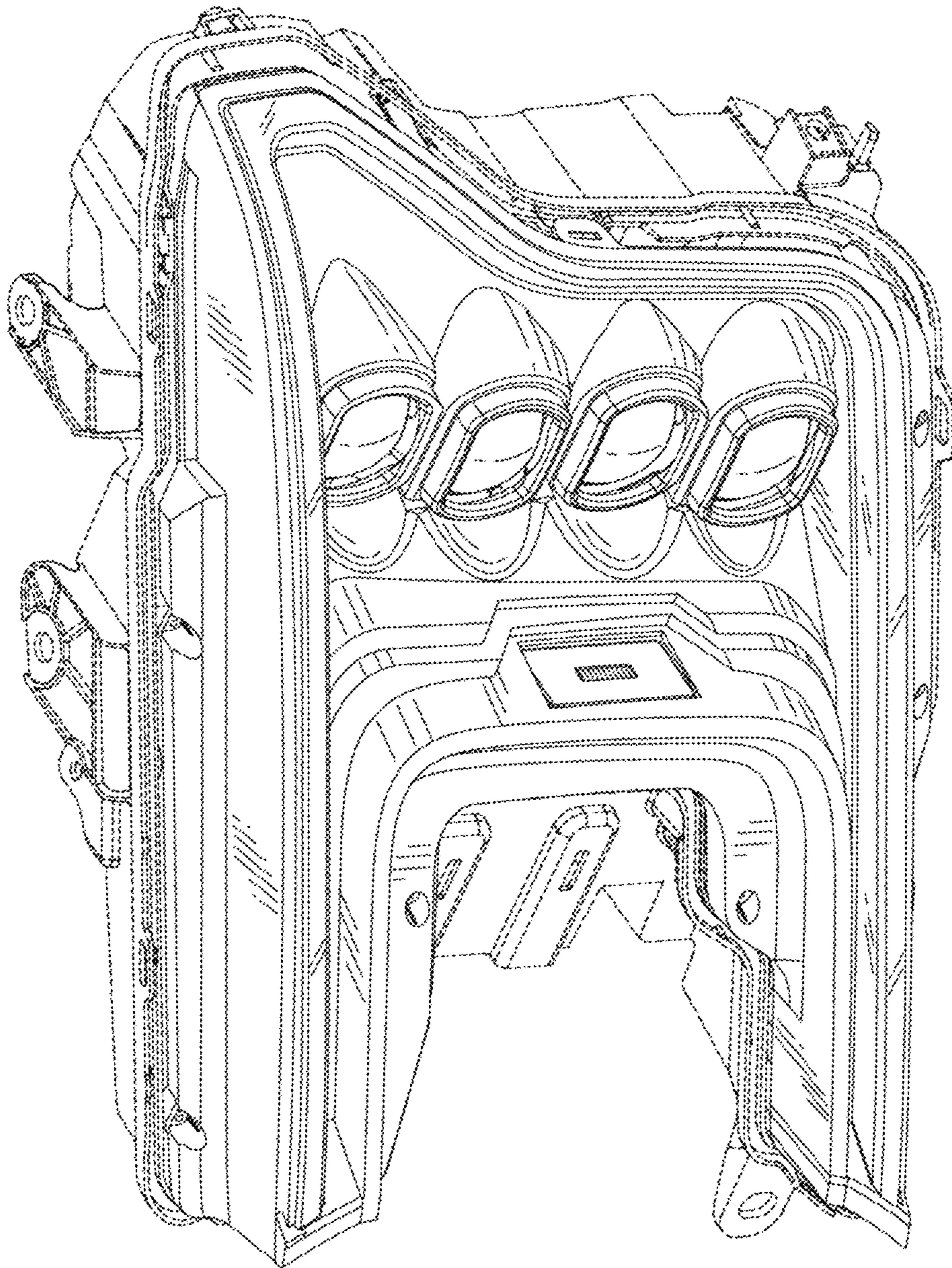
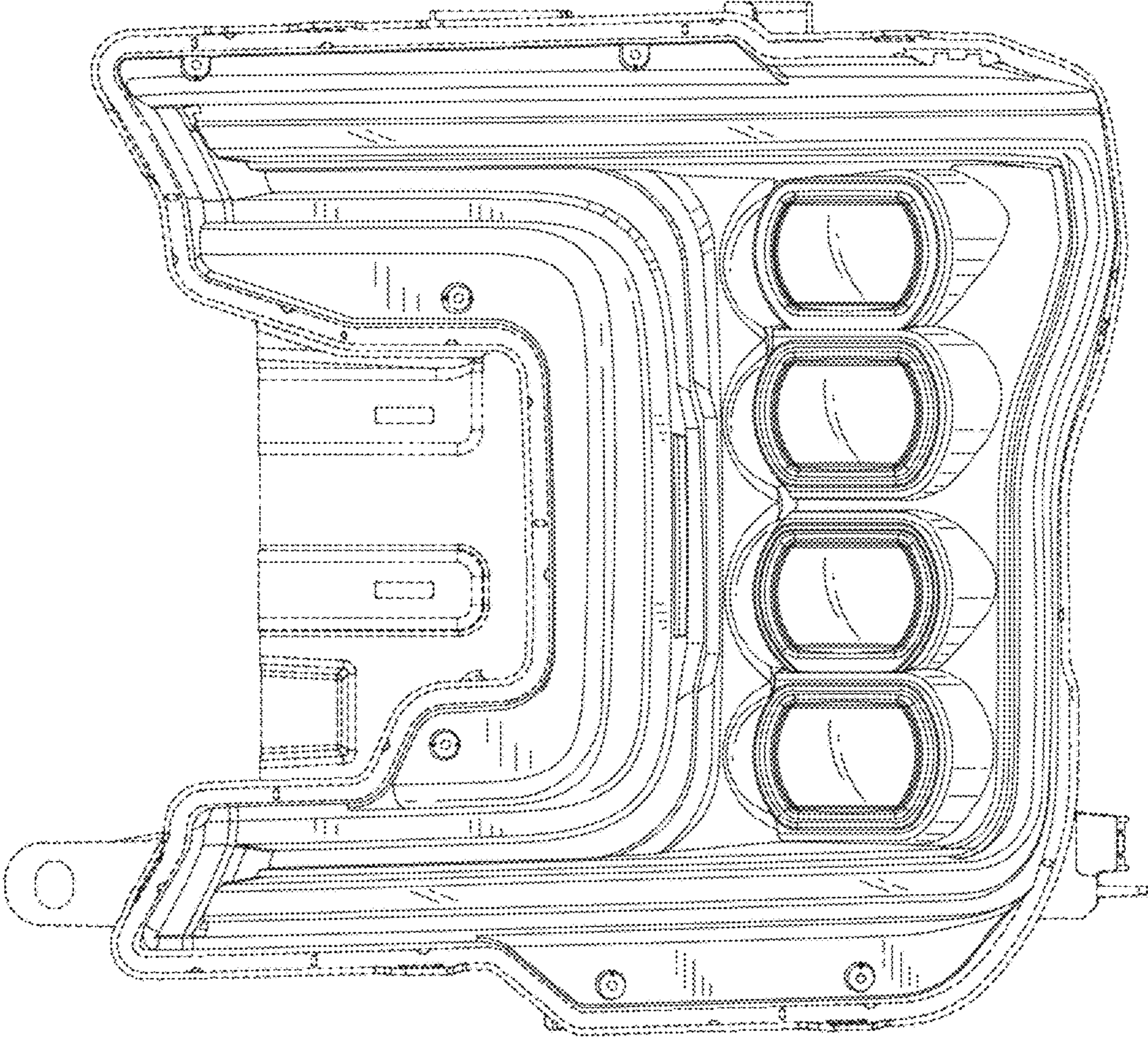
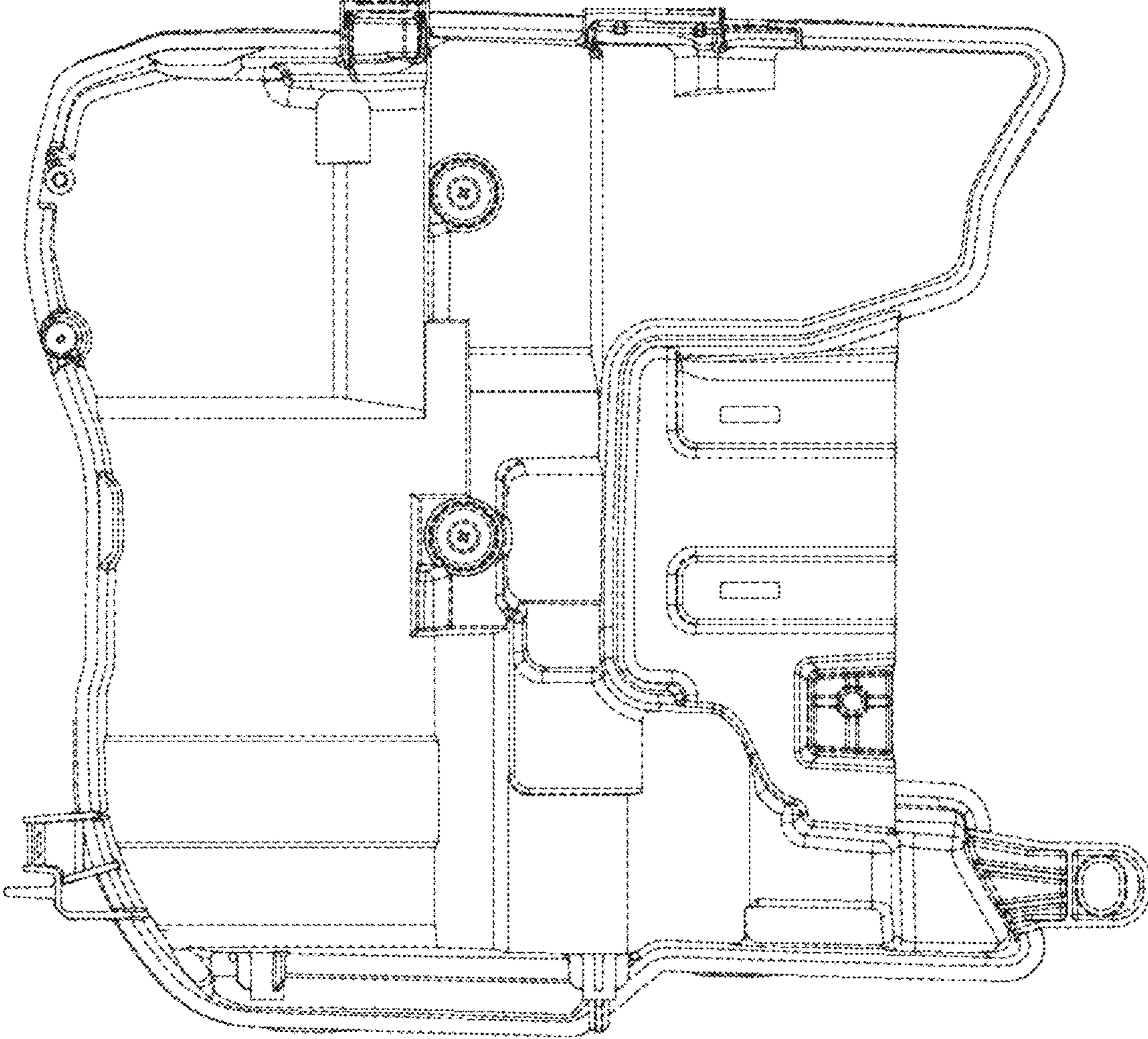


FIG. 1



**FIG. 2**



**FIG. 3**

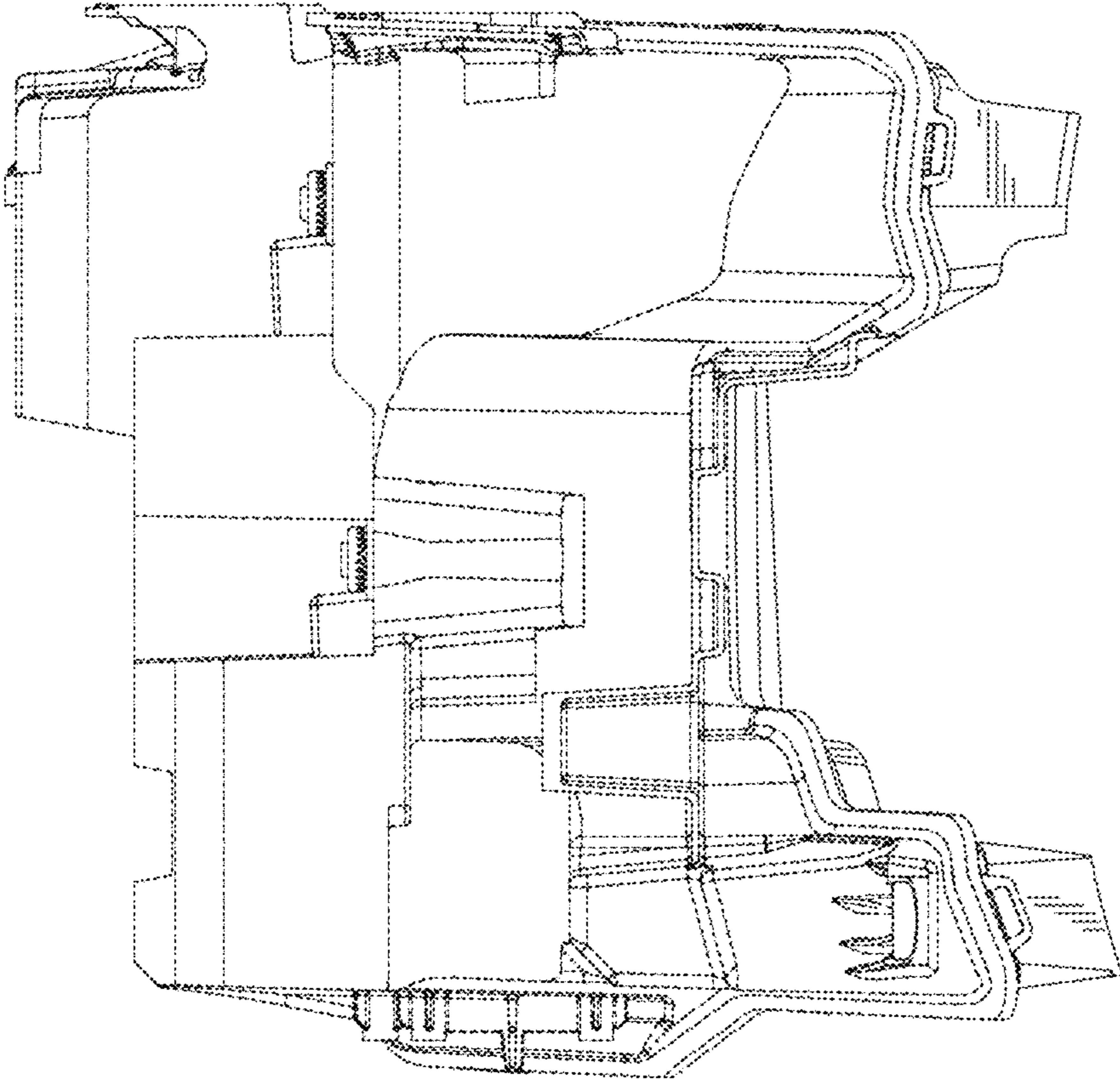
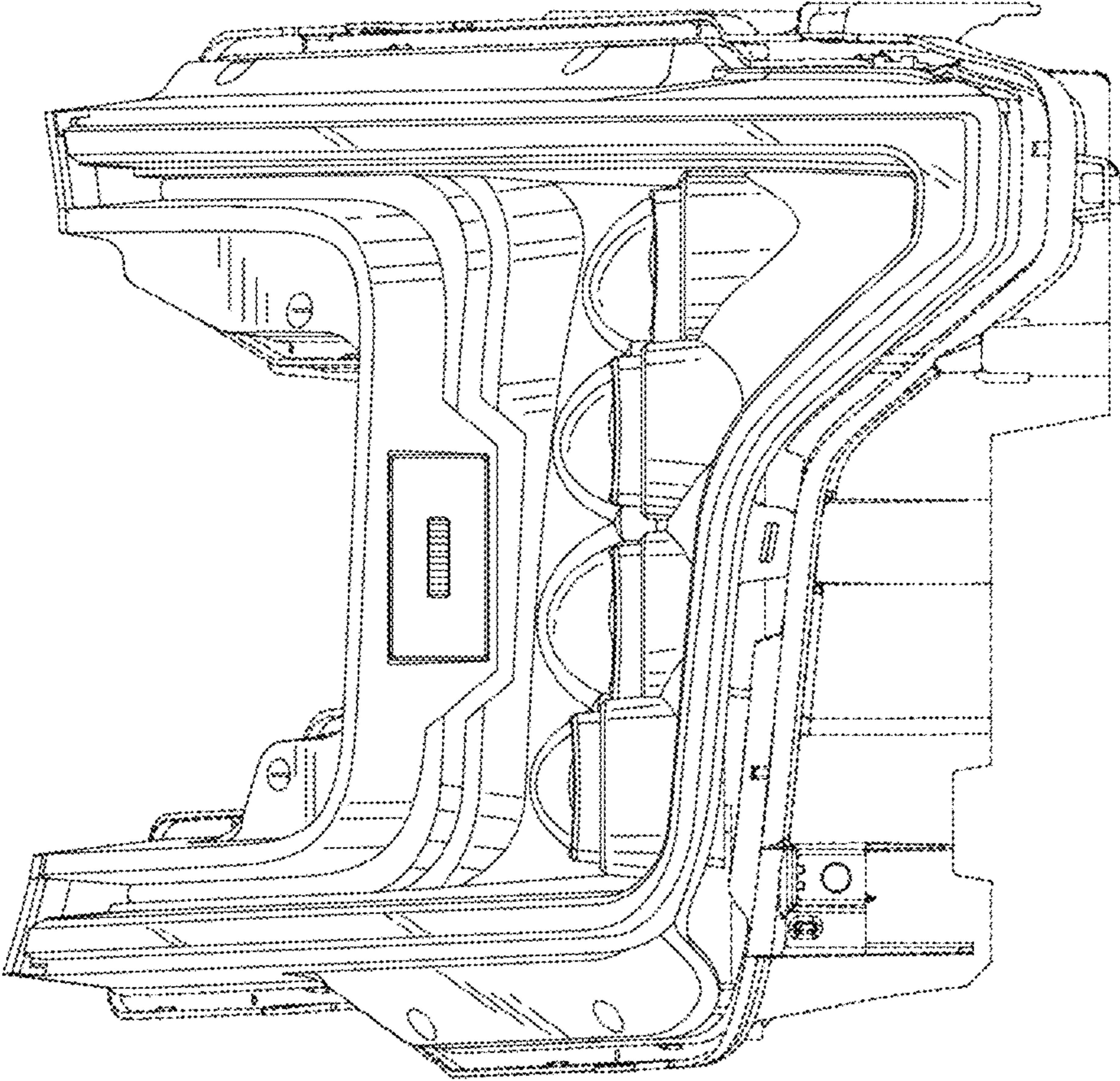
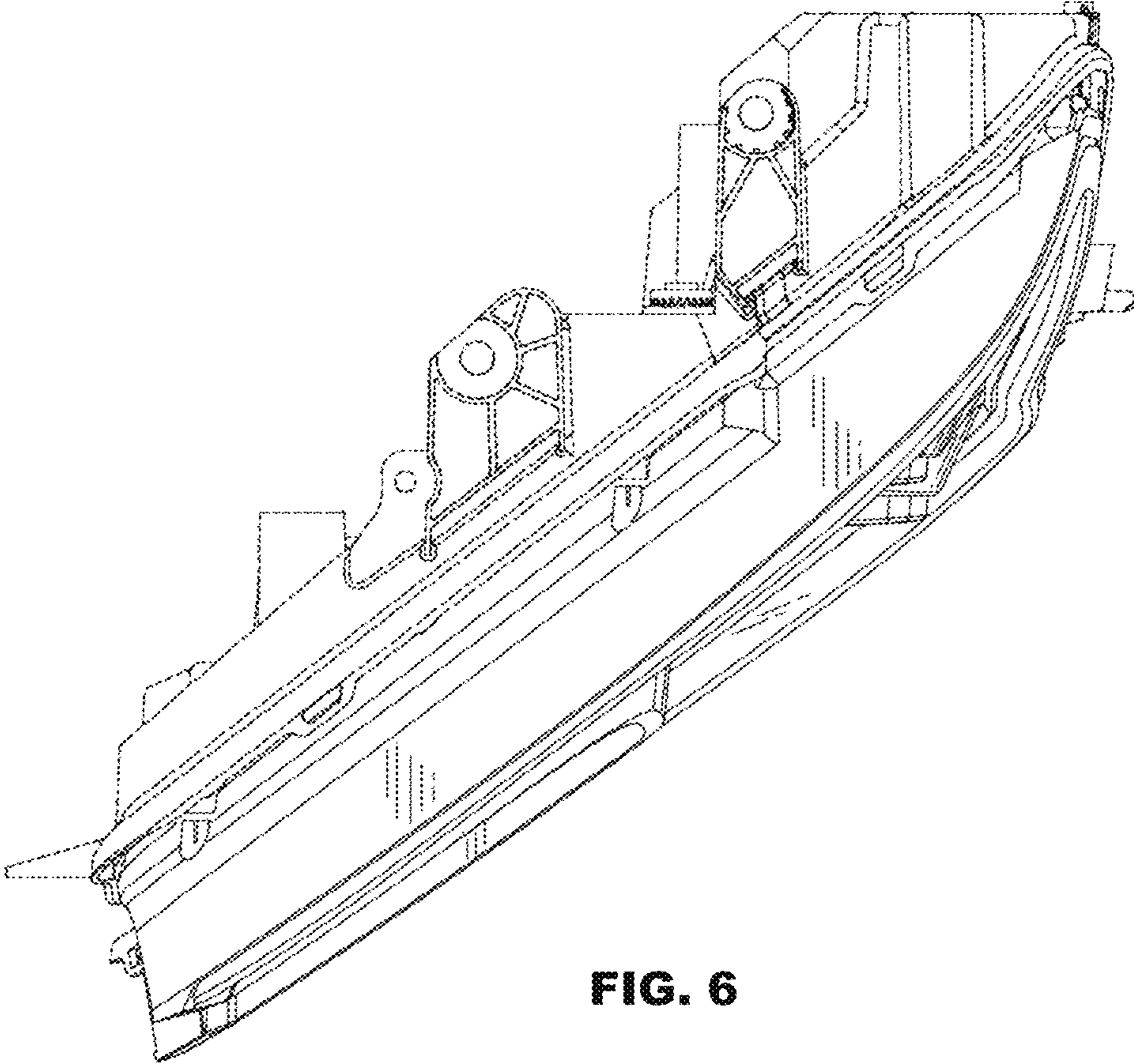


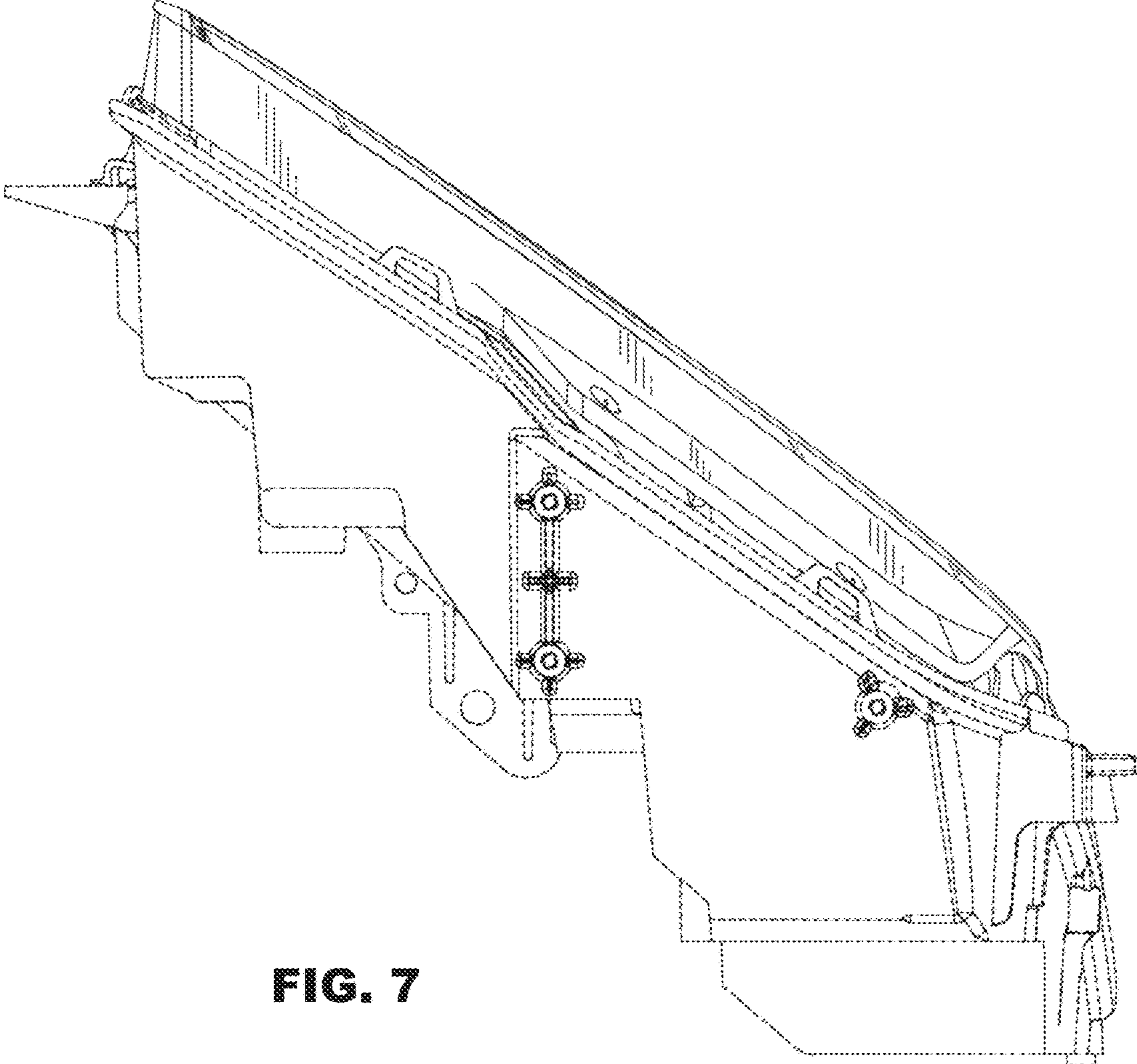
FIG. 4



**FIG. 5**



**FIG. 6**



**FIG. 7**



UNITED STATES PATENT AND TRADEMARK OFFICE  
**CERTIFICATE OF CORRECTION**

PATENT NO. : D869,022 S  
APPLICATION NO. : 29/646571  
DATED : December 3, 2019  
INVENTOR(S) : Po-Hua Wu

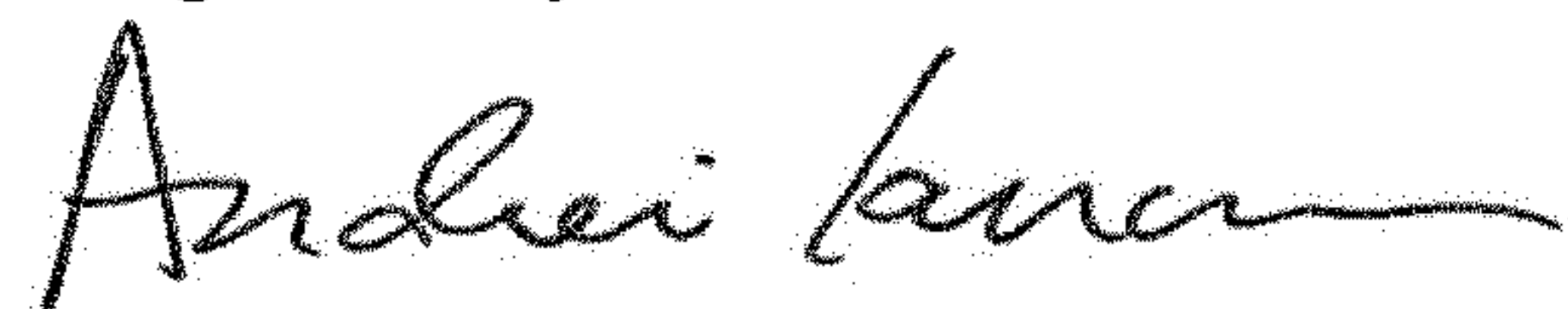
Page 1 of 1

It is certified that error appears in the above-identified patent and that said Letters Patent is hereby corrected as shown below:

On the Title Page  
Column 1

below “(22) Filed: May 4, 2018” insert -- (30) Foreign Application  
Priority Data, Nov. 15, 2017 (TW) 106306677 --

Signed and Sealed this  
Eighth Day of December, 2020



Andrei Iancu  
*Director of the United States Patent and Trademark Office*