



US00D869016S

(12) **United States Design Patent** (10) **Patent No.:** **US D869,016 S**
Hirai et al. (45) **Date of Patent:** **** Dec. 3, 2019**

(54) **FRONT PORTION FOR AN AUTOMOBILE**
(71) Applicants: **Nozomi Hirai**, Toyota (JP); **Masayuki Yamaji**, Miyoshi (JP)
(72) Inventors: **Nozomi Hirai**, Toyota (JP); **Masayuki Yamaji**, Miyoshi (JP)
(73) Assignee: **TOYOTA JIDOSHA KABUSHIKI KAISHA** (JP)
(**) Term: **15 Years**
(21) Appl. No.: **29/615,671**
(22) Filed: **Aug. 30, 2017**
(51) **LOC (12) Cl.** **26-05**
(52) **U.S. Cl.**
USPC **D26/28**
(58) **Field of Classification Search**
USPC D26/28-36
CPC F21S 48/00; F21S 48/10; F21S 48/1266;
F21S 48/1388; F21S 48/2268; F21V
21/04
See application file for complete search history.

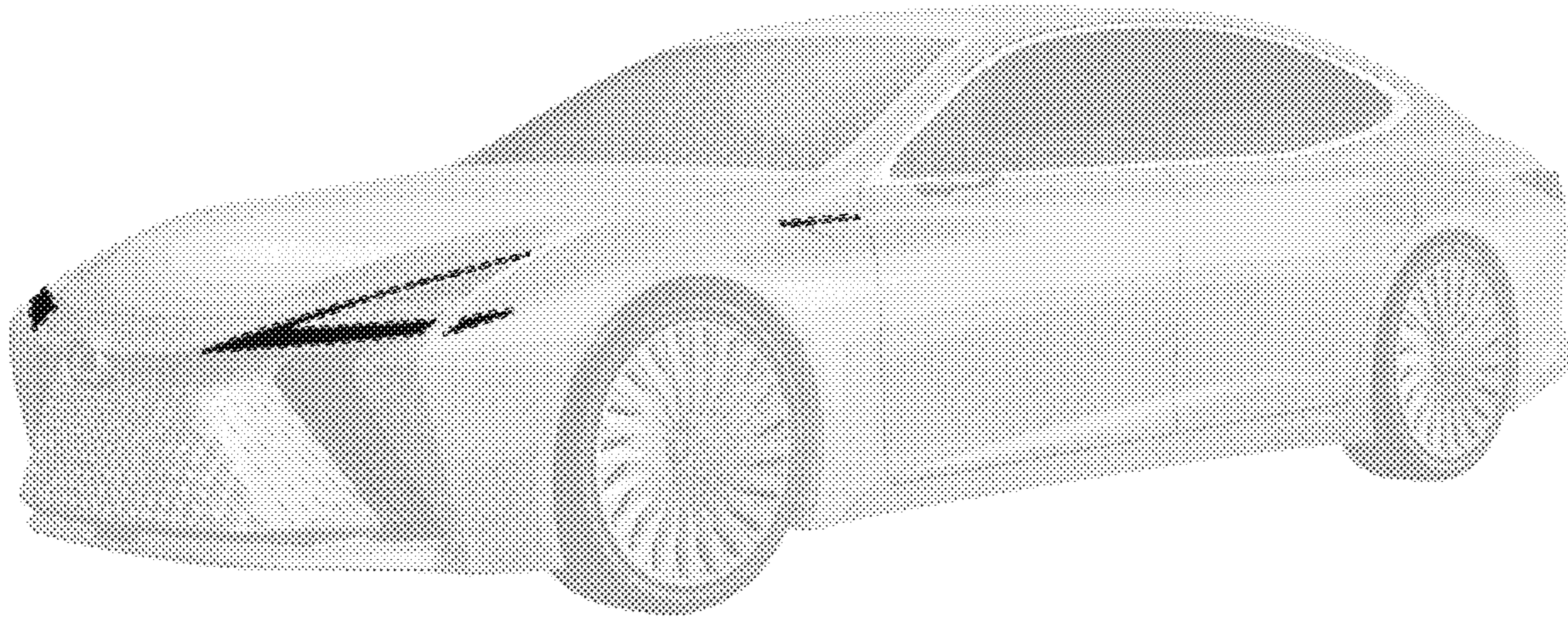
(56) **References Cited**
U.S. PATENT DOCUMENTS
D708,369 S * 7/2014 Song D26/28
D711,562 S * 8/2014 Dickman D26/28
D751,233 S * 3/2016 Wolff D26/28
D765,891 S * 9/2016 Varga D26/28
D776,838 S * 1/2017 Wu D26/28
D780,961 S * 3/2017 Curic D26/28
D791,375 S * 7/2017 Lichte D26/28
D795,472 S * 8/2017 Leutiger D26/28
D801,558 S * 10/2017 Segui D26/28
D802,183 S * 11/2017 Leutiger D26/28
D811,632 S * 2/2018 Suga D26/28
D822,243 S * 7/2018 Lee D26/28

OTHER PUBLICATIONS
Netcarshow Website, Lexus LS500 (2018), Toyota, <https://www.netcarshow.com/lexus/2018-ls_500/>, available as early as Jun. 23, 2017.
Netcarshow Website, Lexus LF-FC Concept (2015), Toyota, <https://www.netcarshow.com/lexus/2015-lf-fc_concept/>, available as early as Jun. 23, 2017.
Netcarshow Website, Lexus LF-NX Concept (2013), Toyota, <https://www.netcarshow.com/lexus/2013-lf-nx_concept/>, available as early as Jun. 23, 2017.
* cited by examiner
Primary Examiner — Mark A Goodwin
Assistant Examiner — Benjamin M Weeks
(74) *Attorney, Agent, or Firm* — Saidman DesignLaw Group, LLC

(57) **CLAIM**
The ornamental design for a front portion for an automobile, as shown and described.

DESCRIPTION
FIG. 1 is a front perspective view of a front portion for an automobile showing our new design;
FIG. 2 is a rear perspective view thereof;
FIG. 3 is a front view thereof;
FIG. 4 is a rear view thereof;
FIG. 5 is a top view thereof;
FIG. 6 is a right side view thereof; and,
FIG. 7 is a left side view thereof.
The claimed design comprises the shape and configuration of the relatively dark portions of FIGS. 1-7 surrounded by broken lines. The relatively light portions of FIGS. 1-7 found outside the broken lines form no part of the claimed design.

1 Claim, 7 Drawing Sheets



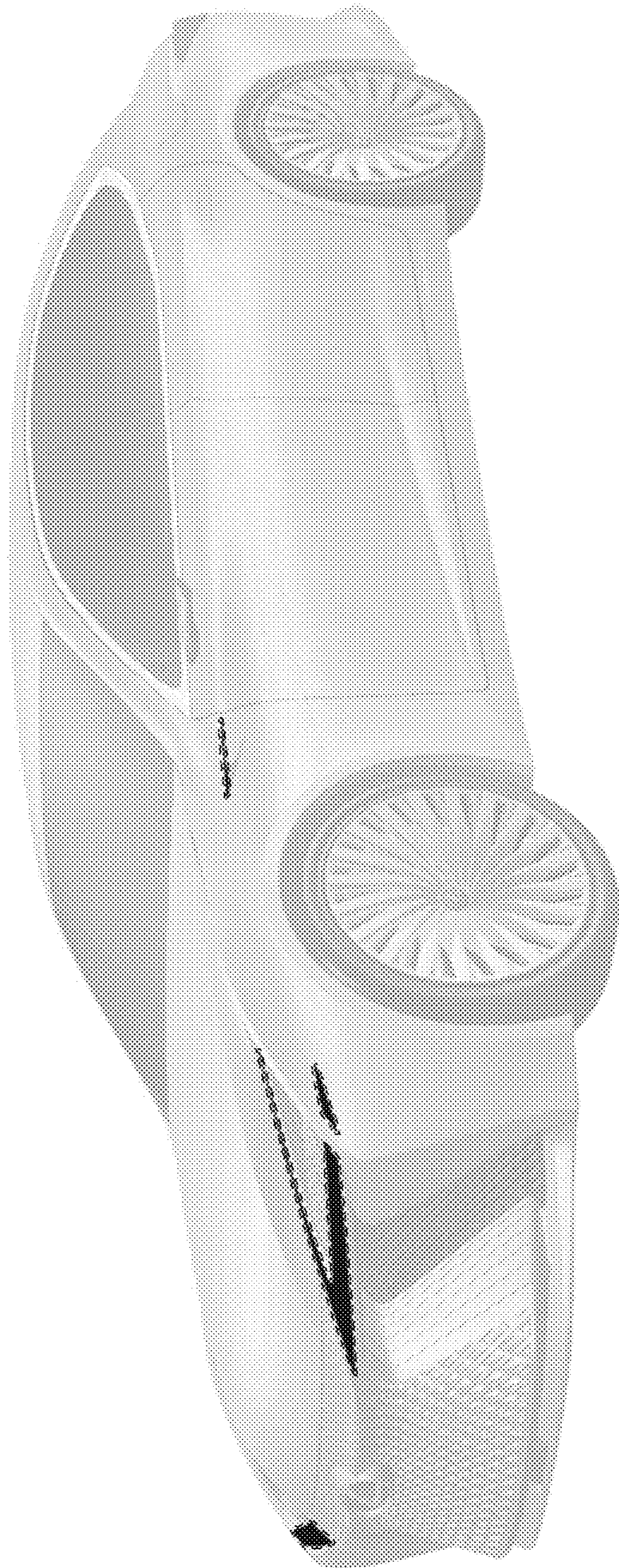


FIG. 1

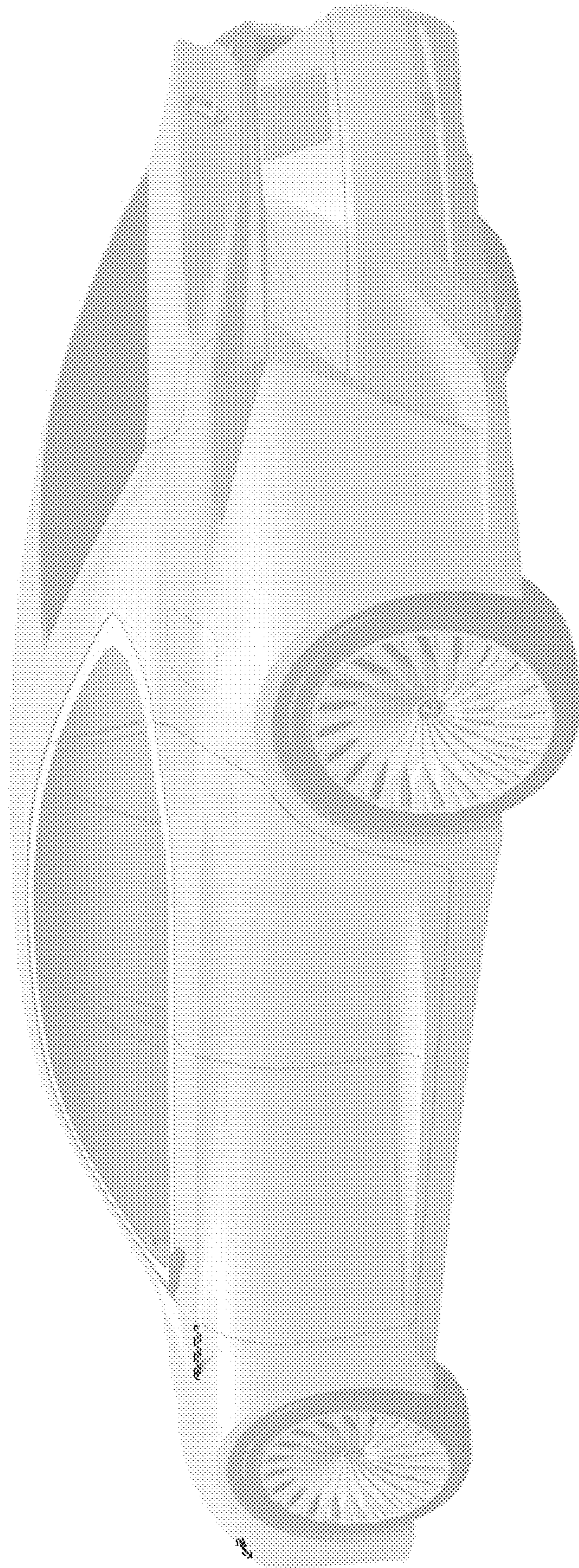


FIG. 2

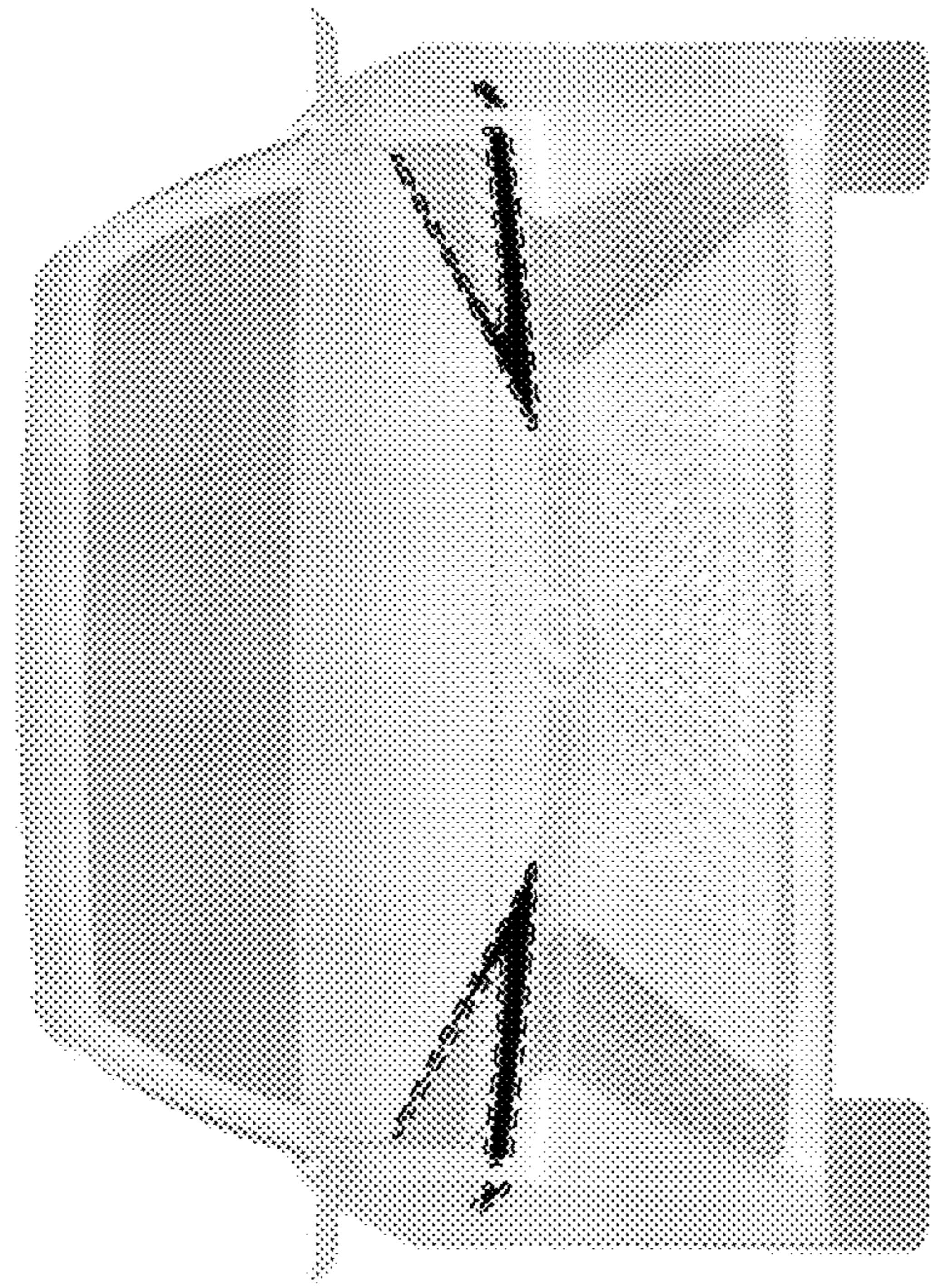


FIG. 3

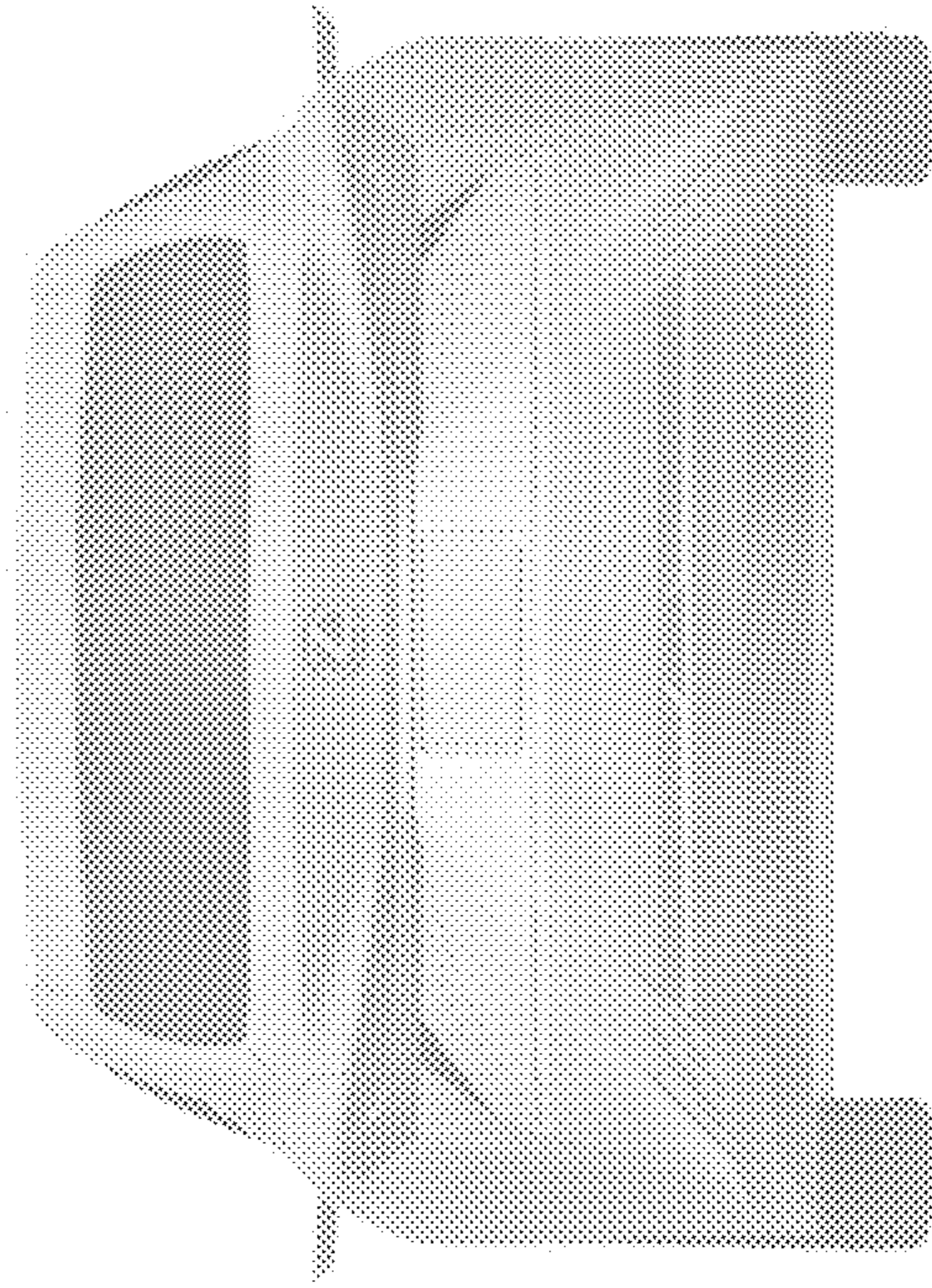


FIG. 4

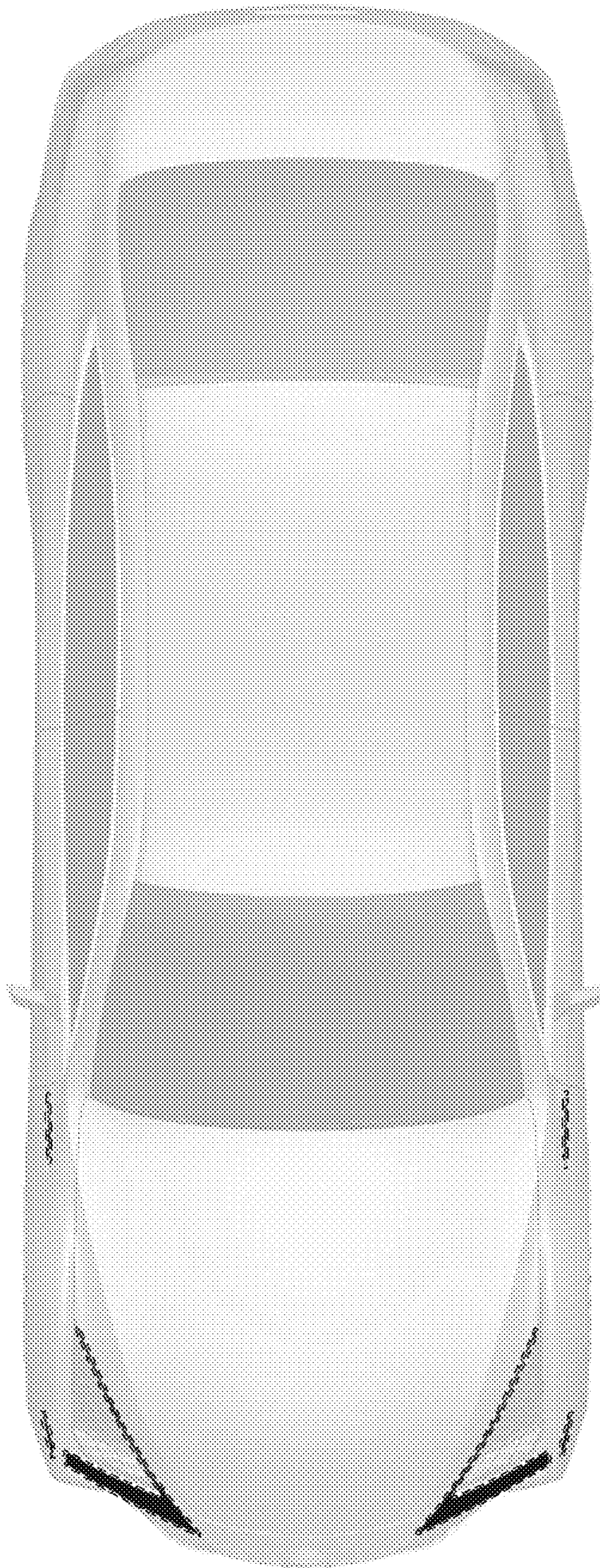


FIG. 5

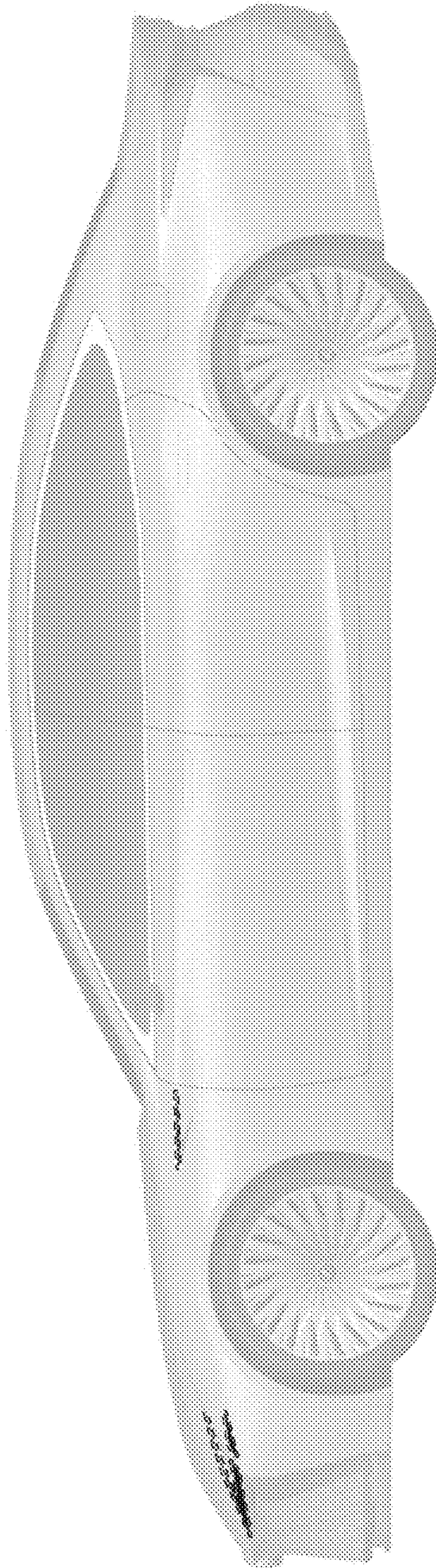


FIG. 6

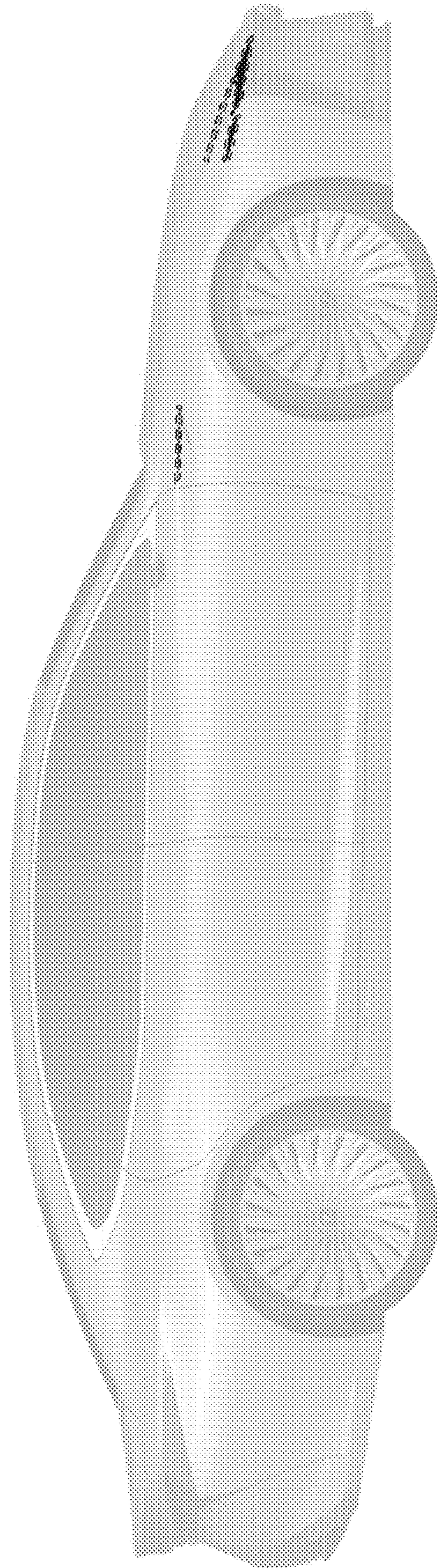


FIG. 7