

US00D869014S

(12) **United States Design Patent**
Wu

(10) **Patent No.:** **US D869,014 S**

(45) **Date of Patent:** **** *Dec. 3, 2019**

(54) **LED NIGHT LIGHT WITH DUSK TO DAWN**

(71) Applicant: **Xun Wu**, Fuzhou (CN)

(72) Inventor: **Xun Wu**, Fuzhou (CN)

(*) Notice: This patent is subject to a terminal disclaimer.

(**) Term: **15 Years**

(21) Appl. No.: **29/639,501**

(22) Filed: **Mar. 6, 2018**

(51) **LOC (12) Cl.** **26-05**

(52) **U.S. Cl.**
USPC **D26/26**

(58) **Field of Classification Search**
USPC D26/26, 24, 113, 118, 119, 120;
D23/366, 367, 369; 362/640, 641, 642,
362/643, 644, 650, 651, 652, 653, 659
CPC F21S 8/035; F21V 23/06; F21V 23/0442;
F21W 2121/00; H01R 2103/00
See application file for complete search history.

(56) **References Cited**

U.S. PATENT DOCUMENTS

D352,564 S * 11/1994 Marischen D26/26
D376,214 S * 12/1996 Pinchuk D26/26
D376,436 S * 12/1996 Emmerling D26/26

D377,535 S * 1/1997 Shulman D26/26
5,662,408 A * 9/1997 Marischen F21S 8/035
362/253
D392,756 S * 3/1998 Hanig D26/26
D403,442 S * 12/1998 Joss D26/26
D435,124 S * 12/2000 Yuen D26/26
D505,876 S * 6/2005 Kaczmarek D10/104.1
D524,461 S * 7/2006 Molenaar D26/26
D526,422 S * 8/2006 Yuen D26/26
D533,956 S * 12/2006 Vladika D26/118
D821,615 S * 6/2018 Trice D26/26

* cited by examiner

Primary Examiner — Angela J Lee

(74) *Attorney, Agent, or Firm* — Erson IP (Nelson IP)

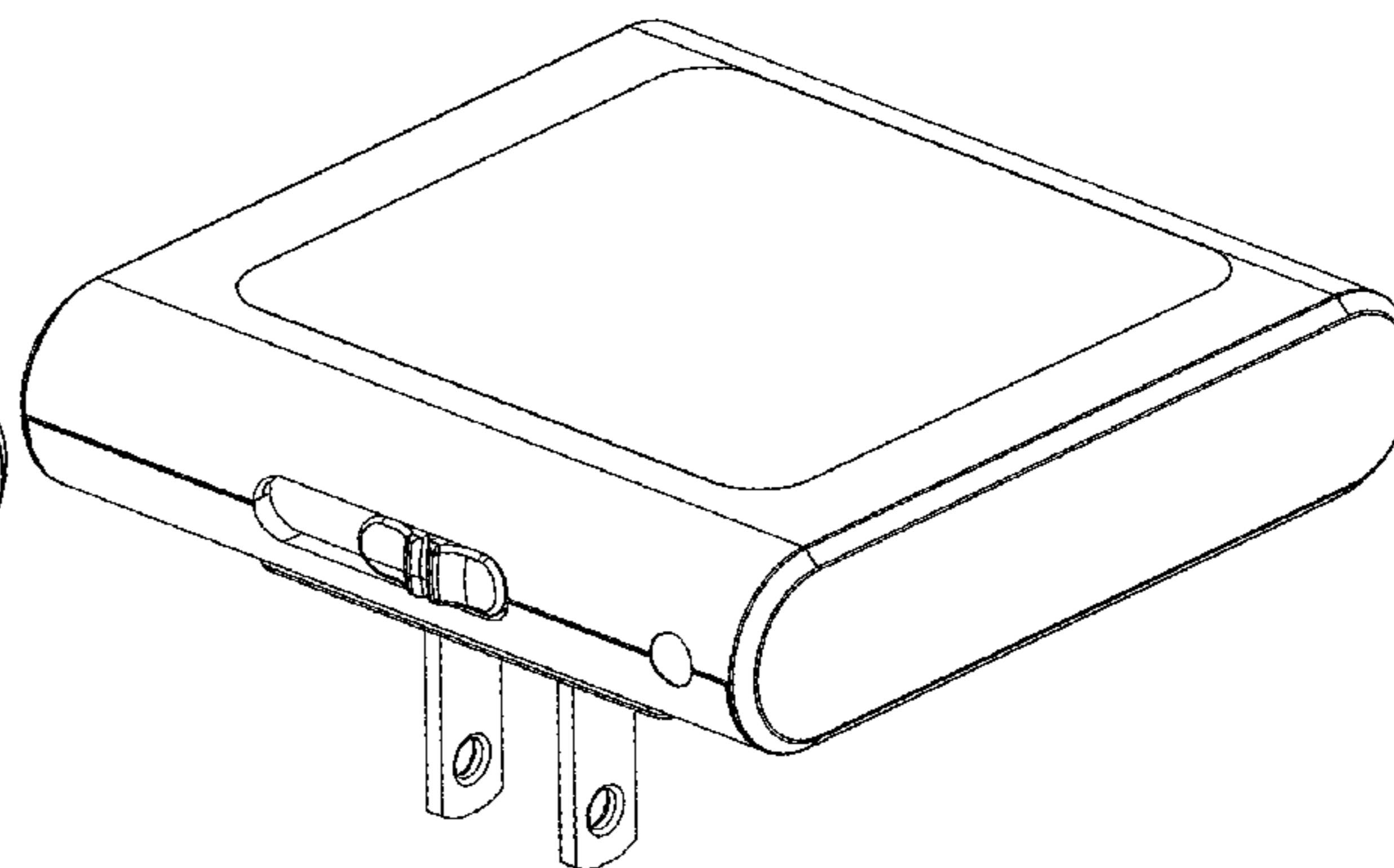
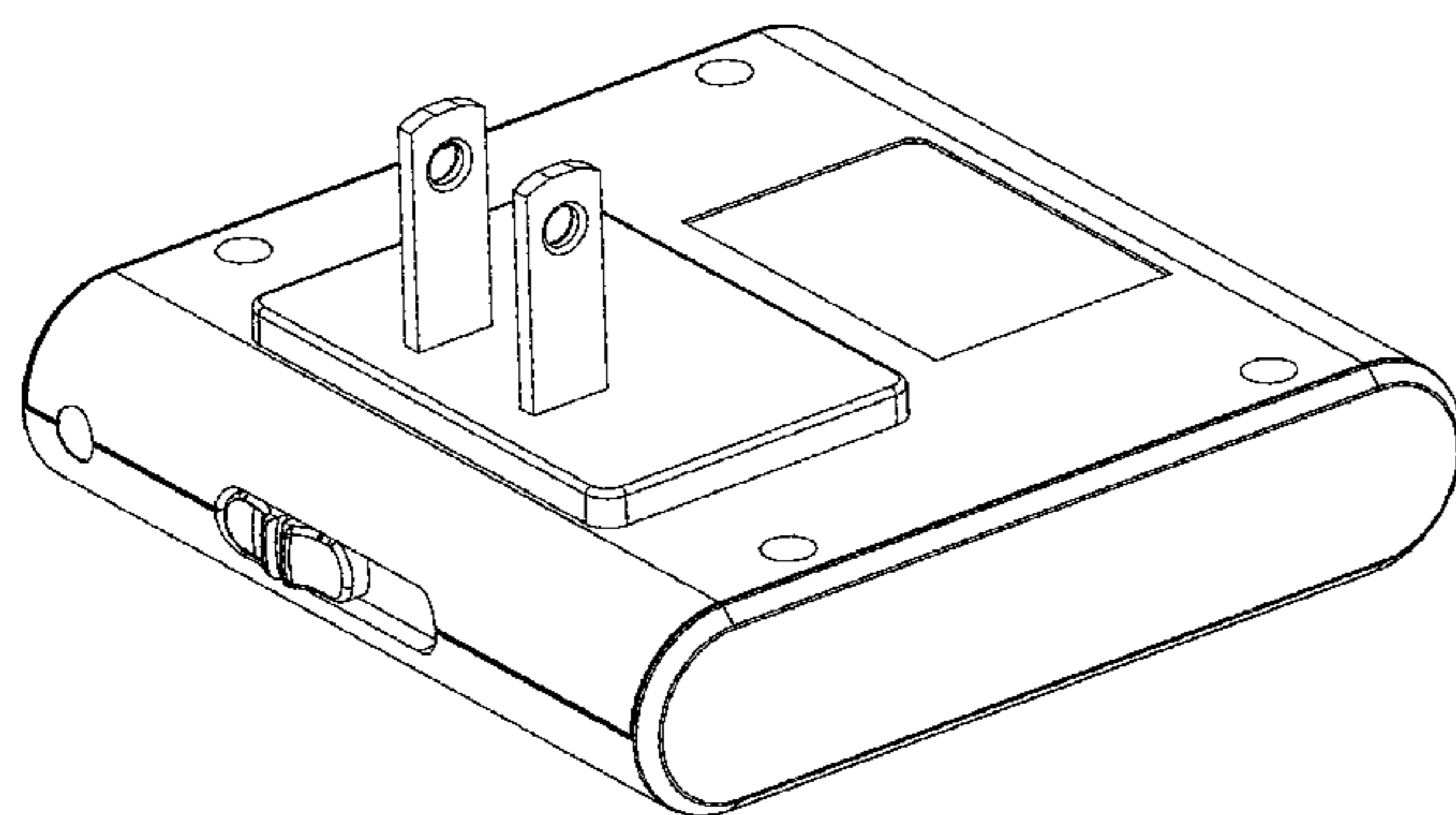
(57) **CLAIM**

The ornamental design for an LED night light with dusk to dawn, as shown and described.

DESCRIPTION

FIG. 1 is a perspective view showing my design;
FIG. 2 is another perspective view showing my design;
FIG. 3 is a front view showing my design;
FIG. 4 is a back view showing my design;
FIG. 5 is a left side view showing my design;
FIG. 6 is a right side view showing my design;
FIG. 7 is a top plan view showing my design; and,
FIG. 8 is a bottom plan view showing my design.

1 Claim, 8 Drawing Sheets



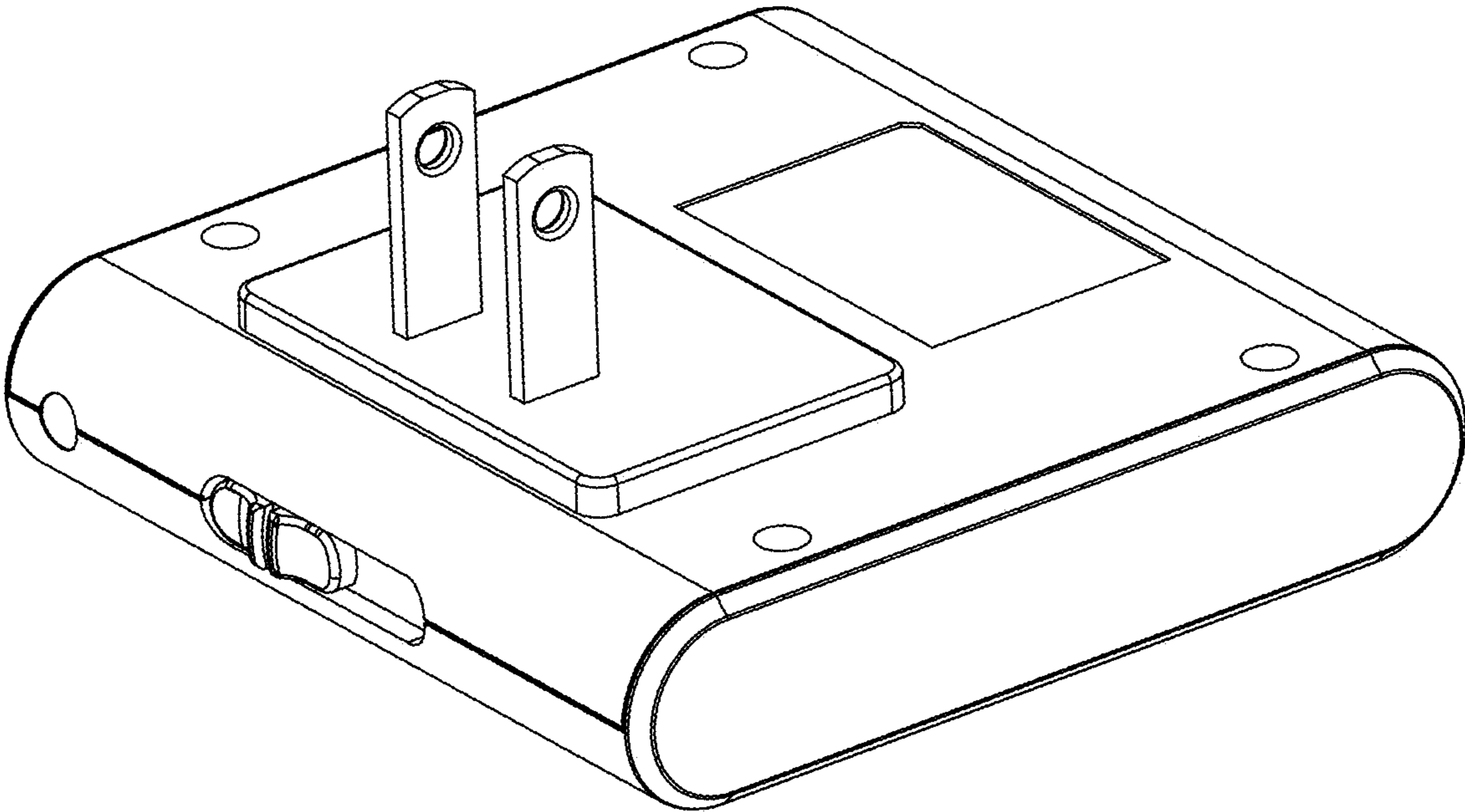


FIG. 1

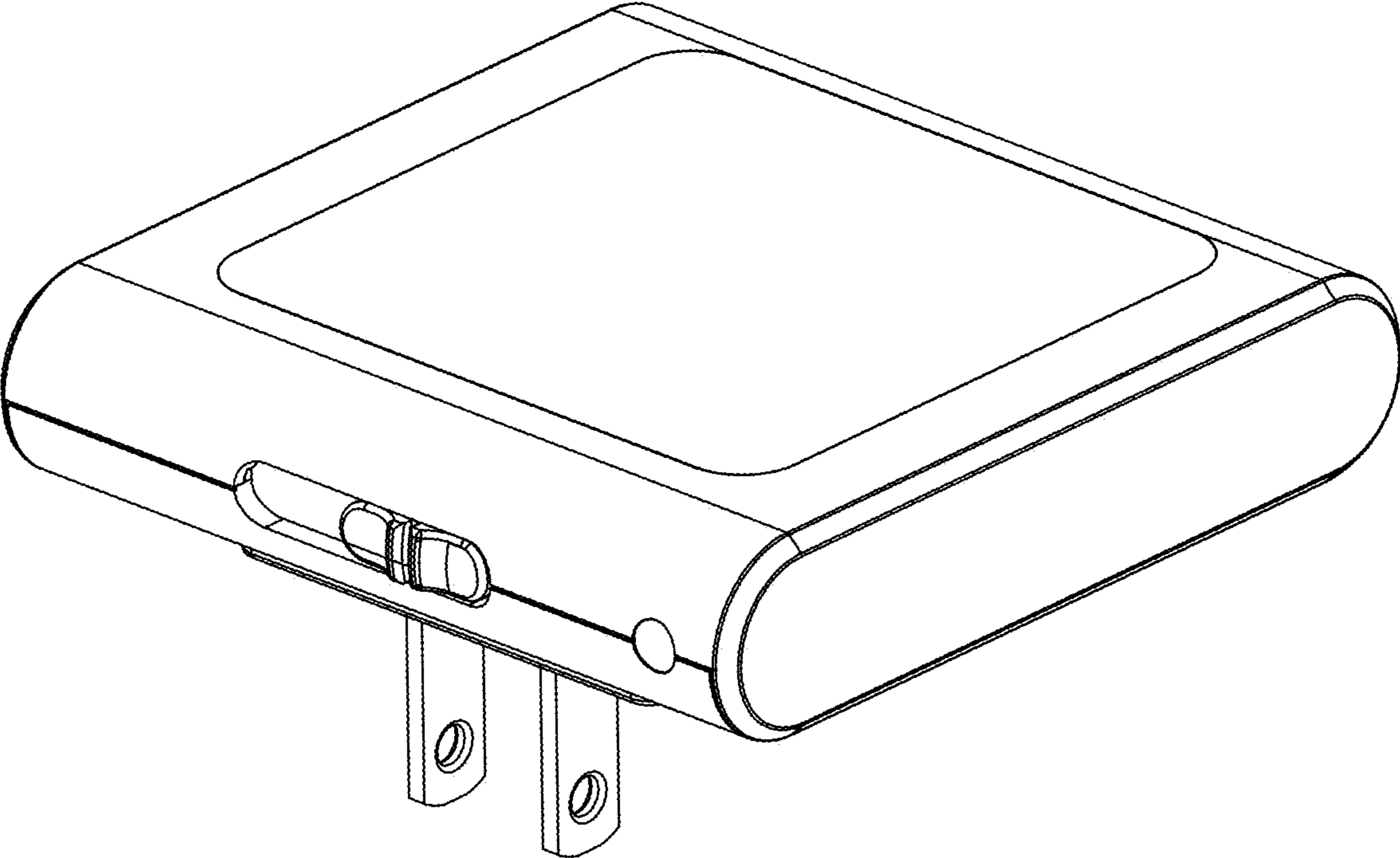


FIG.2

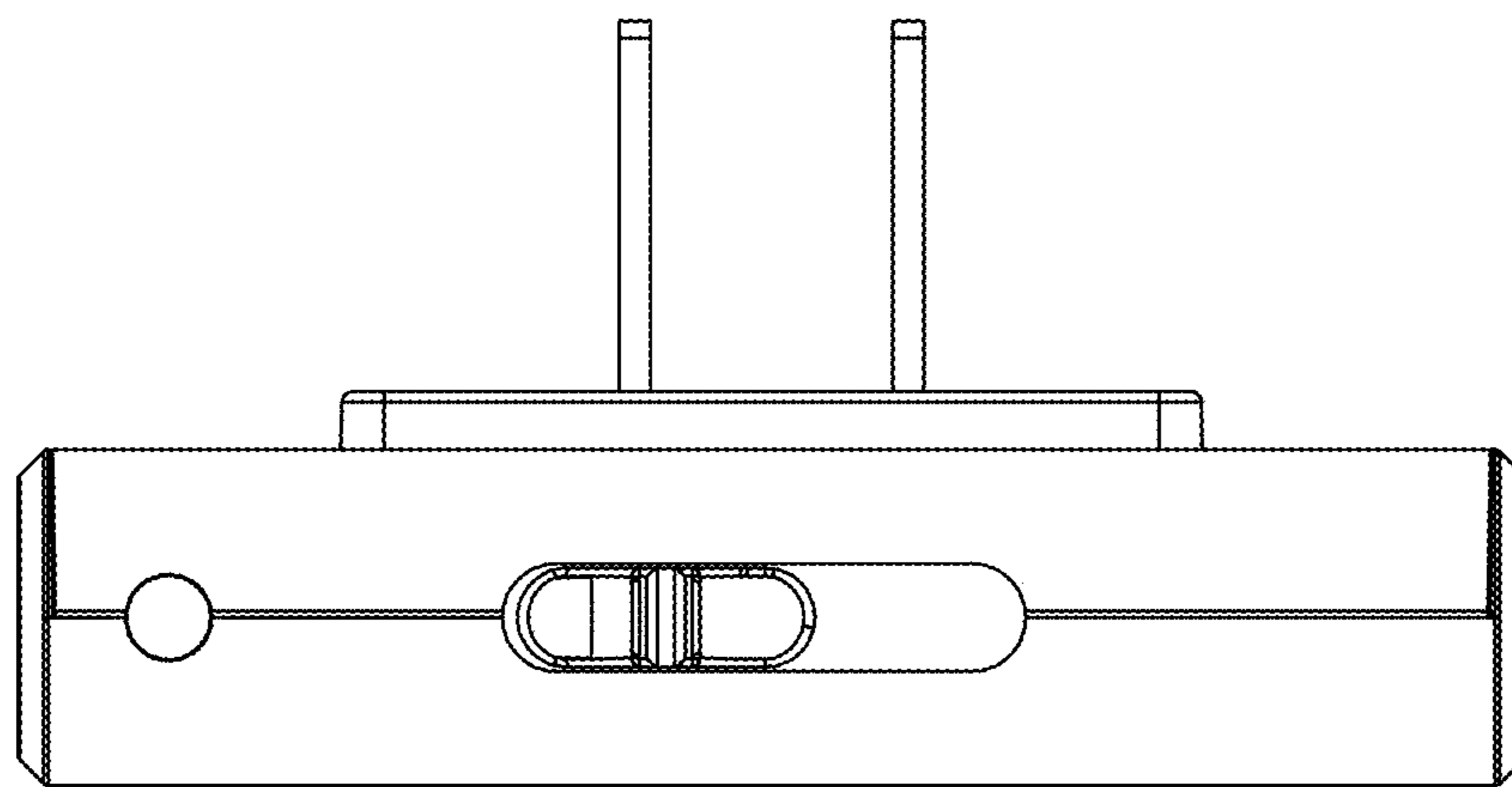


FIG. 3

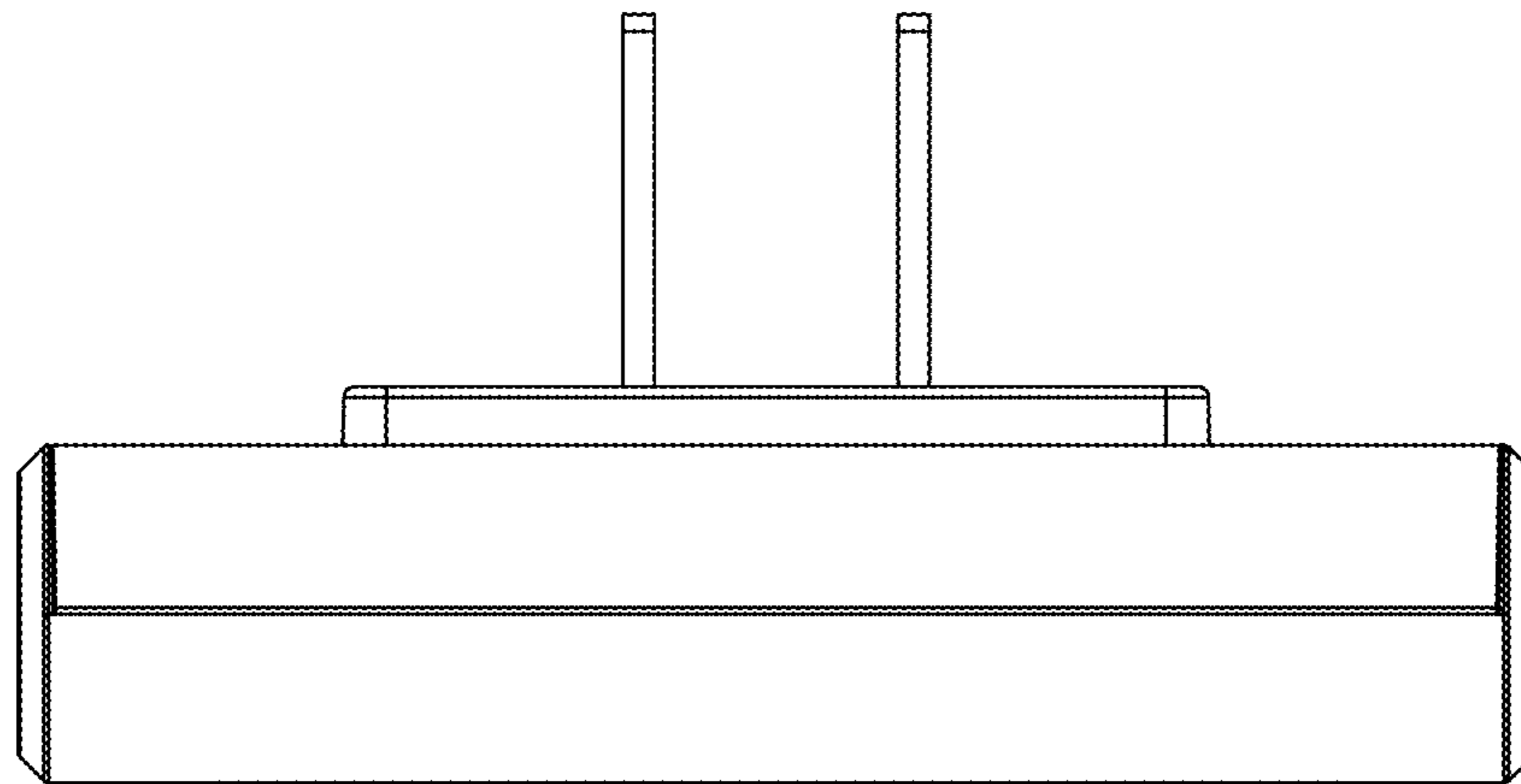


FIG.4

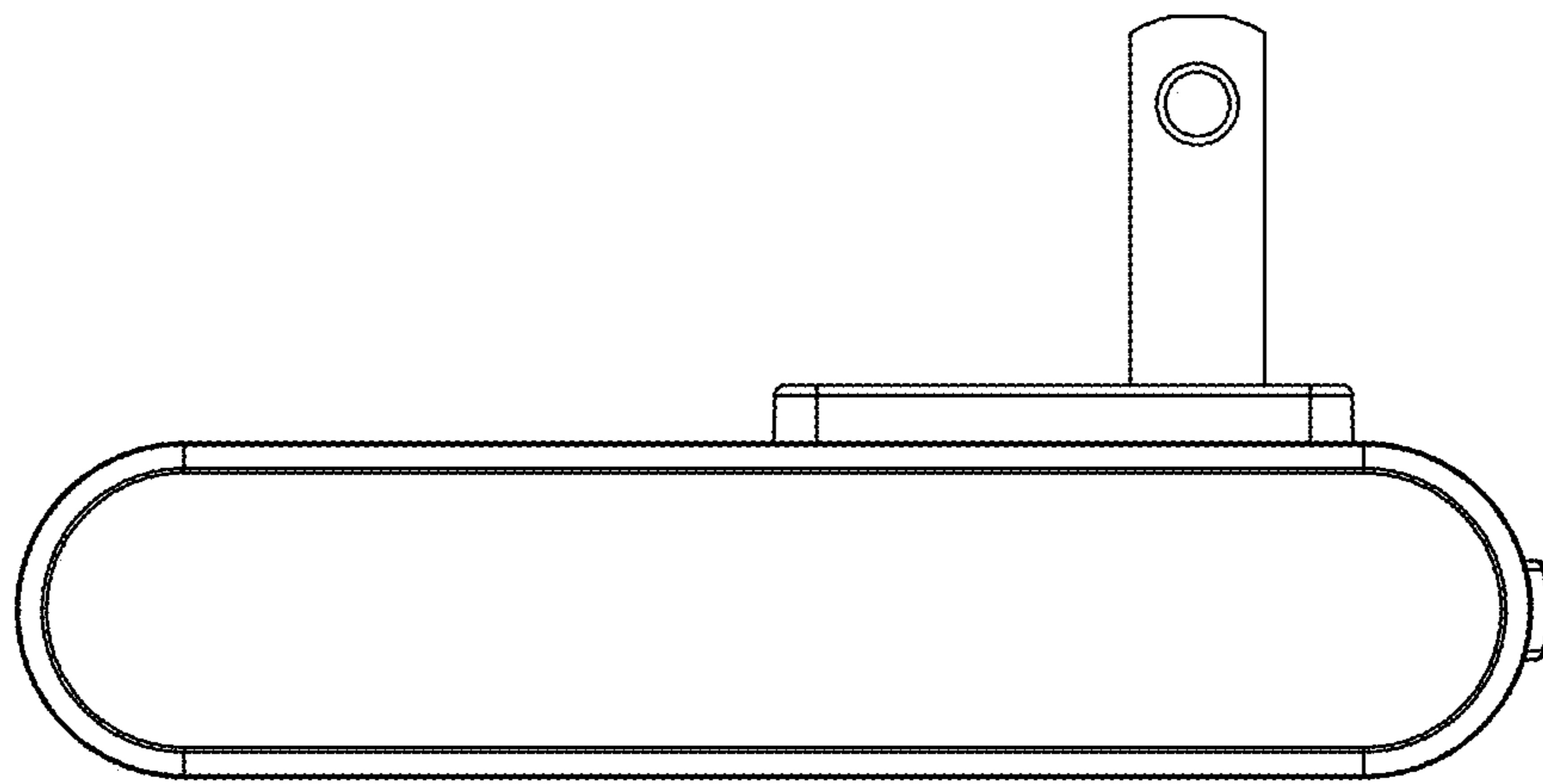


FIG. 5

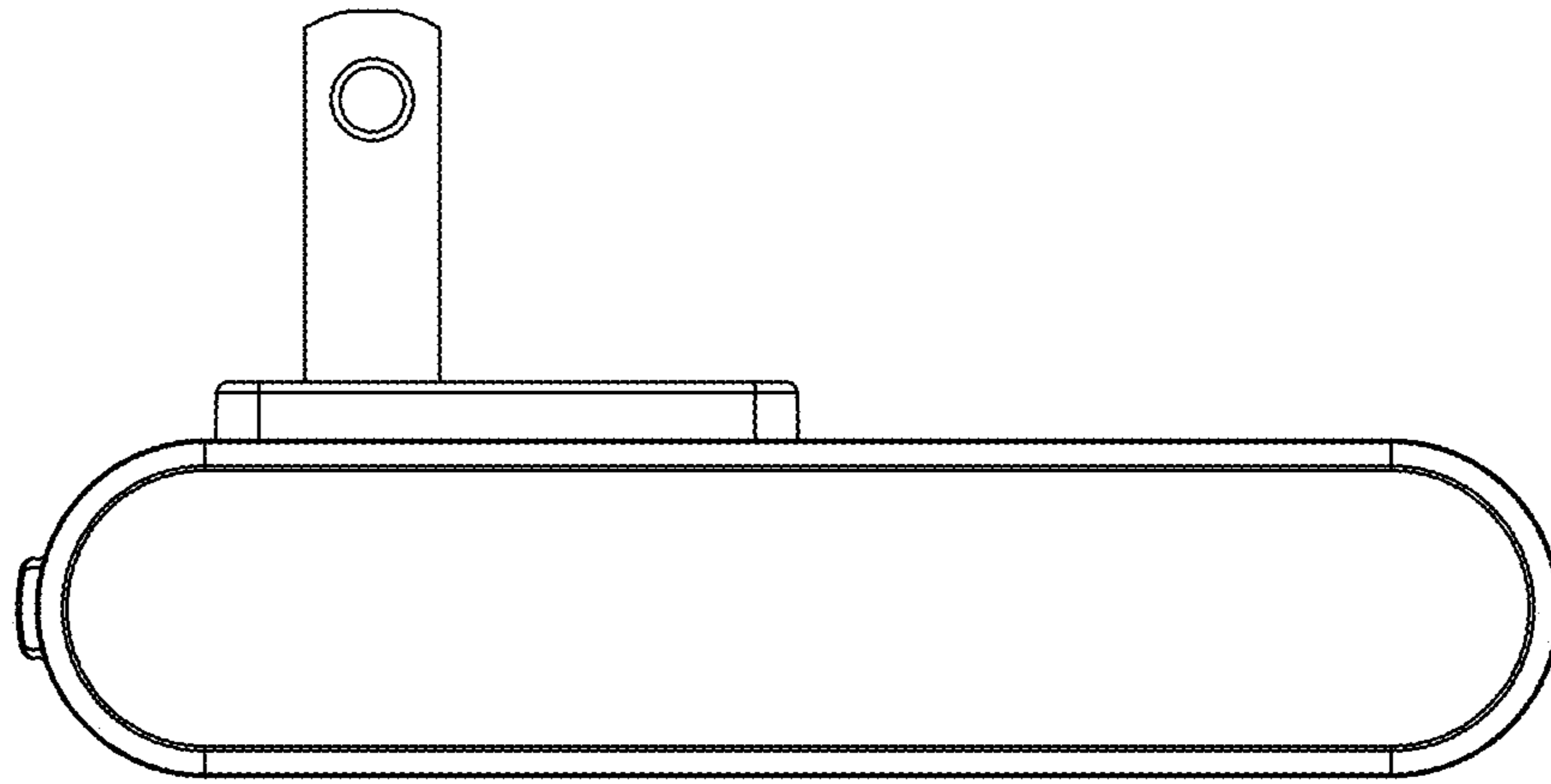


FIG.6

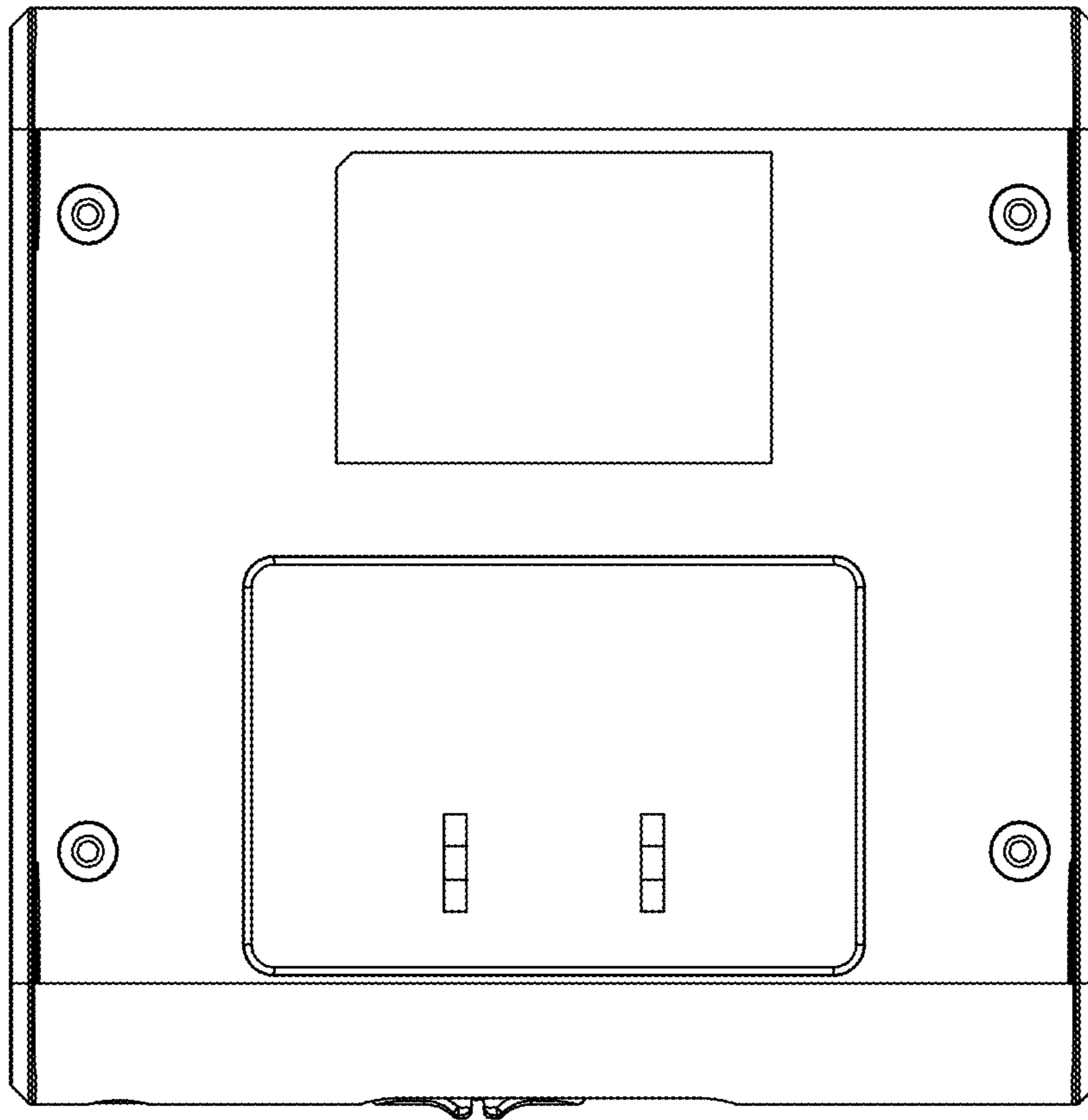


FIG.7

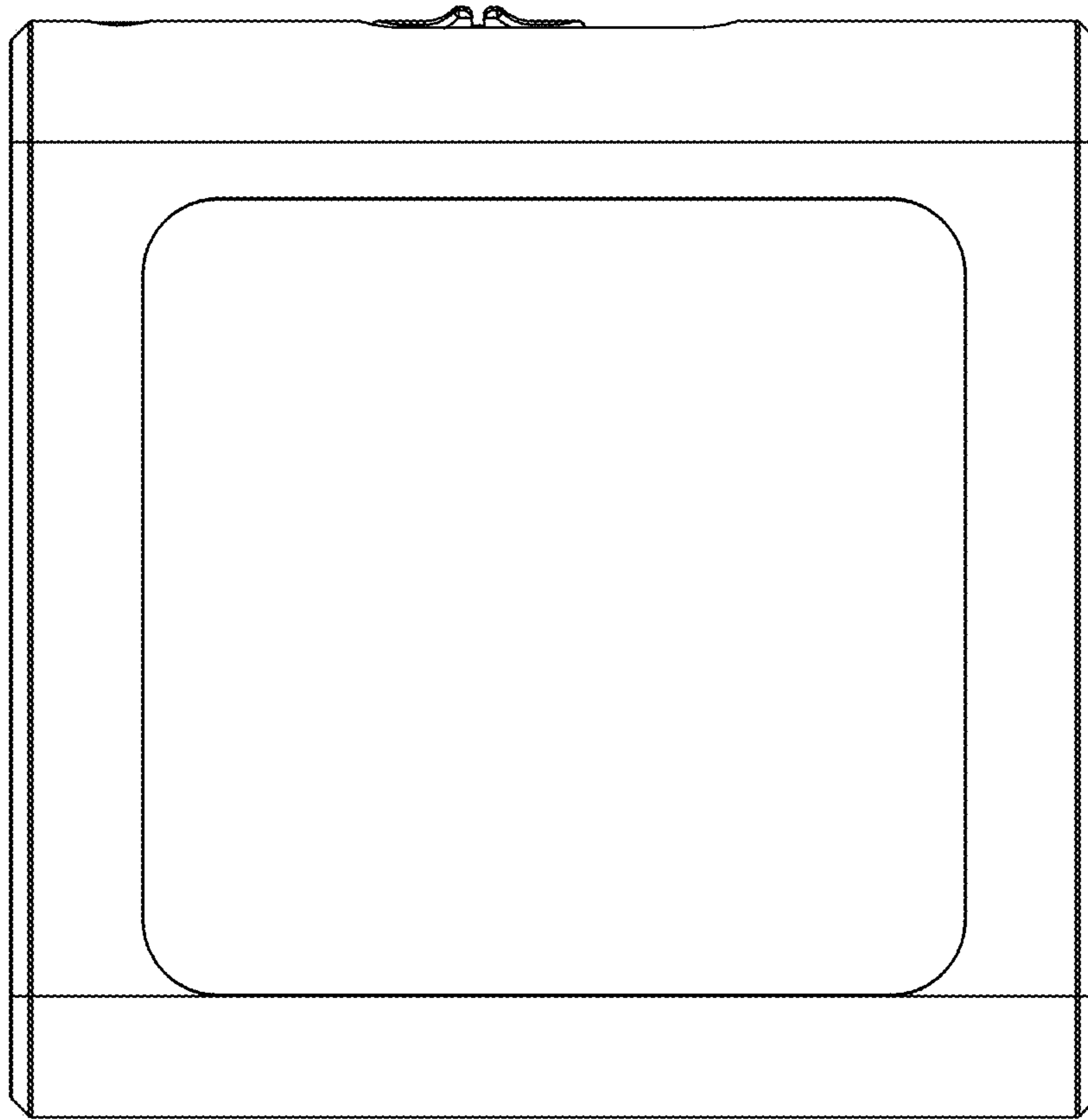


FIG.8