



US00D869009S

(12) **United States Design Patent** (10) **Patent No.:** **US D869,009 S**
Garber (45) **Date of Patent:** **** Dec. 3, 2019**

(54) **MINIATURE LED BULB**
(71) Applicant: **EmeryAllen, LLC**, Mt. Pleasant, SC (US)
(72) Inventor: **Thomas Garber**, Charleston, SC (US)
(73) Assignee: **EmeryAllen, LLC**, Mt. Pleasant, SC (US)
(**) Term: **15 Years**

D426,899 S	6/2000	Au Yeng	
D530,836 S *	10/2006	Johnson	D26/2
D543,644 S	5/2007	Bembridge	
D545,457 S *	6/2007	Chen	D26/2
D551,784 S *	9/2007	Krieglmeyer	D26/2
D572,385 S *	7/2008	Mazzochette	D26/2
D597,225 S *	7/2009	Yoo	D26/2
D689,219 S	9/2013	Zhang	
D768,889 S	10/2016	Bergmann et al.	
D768,890 S	10/2016	Pan	
D771,283 S	11/2016	Ke et al.	
D774,216 S *	12/2016	Zhu	D26/2

* cited by examiner

(21) Appl. No.: **29/665,222**
(22) Filed: **Oct. 1, 2018**
(51) **LOC (12) Cl.** **26-04**
(52) **U.S. Cl.**
USPC **D26/2**
(58) **Field of Classification Search**
USPC D26/1-4
CPC H01R 5/00; H01R 13/46; H01R 13/514;
H01R 31/048; H01R 31/02; H01J 5/00;
H01J 5/16; H01J 1/02; H01J 15/00; H01J
5/48; H01J 5/50; H01J 19/54; F21V 5/00;
F21K 9/00; F21K 29/004
See application file for complete search history.

Primary Examiner — Marcus A Jackson
(74) *Attorney, Agent, or Firm* — Gregory Finch; Finch
Paolino, LLC

(57) **CLAIM**

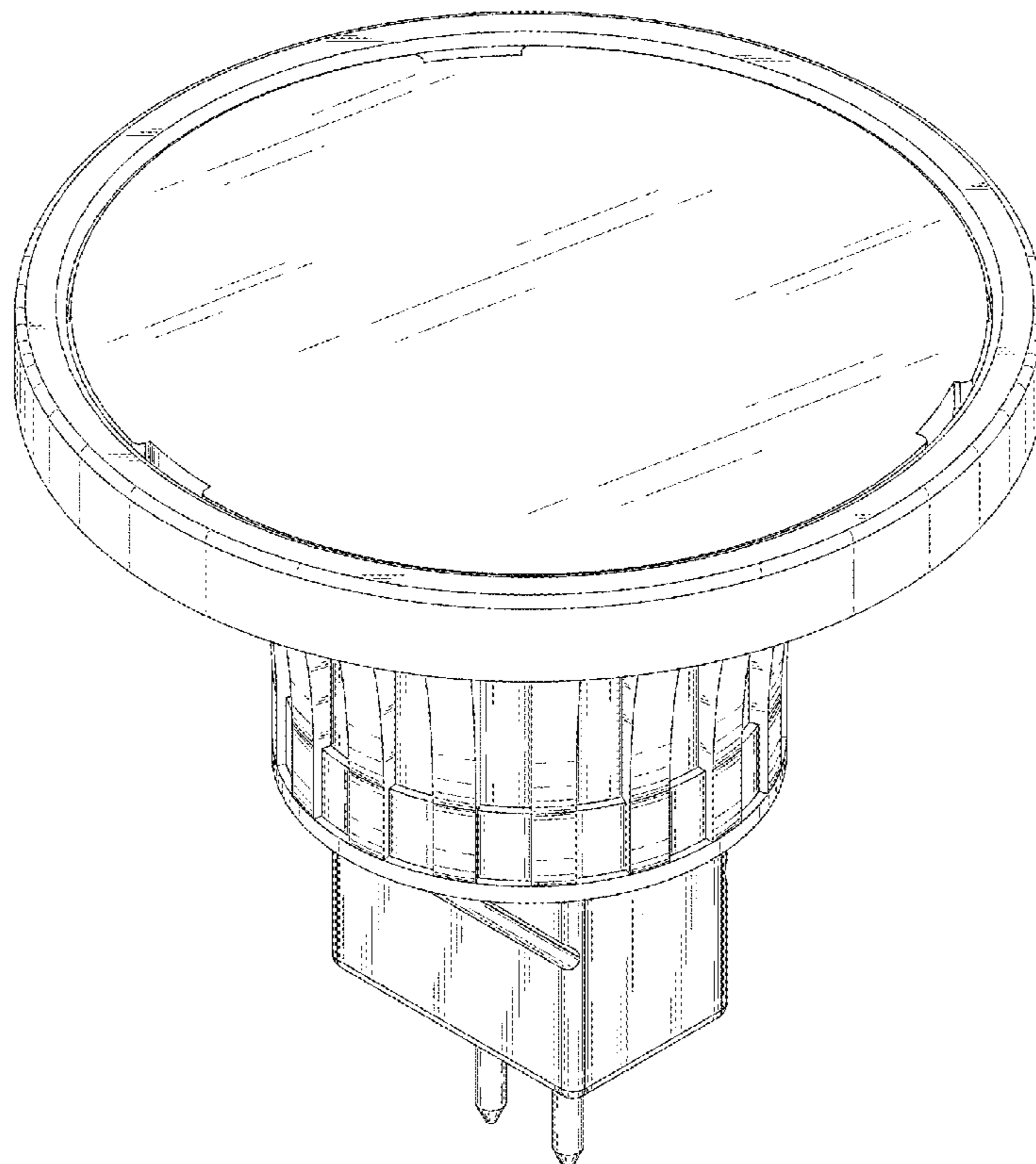
The design for a miniature LED bulb, as shown and described.

DESCRIPTION

FIG. 1 is an isometric view of the claimed miniature LED bulb, embodying the present design;
FIG. 2 is an alternative isometric view thereof;
FIG. 3 is a front view thereof;
FIG. 4 is a rear view thereof;
FIG. 5 is a left side view thereof;
FIG. 6 is a right side view thereof;
FIG. 7 is a top down plan view thereof; and,
FIG. 8 is a bottom up plan view thereof.

(56) **References Cited**
U.S. PATENT DOCUMENTS
D392,057 S 3/1998 Chen
D405,201 S 2/1999 Lodhie

1 Claim, 8 Drawing Sheets



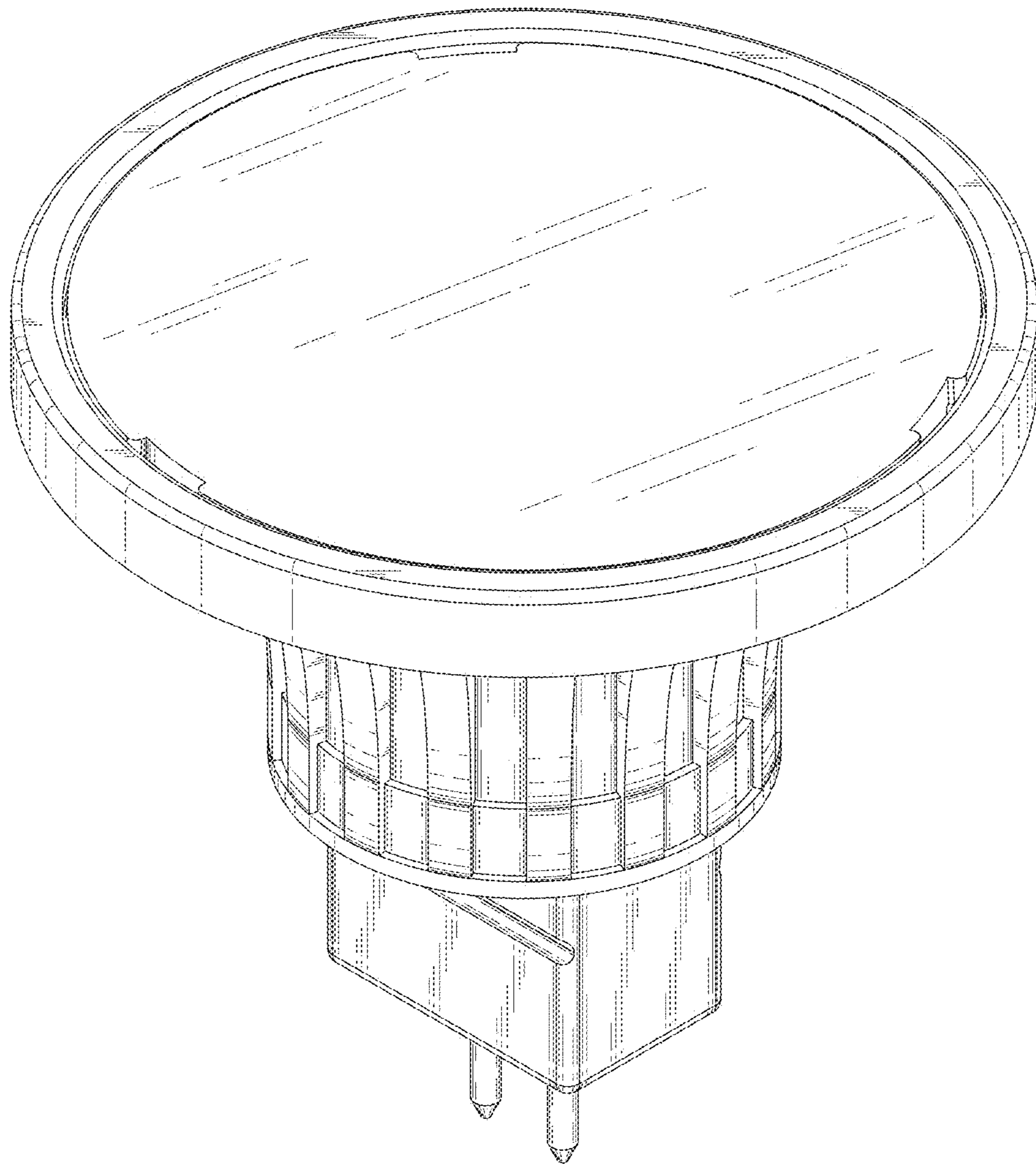


FIG. 1

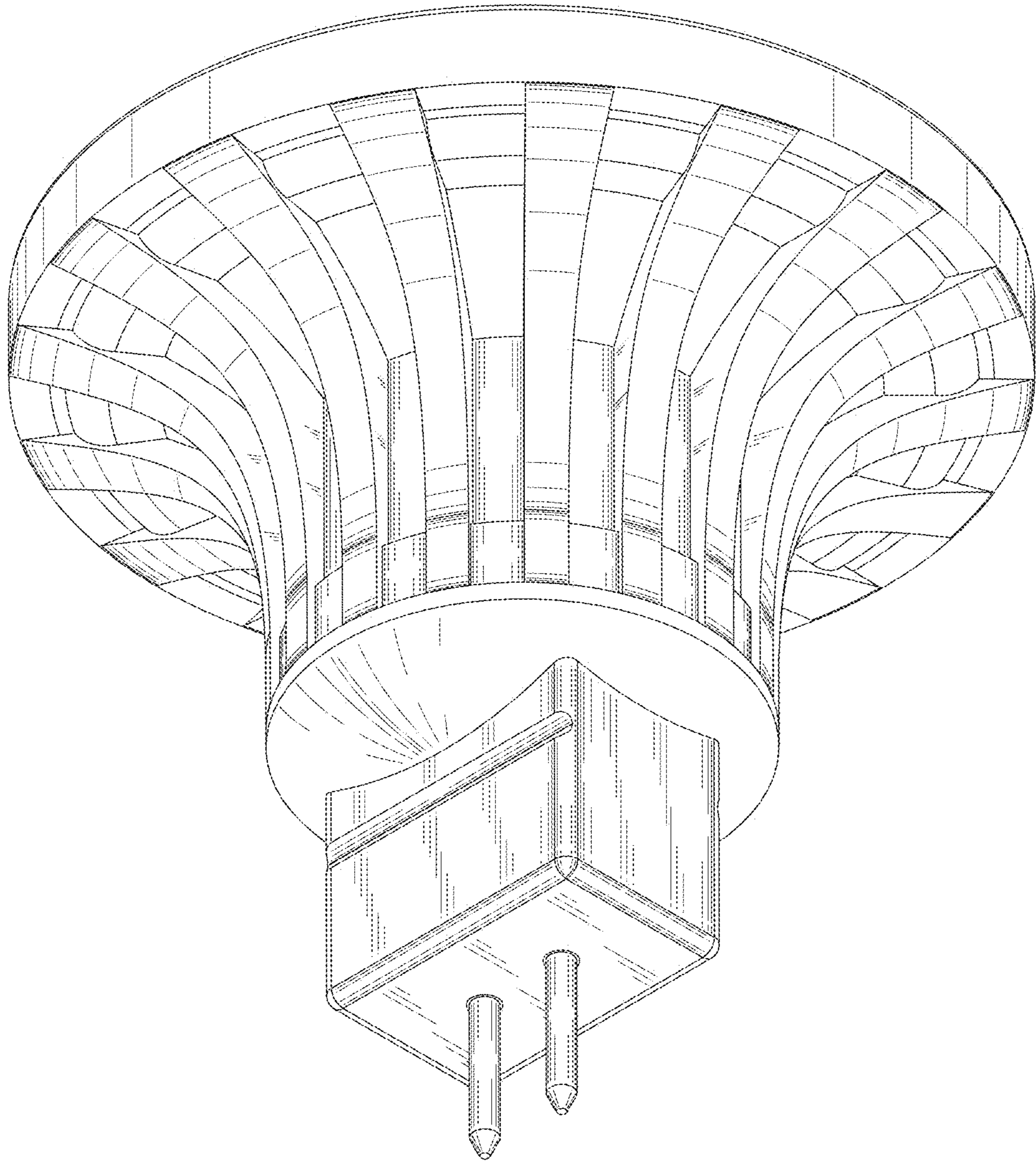


FIG. 2

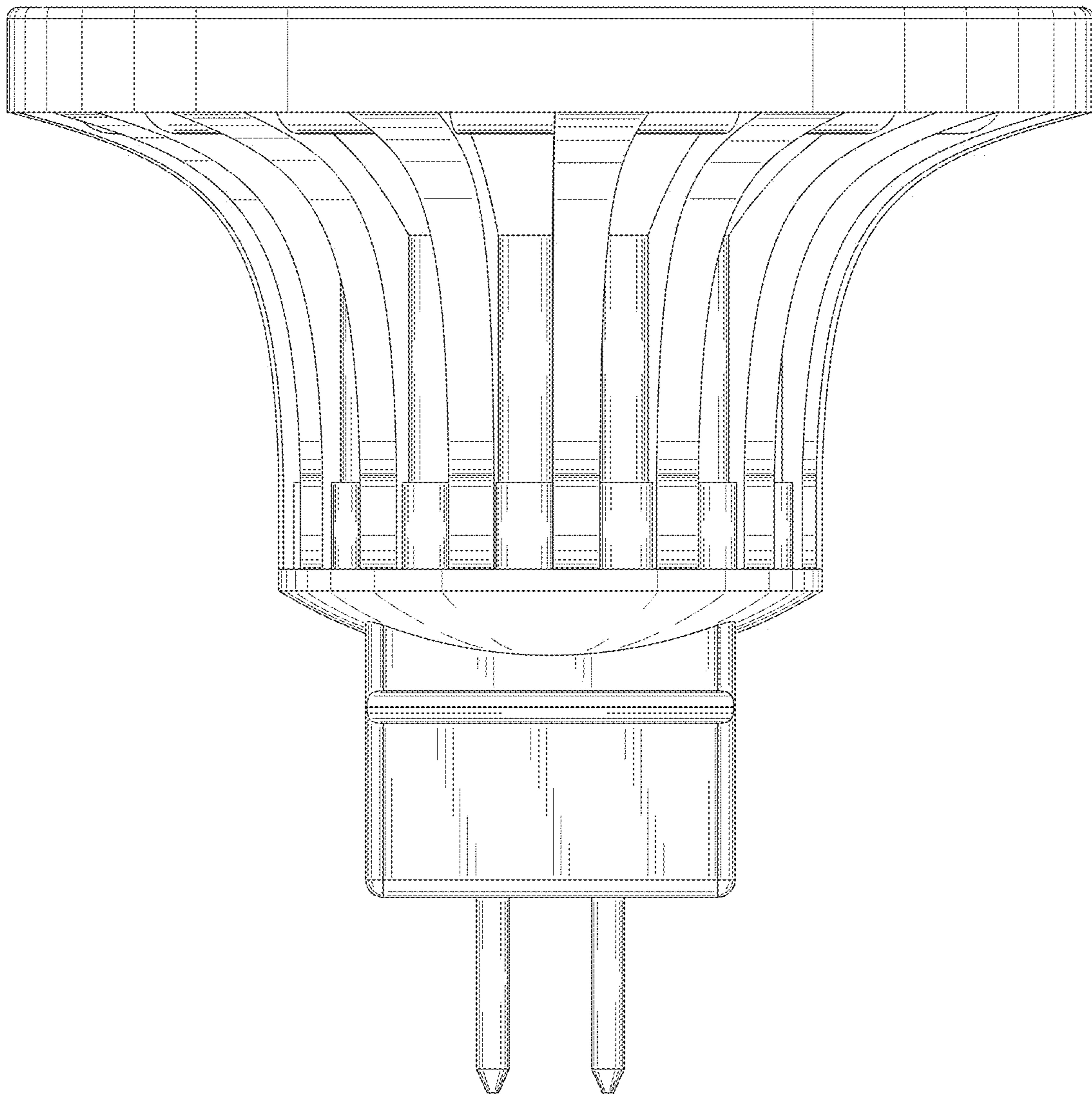


FIG. 3

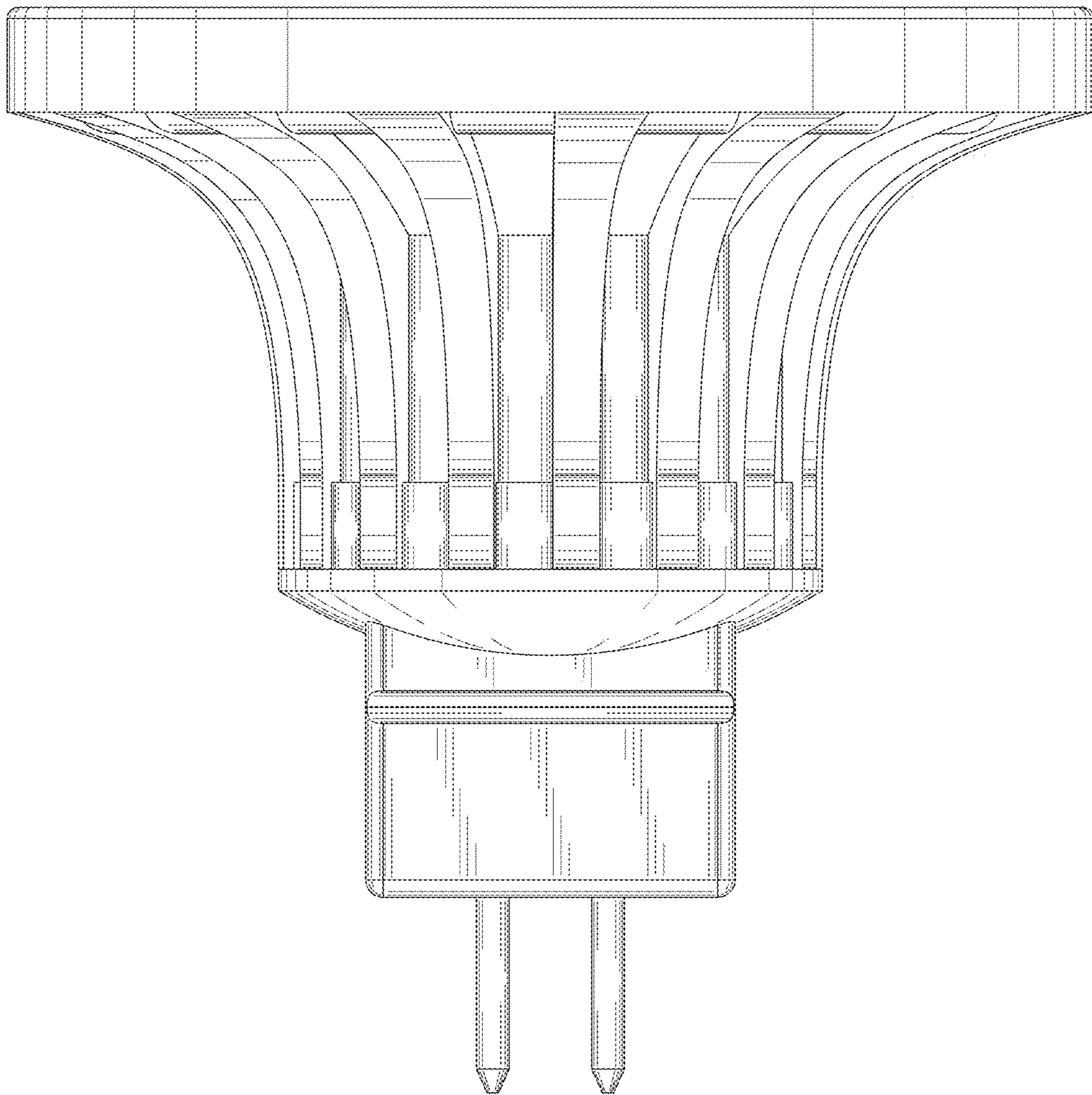


FIG. 4

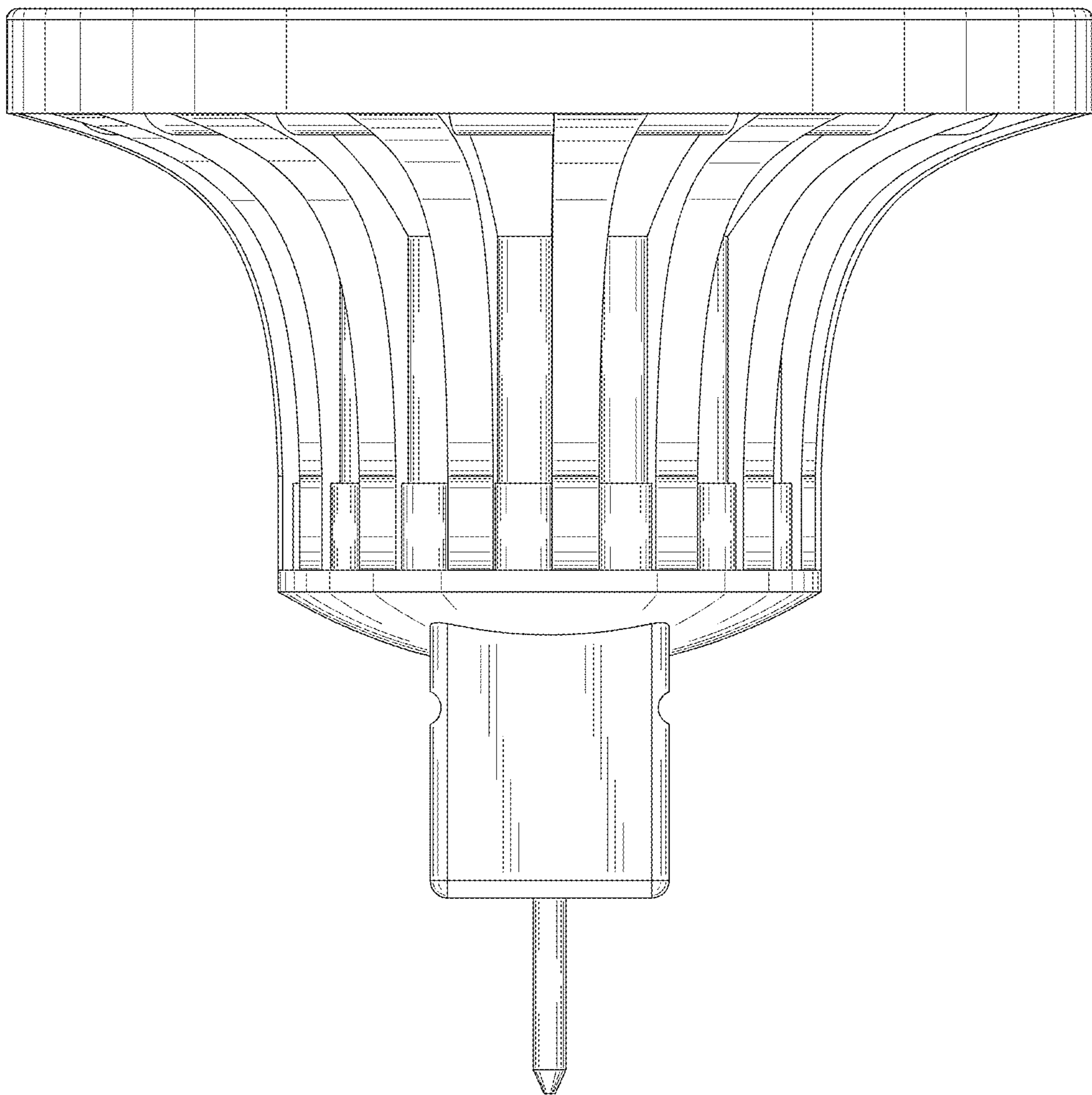


FIG. 5

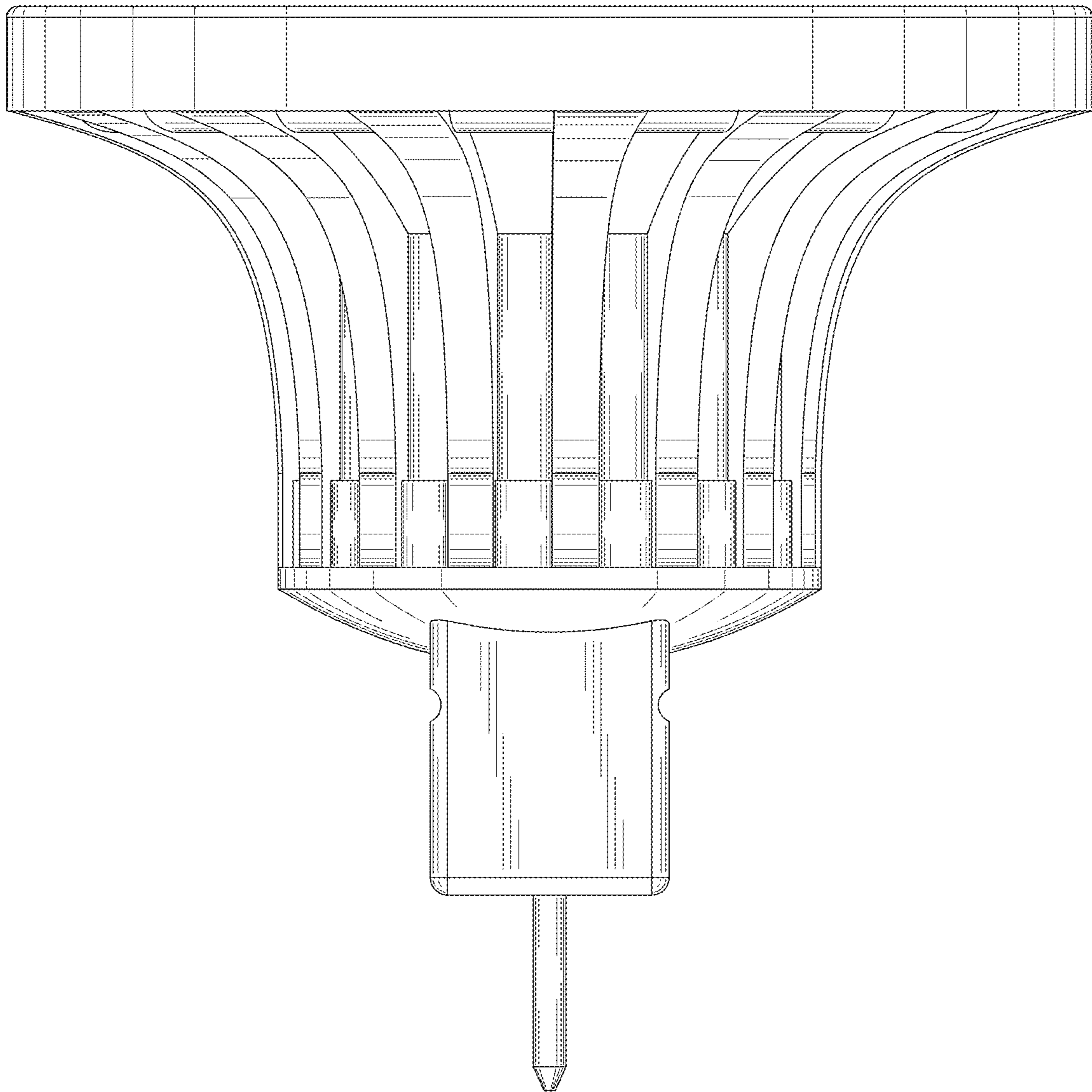


FIG. 6

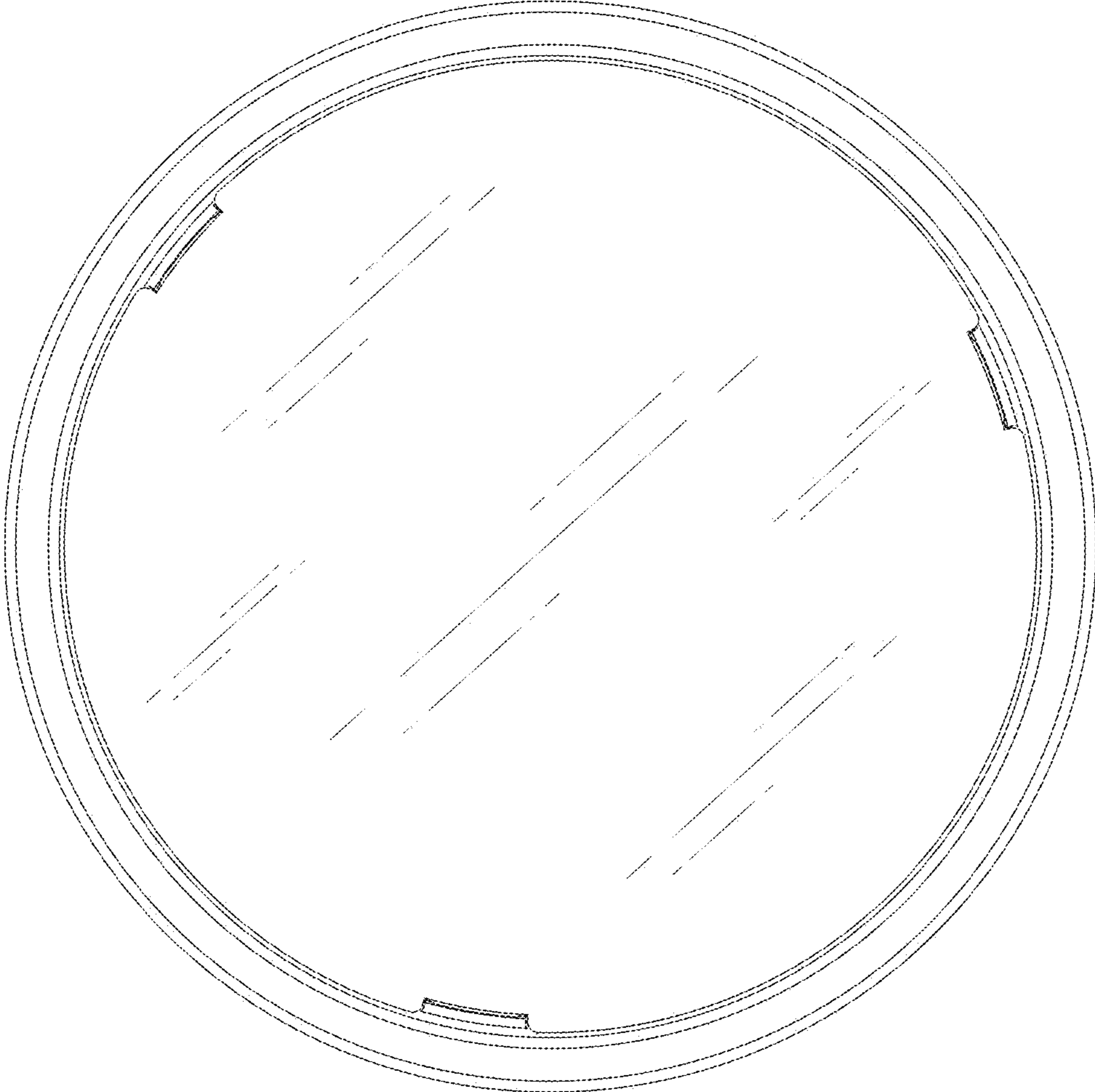


FIG. 7

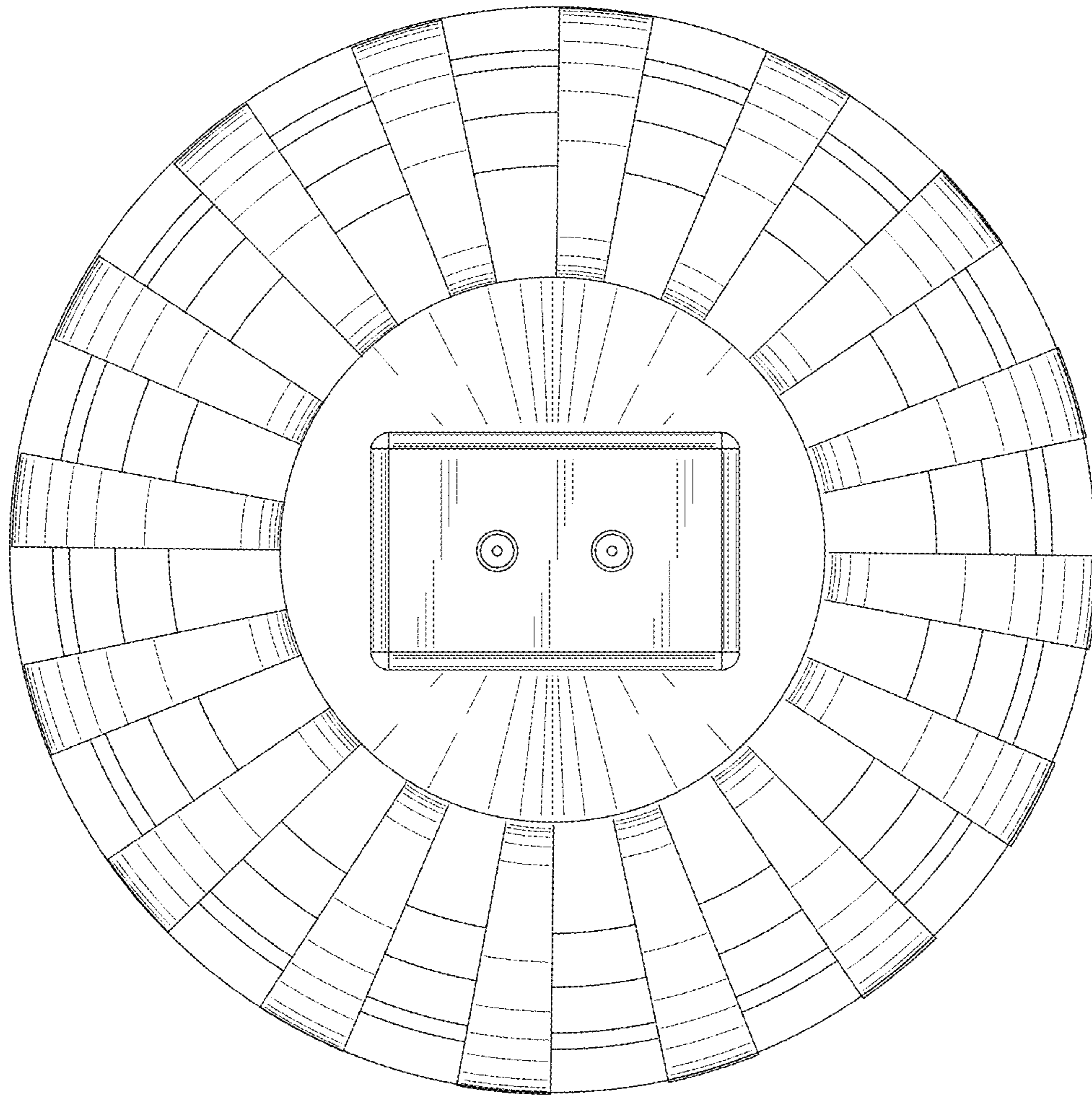


FIG. 8