

US00D869008S

(12) **United States Design Patent** (10) **Patent No.:** **US D869,008 S**
Wang (45) **Date of Patent:** **** Dec. 3, 2019**

(54) **LED LAMP**
(71) Applicant: **Shenzhen Chinlighting Technology Co., Ltd.**, Shenzhen, Guangdong (CN)
(72) Inventor: **Zheng Wang**, Guangdong (CN)
(73) Assignee: **Shenzhen Andysom Lighting Co., Ltd** (CN)
(**) Term: **15 Years**

D471,293 S * 3/2003 Bobel D26/2
D471,996 S * 3/2003 Kuen D26/4
D543,288 S * 5/2007 Bembridge D26/2
D544,109 S * 6/2007 Tsuruha D26/2
D579,130 S * 10/2008 Hernandez, Jr. D26/2
D610,272 S * 2/2010 Guo D26/2

* cited by examiner

Primary Examiner — Marcus A Jackson
(74) *Attorney, Agent, or Firm* — Inhouse Co. Law Firm;
Alexander Chen, Esq.; Theodore Lee, Esq.

(21) Appl. No.: **29/663,483**
(22) Filed: **Sep. 17, 2018**
(51) **LOC (12) Cl.** **26-04**
(52) **U.S. Cl.**
USPC **D26/2**
(58) **Field of Classification Search**
USPC D26/1-4
CPC H01R 5/00; H01R 13/46; H01R 13/514;
H01R 31/048; H01R 31/02; H01J 5/00;
H01J 5/16; H01J 1/02; H01J 15/00; H01J
5/48; H01J 5/50; H01J 19/54; F21V 5/00;
F21K 9/00; F21K 29/004
See application file for complete search history.

(57) **CLAIM**

An ornamental design for a LED lamp design, as shown and described.

DESCRIPTION

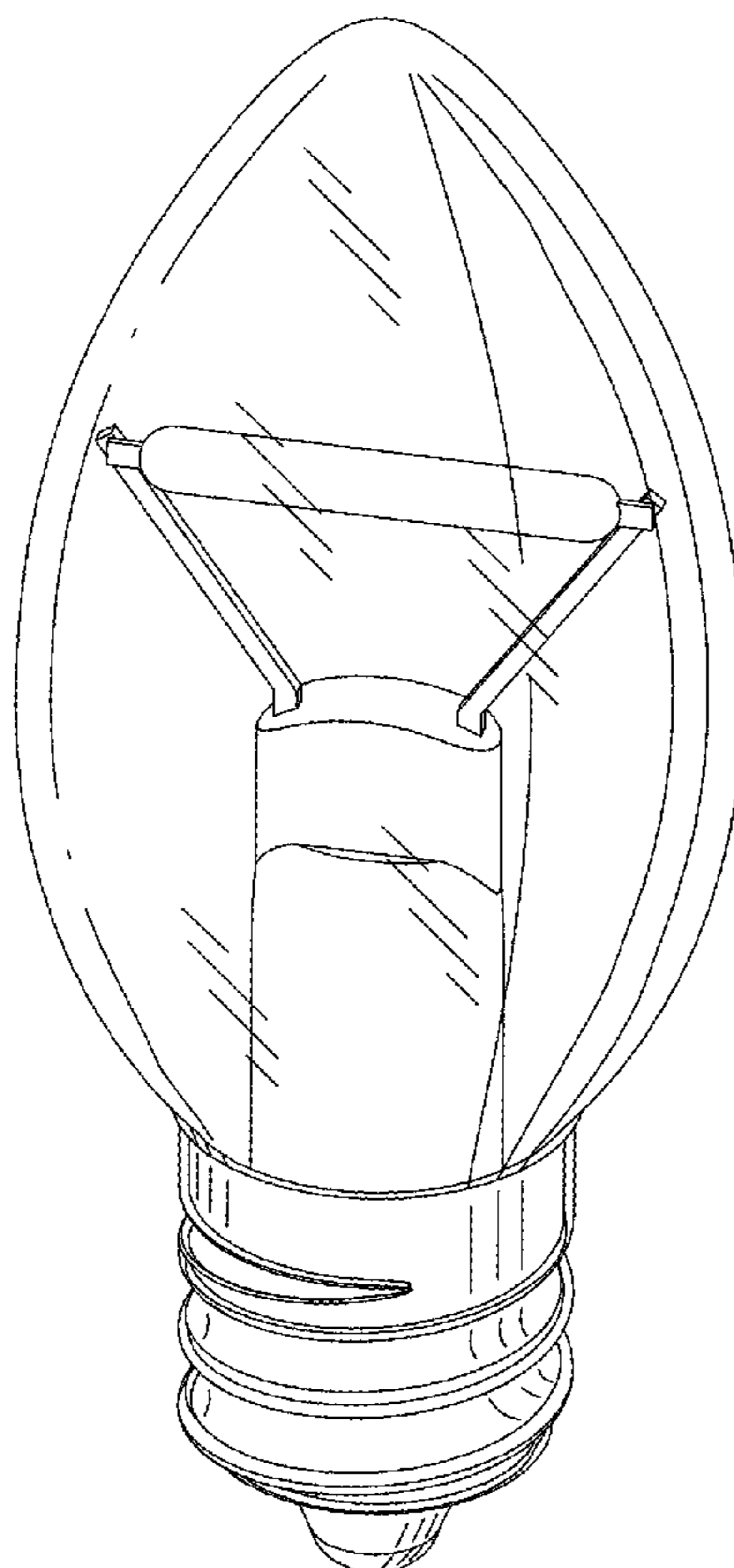
FIG. 1 is a front elevational view of a LED lamp design;
FIG. 2 is a rear elevational view thereof;
FIG. 3 is a left side elevational view thereof;
FIG. 4 is a right side elevational view thereof;
FIG. 5 is a top plan view thereof;
FIG. 6 is a bottom plan view thereof; and,
FIG. 7 is a perspective view thereof.

(56) **References Cited**

U.S. PATENT DOCUMENTS

D437,645 S * 2/2001 Sung D26/2
D469,548 S * 1/2003 Bobel D26/2

1 Claim, 7 Drawing Sheets



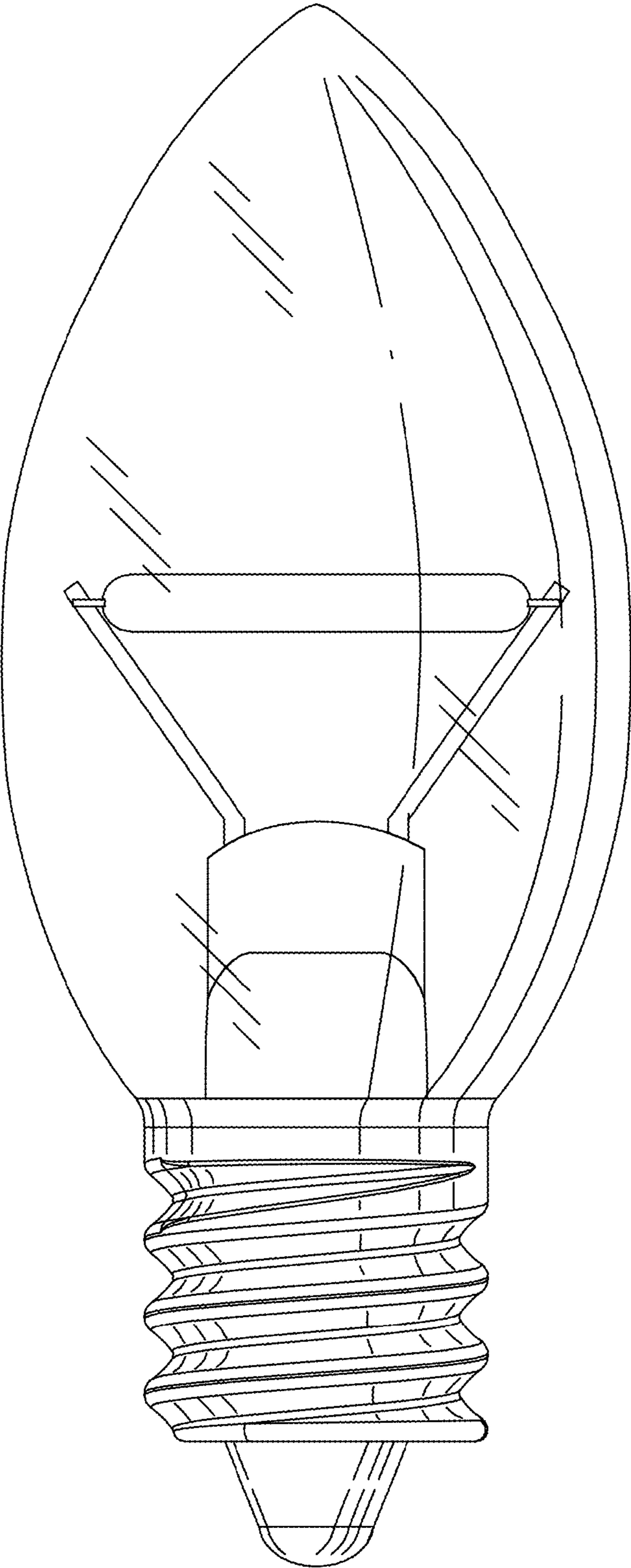


Fig. 1

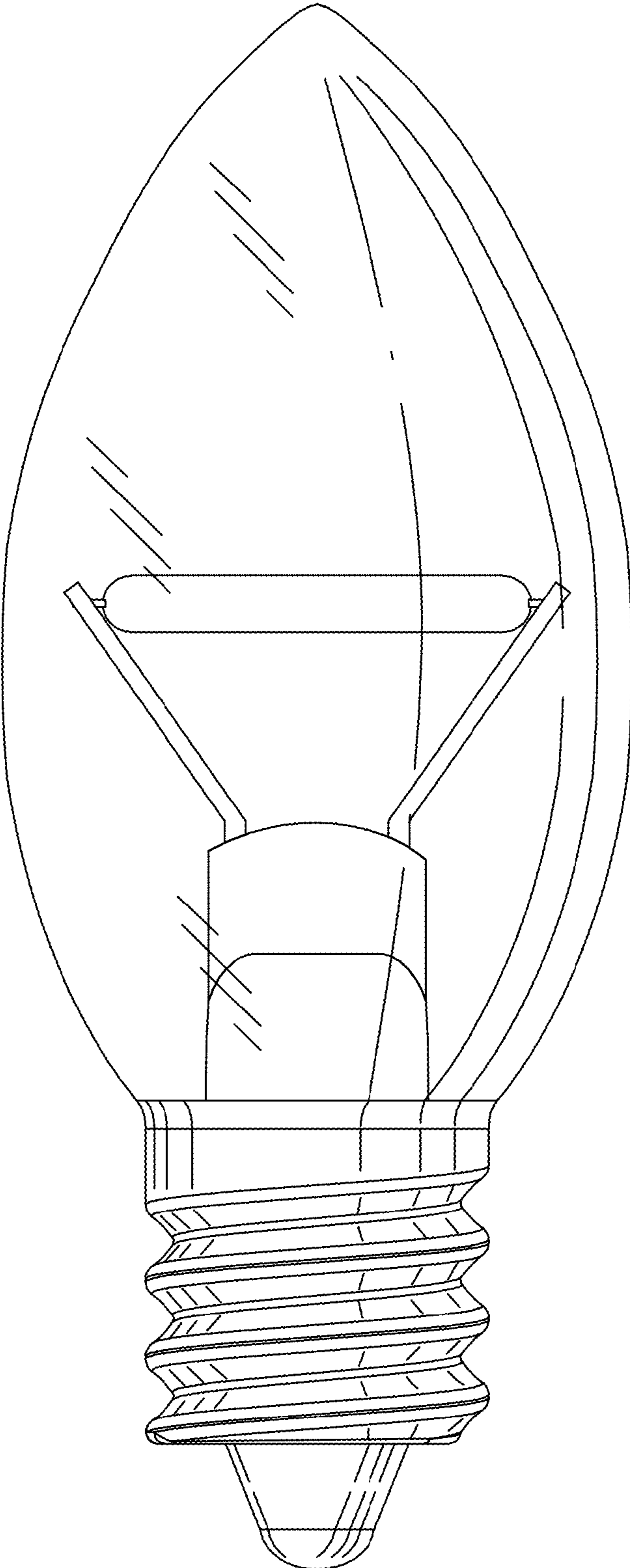


Fig. 2

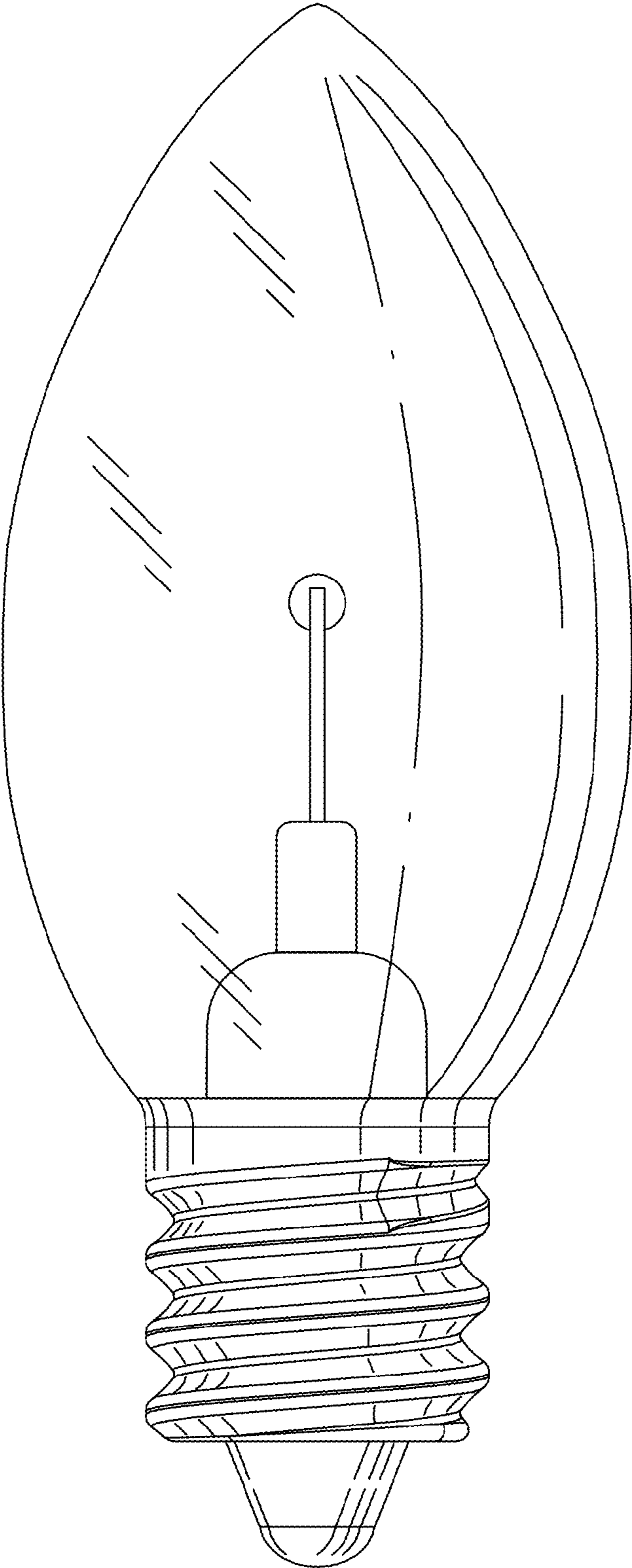


Fig. 3

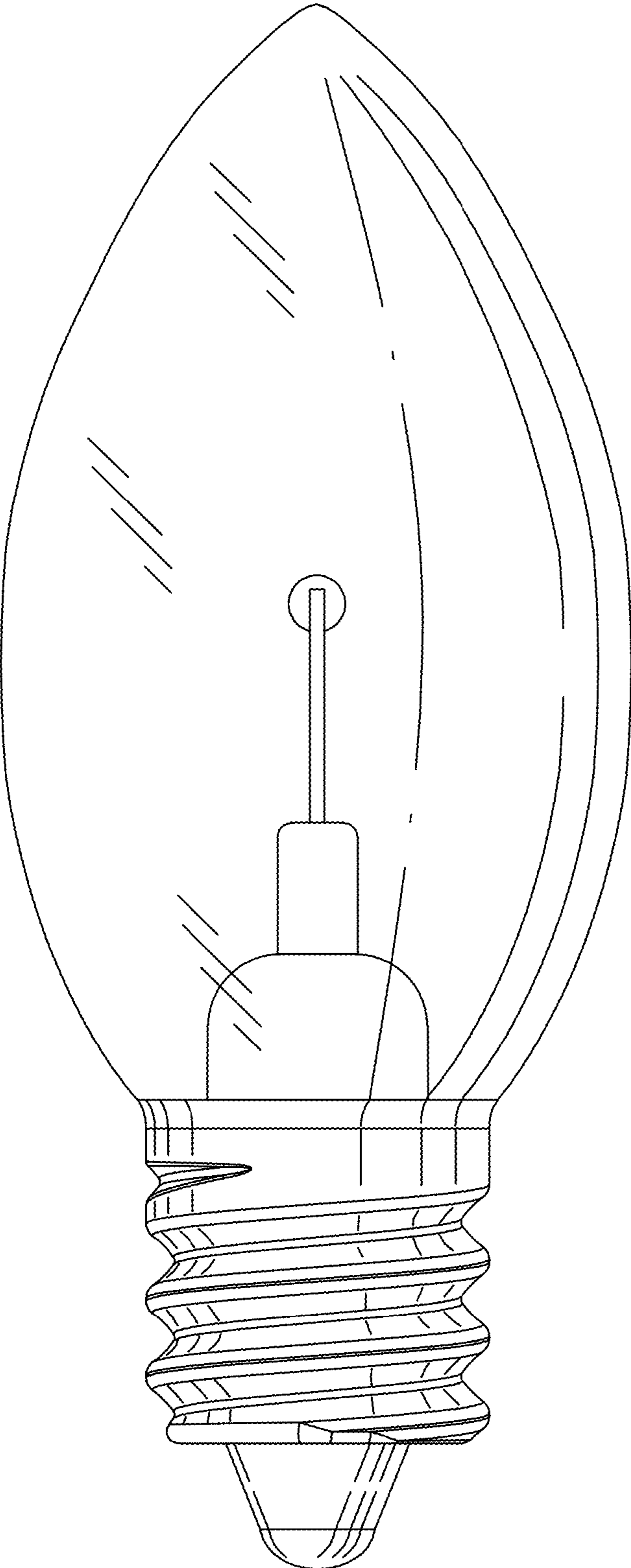


Fig. 4

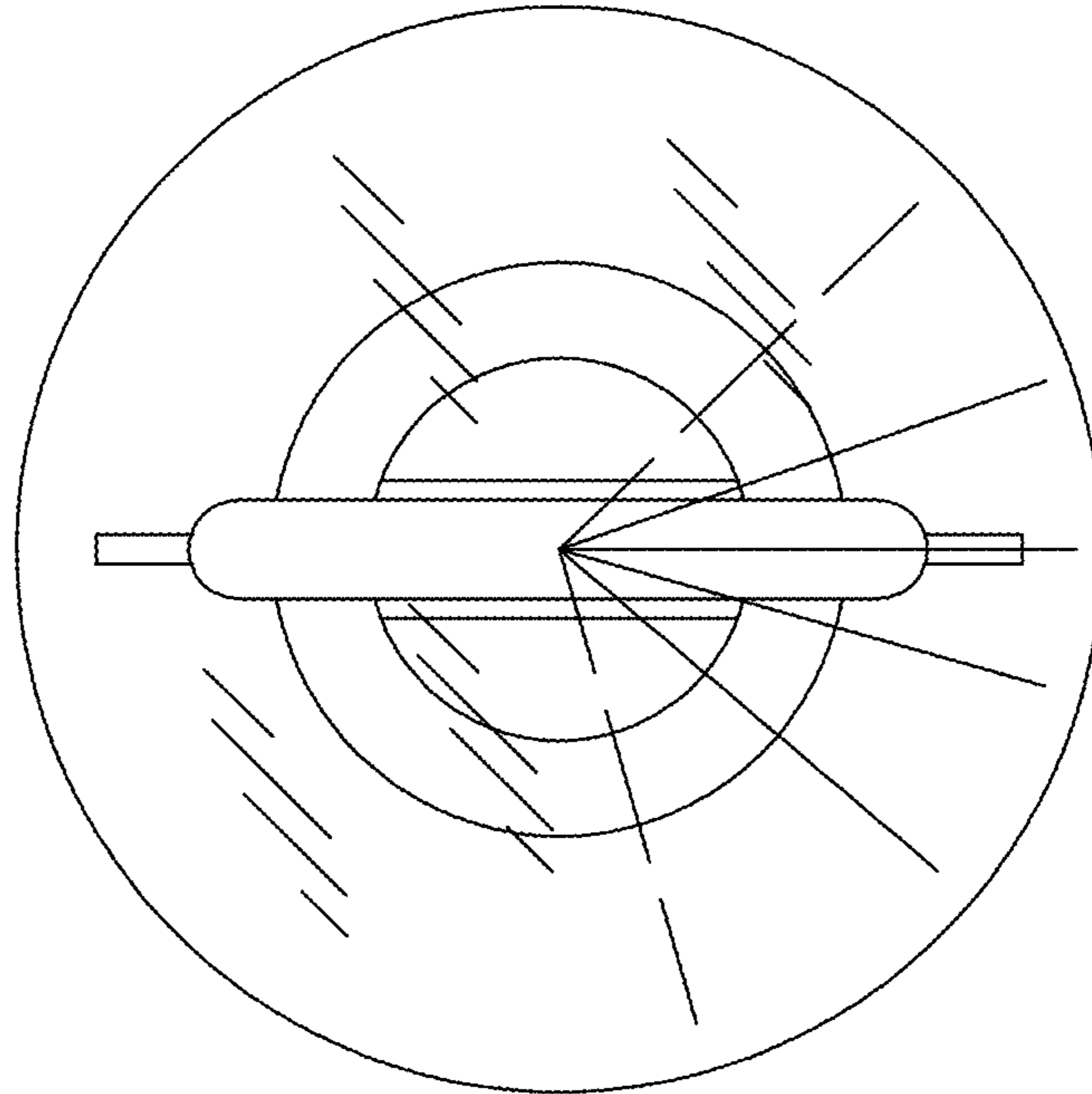


Fig. 5

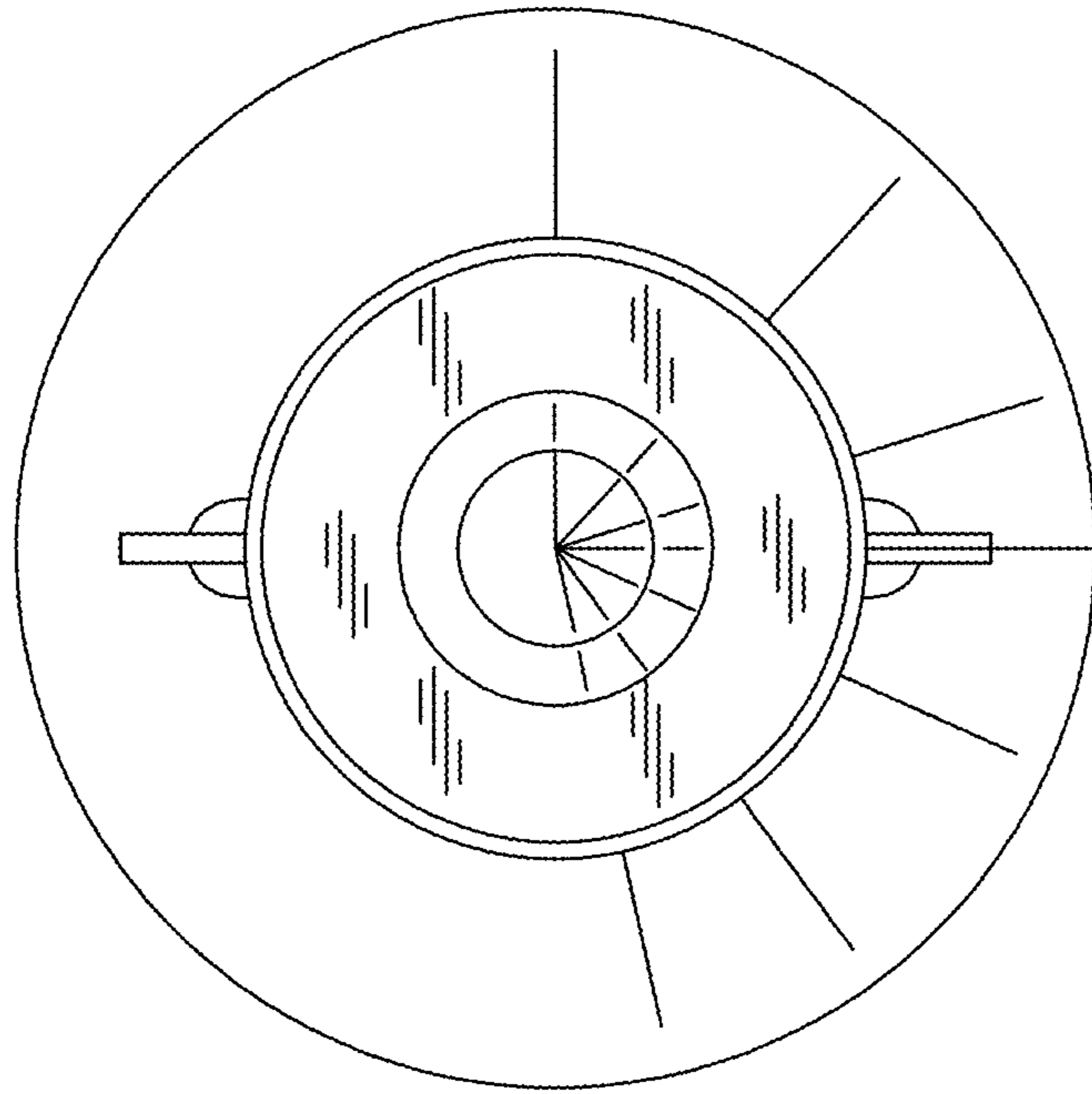


Fig. 6

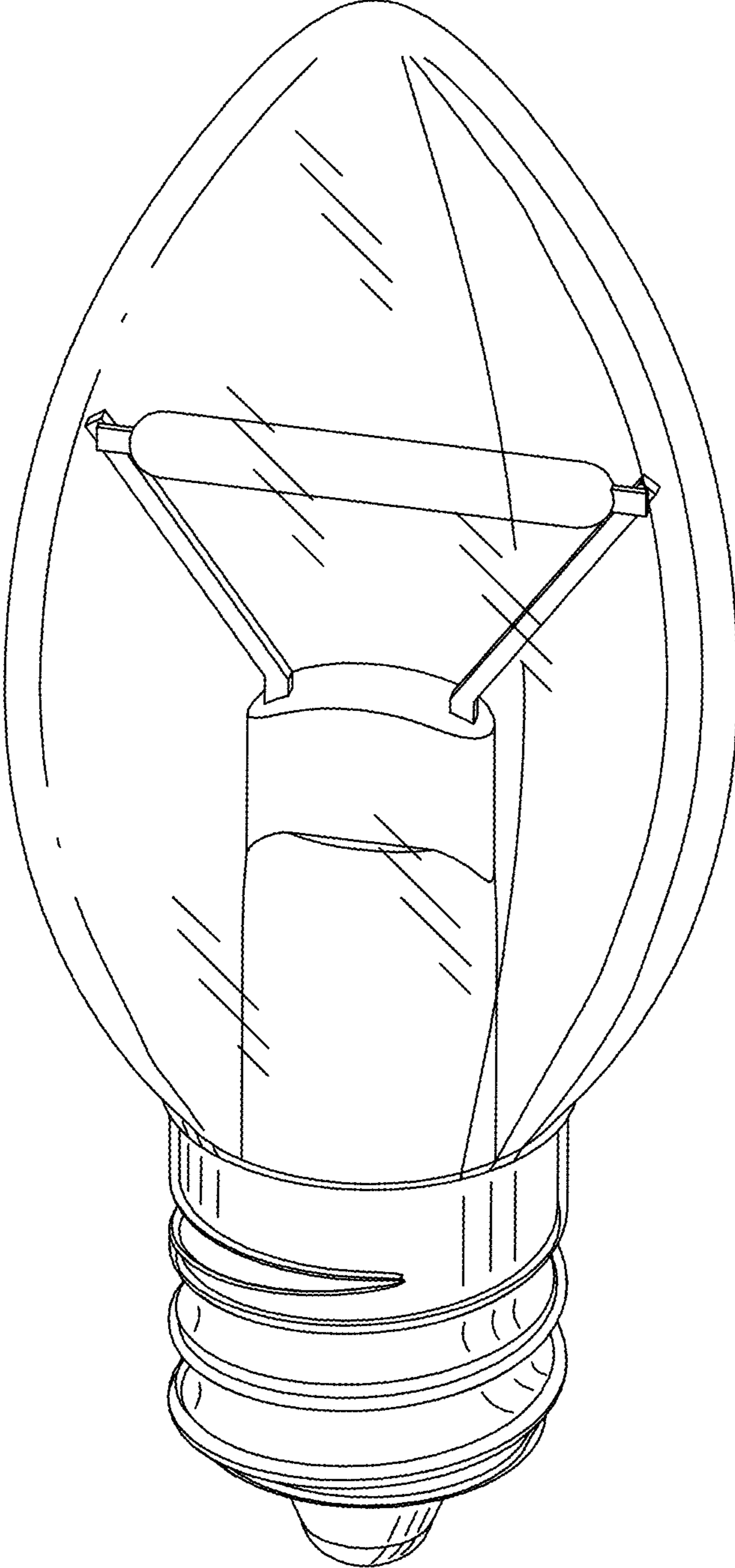


Fig. 7