



US00D869002S

(12) **United States Design Patent** (10) **Patent No.: US D869,002 S**  
**Labesque et al.** (45) **Date of Patent: \*\* \*Dec. 3, 2019**

(54) **PHOTOVOLTAIC ROOF TILE**  
(71) Applicant: **Tesla, Inc.**, Palo Alto, CA (US)

D195,335 S \* 6/1963 Speaker ..... D25/163  
D201,181 S \* 5/1965 Seymour ..... D25/163  
D222,045 S \* 9/1971 Ottinger et al. .... D25/163  
(Continued)

(72) Inventors: **Remy Labesque**, Palo Alto, CA (US);  
**Daniel Flanigan**, Petaluma, CA (US);  
**Jack West**, San Rafael, CA (US);  
**Brian Atchley**, Petaluma, CA (US);  
**Brian West**, Larkspur, CA (US)

(73) Assignee: **Tesla, Inc.**, Palo Alto, CA (US)

(\* ) Notice: This patent is subject to a terminal disclaimer.

(\*\*) Term: **15 Years**

(21) Appl. No.: **29/653,145**

(22) Filed: **Jun. 12, 2018**

**Related U.S. Application Data**

(62) Division of application No. 29/599,295, filed on Mar. 31, 2017, now Pat. No. Des. 821,614.

(51) **LOC (12) Cl.** ..... **25-01**

(52) **U.S. Cl.**  
USPC ..... **D25/140**

(58) **Field of Classification Search**  
USPC ..... D25/138-141, 143, 144, 157-163;  
D13/102  
CPC .... E04D 1/00; E04D 1/02; E04D 1/06; E04D  
1/12; E04D 1/18; E04D 1/26; E04D 3/00;  
E04D 3/02; E04D 3/16; F24S 2020/10;  
F24S 2020/11; F24S 2020/13; F24S  
20/66; F24S 20/69

See application file for complete search history.

(56) **References Cited**

**U.S. PATENT DOCUMENTS**

D122,867 S \* 10/1940 Goldsmith ..... D5/47  
2,307,734 A \* 1/1943 De Vault ..... E04D 1/08  
156/220

**OTHER PUBLICATIONS**

Elon Musk Pitches New Custom Solar Panels On Hollywood Backlot (on-line), dated Oct. 31, 2016. Retrieved from Internet Jan. 17, 2018, URL: <https://www.hybridcars.com/elon-musk-pitches-new-custom-solar-panels-on-hollywood-backlot/> (2 pages) (Year: 2016).\*

(Continued)

*Primary Examiner* — Kevin K Rudzinski

*Assistant Examiner* — Kimberly Barnes

(74) *Attorney, Agent, or Firm* — Kilpatrick Townsend & Stockton LLP

(57) **CLAIM**

The ornamental design for a photovoltaic roof tile, as shown and described.

**DESCRIPTION**

The file of this patent contains at least one drawing/photograph executed in color. Copies of this patent with color drawing(s)/photographs(s) will be provided by the office upon request and payment of the necessary fee.

FIG. 1 is a top front perspective view of a photovoltaic roof tile showing the claimed design;

FIG. 2 is a top rear perspective view thereof;

FIG. 3 is a top view thereof;

FIG. 4 is a left side view thereof;

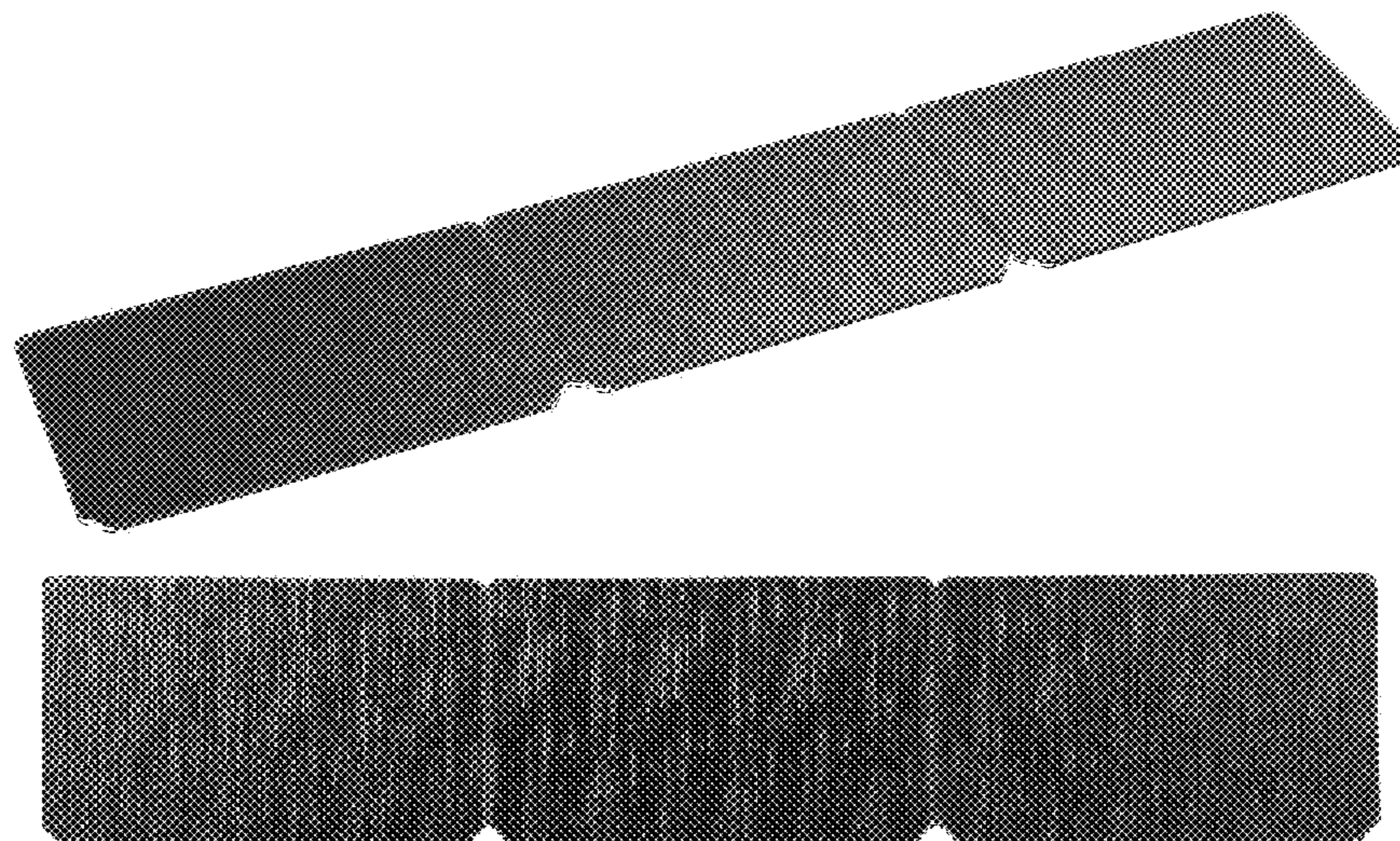
FIG. 5 is a right side view thereof;

FIG. 6 is a front view thereof; and,

FIG. 7 is a rear view thereof.

The dot-dash broken lines in FIGS. 1-6 show boundaries that form no part of the claimed design.

**1 Claim, 2 Drawing Sheets**  
**(2 of 2 Drawing Sheet(s) Filed in Color)**



(56)

References Cited

U.S. PATENT DOCUMENTS

D229,676 S \* 12/1973 Koch ..... D25/163  
 D441,466 S \* 5/2001 Boone ..... D25/163  
 6,224,701 B1 \* 5/2001 Bryant ..... E04F 13/0864  
 156/227  
 D536,534 S \* 2/2007 Harkenrider ..... D5/60  
 D629,128 S \* 12/2010 Lim ..... D25/138  
 D663,864 S \* 7/2012 Tarvaran ..... D25/141  
 8,209,938 B2 \* 7/2012 Gaudreau ..... B29C 45/03  
 52/311.1  
 D731,798 S \* 6/2015 Korkala ..... D5/60  
 9,091,086 B2 \* 7/2015 Michalski ..... E04F 13/0894  
 D814,402 S \* 4/2018 Cheung ..... D13/102  
 9,966,898 B1 \* 5/2018 Flanigan ..... H02S 20/25  
 D821,614 S \* 6/2018 Labesque ..... D25/140  
 D833,382 S \* 11/2018 Labesque ..... D13/102  
 10,298,171 B2 \* 5/2019 Almy ..... H02S 20/25  
 2016/0164453 A1 \* 6/2016 Cropper ..... H02S 20/25  
 136/251  
 2018/0351502 A1 \* 12/2018 Almy ..... H02S 20/25  
 2019/0020301 A1 \* 1/2019 Flanigan ..... H02S 20/25

OTHER PUBLICATIONS

Tesla Solar Roof Cost and More: Solar Glass Shingles & Tiles  
 (on-line), dated May 12, 2017. Retrieved from Internet Mar. 13,  
 2019, URL: <https://web.archive.org/web/20170512142059/https://www.roofingcalc.com/tesla-solar-roof-cost/> (2 pages) (Year: 2017).\*

Tesla Solar—Tesla (on-line), dated May 30, 2017. Retrieved from  
 Internet Mar. 13, 2019, URL: <https://web.archive.org/web/20170530134048/https://www.tesla.com/solarroof> (2 pages) (Year:  
 2017).\*

Tesla/SolarCity's Solar Roof: Solar Shingles Reimagined | EnergySage  
 (on-line), dated Nov. 7, 2016. Retrieved from Internet Mar. 13,  
 2019, URL: <https://web.archive.org/web/20161107035834/https://news.energysage.com/tesla-solar-panel-roof-the-next-solar-shingles/> (5 pages) (Year: 2016).\*

\* cited by examiner

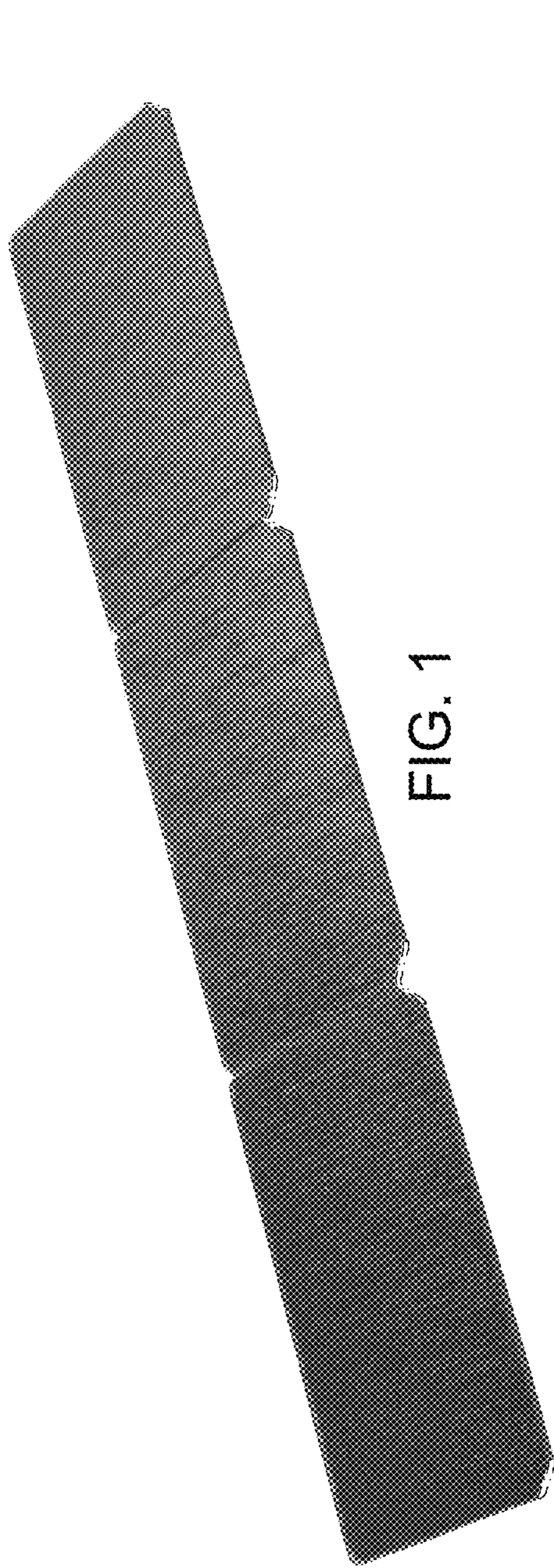


FIG. 1

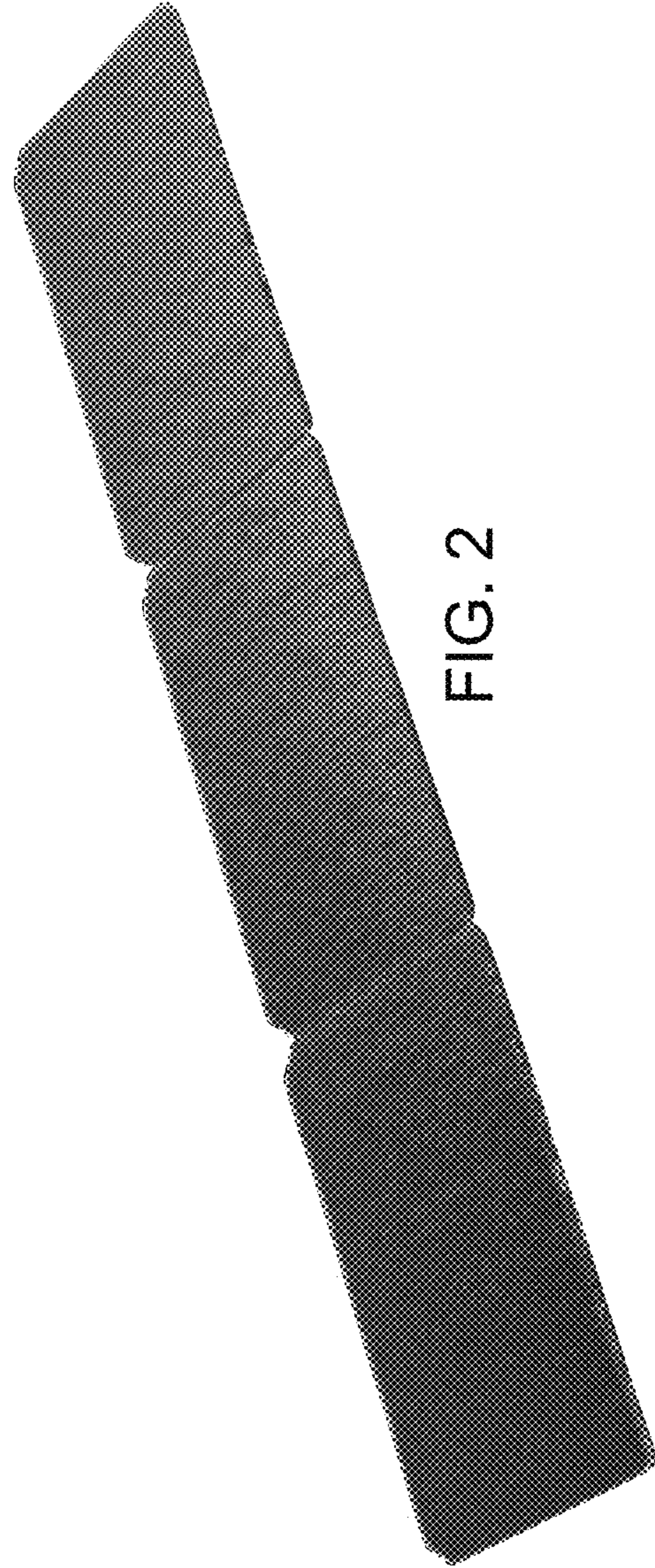


FIG. 2

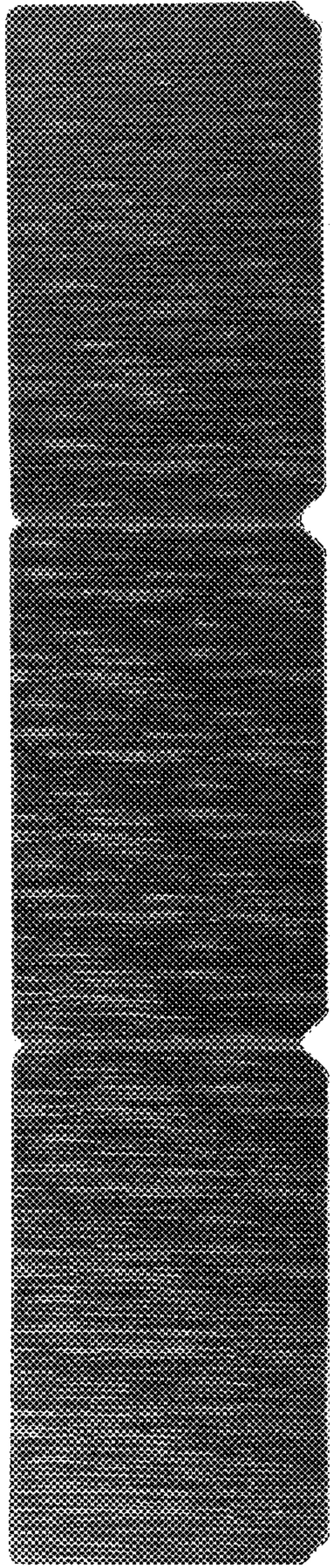


FIG. 3

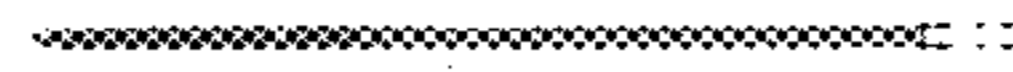


FIG. 4



FIG. 5



FIG. 6



FIG. 7