

US00D869001S

(12) **United States Design Patent** (10) **Patent No.:** **US D869,001 S**
Sonneman (45) **Date of Patent:** **** Dec. 3, 2019**

(54) **LIGHT TRIM**

(71) Applicant: **Contemporary Visions, LLC**,
Larchmont, NY (US)

(72) Inventor: **Robert A. Sonneman**, Mamaroneck,
NY (US)

(73) Assignee: **Contemporary Visions, LLC**,
Larchmont, NY (US)

(**) Term: **15 Years**

(21) Appl. No.: **29/672,269**

(22) Filed: **Dec. 4, 2018**

(51) **LOC (12) Cl.** **26-03**

(52) **U.S. Cl.**
USPC **D25/113**

(58) **Field of Classification Search**
USPC D26/76, 80–82, 84–85, 88, 90, 93, 110,
D26/113, 118, 120, 124, 128, 131, 141,
D26/142, 149, 138
CPC F21S 2/00; F21S 4/00; F21S 4/003; F21S
4/005; F21S 4/006; F21S 4/007; F21S
4/008; F21S 6/00; F21S 8/00; F21S
8/024; F21S 8/026; F21S 8/031; F21S
8/033; F21S 8/035–037; F21S 8/04; F21S
8/043; F21S 8/063

See application file for complete search history.

(56) **References Cited**

U.S. PATENT DOCUMENTS

D328,650 S * 8/1992 Jones D26/81
D425,655 S * 5/2000 Dolan D26/142

D516,235 S * 2/2006 Rashidi D26/138
D737,497 S * 8/2015 Burgess D26/113
D789,597 S * 6/2017 Wallach D26/138
D800,958 S * 10/2017 Sonneman D26/138
D801,574 S * 10/2017 Amato D26/118
D818,632 S * 5/2018 Kotovsky D26/118
D830,620 S * 10/2018 Sonneman D26/118

* cited by examiner

Primary Examiner — Brian N. Vinson

(74) *Attorney, Agent, or Firm* — Gottlieb, Rackman &
Reisman, P.C.

(57) **CLAIM**

The ornamental design for a light trim, as shown and
described.

DESCRIPTION

FIG. 1 is a perspective view of a light trim showing my new
design;

FIG. 2 is a first side elevational view thereof;

FIG. 3 is a second side elevational view thereof;

FIG. 4 is a third side elevational view thereof;

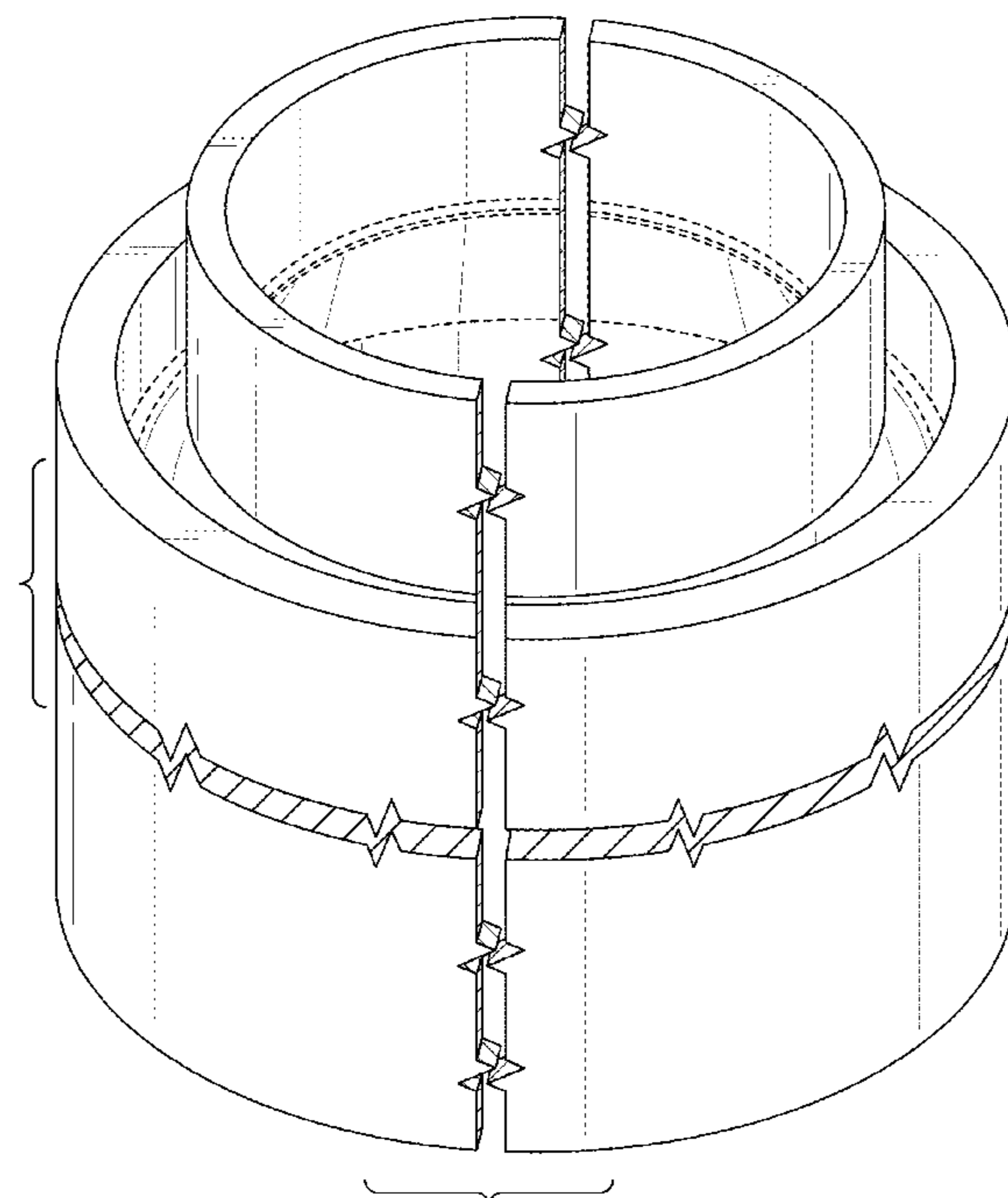
FIG. 5 is a fourth side elevational view thereof;

FIG. 6 is a top plan view thereof; and,

FIG. 7 is a bottom plan view thereof.

The broken lines shown in the drawings are included for the
purpose of illustrating elements of the light trim that is
attachable to a light fixture and form no part of the claimed
design. The portions of the light trim between the paired
break lines in the disclosure form no part of the claimed
design.

1 Claim, 7 Drawing Sheets



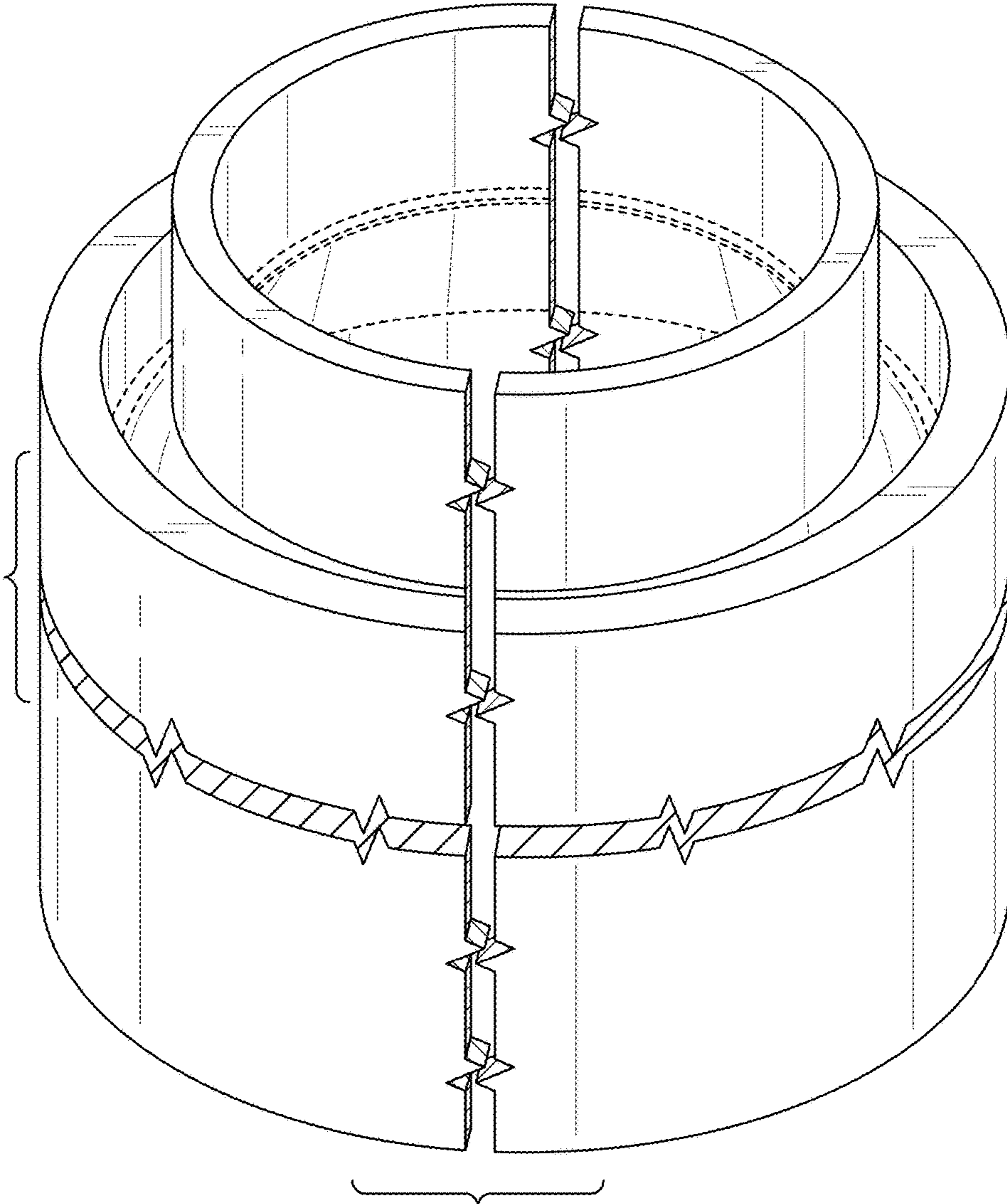


FIG. 1

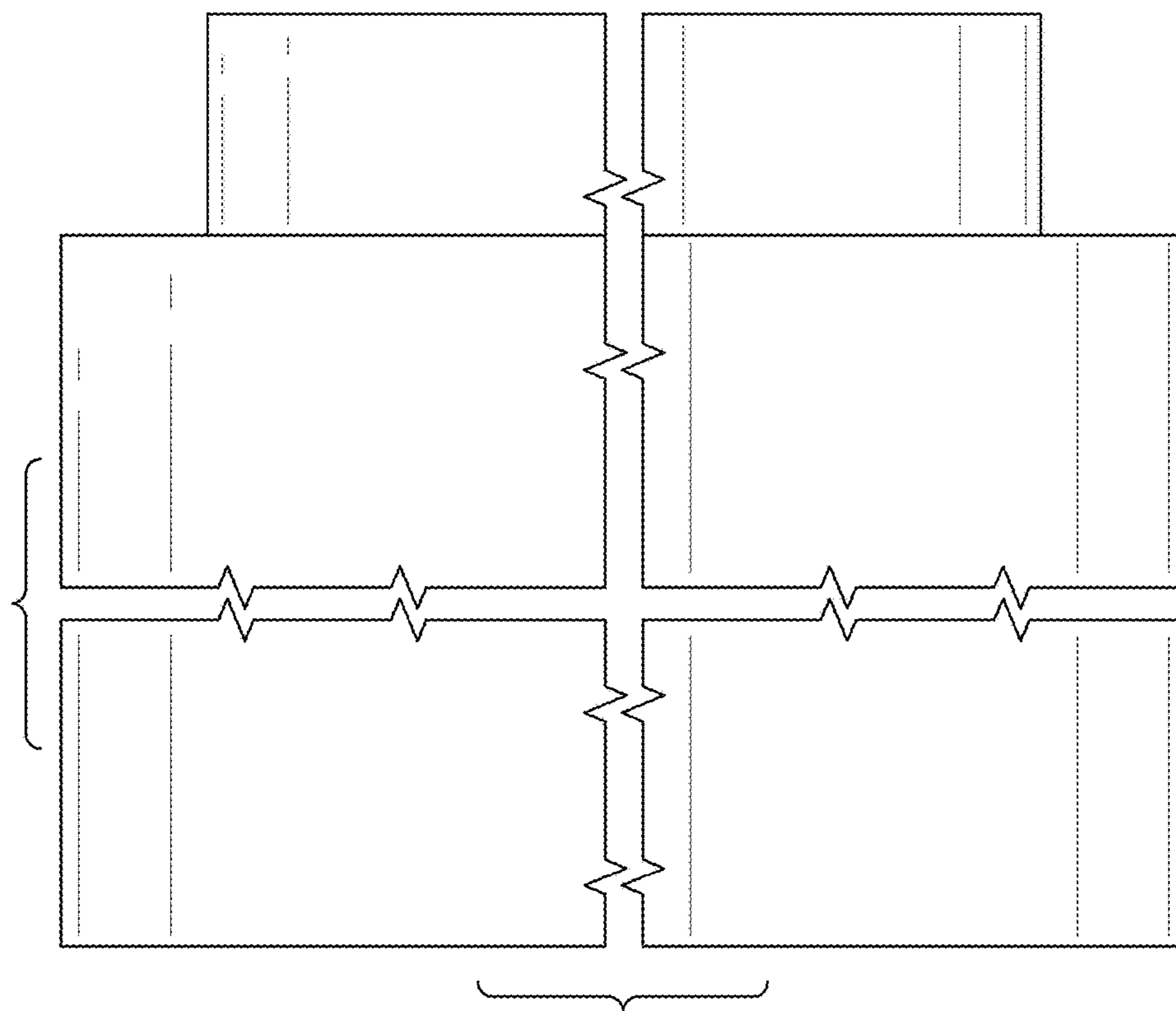


FIG. 2

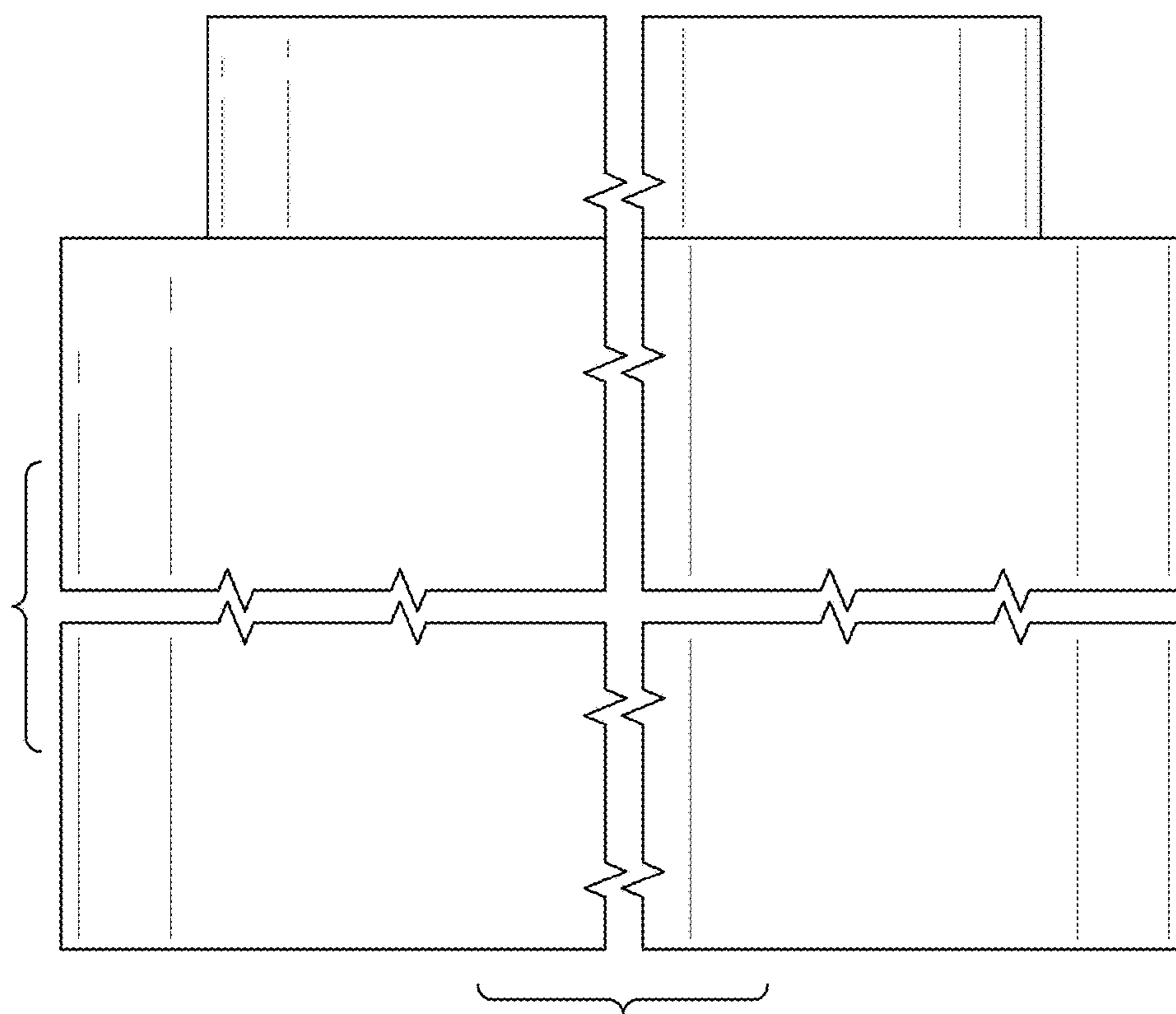


FIG. 3

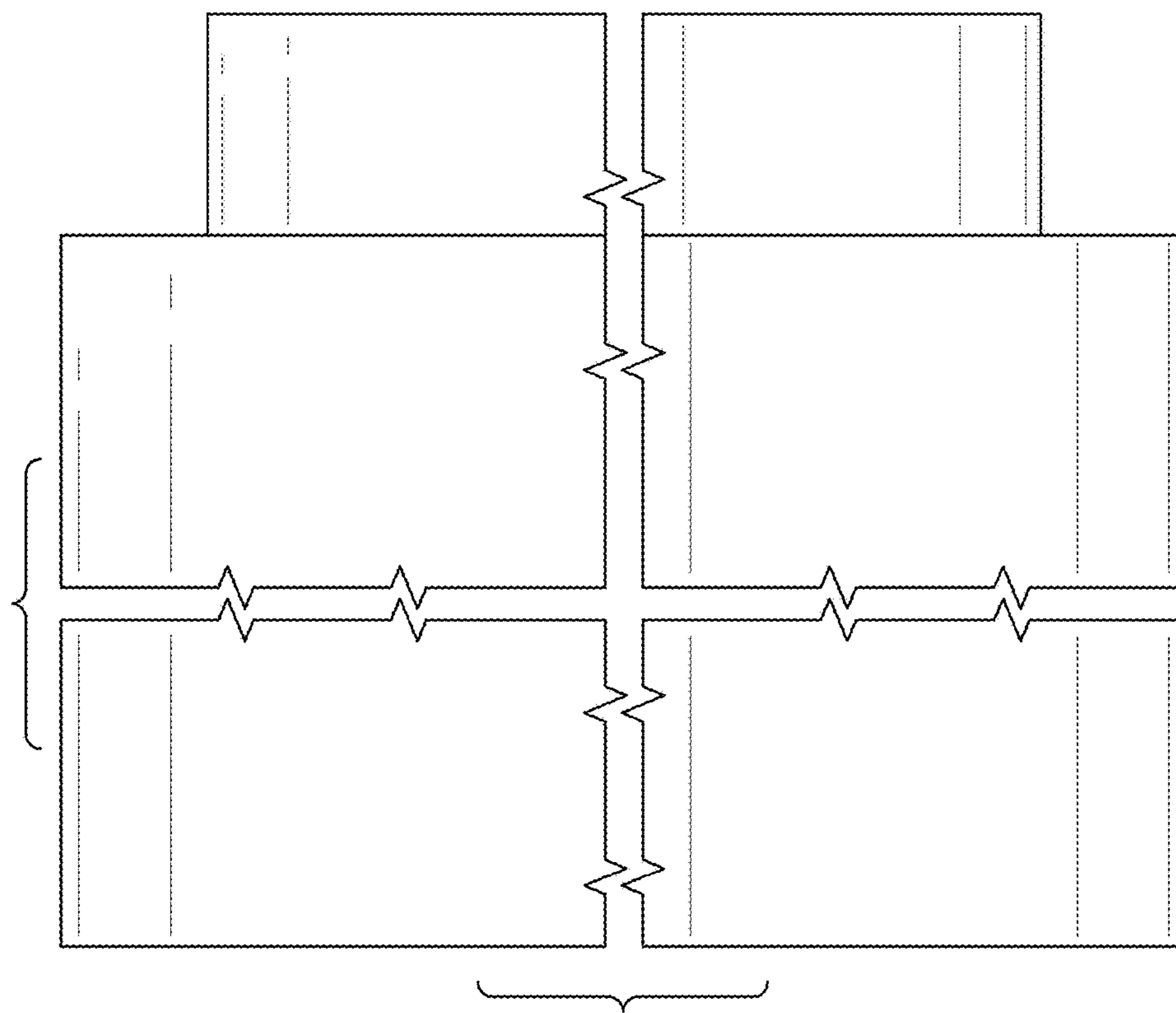


FIG. 4

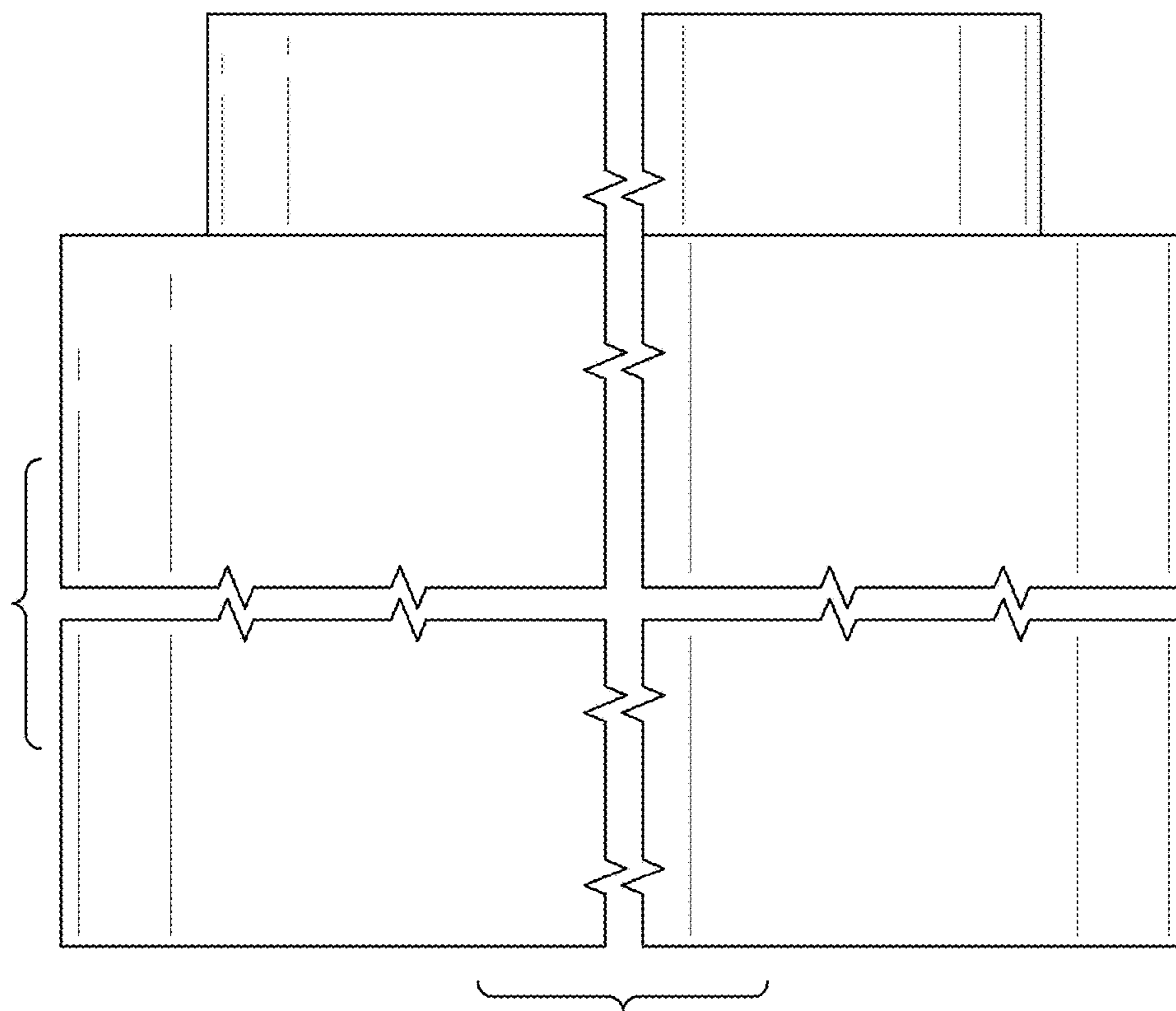


FIG. 5

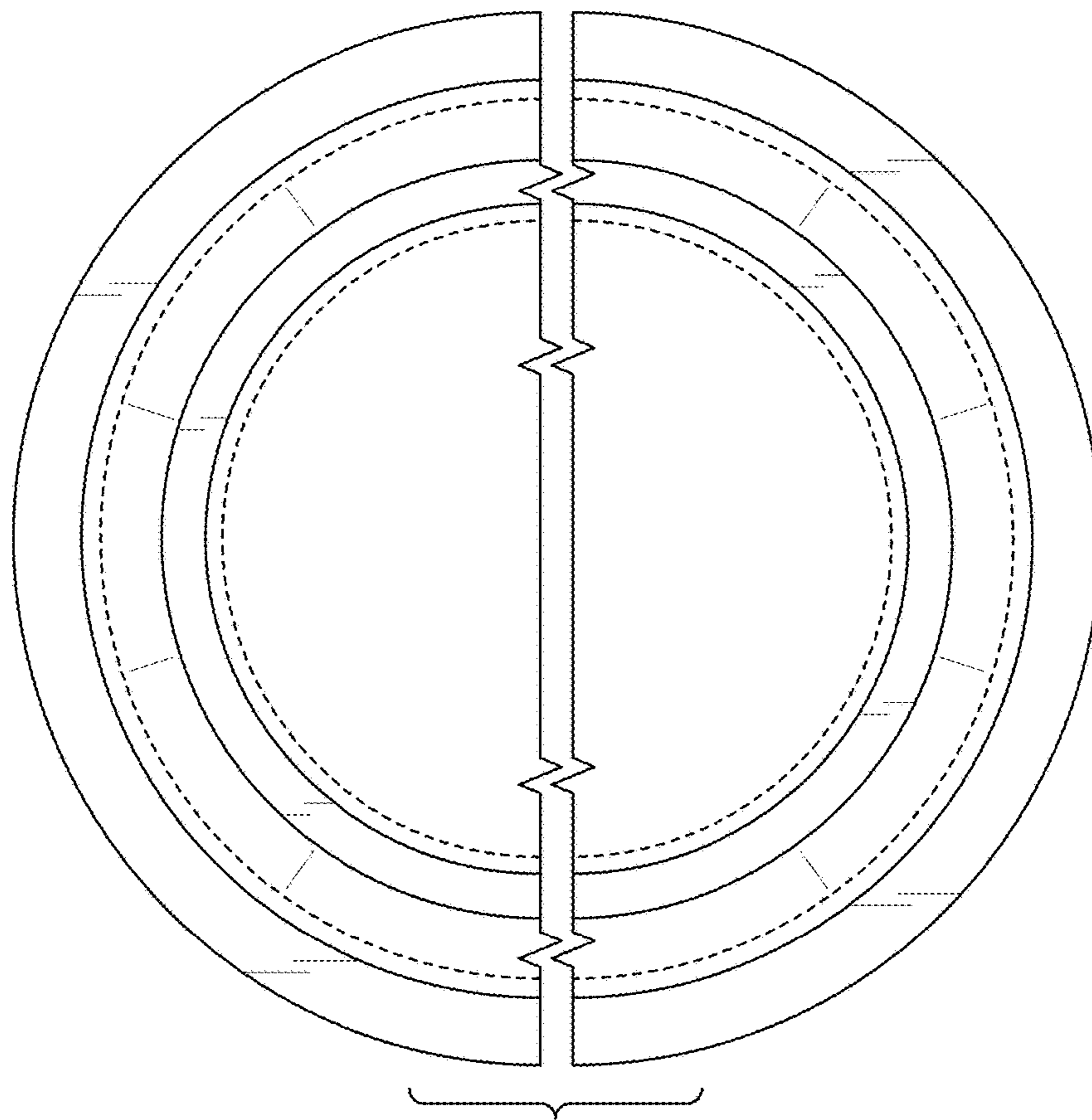


FIG. 6

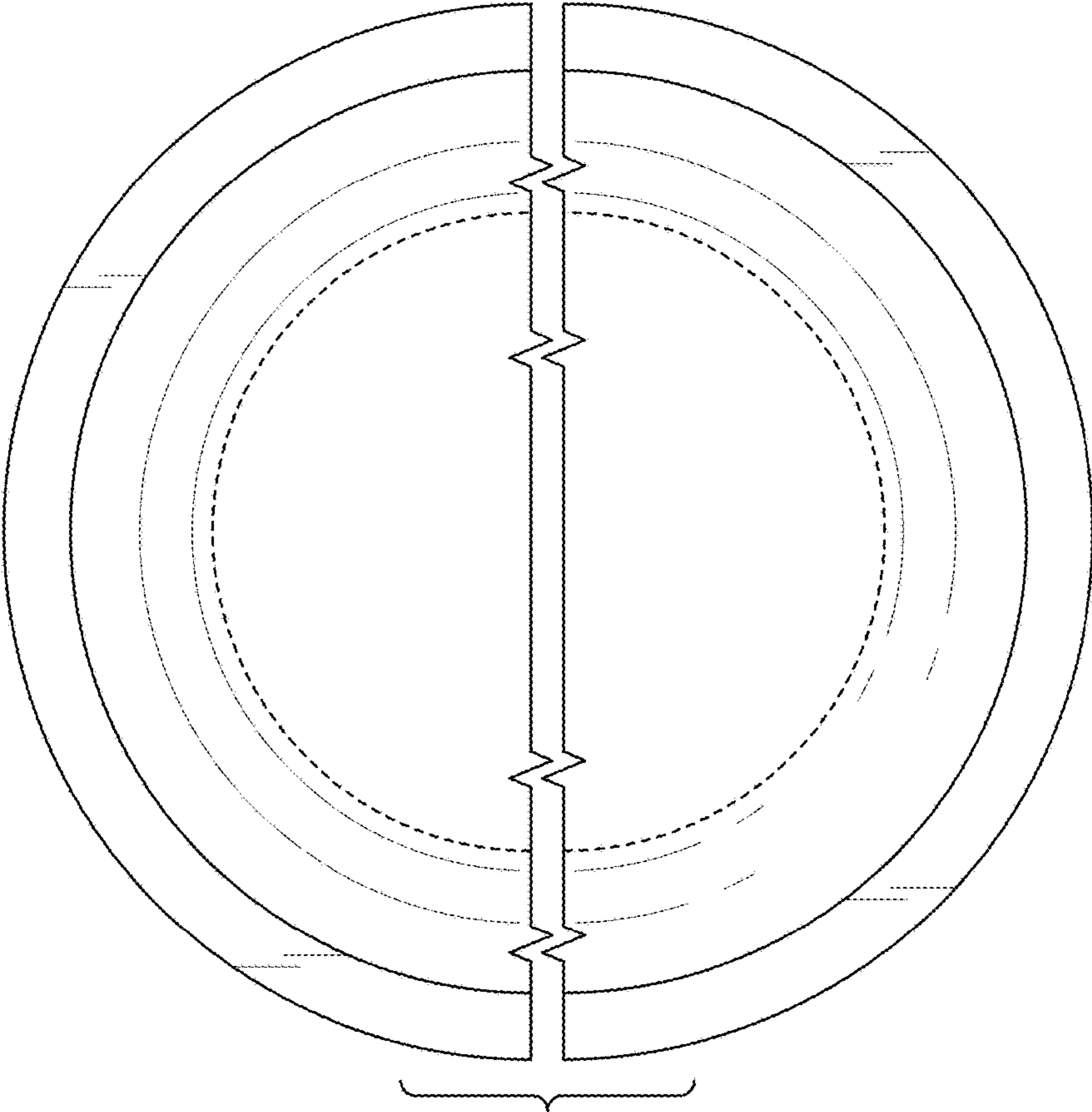


FIG. 7