



US00D868998S

(12) **United States Design Patent**
Cowling et al.

(10) **Patent No.:** **US D868,998 S**
(45) **Date of Patent:** **** Dec. 3, 2019**

- (54) **GATE**
- (71) Applicant: **DeLaval Holding AB**, Tumba (SE)
- (72) Inventors: **Tony Cowling**, Tumba (SE); **Jeffery Gallagher**, Tumba (SE); **Scott Pawlowicz**, Tumba (SE)
- (73) Assignee: **DELAVAL HOLDING AB**, Tumba (SE)
- (**) Term: **15 Years**
- (21) Appl. No.: **29/644,619**
- (22) Filed: **Apr. 19, 2018**
- (51) **LOC (12) Cl.** **25-02**
- (52) **U.S. Cl.**
USPC **D25/48.5**; D30/119
- (58) **Field of Classification Search**
USPC D25/39, 40, 48.1, 48.3, 48.5, 138, 149;
D30/108, 112, 113, 119; 256/73
CPC A01K 1/0017; A01K 3/002; A01K 1/0209;
A01K 1/12; E06B 7/32; E06B 11/00;
E06B 11/02; E05B 65/0007
See application file for complete search history.

- D714,961 S * 10/2014 Alarcon D25/48.5
- D714,962 S * 10/2014 Alarcon D25/48.5
- D789,620 S * 6/2017 Hampel D30/119

OTHER PUBLICATIONS

DeLaval Parlor milking system Facebook https://www.facebook.com/DeLavalUS/photos/a.805354006217677/2182596565160074/?type=3&eid=ARBCBaaj3qTwiByoDMDc9OvjLZvXdPM9CUBnKcd-chXfUDArar8rUAszlHAF0Lu46mpMx8mO2k_cq4zZZ&_xts_%5B0%5D=68.

ARBdMNdCBMTUbsvcnbjVslRwLGivGBGMLMRDDG_ (Year: 2019).*

DeLaval Parallel parlor p500 system brochure https://www.delaval.com/globalassets/inriver-resources/document/brochure/parlor-p500-system-brochure_fina_lr_single-page.pdf Apr. 29, 2019 (Year: 2019).*

* cited by examiner

Primary Examiner — Leanne Was-Englehart
(74) *Attorney, Agent, or Firm* — Young & Thompson

(57) **CLAIM**

The ornamental design for an gate, as shown and described.

DESCRIPTION

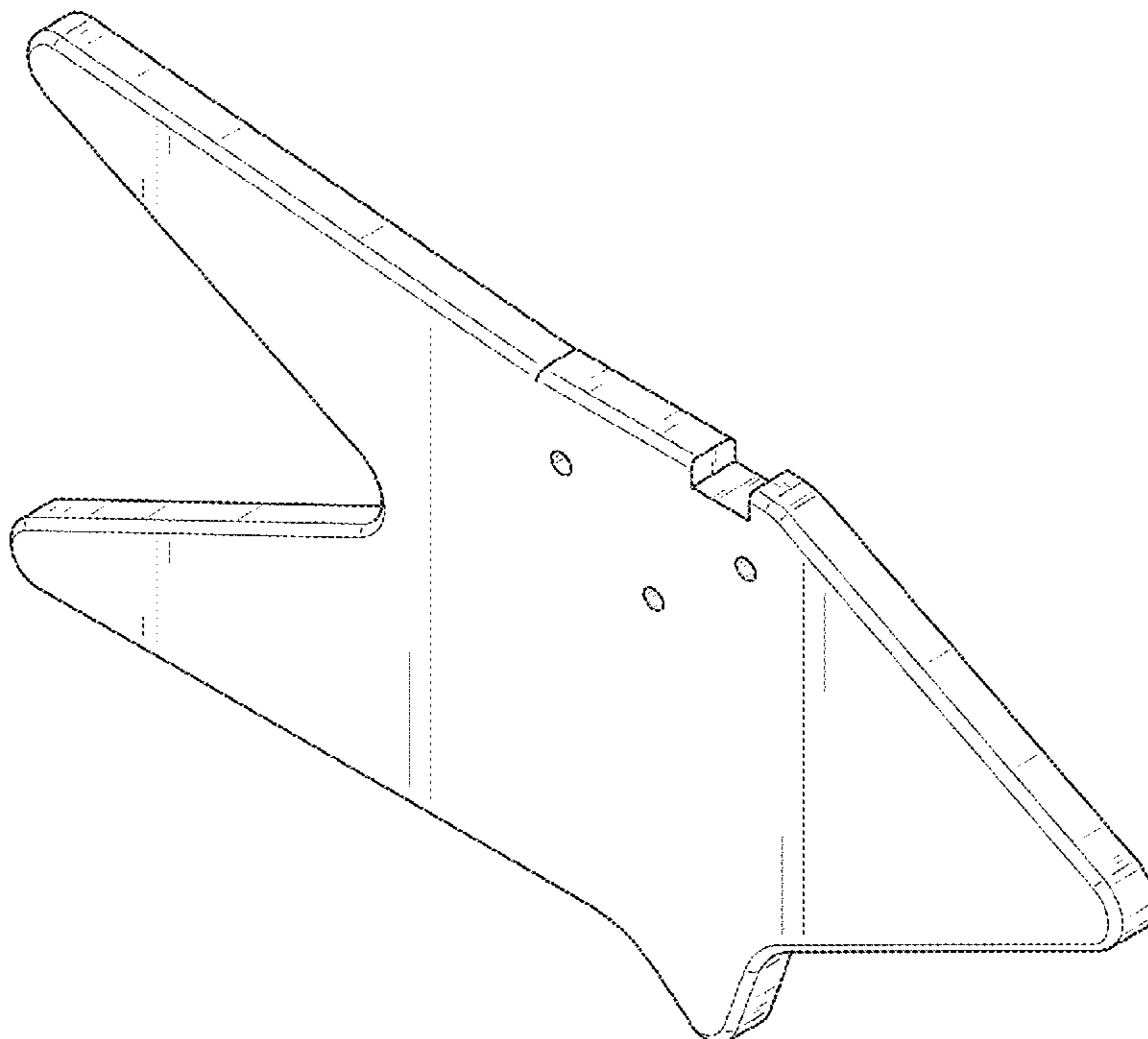
FIG. 1 is a front, left side, and top perspective view of an gate showing the new design;
FIG. 2 is a front elevation view thereof;
FIG. 3 is a rear elevation view thereof;
FIG. 4 is a right side elevation view thereof;
FIG. 5 is a left side elevation view thereof;
FIG. 6 is a top plan view thereof; and,
FIG. 7 is a bottom view thereof.

1 Claim, 5 Drawing Sheets

(56) **References Cited**

U.S. PATENT DOCUMENTS

- D416,633 S * 11/1999 Horton D25/138
- D448,855 S * 10/2001 Blackwood D25/48.5
- D612,065 S * 3/2010 Simmons D25/48.5
- D659,261 S * 5/2012 Thomas D25/48.5
- D665,920 S * 8/2012 Glaser D25/48.5
- D692,621 S * 10/2013 Ganahl D30/119



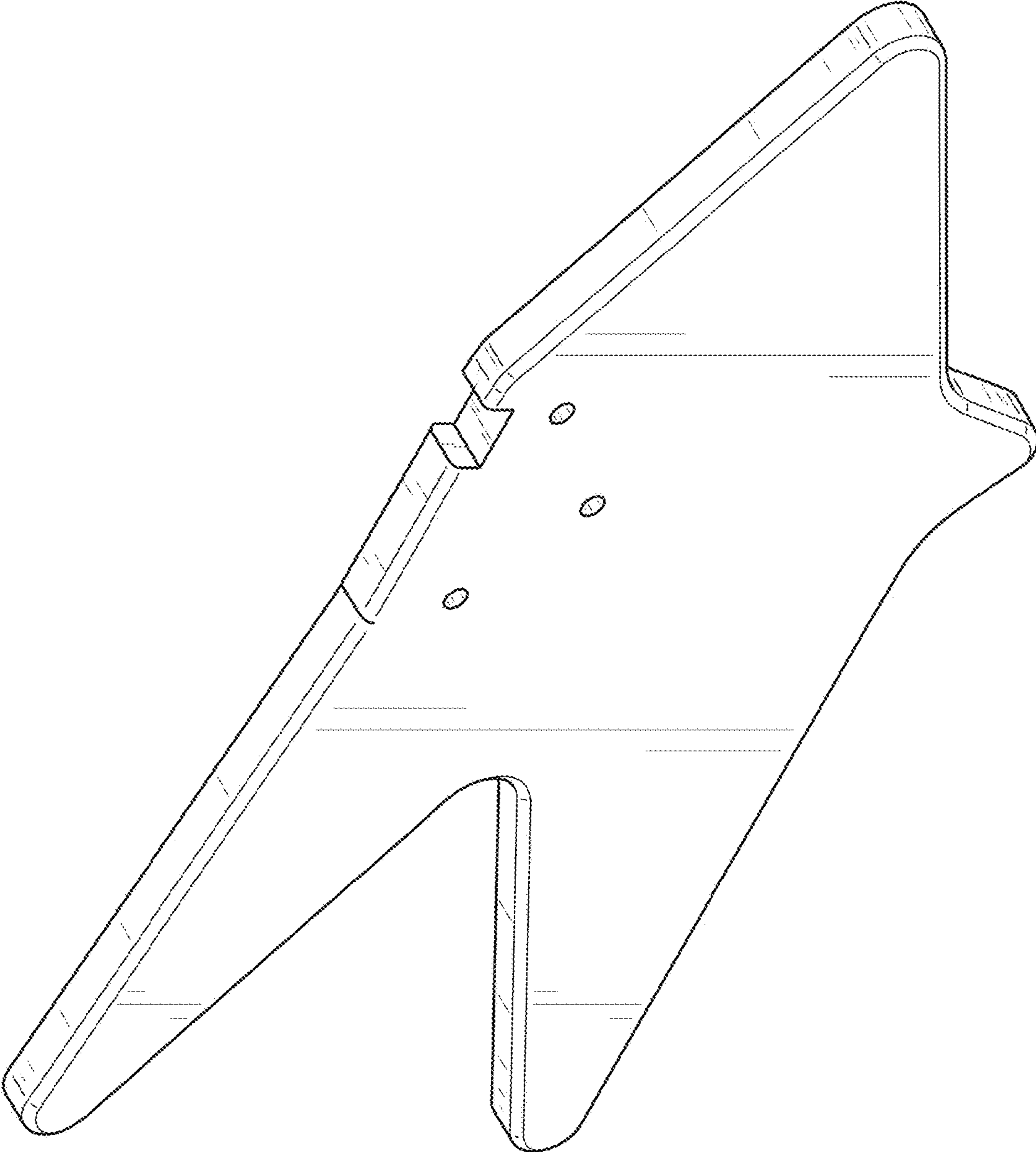


FIG. 1

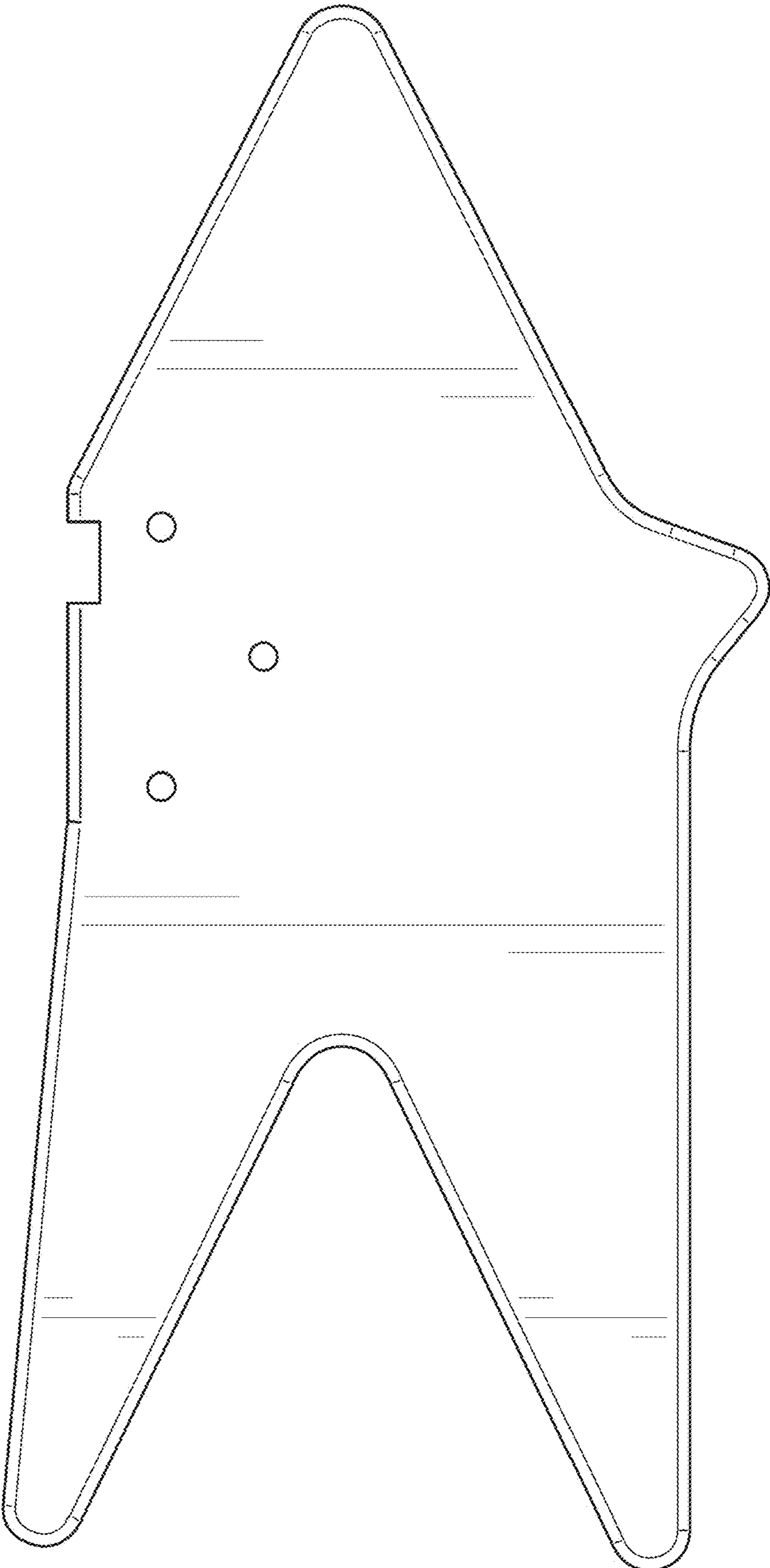


FIG. 2

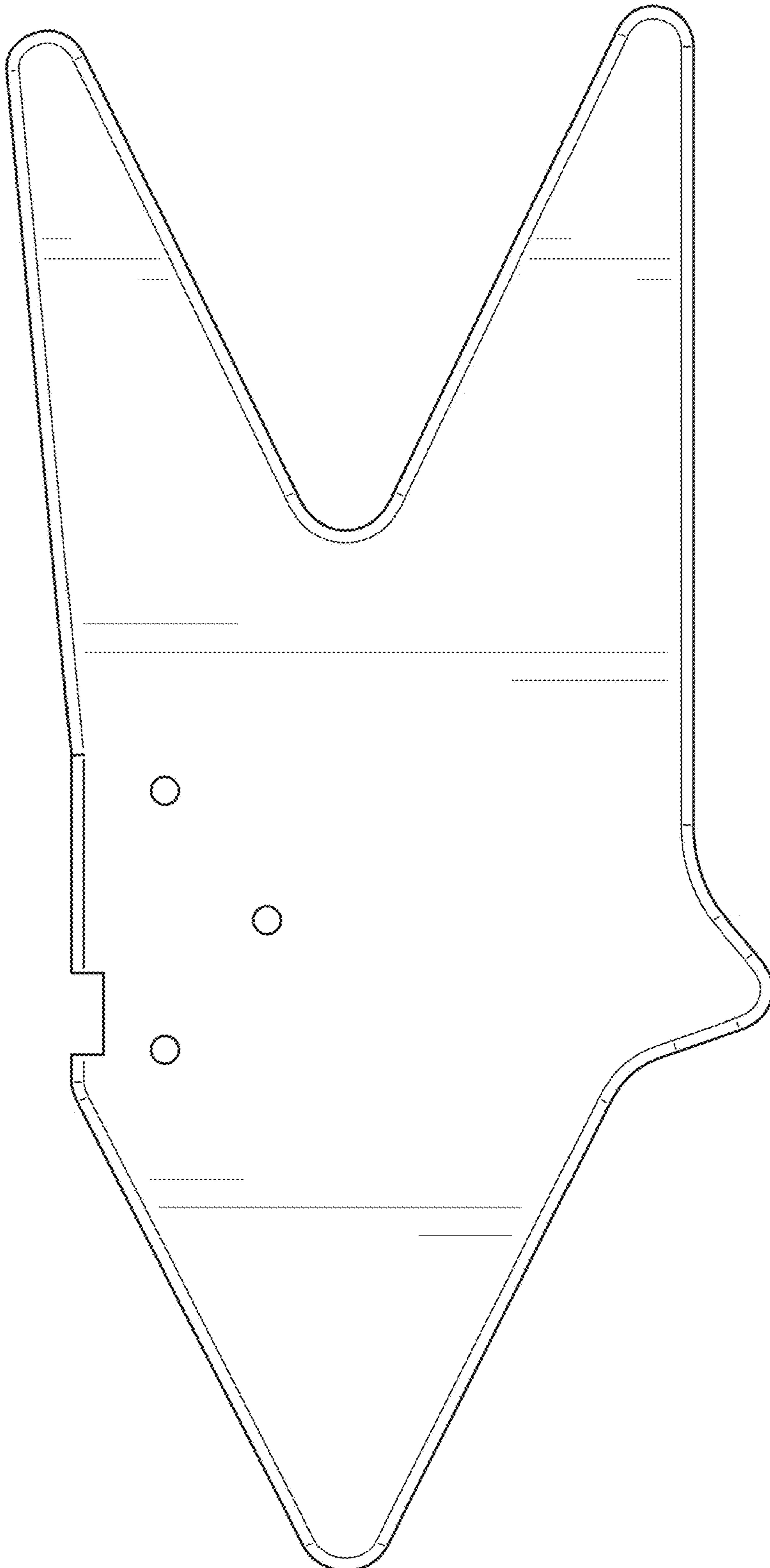


FIG. 3

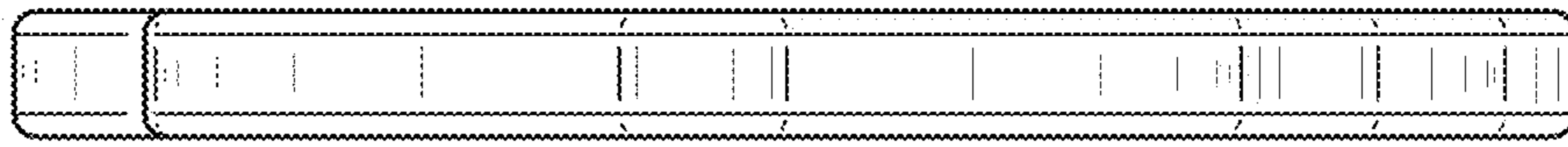


FIG. 5

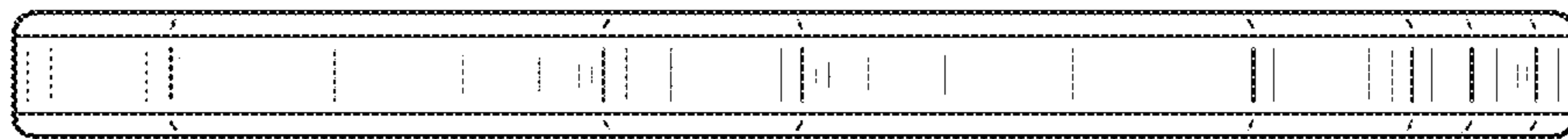


FIG. 4

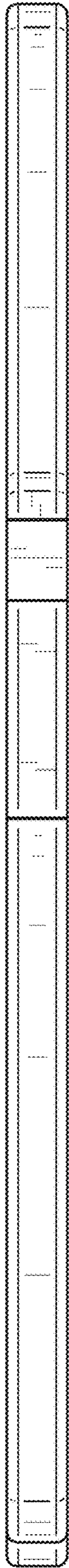


FIG. 6



FIG. 7