



US00D868997S

(12) **United States Design Patent** (10) **Patent No.:** **US D868,997 S**
Eubanks (45) **Date of Patent:** **** Dec. 3, 2019**

(54) **SCOPE WARMER APPARATUS**
(71) Applicant: **ADVENTIST HEALTH SYSTEM/SUNBELT, INC.**, Altamonte Springs, FL (US)
(72) Inventor: **Steve Eubanks**, Winter Park, FL (US)
(73) Assignee: **ADVENTIST HEALTH SYSTEM/SUNBELT, INC.**, Altamonte Springs, FL (US)

9,060,676 B2 6/2015 Blackhurst et al.
9,326,667 B2 5/2016 Kammer et al.
D765,840 S 9/2016 Miller et al.
D767,131 S * 9/2016 Gomez D24/138
9,526,409 B2 12/2016 Gomez et al.
2002/0022762 A1 2/2002 Beane et al.
2006/0293559 A1 12/2006 Grice et al.
2014/0088366 A1 3/2014 Solingen
2016/0022128 A1 1/2016 Temple
2016/0135673 A1 5/2016 Miller et al.
2019/0059713 A1* 2/2019 Allen A61B 1/121
2019/0082945 A1* 3/2019 Eubanks A61B 1/127

(**) Term: **15 Years**

(21) Appl. No.: **29/617,851**

(22) Filed: **Sep. 15, 2017**

(51) **LOC (12) Cl.** **24-01**

(52) **U.S. Cl.**
USPC **D24/232; D24/137**

(58) **Field of Classification Search**
USPC D24/107, 185, 186, 216, 231-234, 137, D24/138, 217; D10/81
CPC A61B 1/123; A61B 1/125; A61B 1/127; B08B 3/10; B08B 3/123; H04N 9/735; G02B 23/2476; G02B 27/0006
See application file for complete search history.

(56) **References Cited**

U.S. PATENT DOCUMENTS

D288,128 S * 2/1987 White D24/197
D329,500 S * 9/1992 Arioka D24/217
D453,380 S * 2/2002 Waluszko D24/216
D459,481 S * 6/2002 Levin D24/232
D472,325 S * 3/2003 Walker D24/232
D645,975 S * 9/2011 Barkey D24/232
8,152,717 B2 4/2012 Gomez

FOREIGN PATENT DOCUMENTS

WO 2015/051098 A1 4/2015
WO 2017/079318 A1 5/2017

* cited by examiner

Primary Examiner — Anhdao Doan

(74) *Attorney, Agent, or Firm* — McCarter & English, LLP; Matthew R. Van Eman; George Blazeski

(57) **CLAIM**

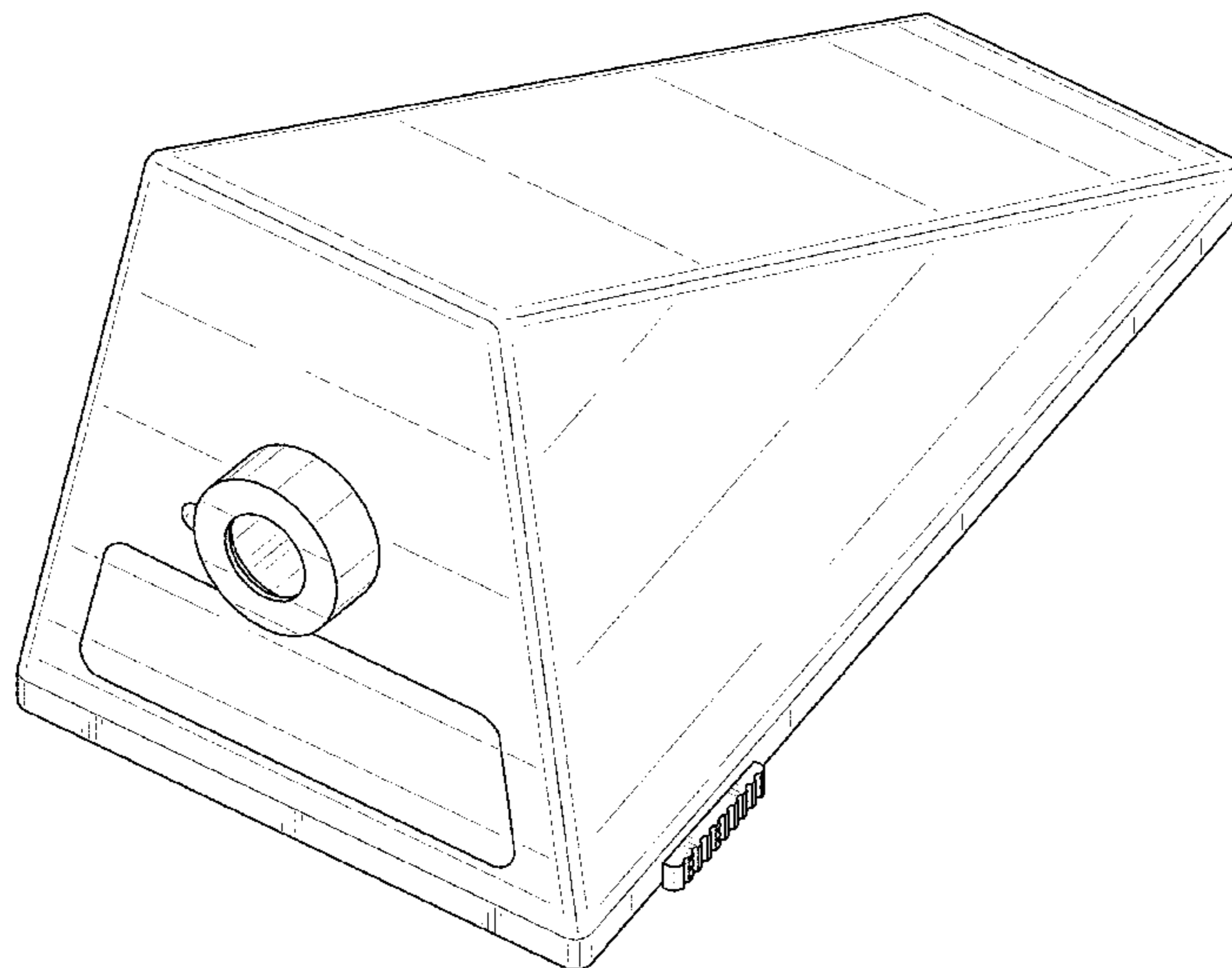
The ornamental design for a scope warmer apparatus, as shown and described.

DESCRIPTION

FIG. 1 is a perspective view of a scope warmer apparatus; FIG. 2 is a front end view thereof; FIG. 3 is a back end view thereof; FIG. 4 is a left side view thereof; FIG. 5 is a right side view thereof; FIG. 6 is a top view thereof; and, FIG. 7 is a bottom view thereof.

The broken lines in FIG. 2 illustrate a portion of the scope warmer apparatus that forms no part of the claimed design.

1 Claim, 7 Drawing Sheets



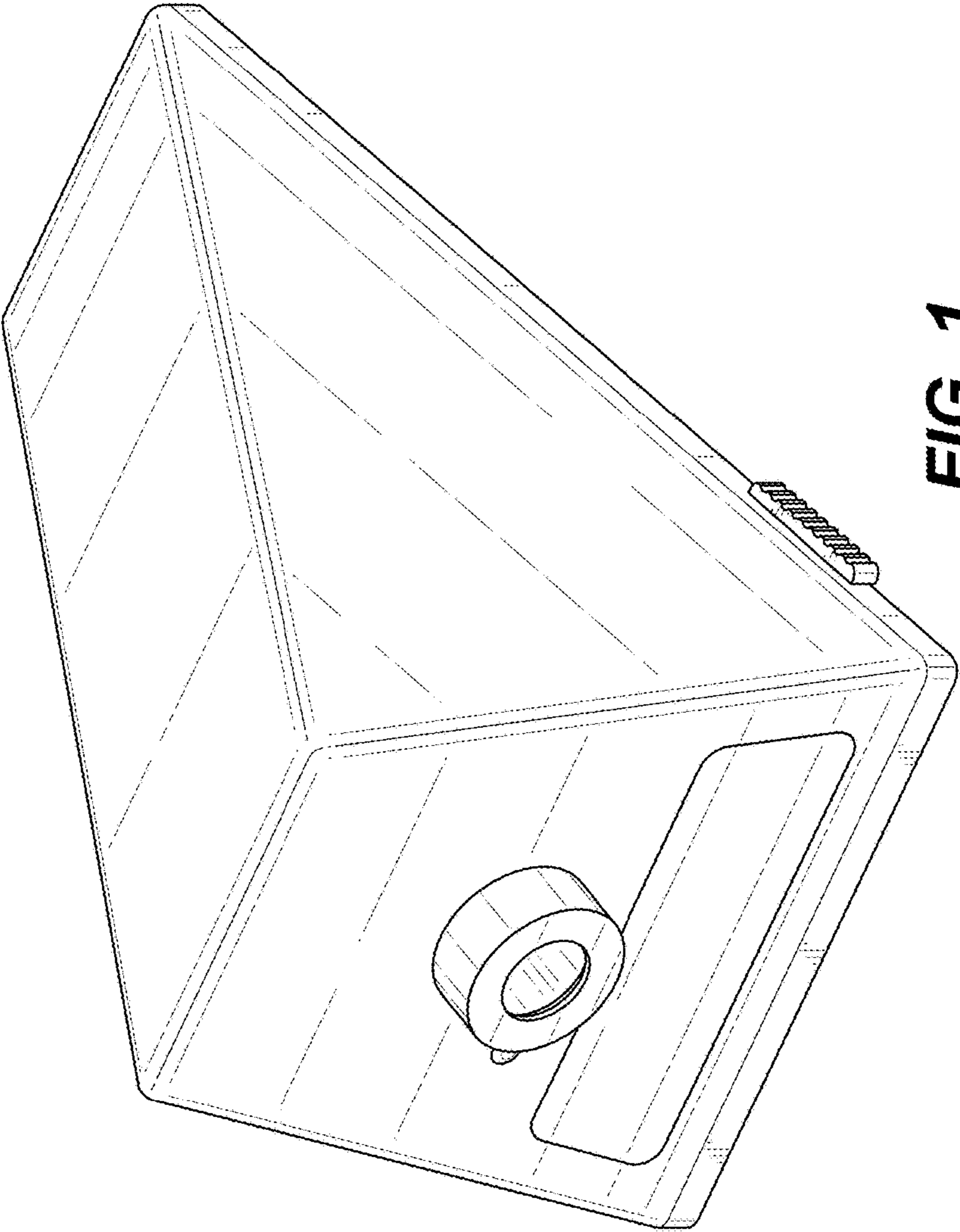


FIG. 1

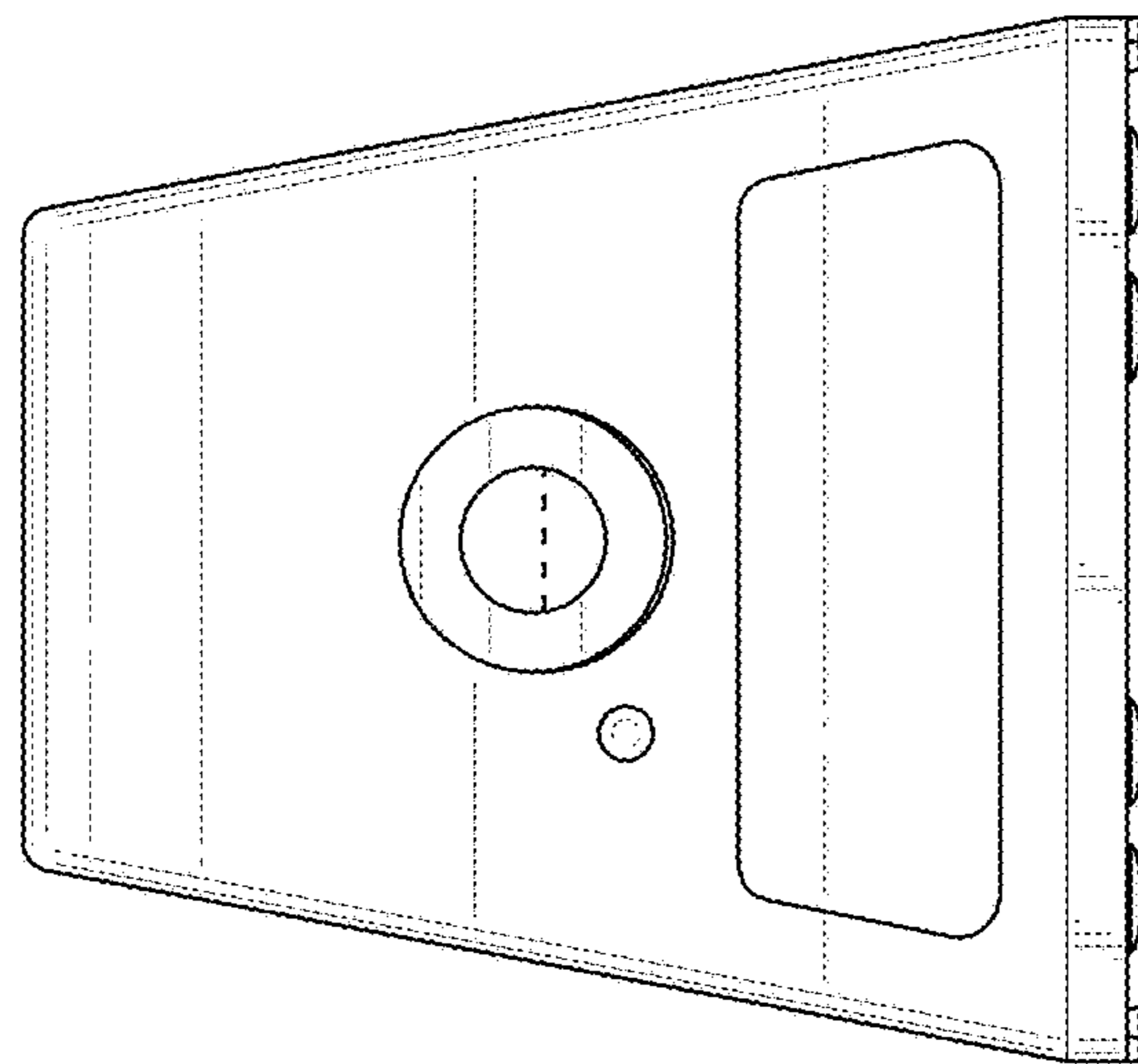


FIG. 2

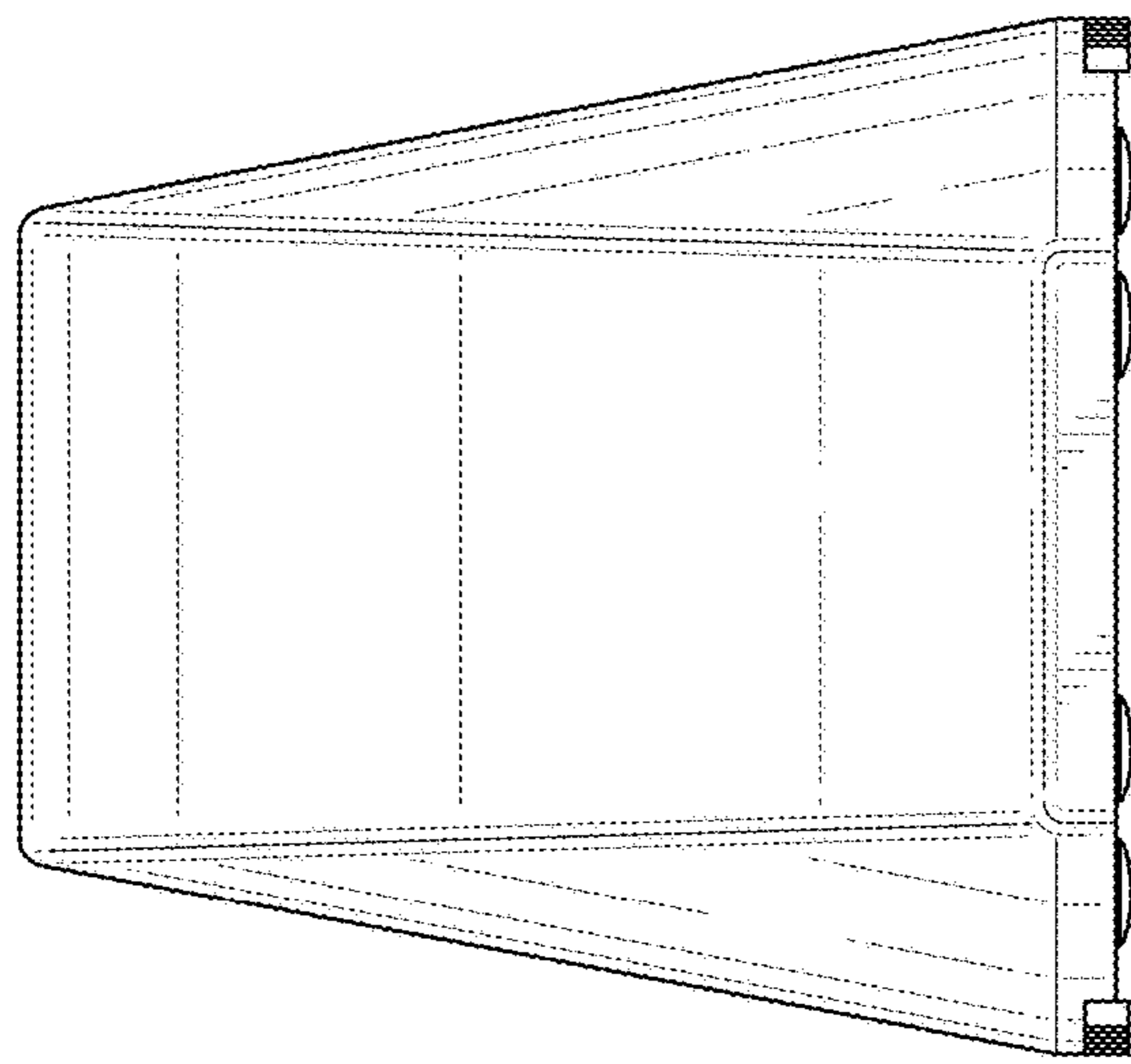


FIG. 3

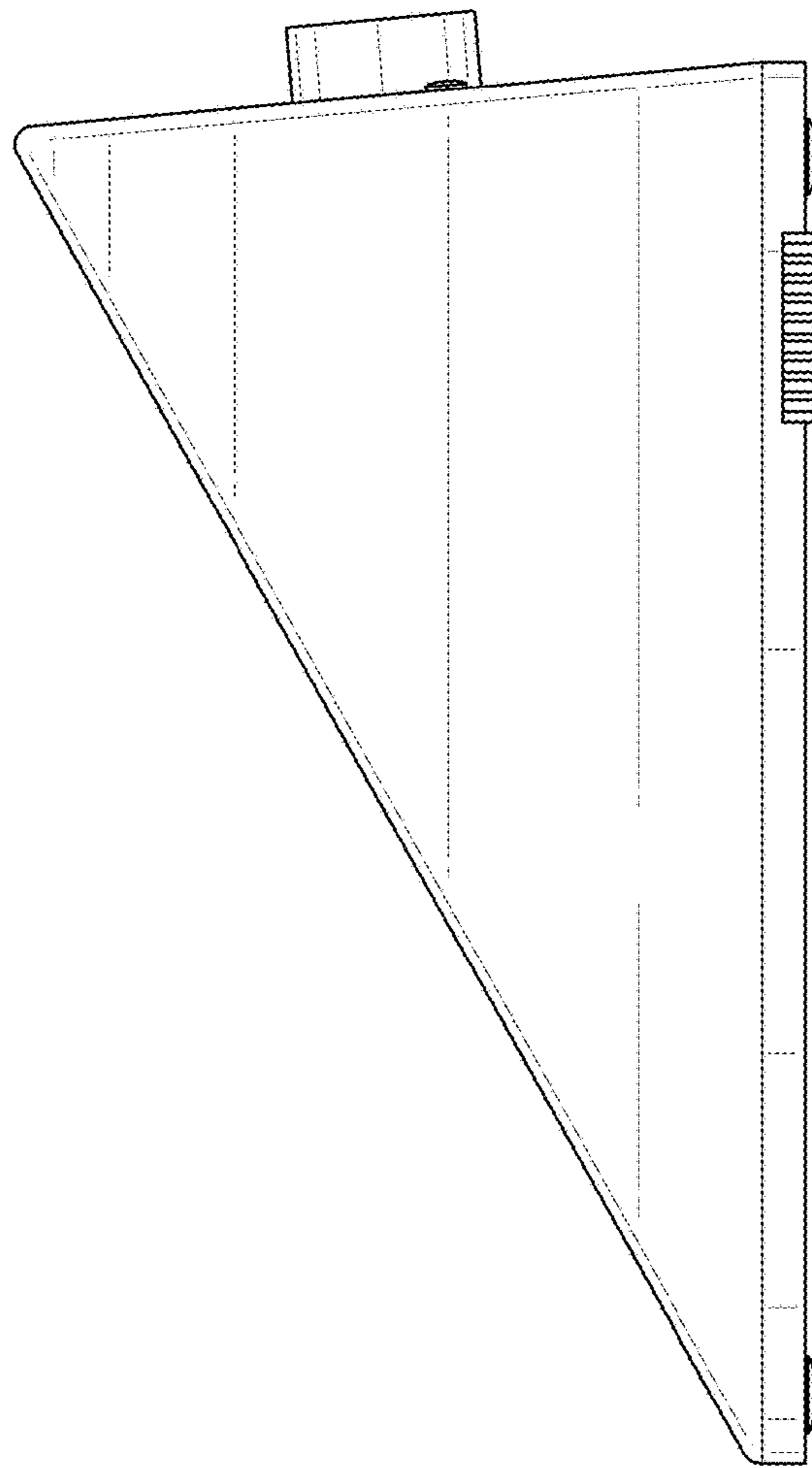


FIG. 4

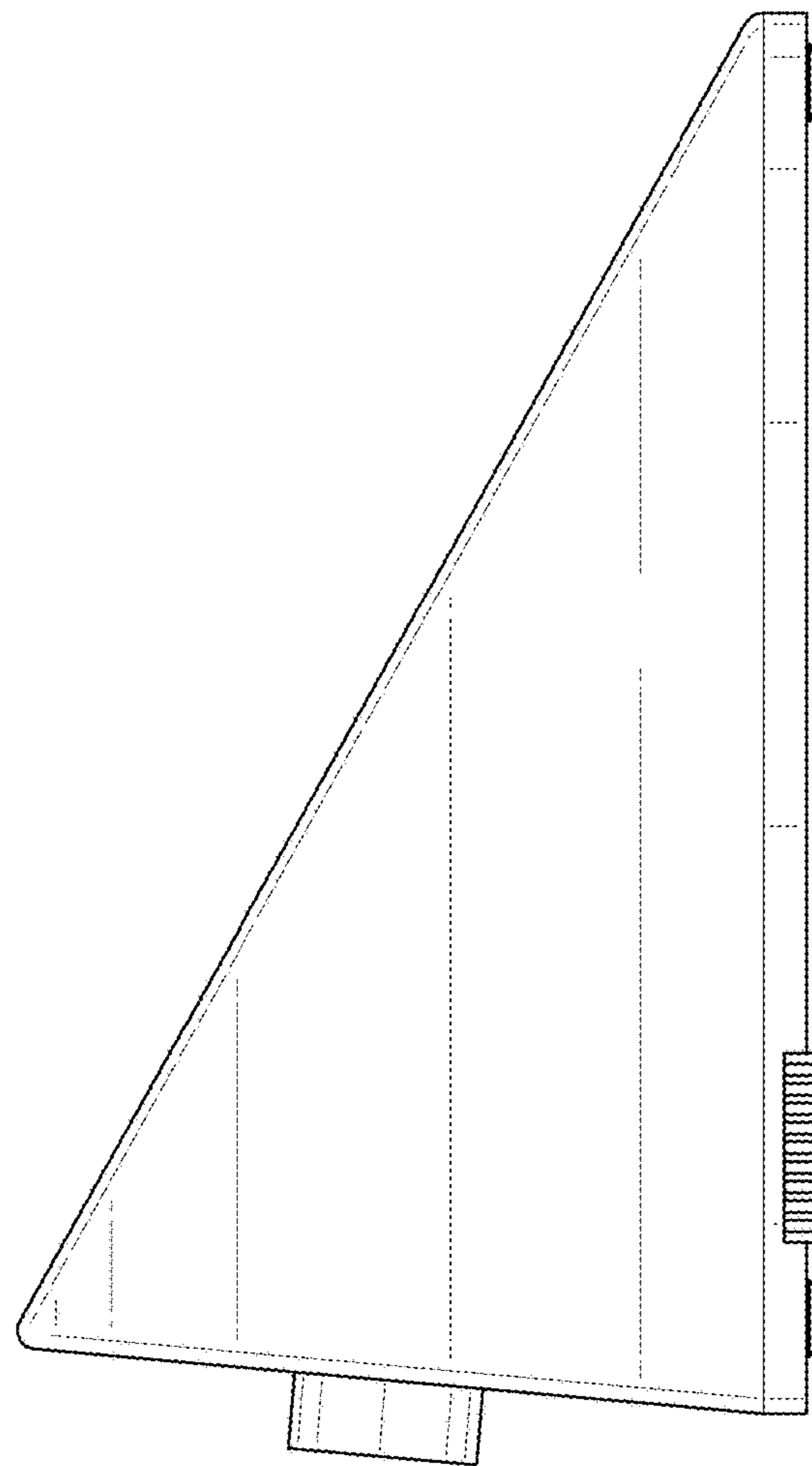


FIG. 5

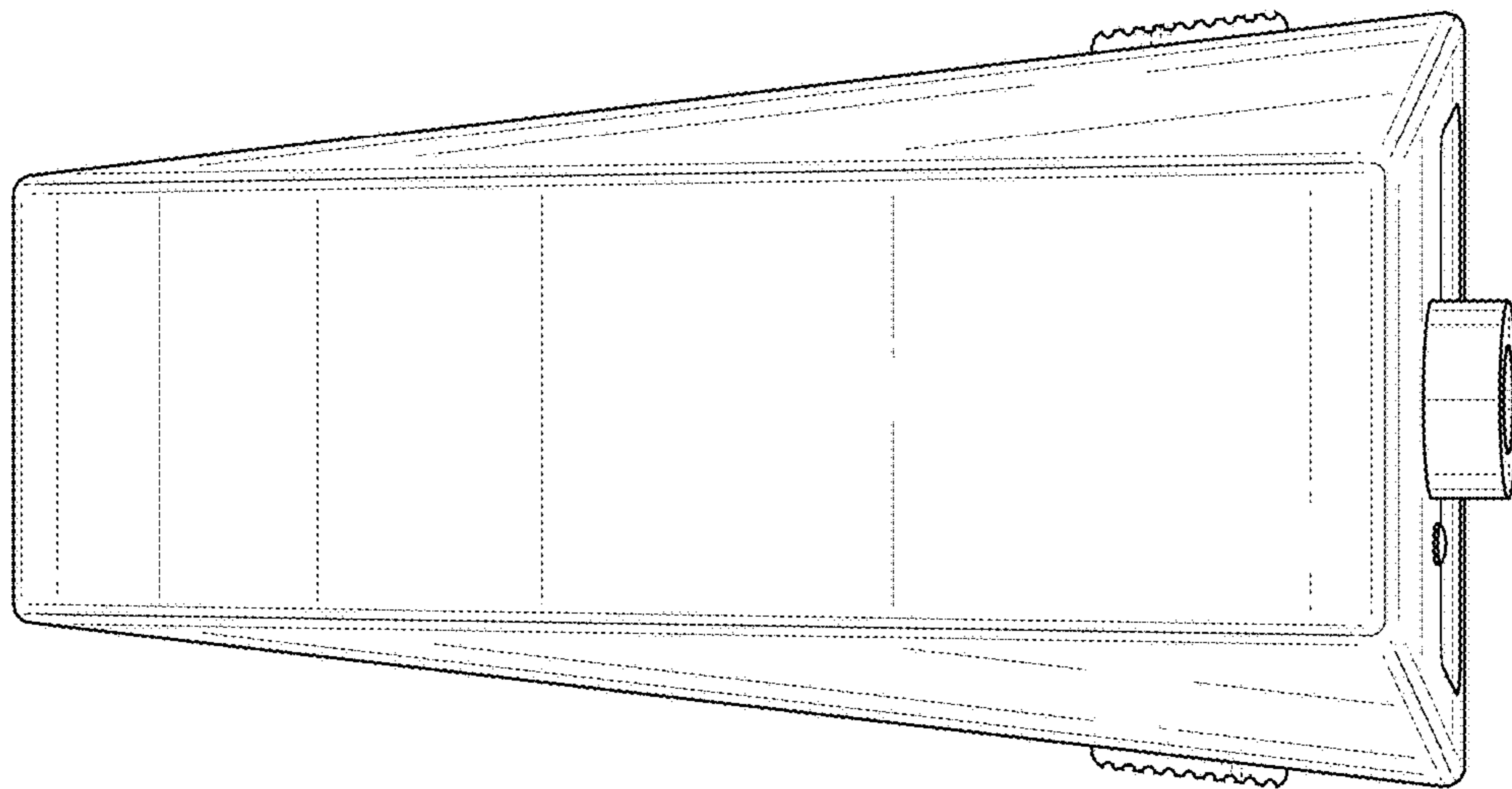


FIG. 6

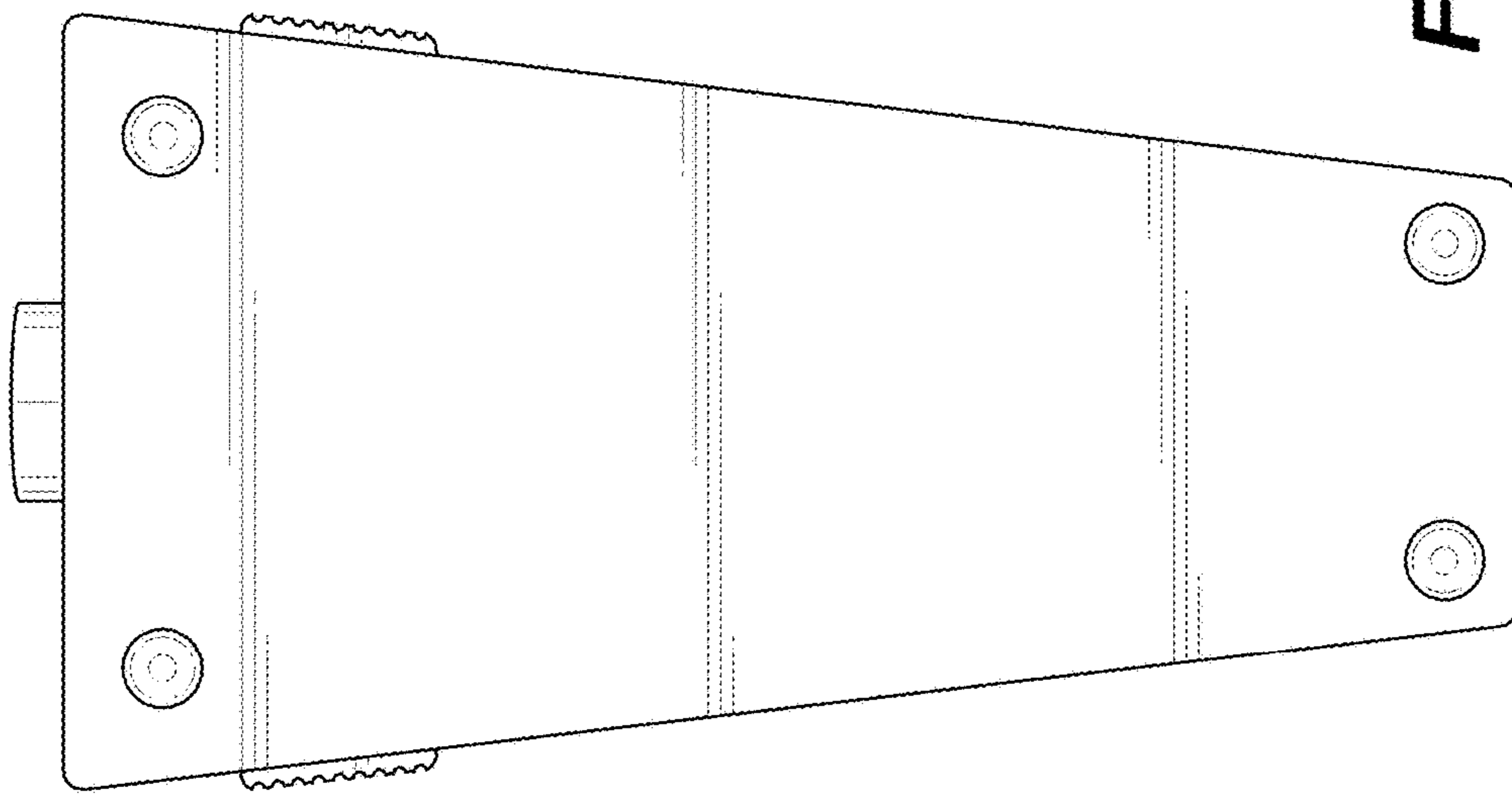


FIG. 7