



US00D868994S

(12) **United States Design Patent** (10) **Patent No.:** **US D868,994 S**
Feng et al. (45) **Date of Patent:** **** Dec. 3, 2019**

(54) **IMMUNE RESPONSE CUP**
(71) Applicant: **Shenzhen New Industries Biomedical Engineering Co., Ltd**, Shenzhen (CN)
(72) Inventors: **Shiming Feng**, Shenzhen (CN); **Yi Hu**, Shenzhen (CN); **Dingping Ban**, Shenzhen (CN)

D457,247 S * 5/2002 Itheme D24/216
D620,590 S * 7/2010 Wan D24/121
D634,441 S * 3/2011 Sattler D24/224
D652,148 S * 1/2012 Matsuura D24/224
D672,052 S * 12/2012 Bucher D24/224
D679,413 S * 4/2013 Bucher D24/224
D764,679 S * 8/2016 Franciskovich D24/224
D808,036 S * 1/2018 Langhoff D24/224
D839,448 S * 1/2019 Langhoff D24/224

(73) Assignee: **SHENZHEN NEW INDUSTRIES BIOMEDICAL ENGINEERING CO., LTD.**, Shenzhen (CN)

FOREIGN PATENT DOCUMENTS

CN 201730217878 * 6/2017

(**) Term: **15 Years**

* cited by examiner

(21) Appl. No.: **29/645,589**

Primary Examiner — Susan Bennett Hattan

(22) Filed: **Apr. 27, 2018**

Assistant Examiner — Omeed Agilee

(30) **Foreign Application Priority Data**

(74) *Attorney, Agent, or Firm* — McAndrews, Held & Malloy, Ltd.

Oct. 30, 2017 (CN) 2017 3 0521115

(51) **LOC (12) Cl.** **24-02**

(52) **U.S. Cl.**
USPC **D24/224**

(58) **Field of Classification Search**
USPC D24/107, 169, 186, 216, 223–230;
D3/203.1, 203.3; D9/759, 760;
D7/550.1, 553.1, 553.3, 698
CPC G01N 21/0303; B01L 3/508
See application file for complete search history.

(57) **CLAIM**

The ornamental design for an immune response cup, as shown and described.

(56) **References Cited**

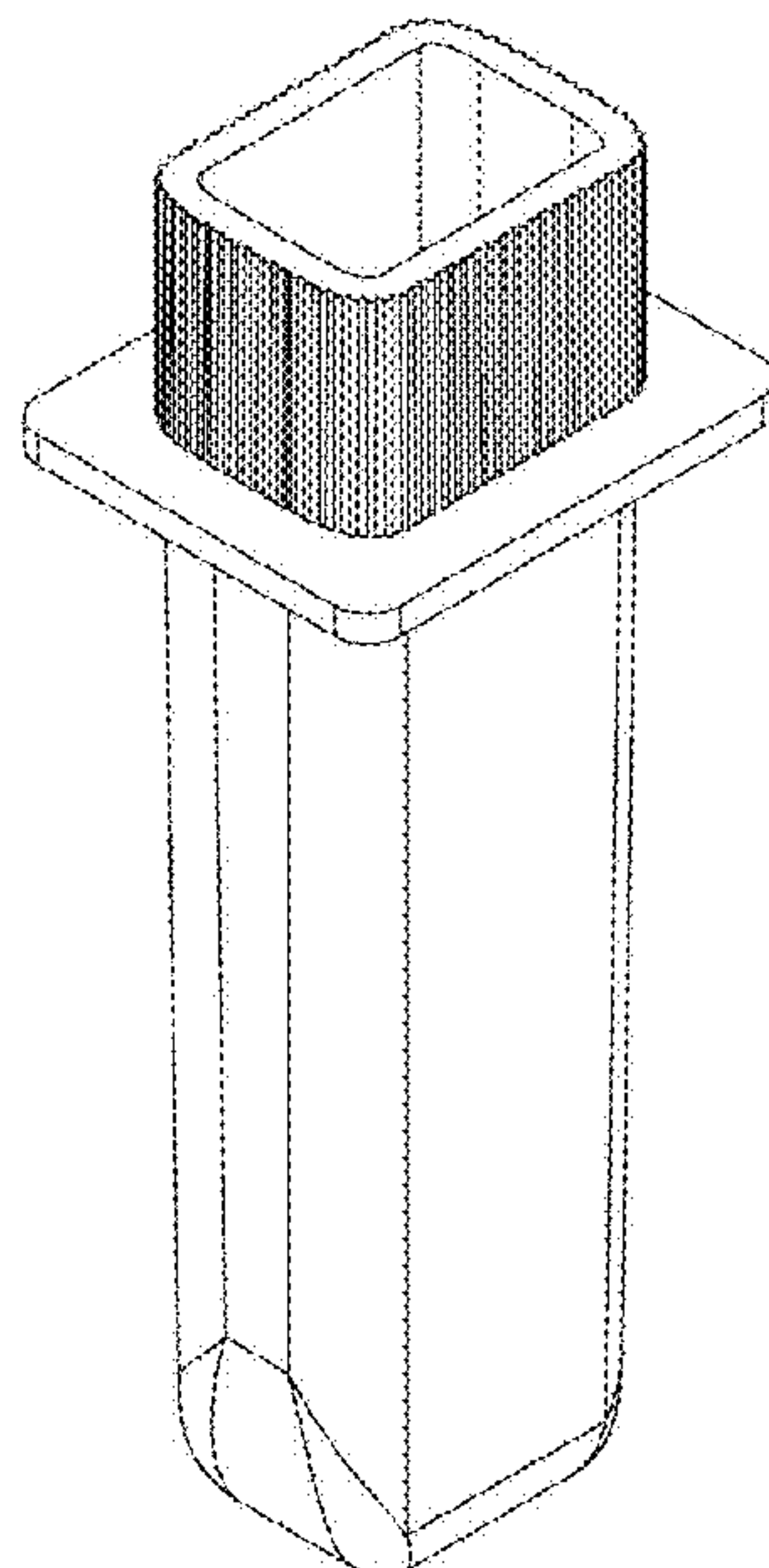
U.S. PATENT DOCUMENTS

D330,428 S * 10/1992 Lewis D24/224
D342,793 S * 12/1993 Balmer D24/224
D356,643 S * 3/1995 Burns D24/224
D445,908 S * 7/2001 Conway D24/216

DESCRIPTION

FIG. 1 is a top perspective view of an immune response cup showing our new design;
FIG. 2 is a front elevation view thereof;
FIG. 3 is a rear elevation view thereof;
FIG. 4 is a left side elevation view thereof;
FIG. 5 is a right side elevation view thereof;
FIG. 6 is a top plan view thereof;
FIG. 7 is a bottom plan view thereof; and,
FIG. 8 is a bottom perspective view thereof.
The broken lines in the drawings illustrate portions of the immune response cup that form no part of the claimed design.

1 Claim, 8 Drawing Sheets



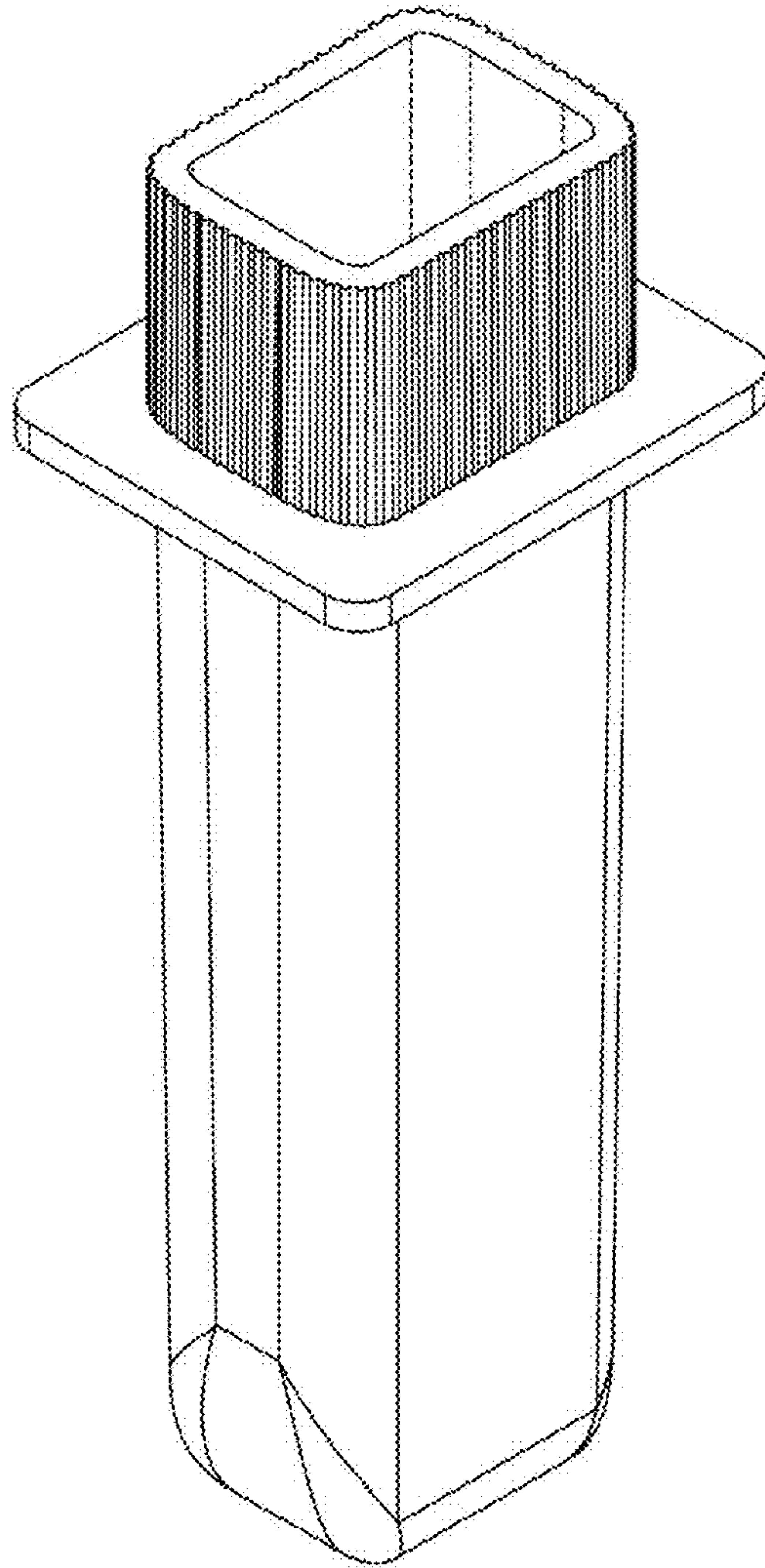


FIG. 1

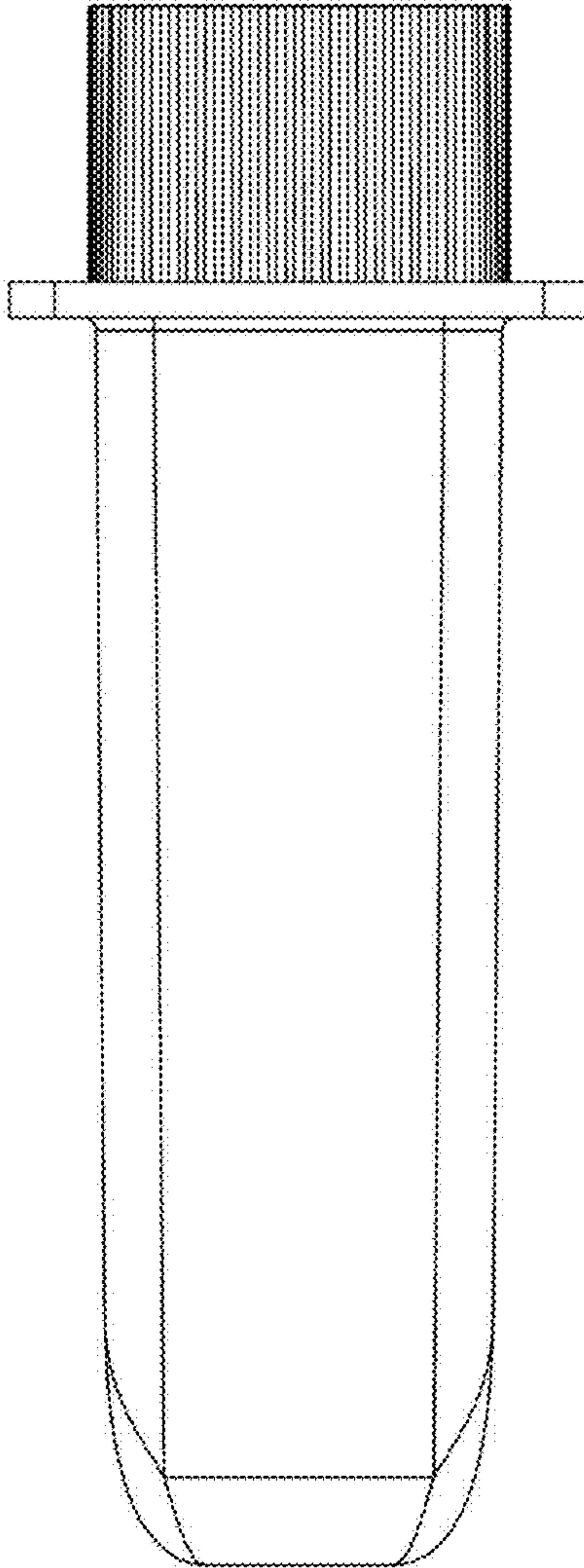


FIG. 2

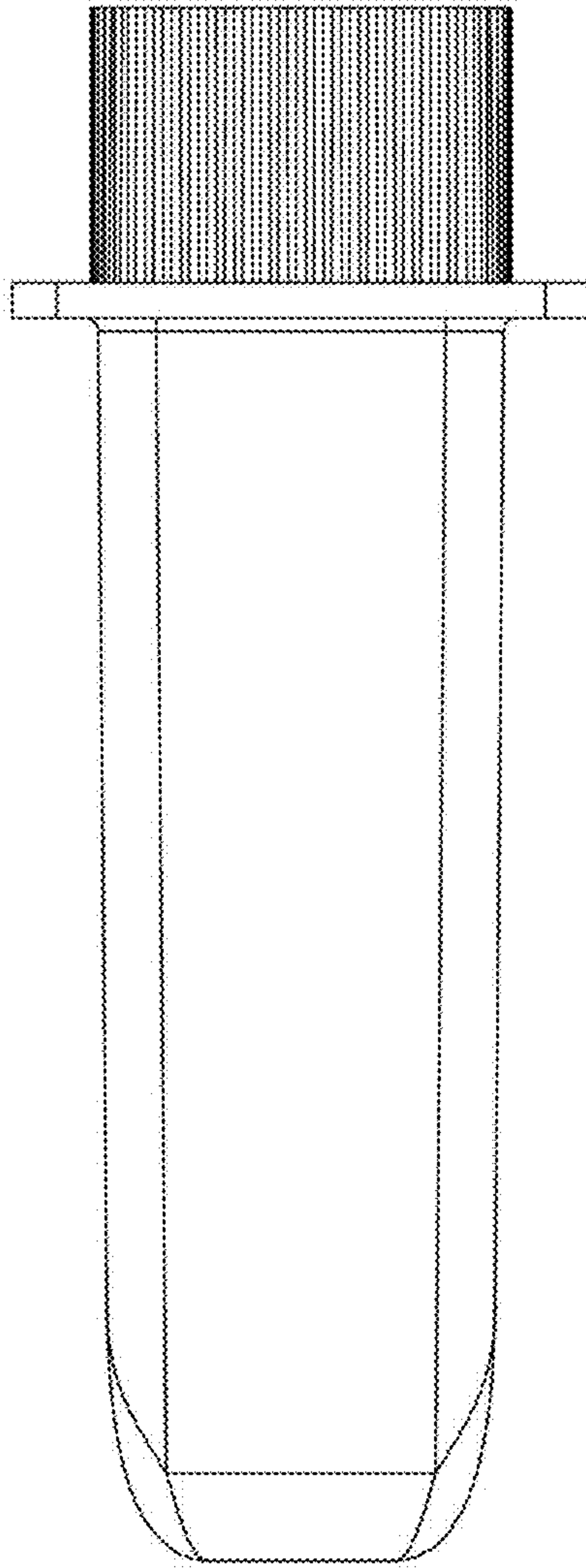


FIG. 3

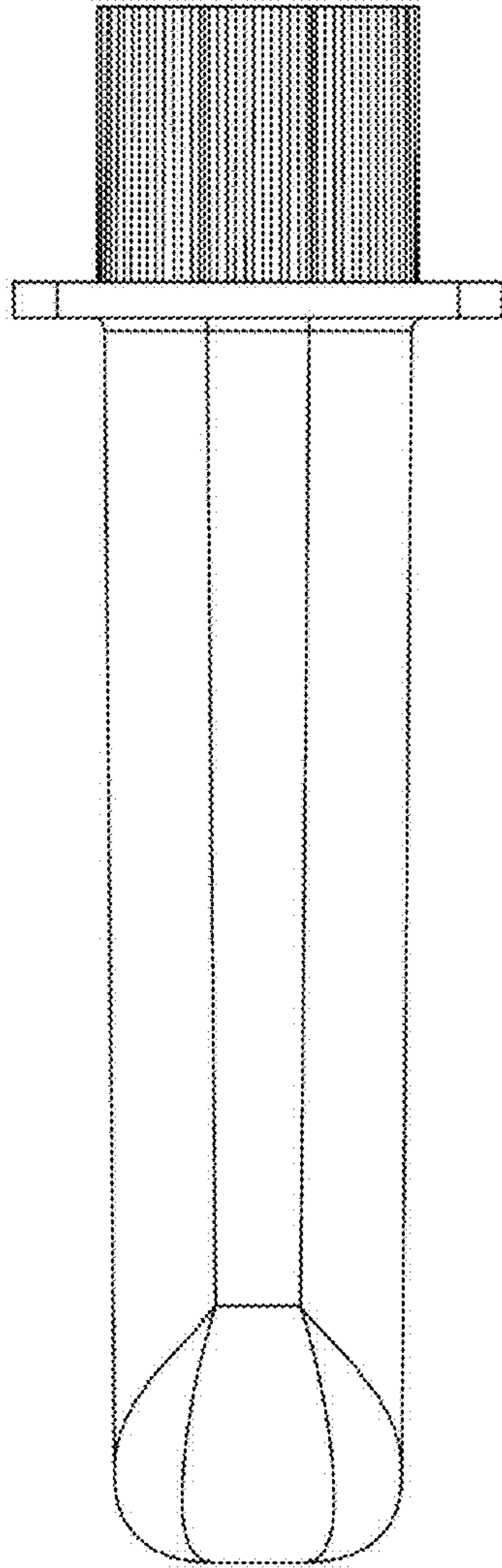


FIG. 4

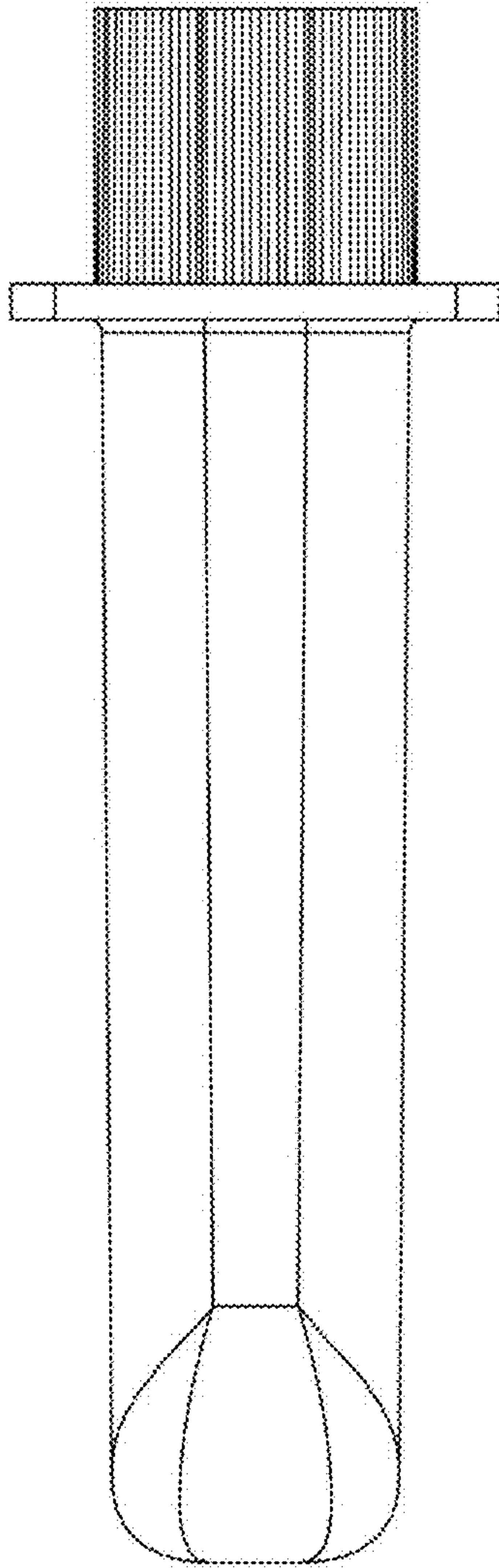


FIG. 5

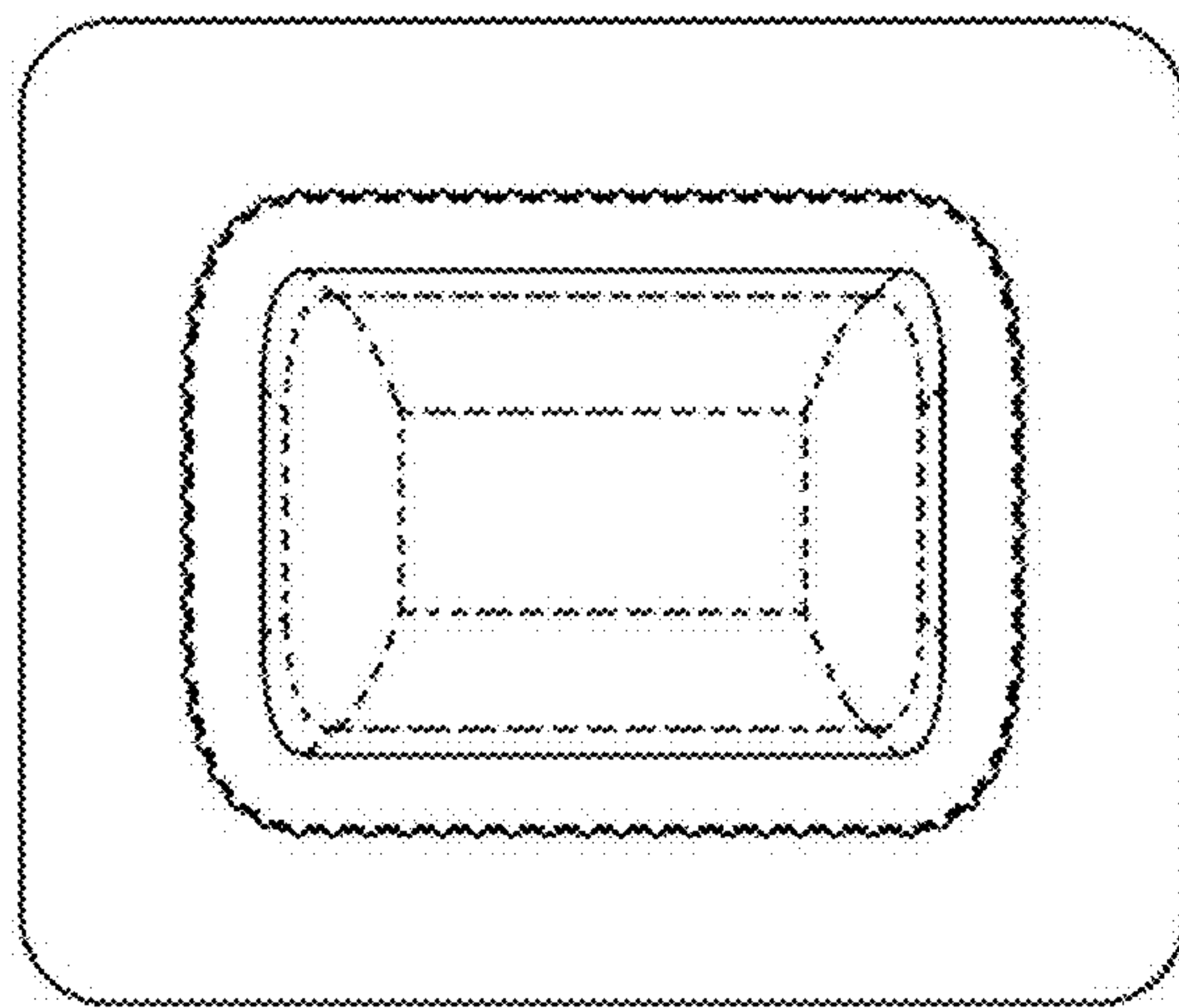


FIG. 6

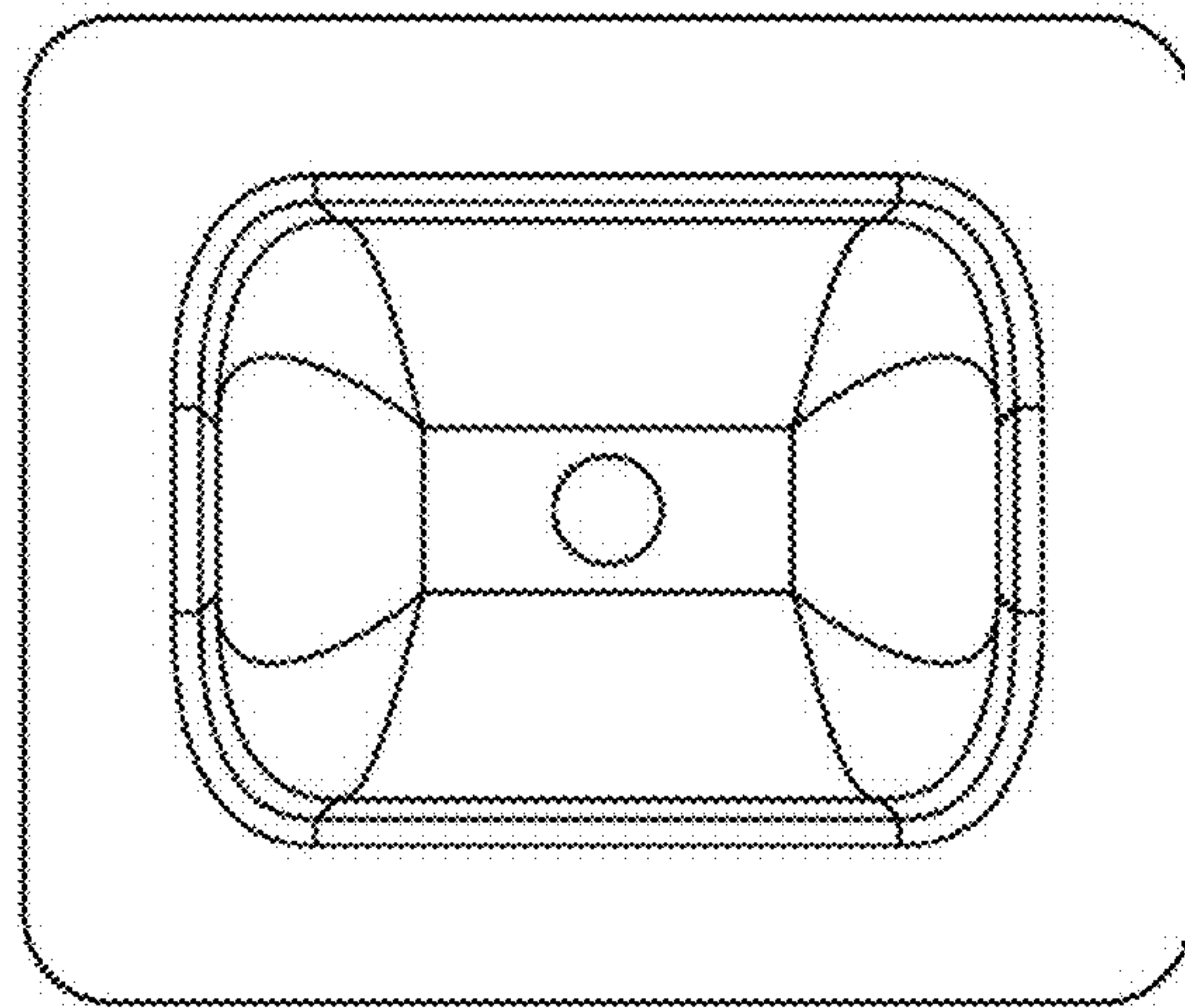


FIG. 7

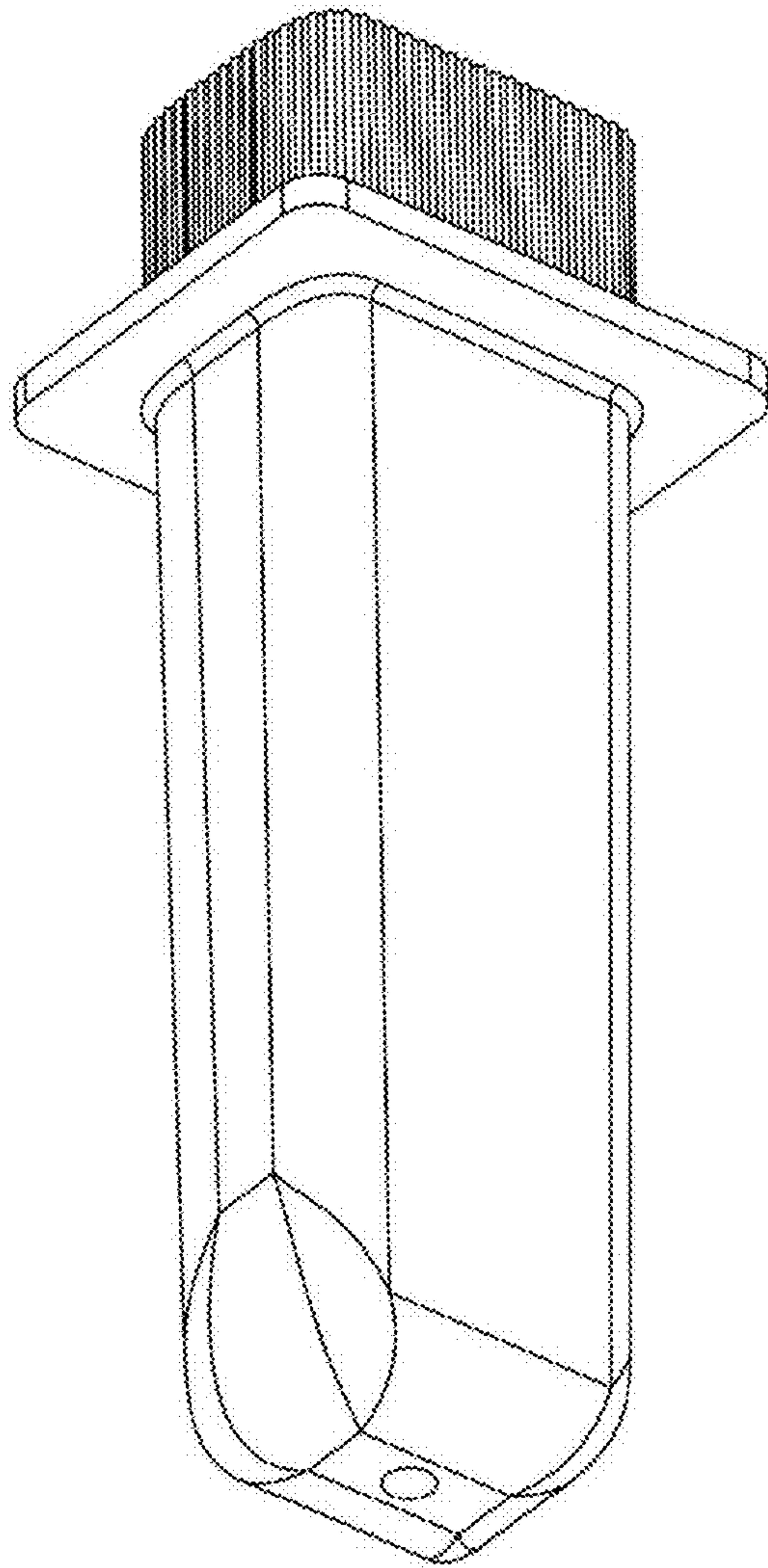


FIG. 8