

US00D868993S

(12) **United States Design Patent** (10) **Patent No.:** **US D868,993 S**  
**Isozaki et al.** (45) **Date of Patent:** **\*\* Dec. 3, 2019**

(54) **ELECTRODE PLATE FOR A PLASMA PROCESSING APPARATUS**

(71) Applicant: **Hitachi High-Technologies Corporation**, Minato-ku, Tokyo (JP)

(72) Inventors: **Masakazu Isozaki**, Tokyo (JP); **Masahito Mori**, Tokyo (JP); **Kenetsu Yokogawa**, Tokyo (JP); **Takao Arase**, Tokyo (JP); **Takahisa Hashimoto**, Tokyo (JP)

(73) Assignee: **Hitachi High-Technologies Corporation**, Tokyo (JP)

(\*\*) Term: **15 Years**

(21) Appl. No.: **29/635,287**

(22) Filed: **Jan. 30, 2018**

(30) **Foreign Application Priority Data**

Aug. 31, 2017 (JP) ..... 2017-018889

(51) **LOC (12) Cl.** ..... **24-02**

(52) **U.S. Cl.**  
USPC ..... **D24/224**

(58) **Field of Classification Search**  
USPC ... D24/107, 110.6, 113, 129, 144, 206, 224,  
D24/193, 197, 168, 170, 187, 200;  
(Continued)

(56) **References Cited**

**U.S. PATENT DOCUMENTS**

D411,516 S \* 6/1999 Imafuku ..... D13/182  
D548,705 S \* 8/2007 Hayashi ..... D13/182  
(Continued)

**FOREIGN PATENT DOCUMENTS**

JP D1117165 S 8/2001  
JP D1142402 S 6/2002  
(Continued)

**OTHER PUBLICATIONS**

Silicon Part. Online, published date unknown. Retrieved on Apr. 18, 2019 from URL: [http://www.daewonspic.com/english/si\\_en.jsp](http://www.daewonspic.com/english/si_en.jsp).  
(Continued)

*Primary Examiner* — Susan Bennett Hattan  
*Assistant Examiner* — Omeed Agilee  
(74) *Attorney, Agent, or Firm* — Crowell & Moring LLP

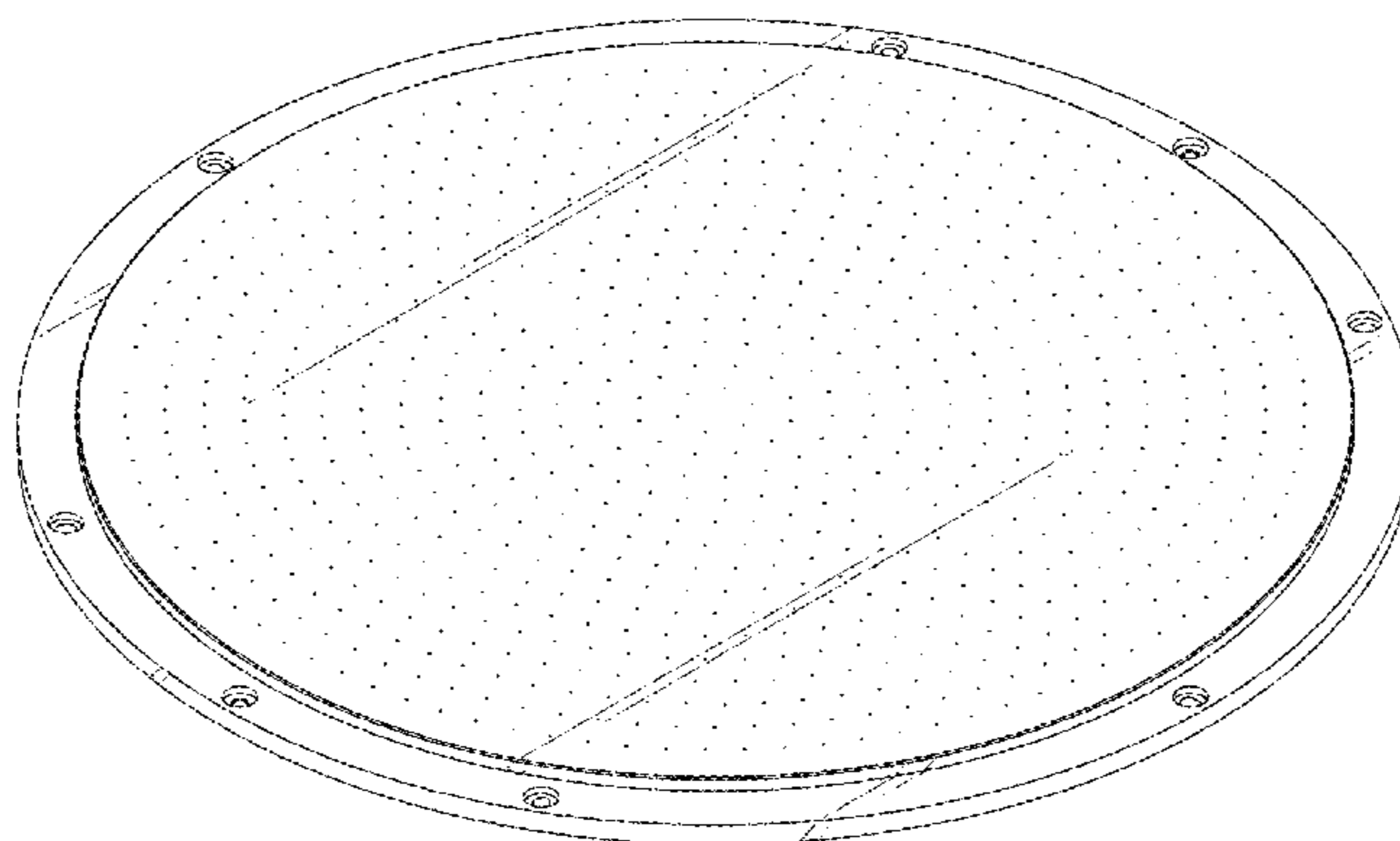
(57) **CLAIM**

The ornamental design for an electrode plate for a plasma processing apparatus, as shown and described.

**DESCRIPTION**

This application contains subject matter related to the following co-pending U.S. design patent applications: Application Ser. No. 29/635,289, filed herewith and entitled “Gas Ring for a Plasma Processing Apparatus”; Application Ser. No. 29/635,292, filed herewith and entitled “Electrode Cover for a Plasma Processing Apparatus”; and Application Ser. No. 29/635,296, filed herewith and entitled “Electrode Plate Peripheral Ring for a Plasma Processing Apparatus”.  
FIG. 1 is a front, bottom and right side perspective view of an electrode plate for a plasma processing apparatus according to the design;  
FIG. 2 is a front elevational view thereof;  
FIG. 3 is a left side elevational view thereof;  
FIG. 4 is a right side elevational view thereof;  
FIG. 5 is a top plan view thereof;  
FIG. 6 is a bottom plan view thereof;  
FIG. 7 is a rear elevational view thereof;  
FIG. 8 is a cross-sectional view taken along line 8-8 of FIG. 2;  
FIG. 9 is an enlarged view of the portion shown in box 9 in FIG. 8; and,  
FIG. 10 is an enlarged view of the portion shown in box 10 in FIG. 2.

(Continued)



The broken lines show the boundaries of the enlarged portions illustrated in FIG. 9 and FIG. 10 and form no part of the claimed design.

1 Claim, 4 Drawing Sheets

(58) Field of Classification Search

USPC ..... D23/200, 213-215, 222, 223, 229, 283; D15/140; D13/182  
CPC ..... H01J 37/32082; H01J 37/32541  
See application file for complete search history.

(56) References Cited

U.S. PATENT DOCUMENTS

D553,104	S	*	10/2007	Oohashi	.....	D13/182
D587,339	S	*	2/2009	Schoenherr	.....	D23/213
D638,550	S	*	5/2011	Bedingham	.....	D24/216
8,206,506	B2	*	6/2012	Kadkhodayan	...	H01J 37/32449 118/715
D667,561	S	*	9/2012	Bedingham	.....	D24/216
D672,050	S	*	12/2012	Lee	.....	D24/216
D787,458	S	*	5/2017	Kim	.....	D13/182
D789,888	S	*	6/2017	Jang	.....	D13/121

D790,039	S	*	6/2017	Hawrylchak	.....	D23/213
D790,489	S	*	6/2017	Toyomura	.....	D13/182
D793,526	S	*	8/2017	Behdjat	.....	D23/213
D793,572	S	*	8/2017	Kozuka	.....	D24/224
D794,753	S	*	8/2017	Miller	.....	D23/213
2004/0179323	A1	*	9/2004	Litman	.....	H01L 21/6831 361/234
2004/0218339	A1	*	11/2004	Nakamura	.....	H01L 21/67109 361/234

FOREIGN PATENT DOCUMENTS

JP	D1438663	S	4/2012
JP	D1545406	S	3/2016

OTHER PUBLICATIONS

Bialetti Moka Express Espresso Gasket & Filter Replacements. Online, published date unknown. Retrieved on Apr. 18, 2019 from URL: [https://www.surlatable.com/product/PRO-449611/Bialetti+Moka+Express+Espresso+Gasket+and+Filter+Replacements.\\*](https://www.surlatable.com/product/PRO-449611/Bialetti+Moka+Express+Espresso+Gasket+and+Filter+Replacements.*)  
Okuda et al., Design U.S. Appl. No. 29/635,289, filed Jan. 30, 2018.  
Isozaki et al., Design U.S. Appl. No. 29/635,292, filed Jan. 30, 2018.  
Isozaki et al., Design U.S. Appl. No. 29/635,296, filed Jan. 30, 2018.

\* cited by examiner

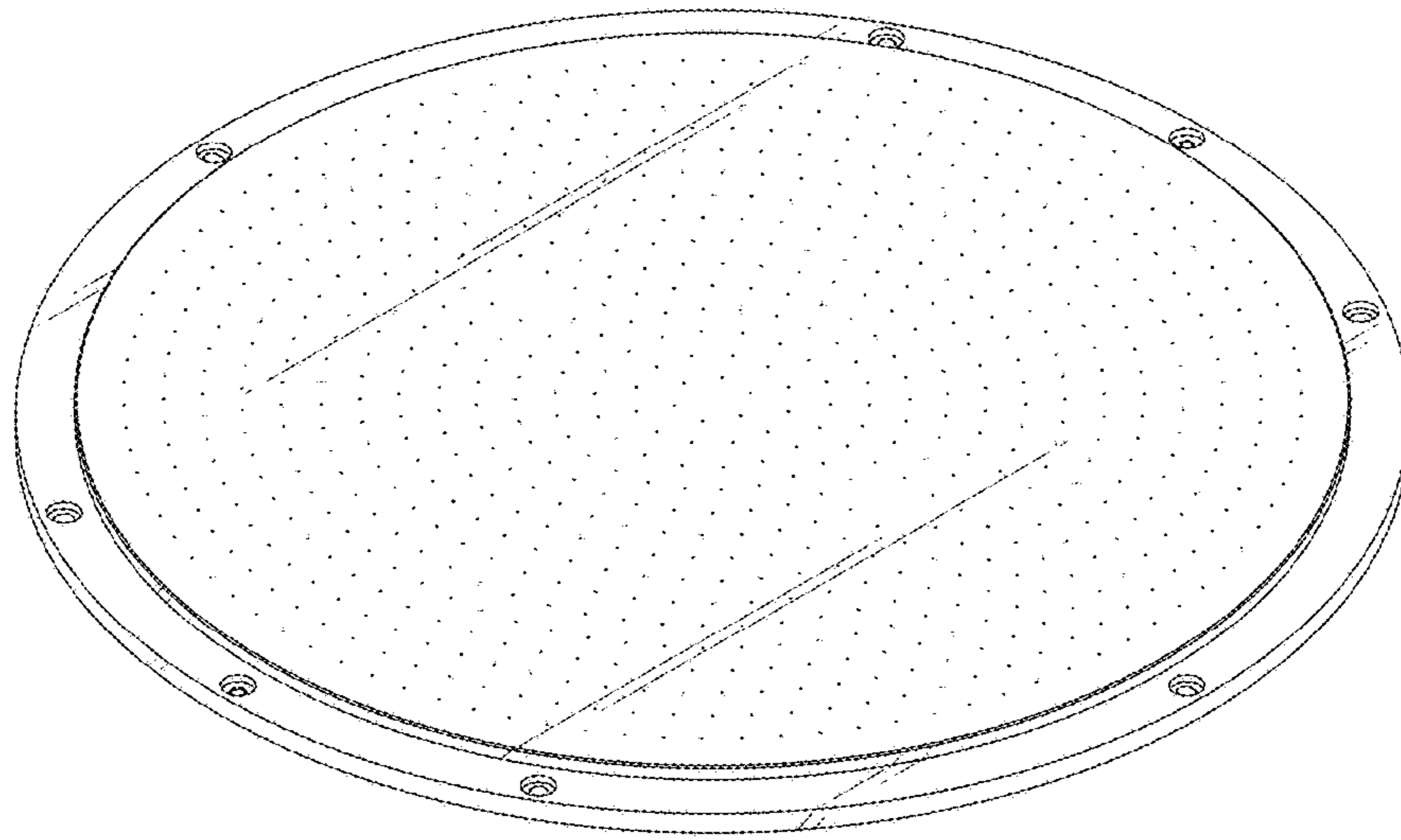


FIG. 1

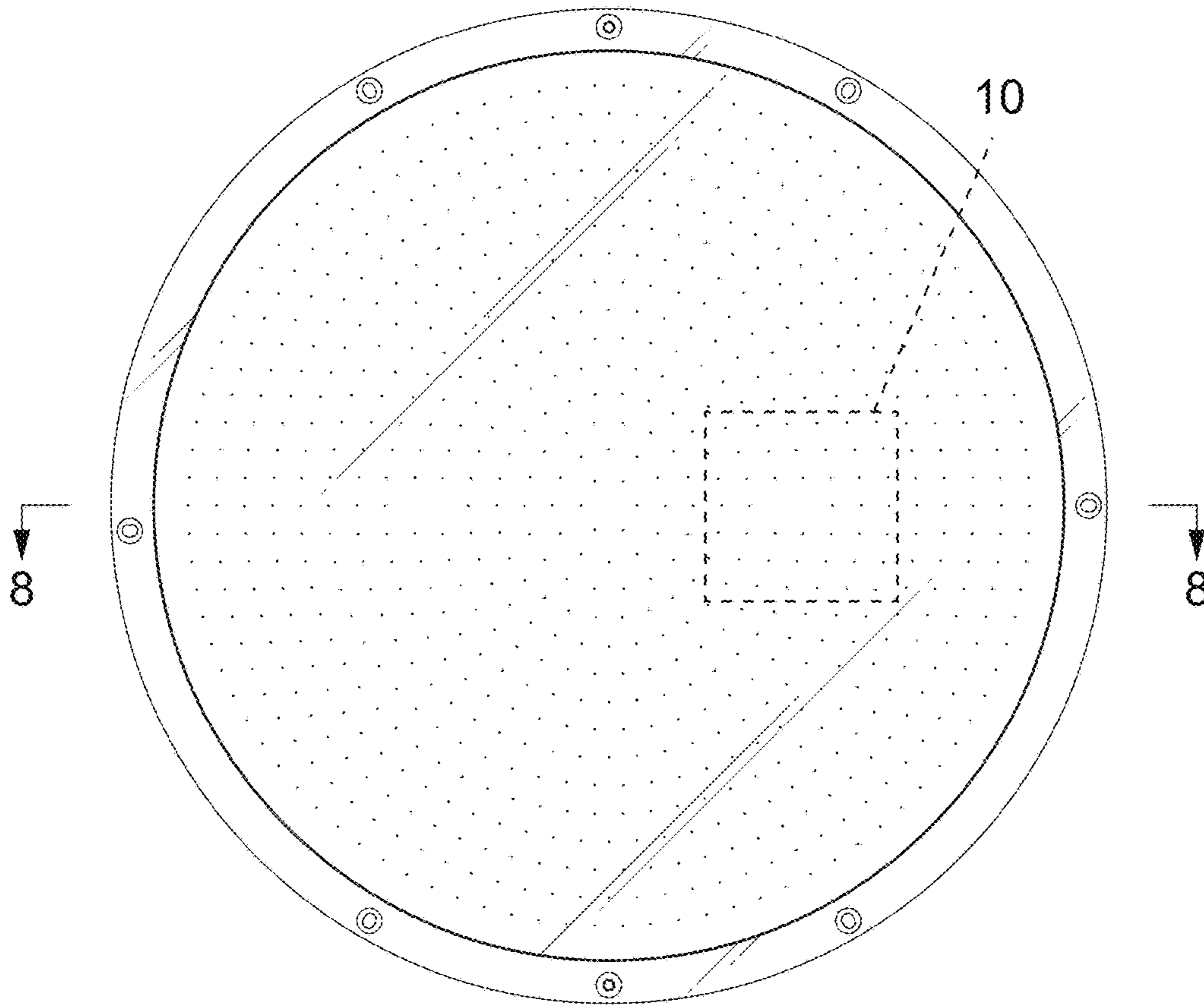


FIG. 2



FIG. 3

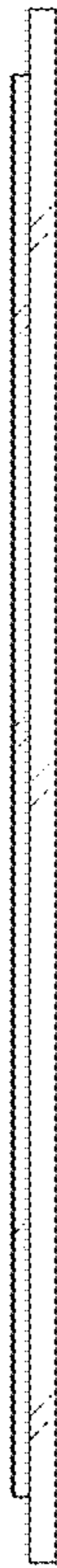


FIG. 4

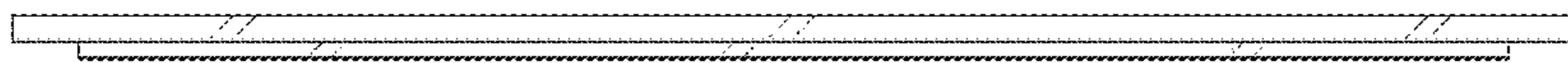


FIG. 5

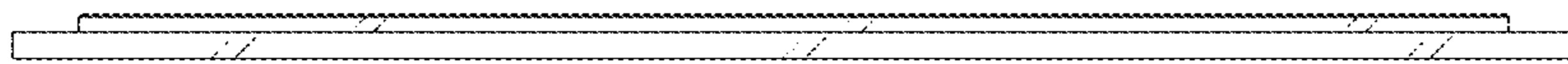


FIG. 6

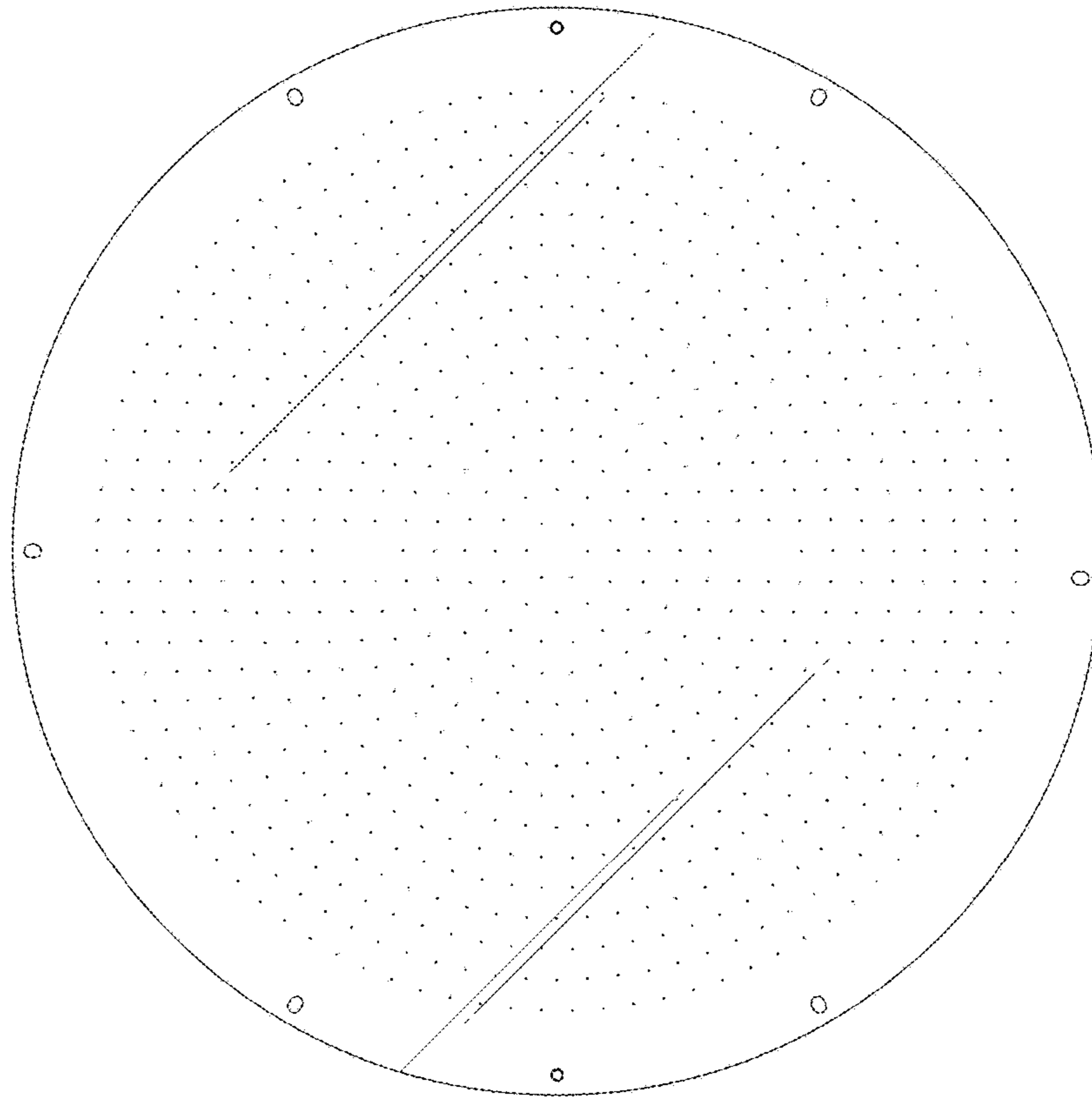


FIG. 7

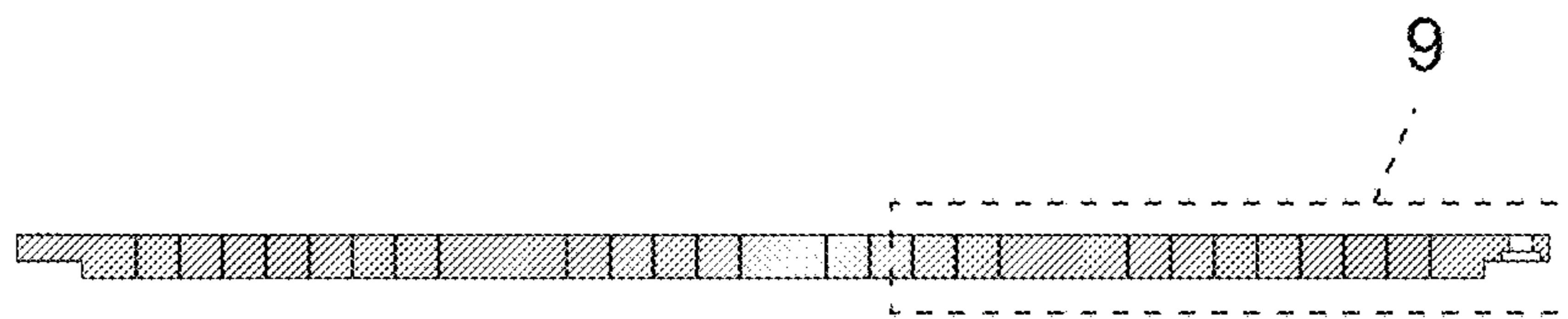


FIG. 8

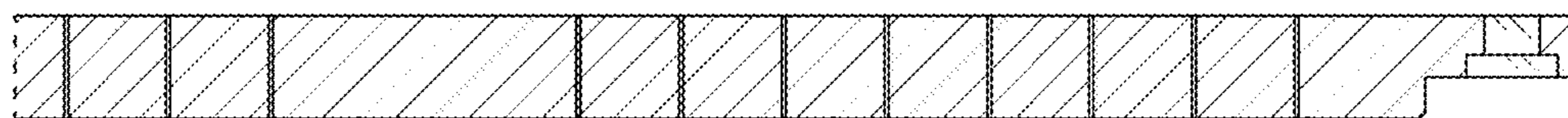


FIG. 9

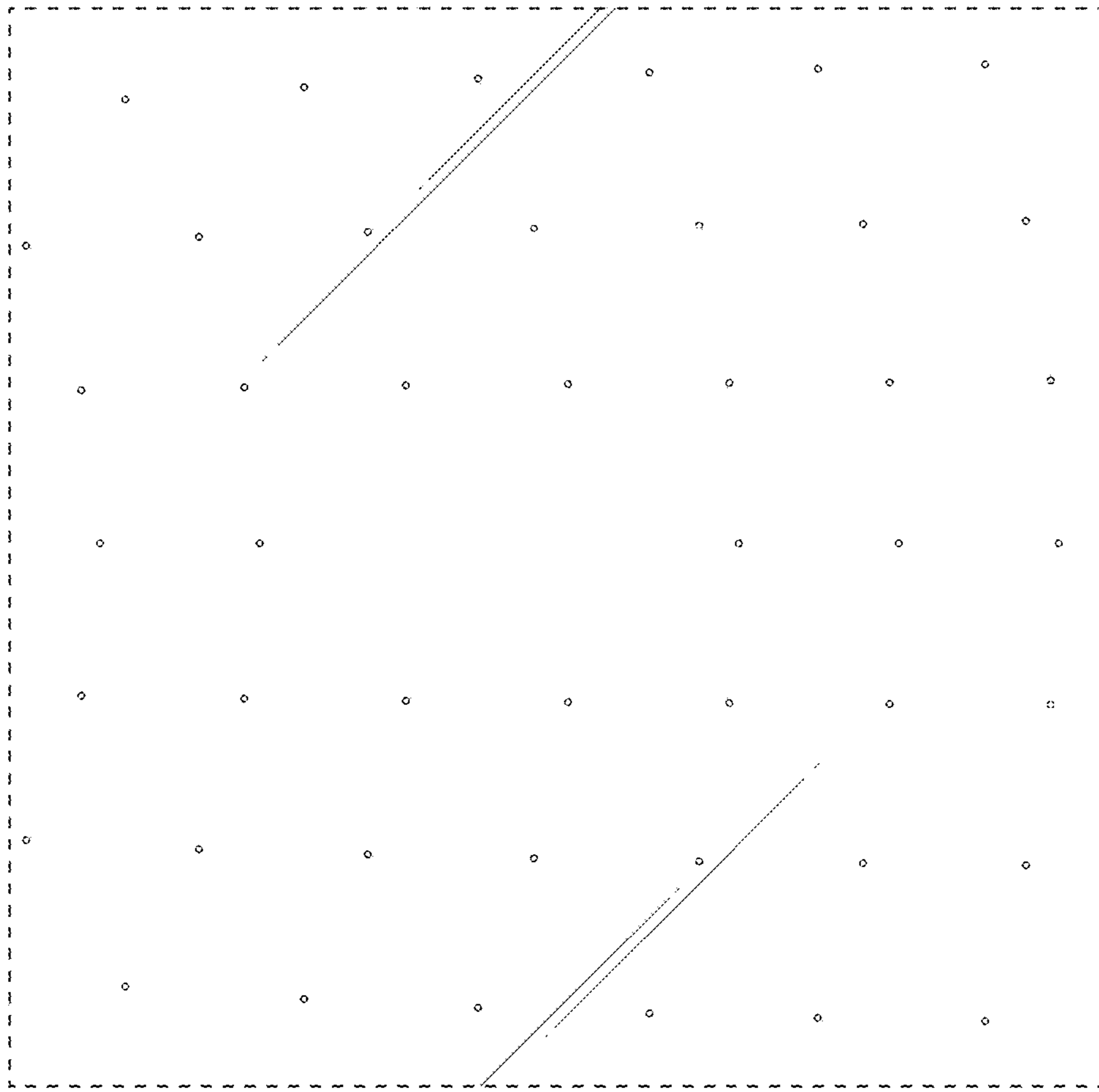


FIG. 10