



US00D868992S

(12) **United States Design Patent** (10) **Patent No.:** **US D868,992 S**  
**Ma** (45) **Date of Patent:** **\*\* Dec. 3, 2019**

(54) **UVC LED STERILIZER**  
(71) Applicant: **Shenzhen Jienuoyi Science and Technology co., Ltd, Shenzhen (CN)**  
(72) Inventor: **Zongjie Ma, Shenzhen (CN)**  
(\*\*) Term: **15 Years**  
(21) Appl. No.: **29/702,807**  
(22) Filed: **Aug. 22, 2019**

D575,912 S \* 8/2008 Mangano ..... D32/1  
D620,256 S \* 7/2010 Fujimura ..... D3/294  
D680,225 S \* 4/2013 Boonprasop ..... D24/217  
D686,743 S \* 7/2013 Gooch ..... D24/217  
D704,349 S \* 5/2014 Williams ..... D24/217  
8,795,603 B2 8/2014 Ghelman  
D719,673 S \* 12/2014 Leyva ..... D24/217  
D786,515 S \* 5/2017 Pindzola ..... D32/1  
D854,705 S \* 7/2019 Ouyang ..... D24/217  
D862,723 S \* 10/2019 Ouyang ..... D24/217  
2014/0271370 A1\* 9/2014 Sirotin ..... A61L 2/07  
422/105

(30) **Foreign Application Priority Data**  
Jul. 17, 2019 (CN) ..... 2019 3 0381844  
(51) **LOC (12) Cl.** ..... **24-01**  
(52) **U.S. Cl.**  
USPC ..... **D24/217**  
(58) **Field of Classification Search**  
USPC ..... D24/118, 121, 207, 216, 217, 218, 219,  
D24/220, 224, 232; D3/303, 294;  
D9/420, 423  
CPC ..... A61L 2/26; A61L 2/24; A61L 2/17; A61L  
2/18; A61L 2/025; A61L 2202/122; A61L  
2202/10; A61L 2202/11; A61L 2202/14;  
A61L 2202/23; A61L 2202/24; A61L  
2202/182  
See application file for complete search history.

\* cited by examiner

*Primary Examiner* — Anhdao Doan  
(74) *Attorney, Agent, or Firm* — HYIP

(57) **CLAIM**

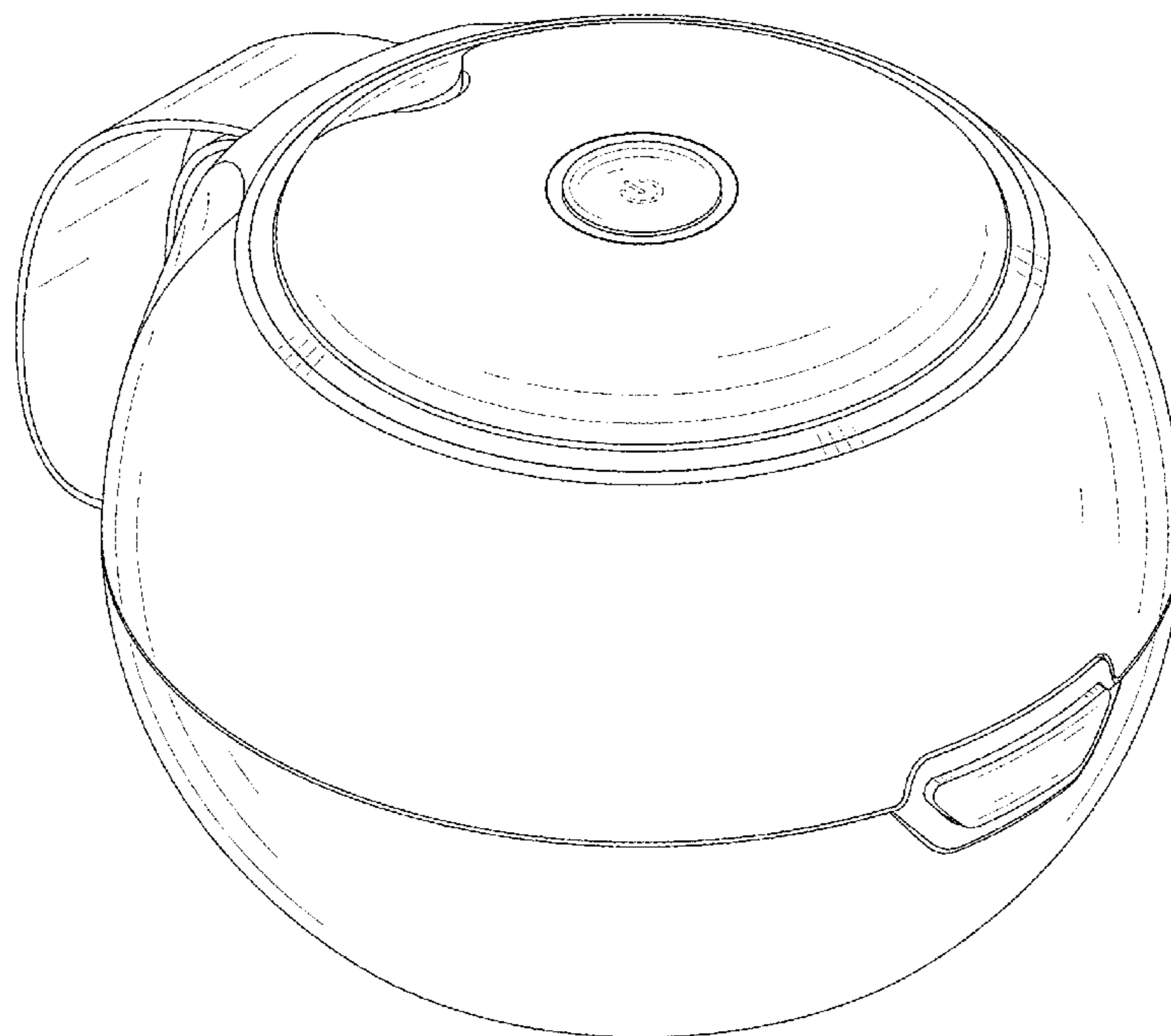
The ornamental design for an UVC LED sterilizer, as shown and described.

**DESCRIPTION**

FIG. 1 is a first perspective view of an UVC LED sterilizer showing my design;  
FIG. 2 is a second perspective view thereof;  
FIG. 3 is a front view thereof;  
FIG. 4 is a back view thereof;  
FIG. 5 is a left side view thereof;  
FIG. 6 is a right side view thereof;  
FIG. 7 is a top view thereof; and,  
FIG. 8 is a bottom view thereof.  
The broken lines shown in the drawings depict portions of the UVC LED sterilizer in which the design is embodied that form no part of the claimed design.

(56) **References Cited**  
U.S. PATENT DOCUMENTS  
D561,470 S \* 2/2008 Jalet ..... D3/294  
7,399,047 B2 7/2008 Ward

**1 Claim, 8 Drawing Sheets**



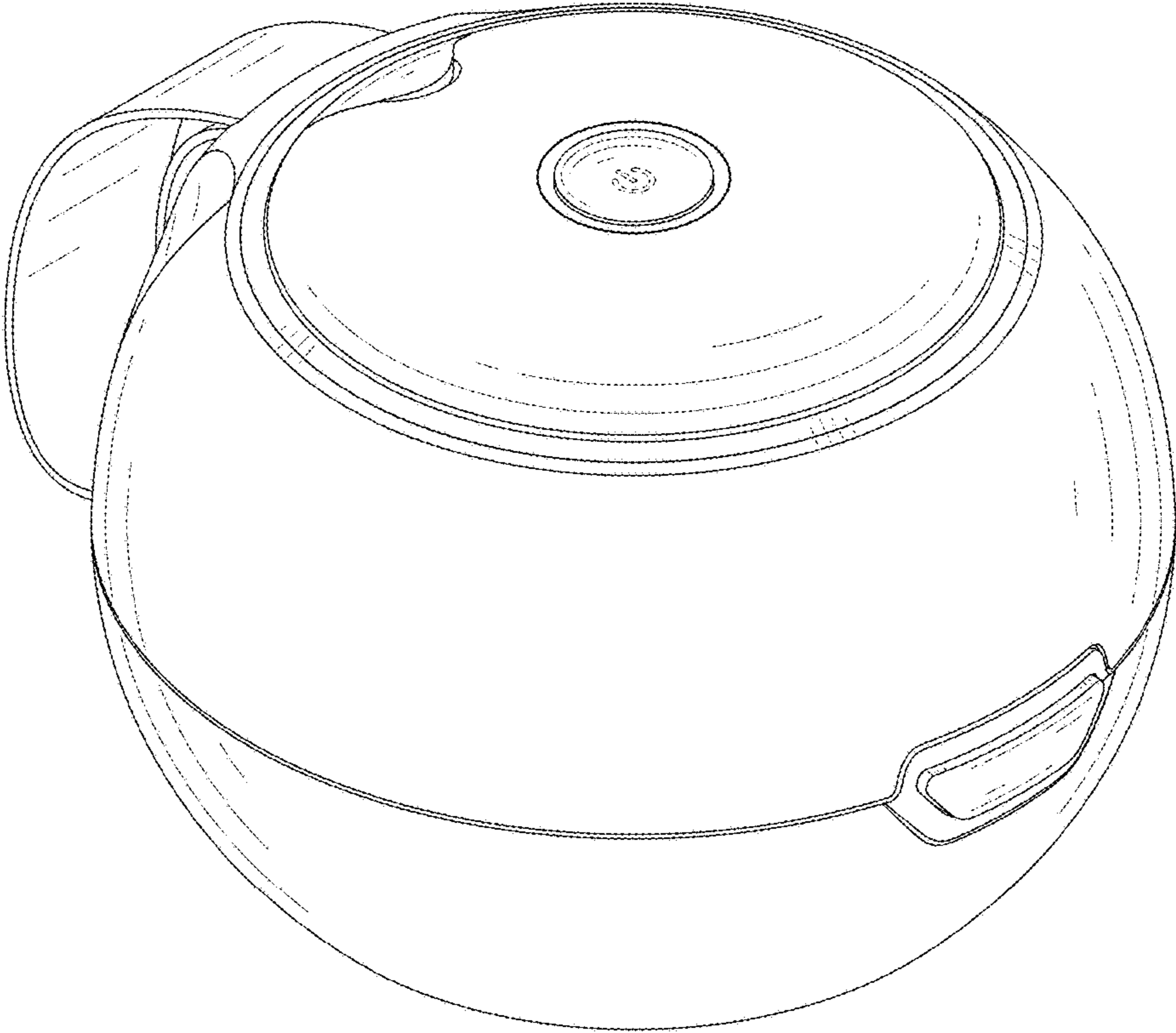


FIG. 1

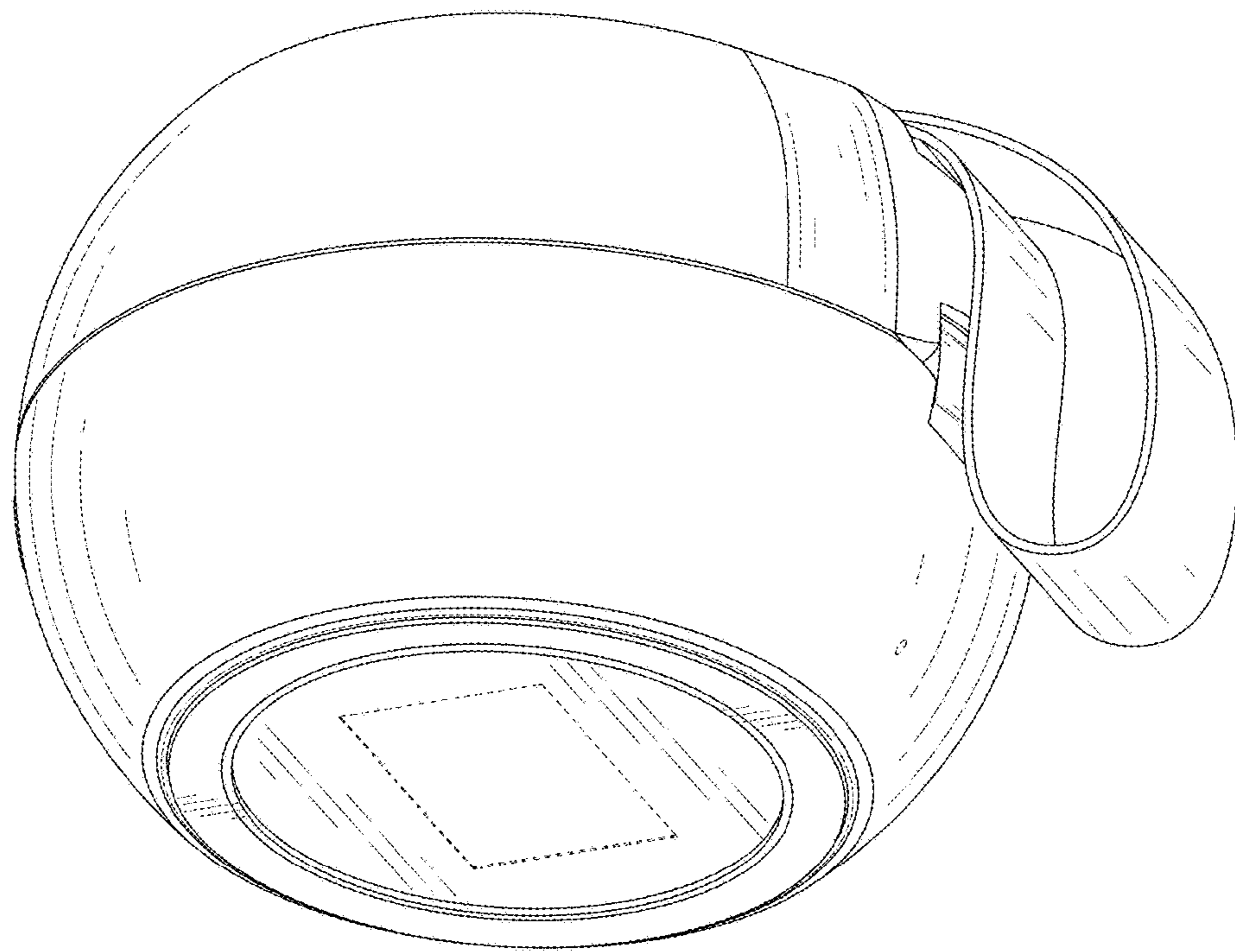


FIG. 2

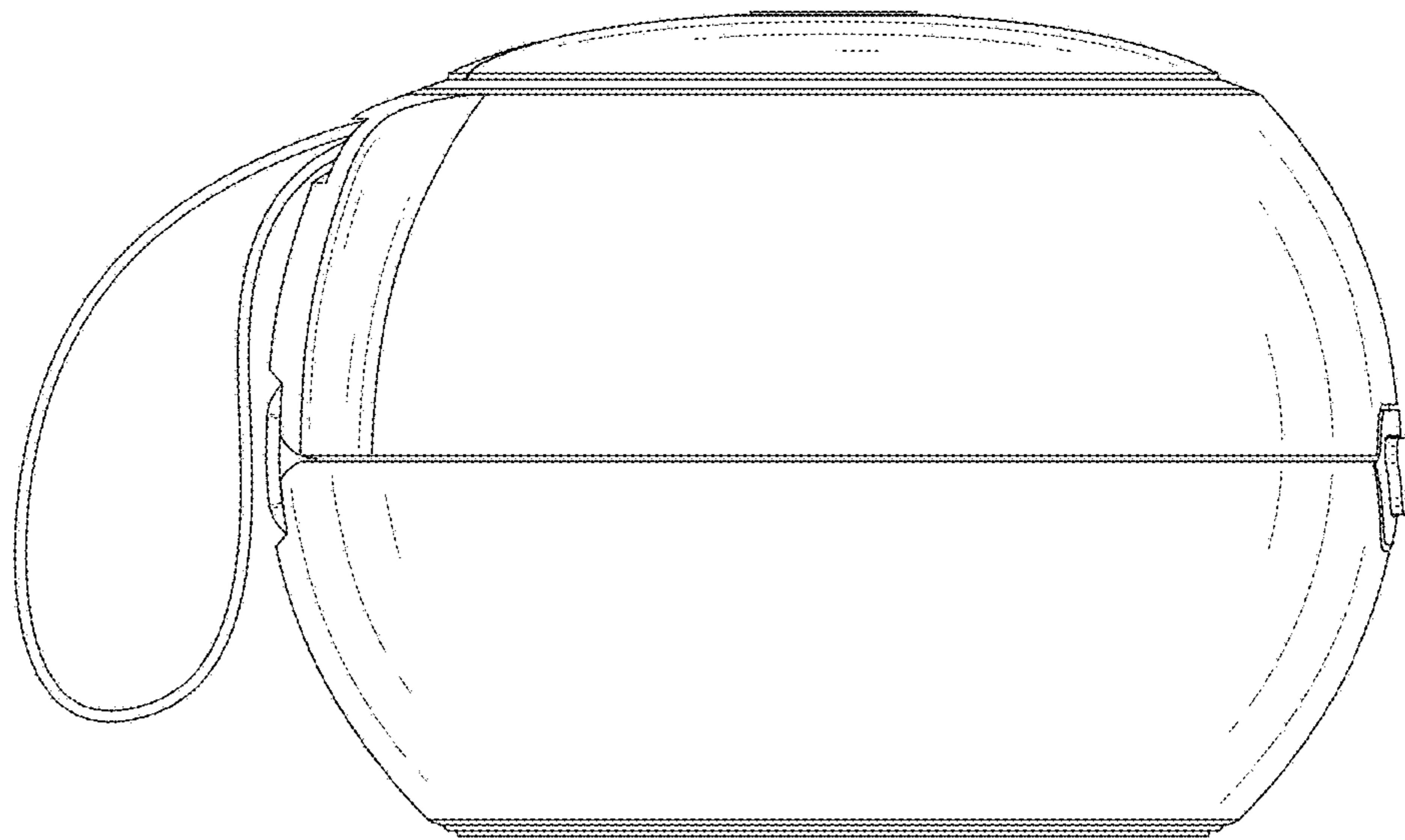


FIG. 3

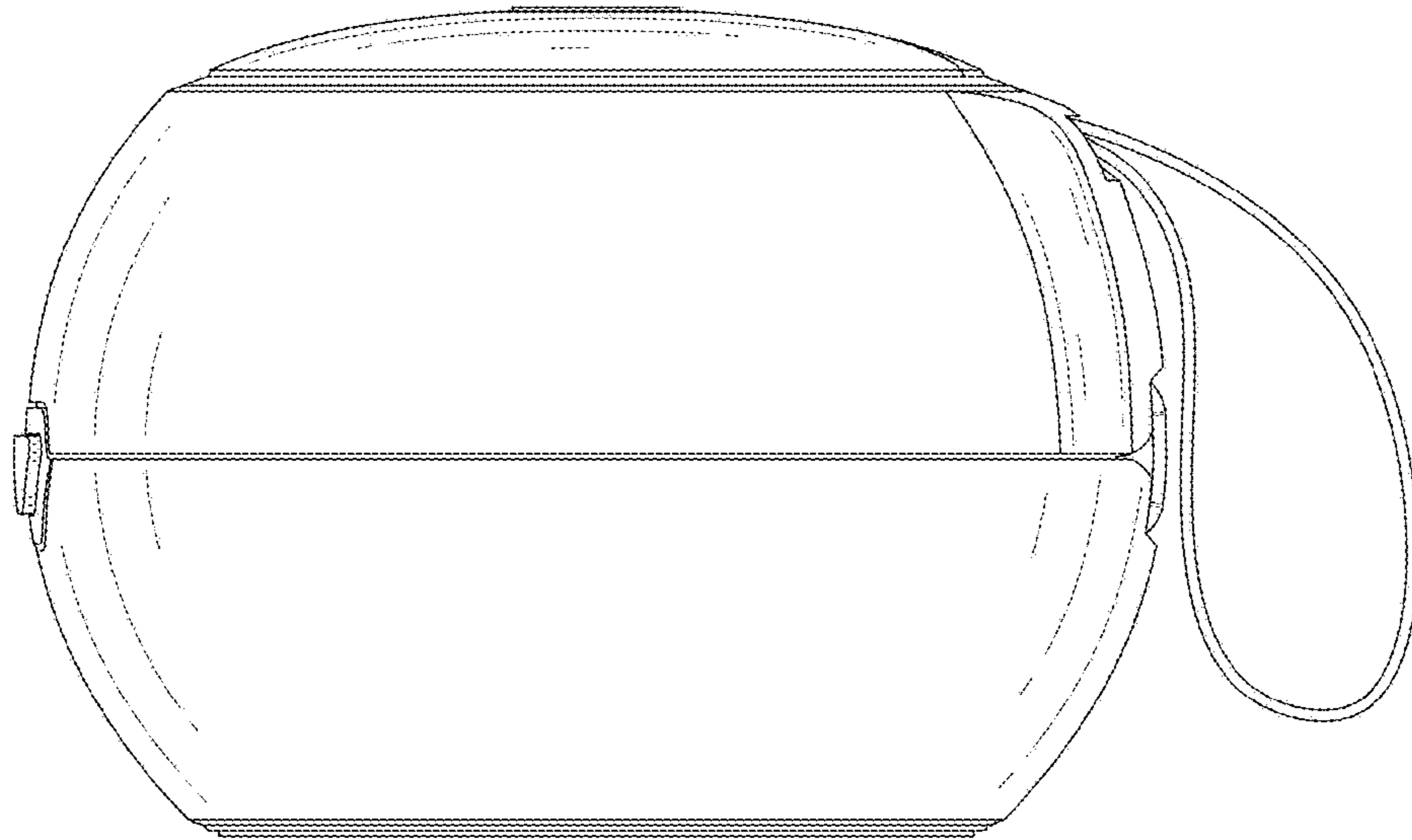


FIG. 4

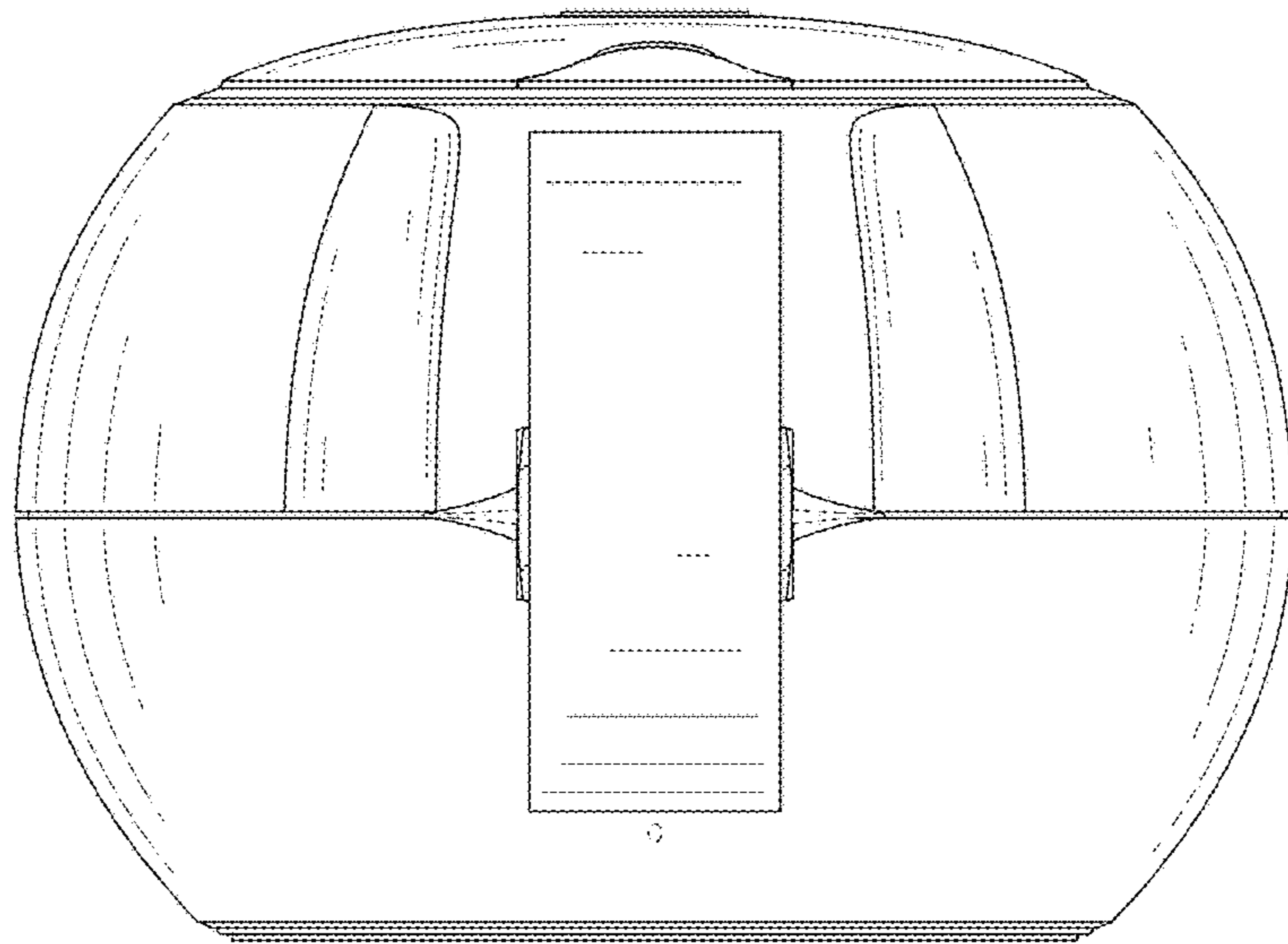


FIG. 5

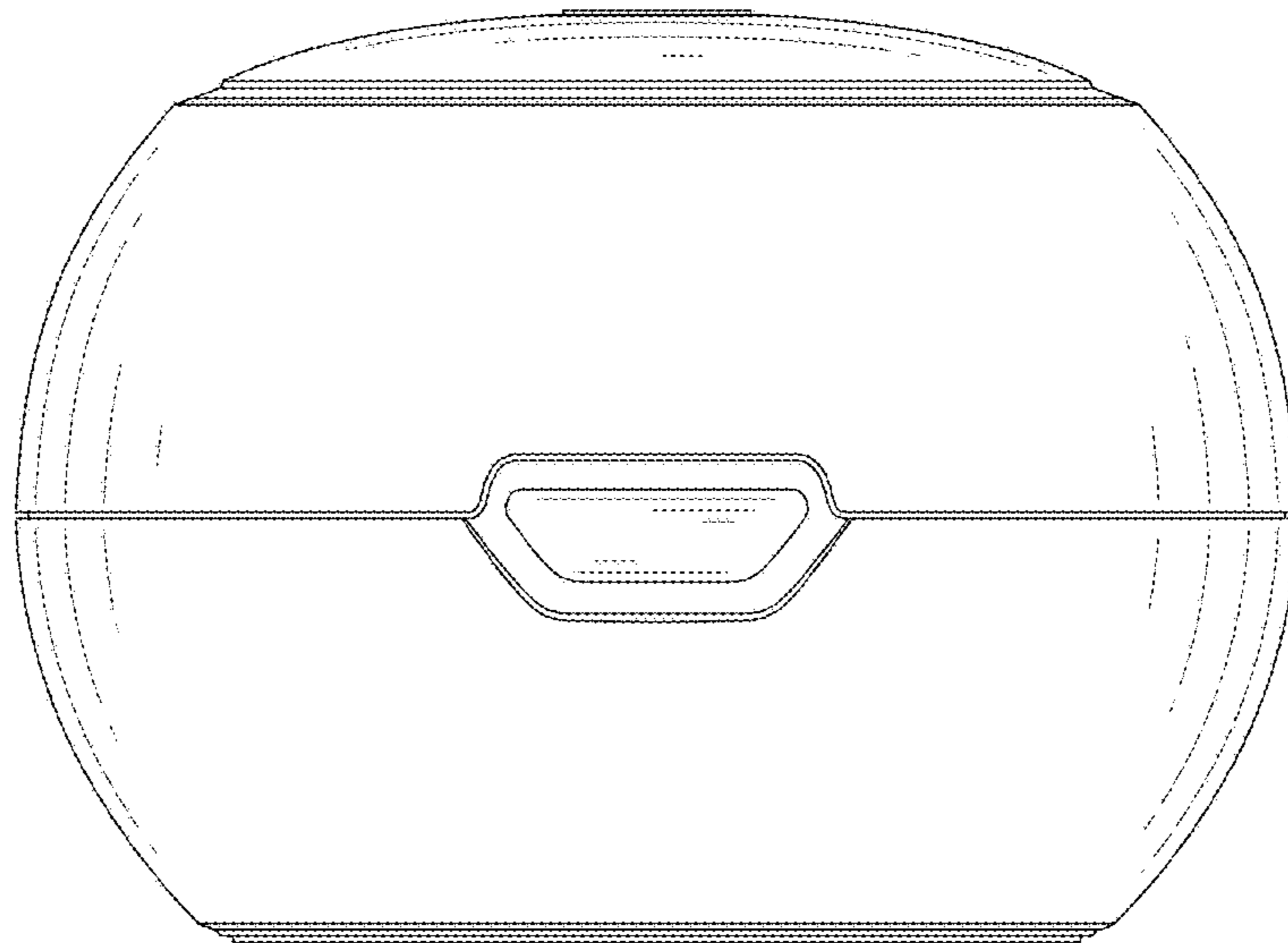


FIG. 6



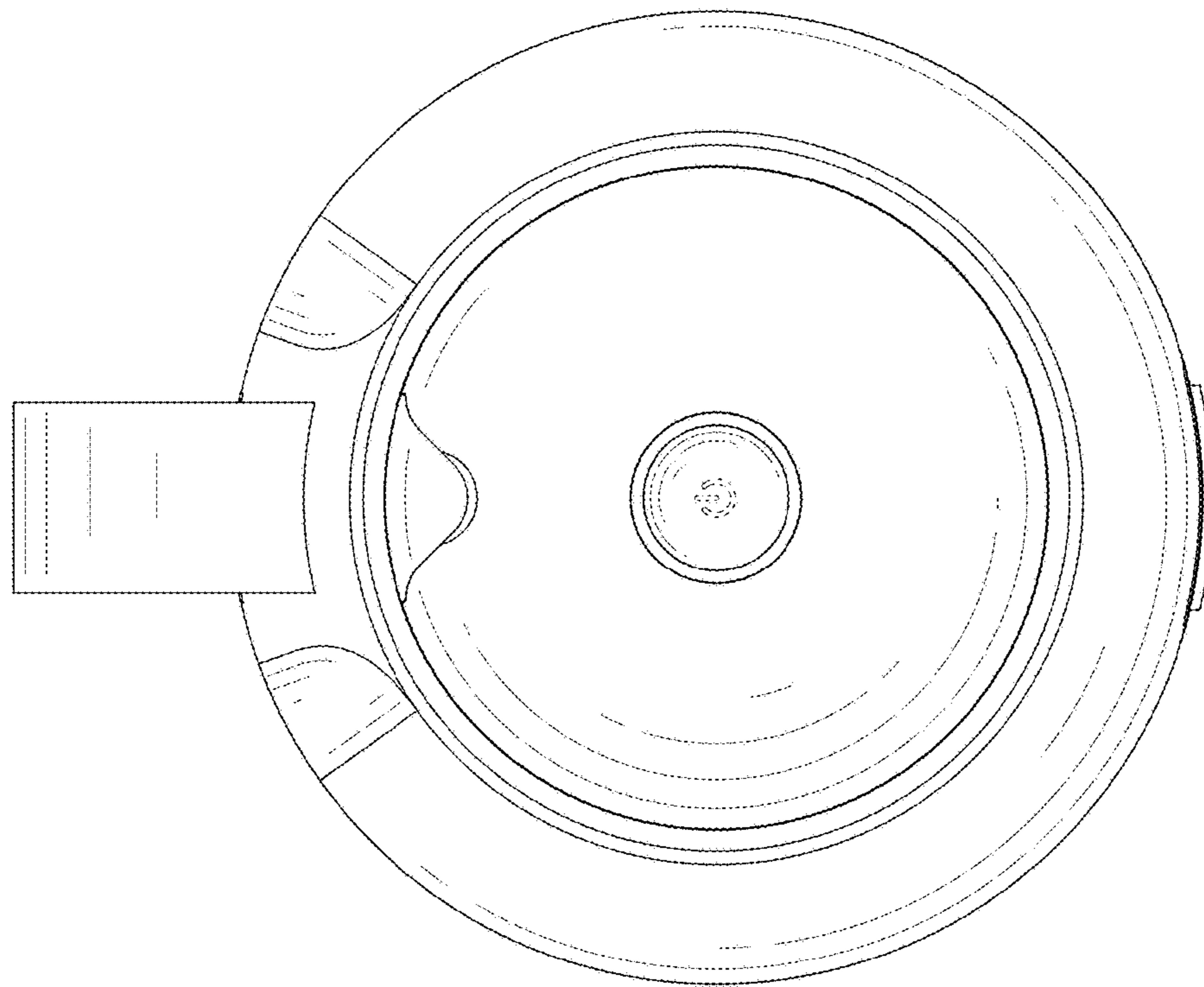


FIG. 7



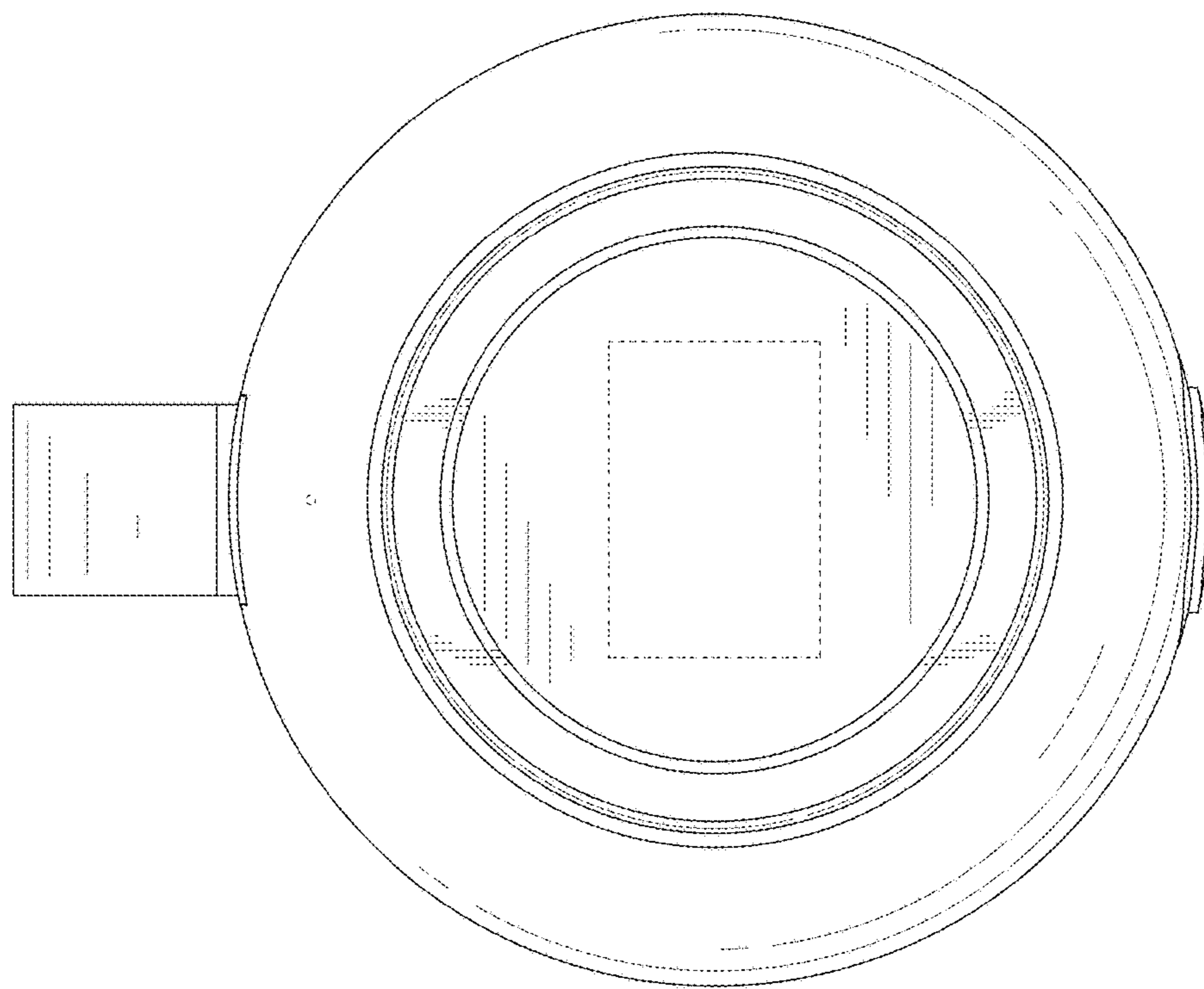


FIG. 8