



US00D868987S

(12) **United States Design Patent** (10) **Patent No.:** **US D868,987 S**
Cheung (45) **Date of Patent:** **** Dec. 3, 2019**

(54) **VIBRATOR**

(56) **References Cited**

(71) Applicant: **Brandcore Limited**, Road Town,
Tortola (VG)

(72) Inventor: **Lai Lam Cheung**, Mo On Shan (HK)

(73) Assignee: **Brandcore Limited** (VG)

(**) Term: **15 Years**

(21) Appl. No.: **29/581,120**

(22) Filed: **Oct. 17, 2016**

(30) **Foreign Application Priority Data**

Apr. 15, 2016 (EP) 003070374

(51) **LOC (12) Cl.** **28-03**

(52) **U.S. Cl.**
USPC **D24/215**

(58) **Field of Classification Search**
USPC D24/200, 211, 212, 213, 214, 215;
601/19, 22, 40, 46, 52, 63, 99, 110, 111,
601/112, 113, 118, 119, 120, 125,
601/DIG. 12-17
CPC A61H 1/00; A61H 2015/0007; A61H
2015/0014; A61H 2015/0042; A61H
15/00; A61H 11/00; A61H 21/00; A61H
37/00

See application file for complete search history.

U.S. PATENT DOCUMENTS

D648,442 S *	11/2011	Caggiano	D24/215
D681,225 S *	4/2013	Chen	D24/215
D739,547 S *	9/2015	Cheung	D24/215
D818,142 S *	5/2018	Cheung	D24/215
D818,143 S *	5/2018	Cheung	D24/215
D823,477 S *	7/2018	Yang	D24/215
D834,213 S *	11/2018	Marshall	D24/215
D838,377 S *	1/2019	Hu	D24/215

* cited by examiner

Primary Examiner — Sandra S Snapp

(74) *Attorney, Agent, or Firm* — Merek, Blackmon & Voorhees, LLC

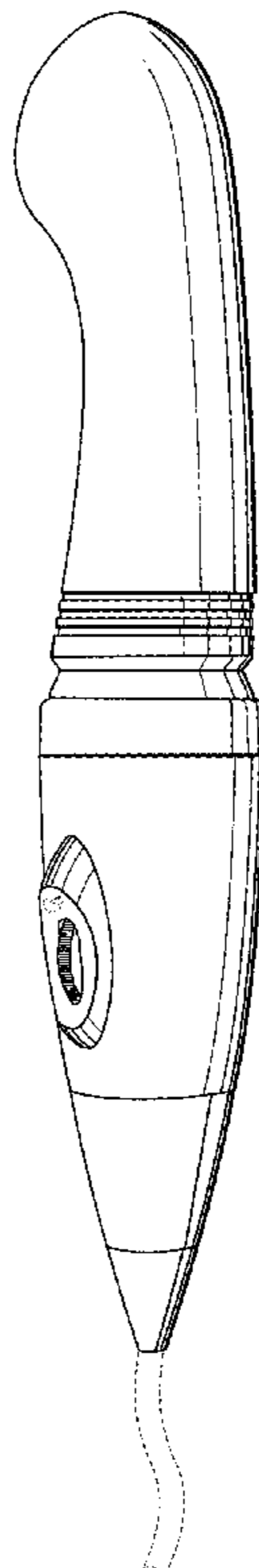
(57) **CLAIM**

The ornamental design for a vibrator, as shown and described.

DESCRIPTION

FIG. 1 is a left-forward view of a vibrator with the ornamental design, with the right-forward view being a mirror image thereof;
FIG. 2 is a front side view of the vibrator of FIG. 1;
FIG. 3 is a rear side view of the vibrator of FIG. 1;
FIG. 4 is an enlarged top plan view of the vibrator of FIG. 1; and,
FIG. 5 is an enlarged bottom view of the vibrator of FIG. 1. The broken lines shown in the drawings depict portions of the vibrator which form no part of the claimed design.

1 Claim, 4 Drawing Sheets



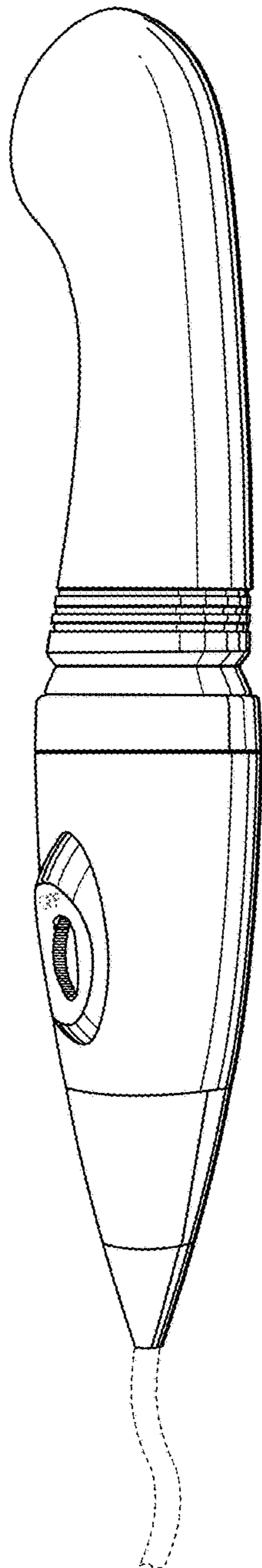


Fig. 1

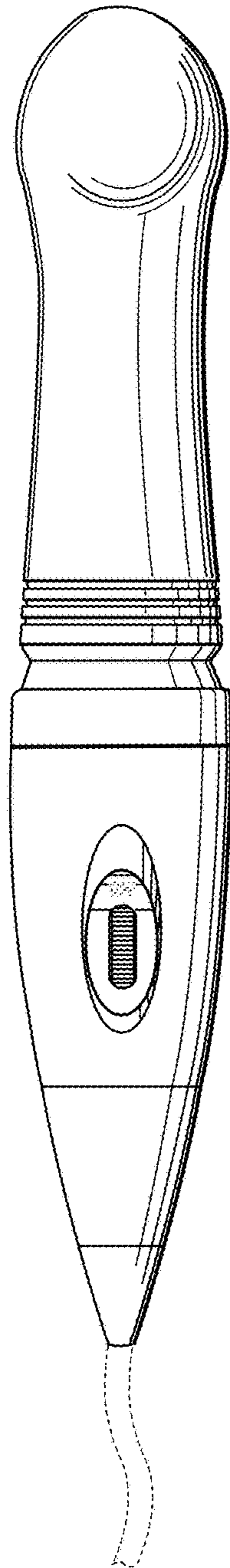


Fig. 2

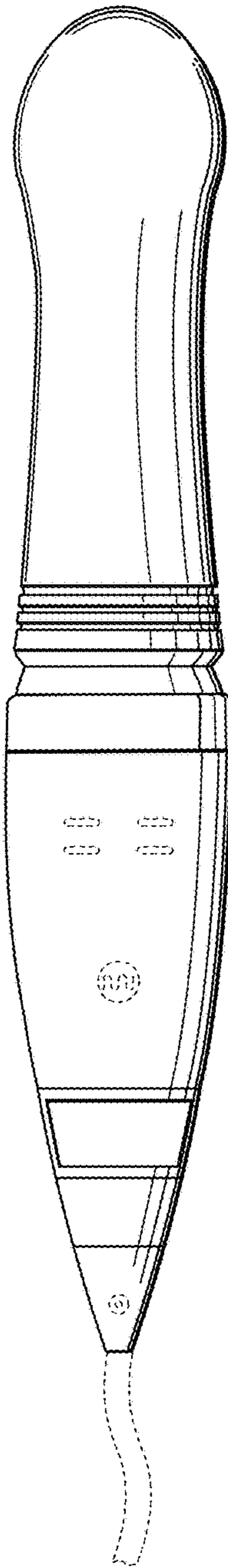


Fig. 3

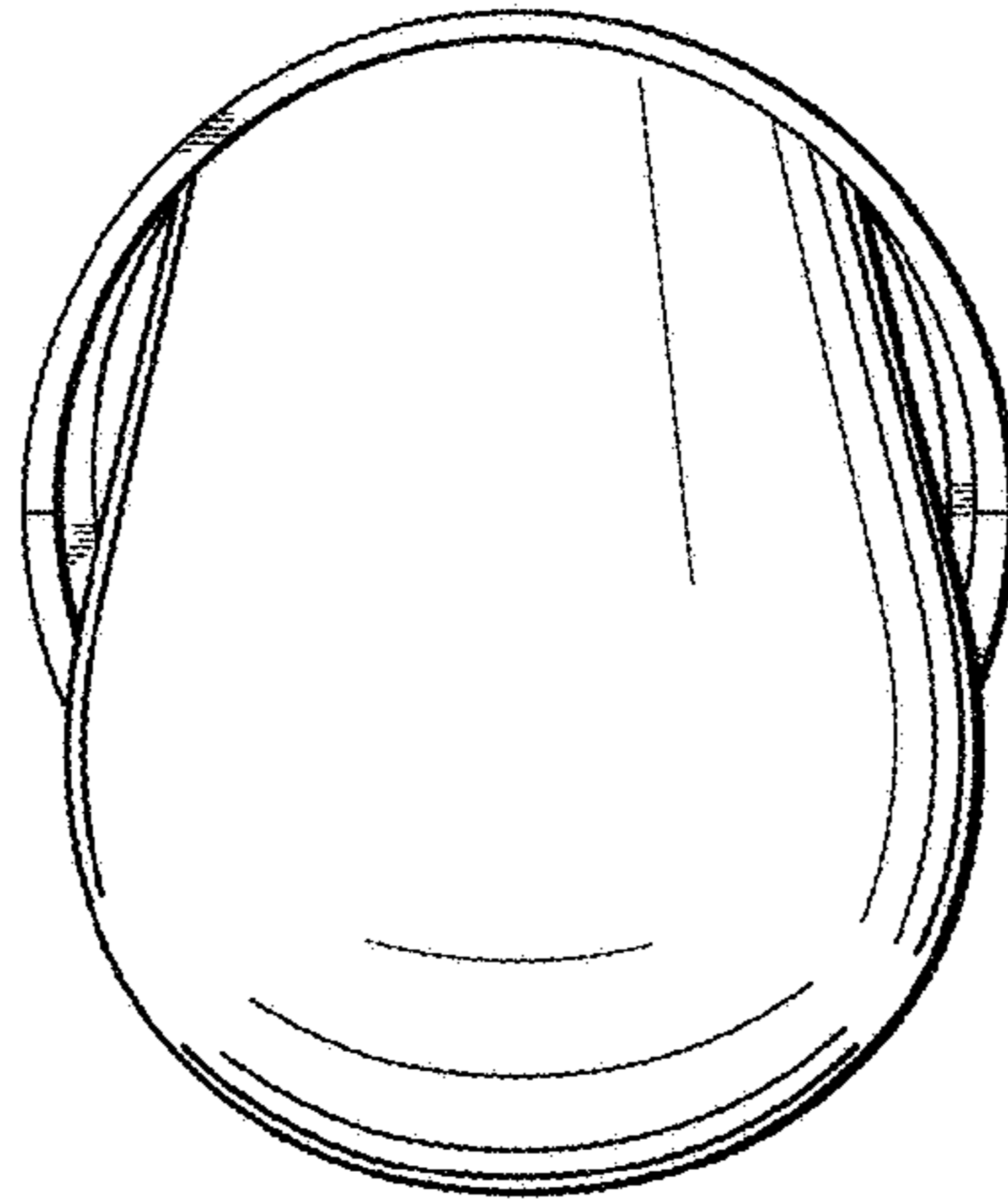


Fig. 4

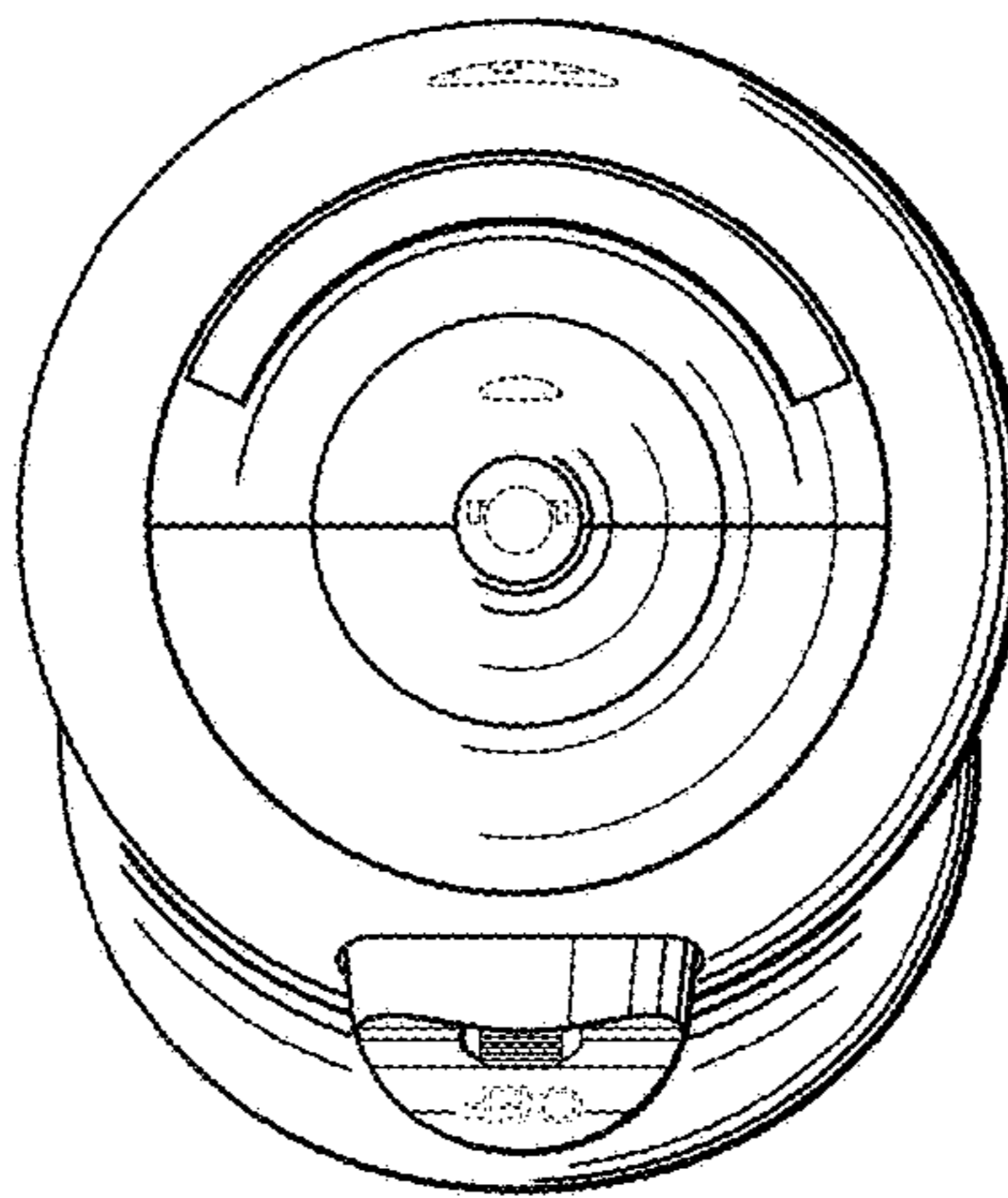


Fig. 5