



US00D868985S

(12) **United States Design Patent**
Xu

(10) **Patent No.:** **US D868,985 S**

(45) **Date of Patent:** **** Dec. 3, 2019**

(54) **WAKE-UP LIGHT**

(71) Applicant: **Guohong Xu**, Guangdong (CN)

(72) Inventor: **Guohong Xu**, Guangdong (CN)

(73) Assignee: **Shenzhen JieWeiXiangHe Industrial Limited Company**, Shenzhen, Guangdong (CN)

(**) Term: **15 Years**

(21) Appl. No.: **29/619,442**

(22) Filed: **Sep. 29, 2017**

(51) **LOC (12) Cl.** **24-01**

(52) **U.S. Cl.**
USPC **D24/210**

(58) **Field of Classification Search**
USPC D24/210; D26/1, 24, 51, 104, 106, 118, D26/129, 132
CPC A61N 5/0616; A61N 5/0618; A61N 2005/0652; A61N 2005/0654; A61N 2005/0642; A61N 2005/0644; A61N 2005/0636; A61N 2005/0626; A61N 2005/0627; A61B 2018/00452; A61B 2018/1807
See application file for complete search history.

(56) **References Cited**

U.S. PATENT DOCUMENTS

D510,627 S * 10/2005 Lomborg D24/209
D545,973 S * 7/2007 Powell D24/209

D599,485 S * 9/2009 Burrows D24/209
D611,160 S * 3/2010 Fernie D24/209
D621,541 S * 8/2010 Hamel D26/93
D623,308 S * 9/2010 Kramer D24/209
D652,984 S * 1/2012 Schaeken D26/128
D684,269 S * 6/2013 Wang D24/209
D685,514 S * 7/2013 Djajadiningrat D26/93
D690,455 S * 9/2013 Hagenauer D26/93
D736,943 S * 8/2015 Hagenauer D24/210
D739,592 S * 9/2015 Hagenauer D26/106
D807,522 S * 1/2018 Berke D24/210

* cited by examiner

Primary Examiner — Brian N. Vinson

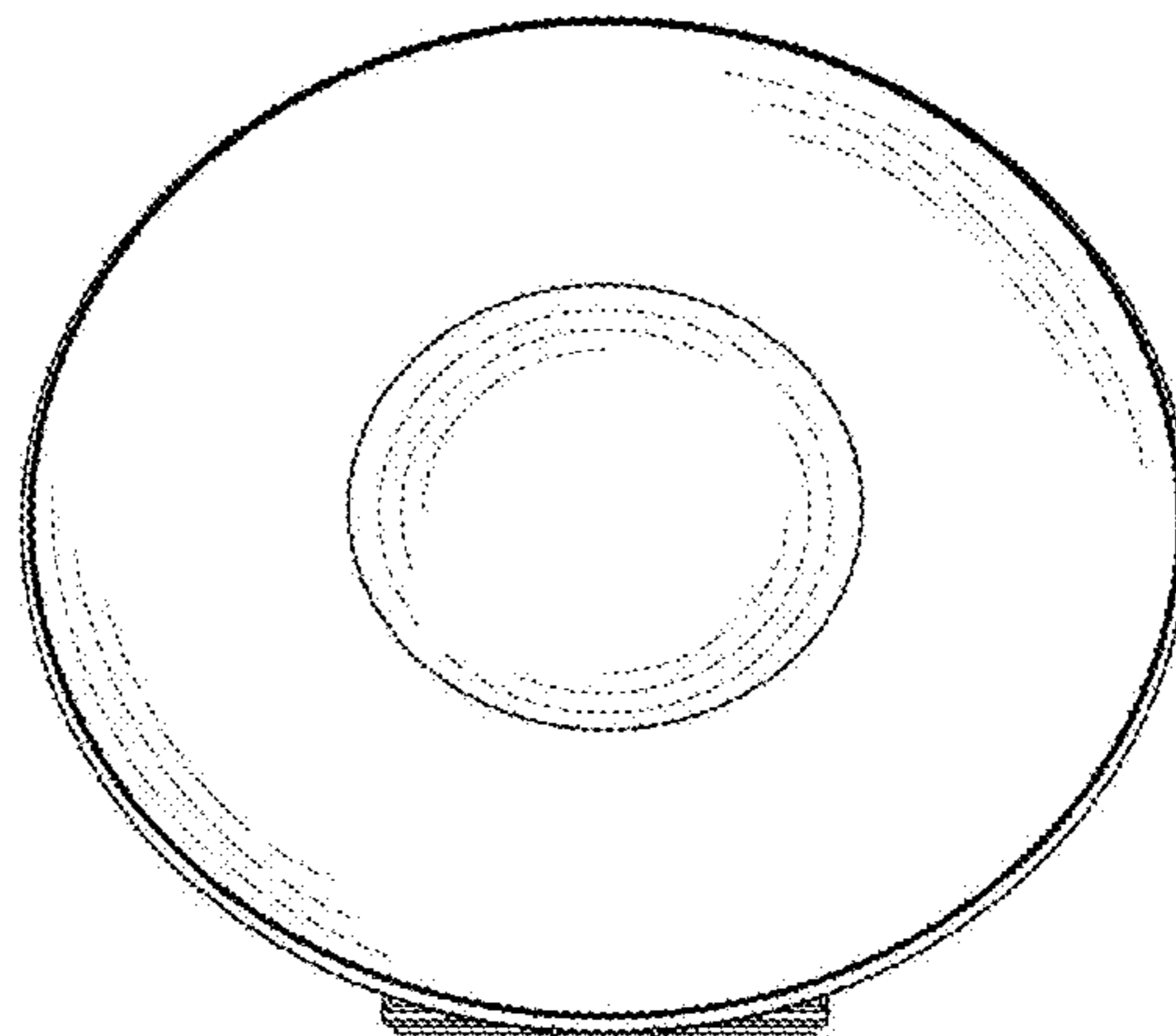
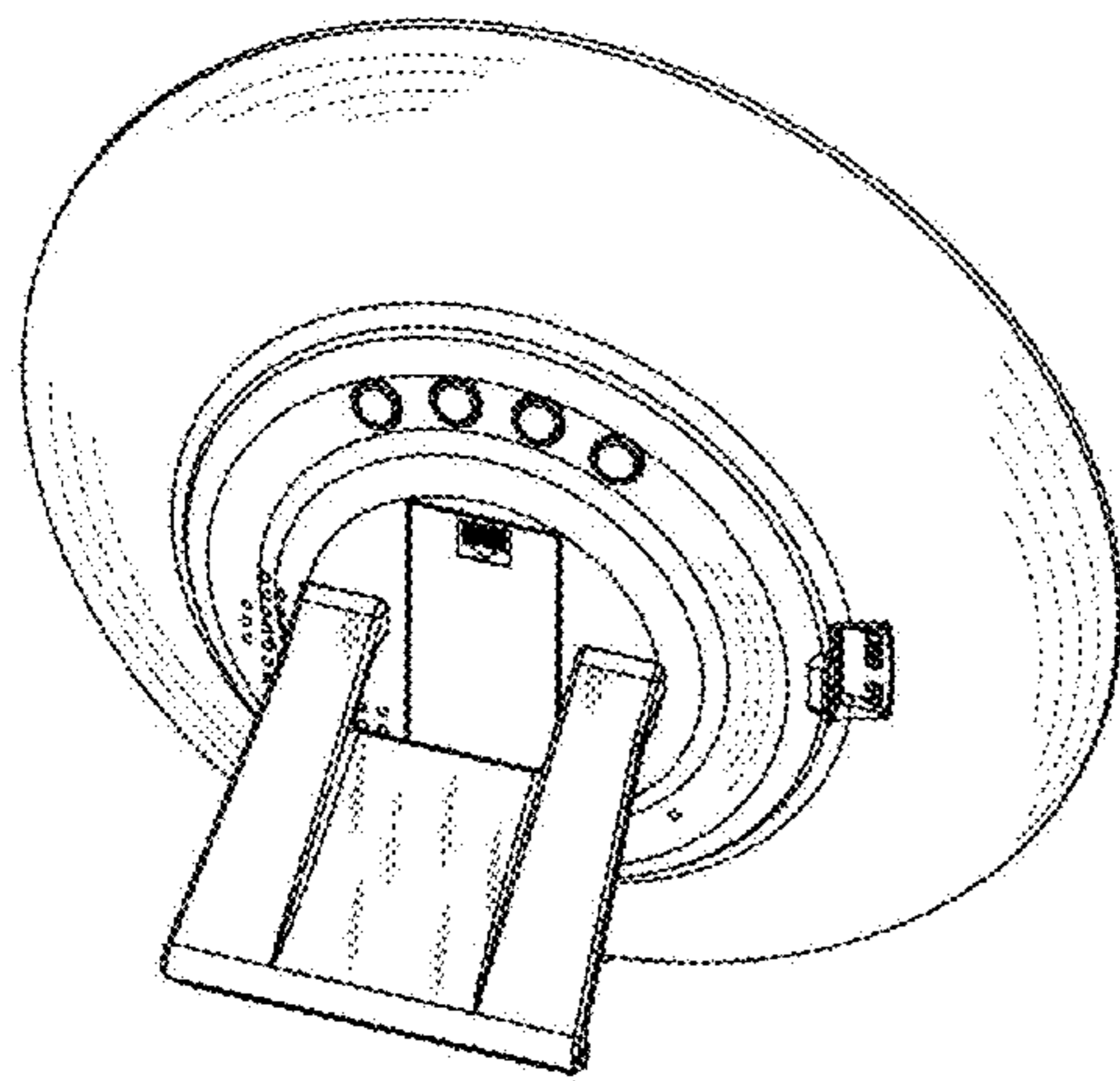
(57) **CLAIM**

I claim the ornamental design for a wake-up light, as shown and described.

DESCRIPTION

FIG. 1 is a perspective view of a wake-up light showing my new design;
FIG. 2 is a front elevational view thereof;
FIG. 3 is a rear elevational view thereof;
FIG. 4 is a left side elevational view thereof;
FIG. 5 is a right side elevational view thereof;
FIG. 6 is a top plan view thereof; and,
FIG. 7 is a bottom plan view thereof.

1 Claim, 7 Drawing Sheets



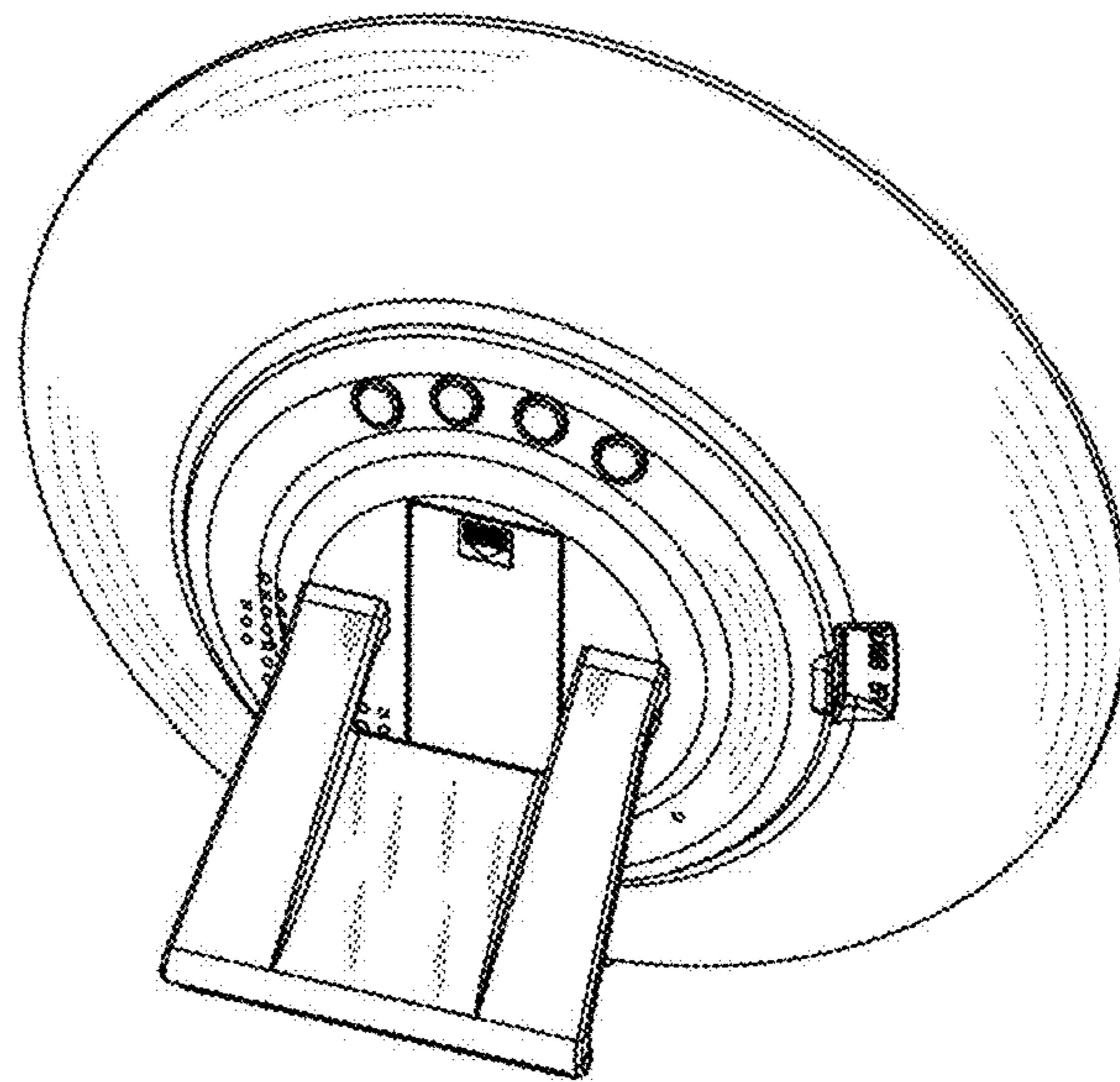


FIG.1

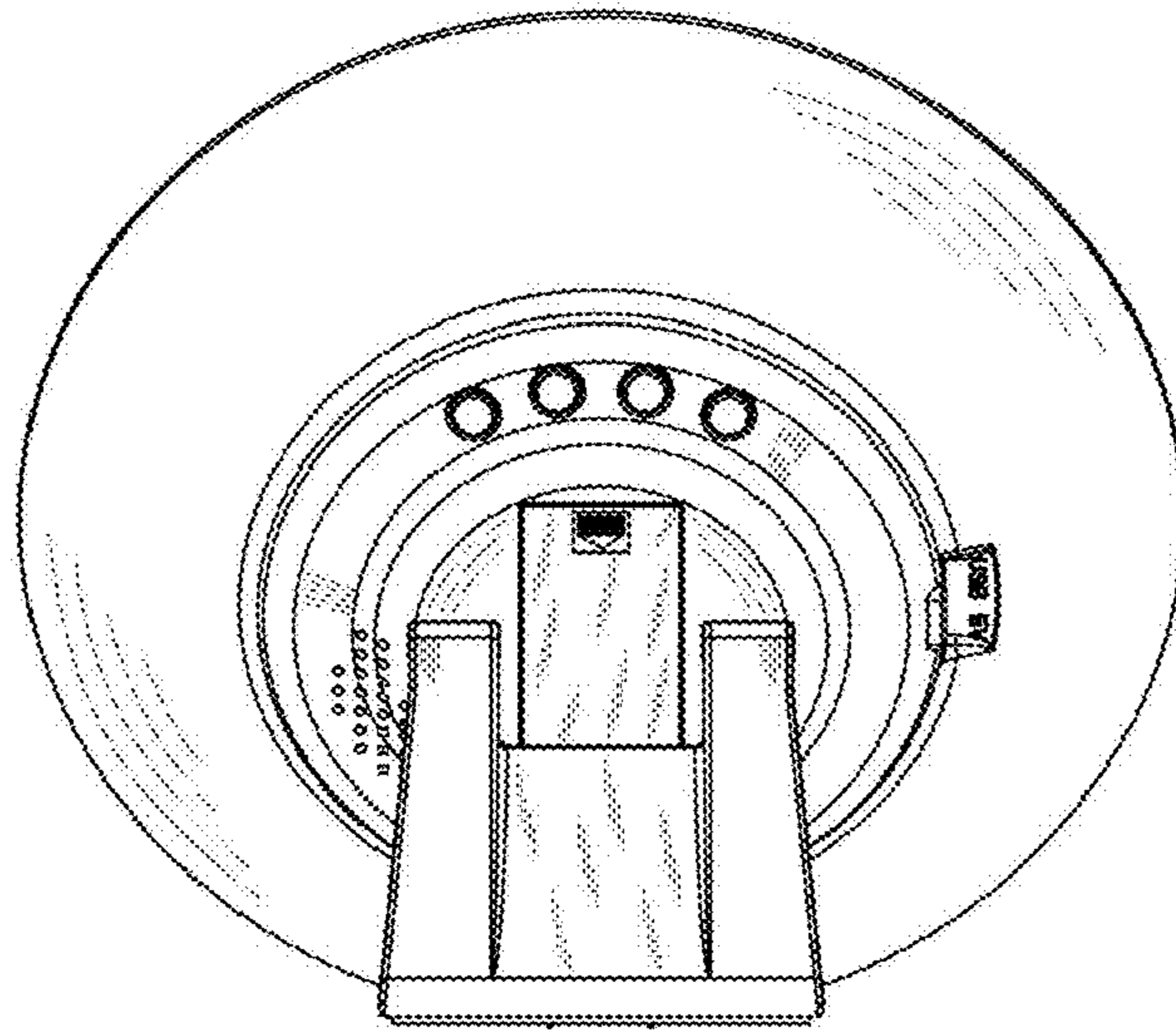


FIG.2

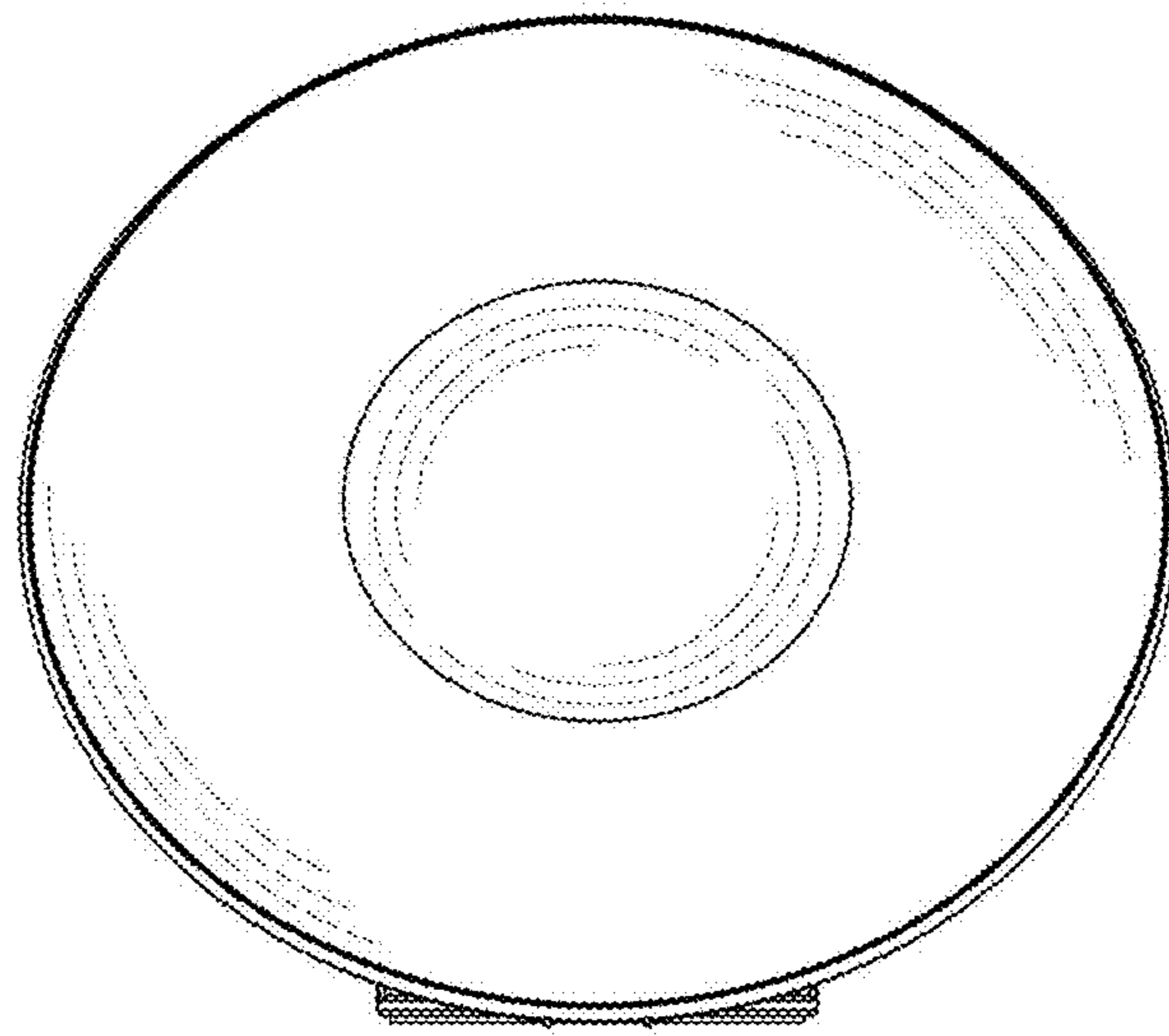


FIG.3

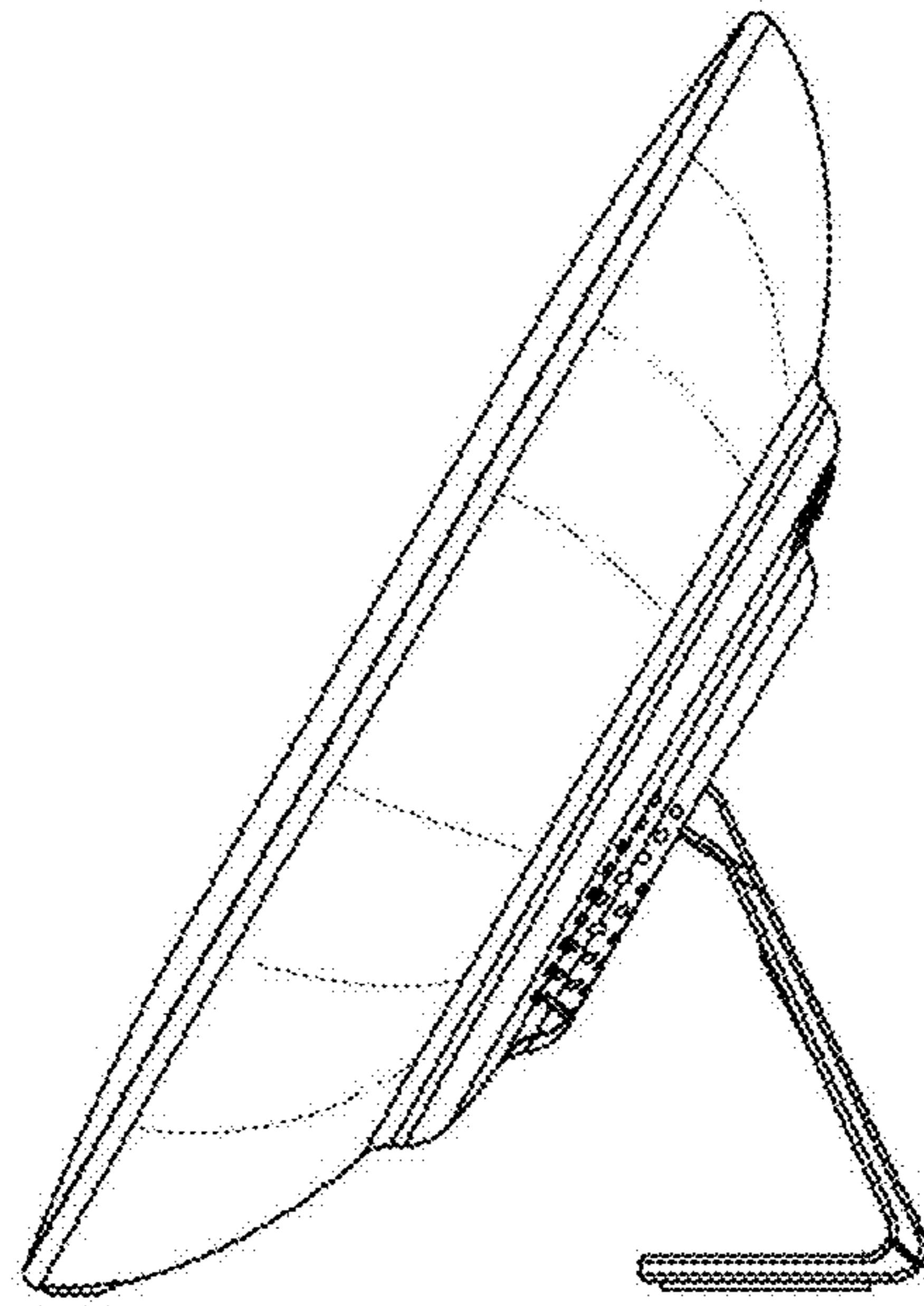


FIG.4

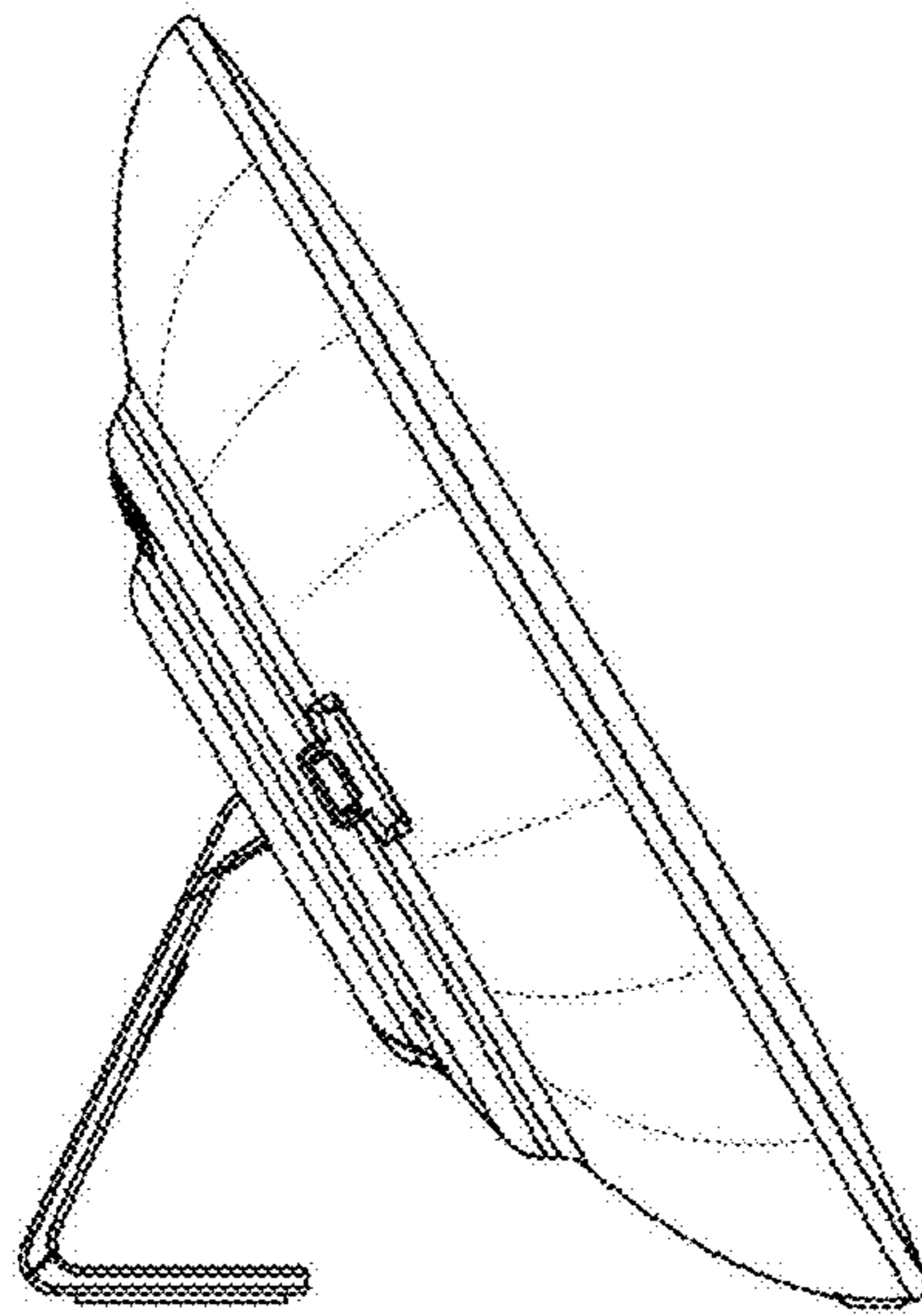


FIG.5

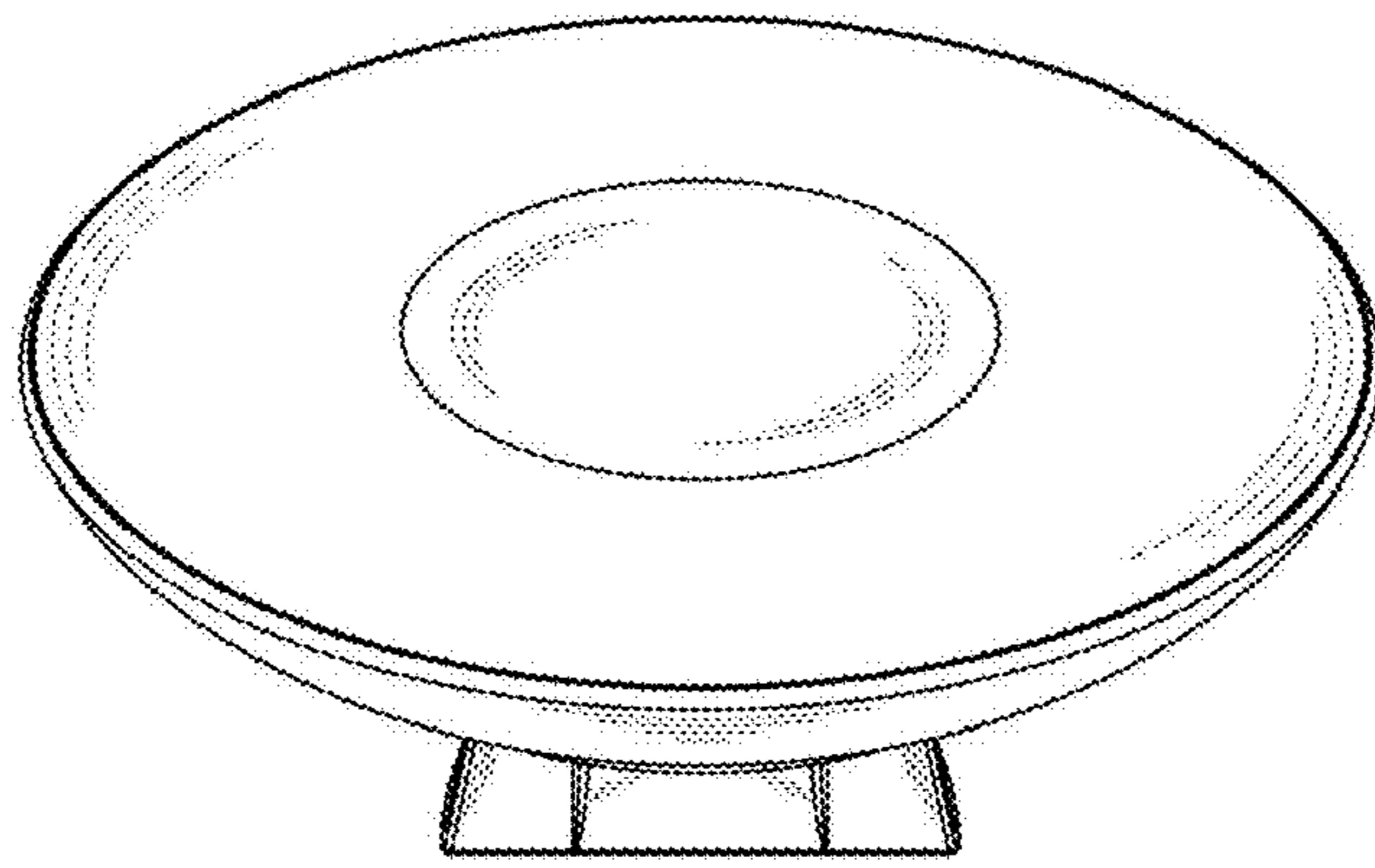


FIG.6

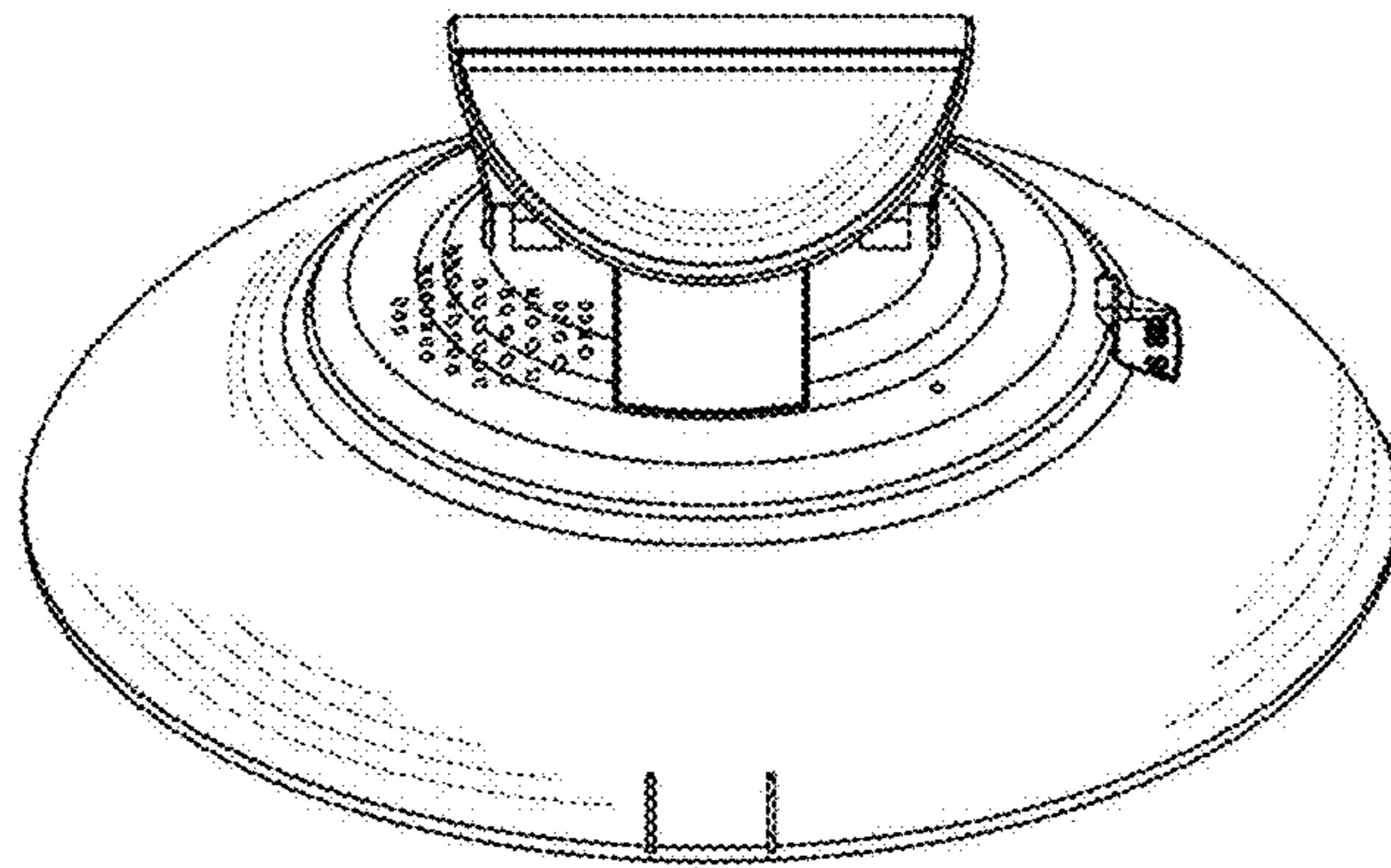


FIG.7