



US00D868981S

(12) **United States Design Patent** (10) **Patent No.:** **US D868,981 S**  
**Salamon et al.** (45) **Date of Patent:** **\*\* Dec. 3, 2019**

- (54) **HUMIDIFICATION APPARATUS**
- (71) Applicant: **Respiderm Corporation**, Little Rock, AR (US)
- (72) Inventors: **Tibor Salamon**, Little Rock, AR (US);  
**Nagy Rihárd**, Little Rock, AR (US);  
**Hosszú Gergely**, Little Rock, AR (US)
- (73) Assignee: **Respiderm Corporation**, Little Rock, AR (US)
- (\*\*) Term: **15 Years**
- (21) Appl. No.: **29/629,682**
- (22) Filed: **Dec. 14, 2017**
- (51) **LOC (12) Cl.** ..... **23-02**
- (52) **U.S. Cl.**  
USPC ..... **D24/203**
- (58) **Field of Classification Search**  
USPC ..... D24/201–205, 108, 110; D23/360;  
D28/9, 360; D9/448, 682, 685, 687–692  
CPC ..... A61H 2033/061; A61H 33/00; A61H  
33/066; A61H 33/067; A61H 33/0087;  
A61H 33/02; A61H 33/60; A61H  
33/6063; A61H 2201/105; A63B 21/0023;  
B65D 83/384  
See application file for complete search history.

D776,255 S \* 1/2017 Li ..... D24/110  
D806,857 S \* 1/2018 Hua ..... D24/110  
D835,290 S \* 12/2018 Galvin ..... D24/201  
2016/0074641 A1 \* 3/2016 Mehta ..... A61H 23/02  
604/290

**OTHER PUBLICATIONS**

Japanese Office Action Issued—Application No. 2018-013179; dated May 7, 2019, 3 Pages.

\* cited by examiner

*Primary Examiner* — Anhdao Doan

(74) *Attorney, Agent, or Firm* — Merchant & Gould P.C.

(57) **CLAIM**

The ornamental design for a humidification apparatus, as shown and described.

**DESCRIPTION**

FIG. 1 is a perspective view of a humidification apparatus; FIG. 2 is a front elevational view of the humidification apparatus of FIG. 1; FIG. 3 is a rear elevational view of the humidification apparatus of FIG. 1; FIG. 4 is a top plan view of the humidification apparatus of FIG. 1; FIG. 5 is a bottom plan view of the humidification apparatus of FIG. 1; FIG. 6 is a left side view of the humidification apparatus of FIG. 1; and, FIG. 7 is a right side view of the humidification apparatus of FIG. 1. The broken lines shown in the drawings illustrate portions of the humidification apparatus that form no part of the claimed design.

**1 Claim, 6 Drawing Sheets**

(56) **References Cited**

**U.S. PATENT DOCUMENTS**

- D416,998 S \* 11/1999 Hodson ..... D24/110
- D447,951 S \* 9/2001 Daansen ..... D9/448
- D521,864 S \* 5/2006 Cartoni ..... D9/448
- D675,330 S \* 1/2013 Lee ..... D24/201
- D709,617 S \* 7/2014 Iliesco de Grimaldi .... D24/203
- D720,627 S \* 1/2015 Chen ..... D9/688
- D724,694 S \* 3/2015 Bygbjerg ..... D23/213
- D771,798 S \* 11/2016 Li ..... D24/110
- D773,645 S \* 12/2016 Lee ..... D24/110

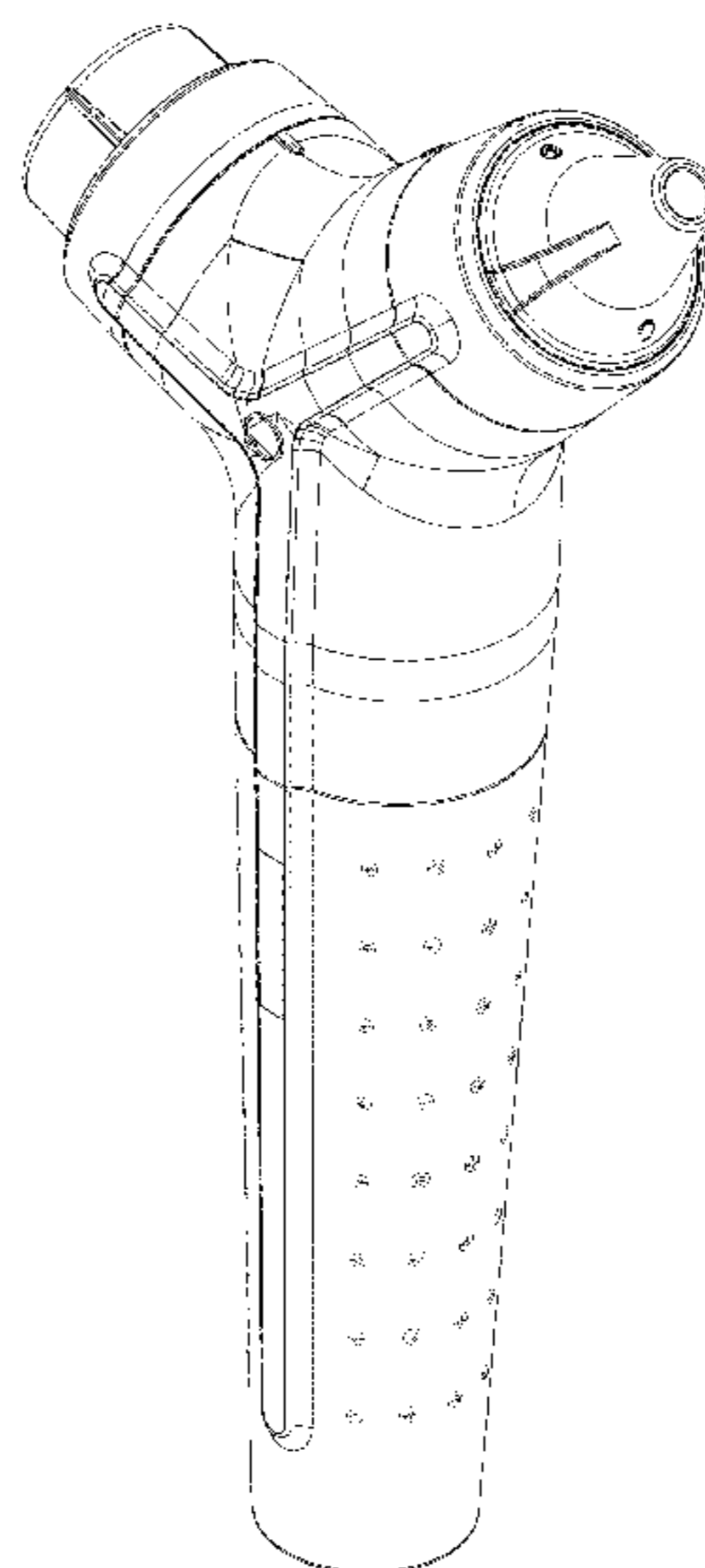


FIG. 1

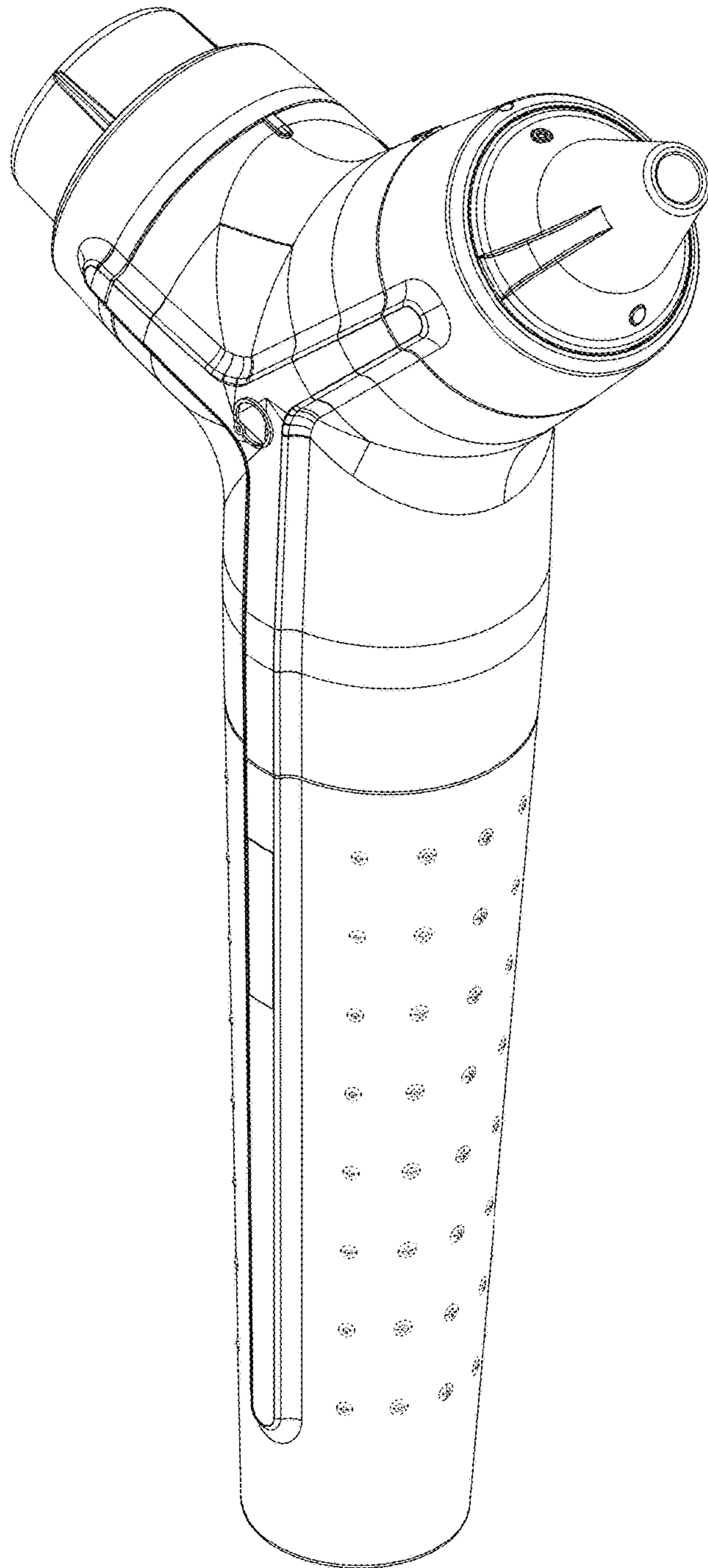


FIG. 2

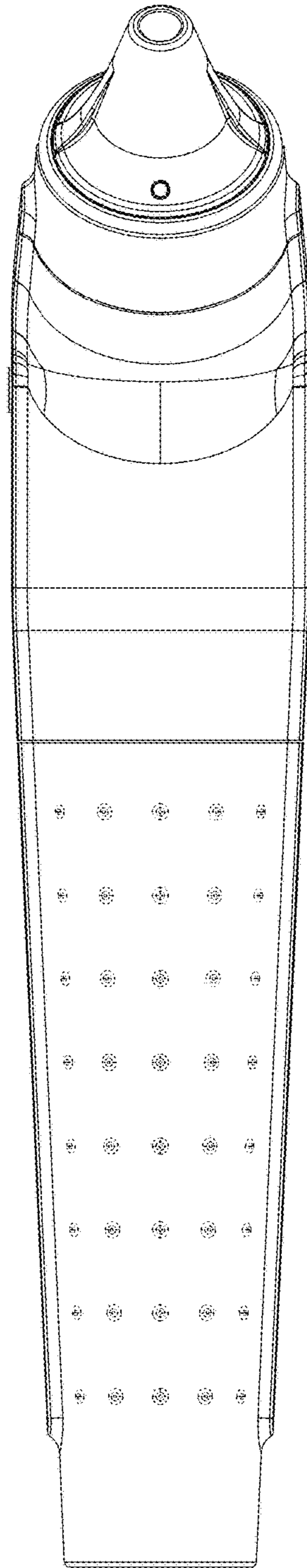
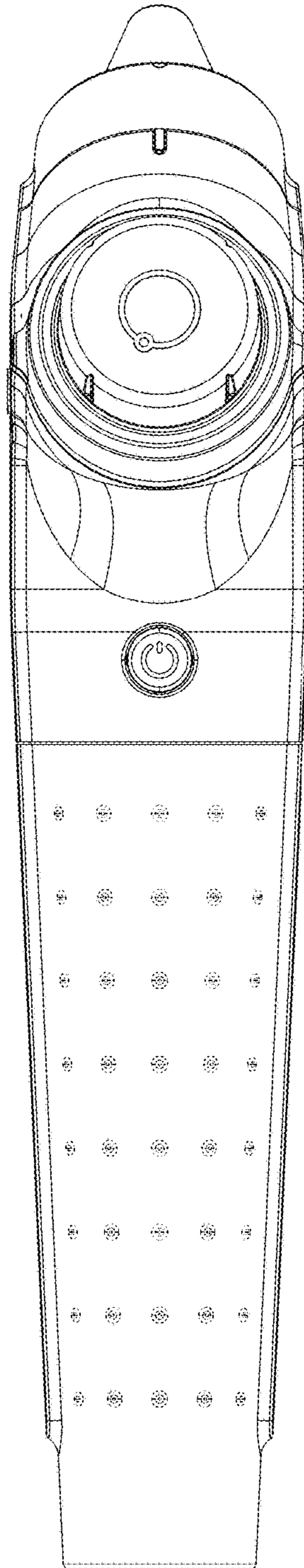


FIG. 3



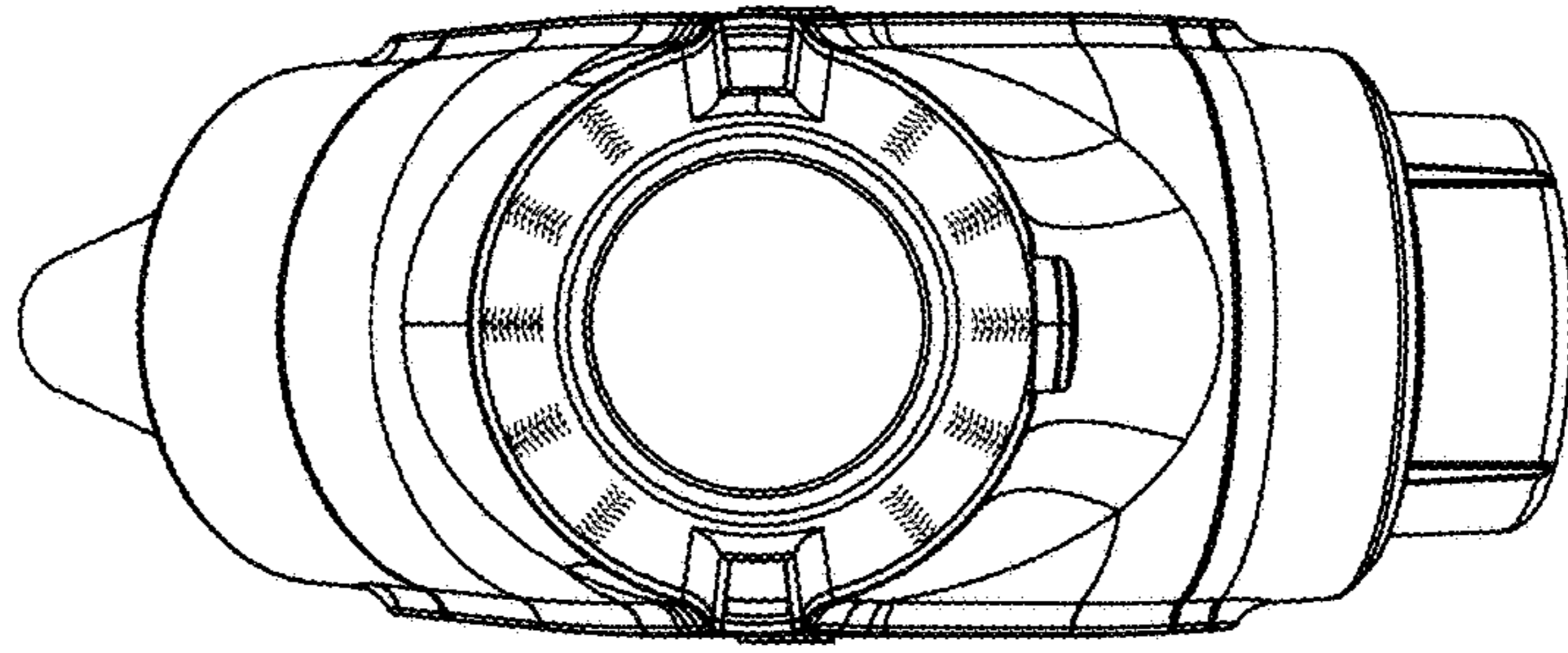


FIG. 5

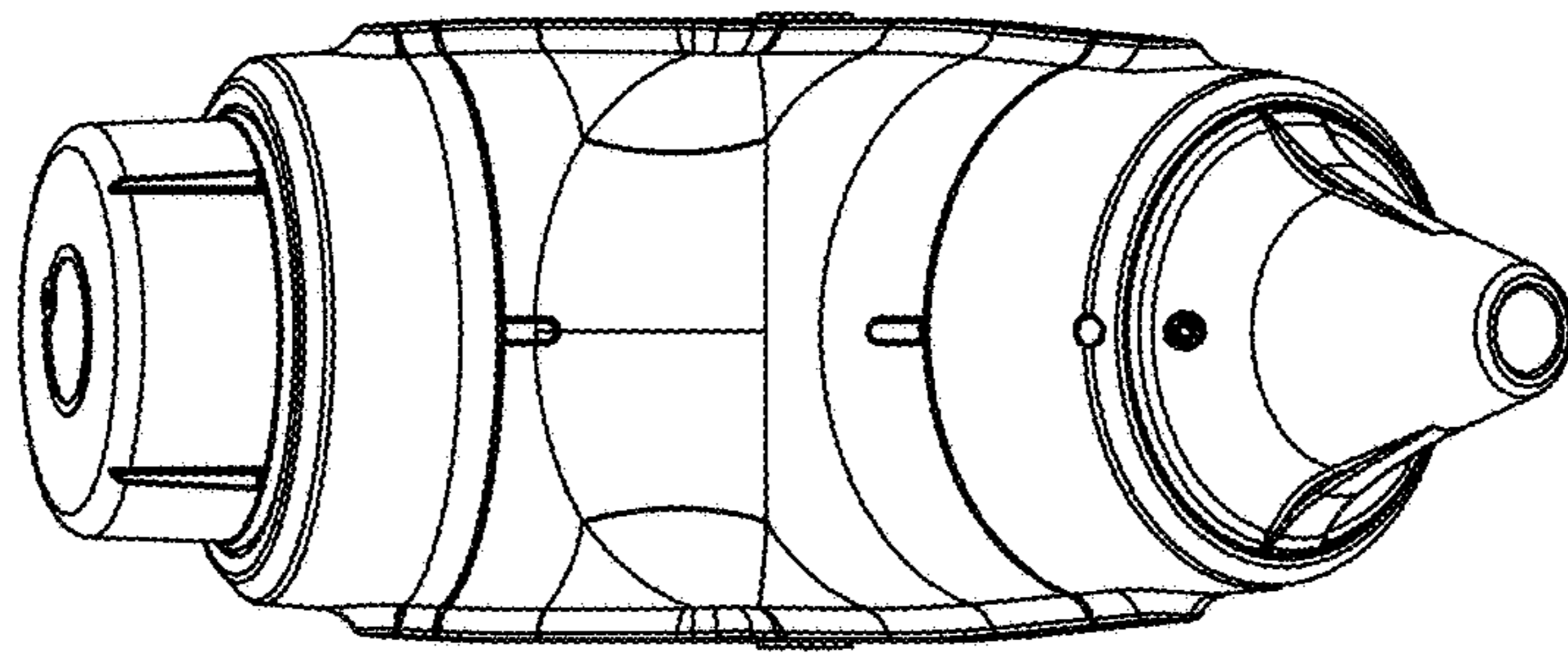


FIG. 4

FIG. 6

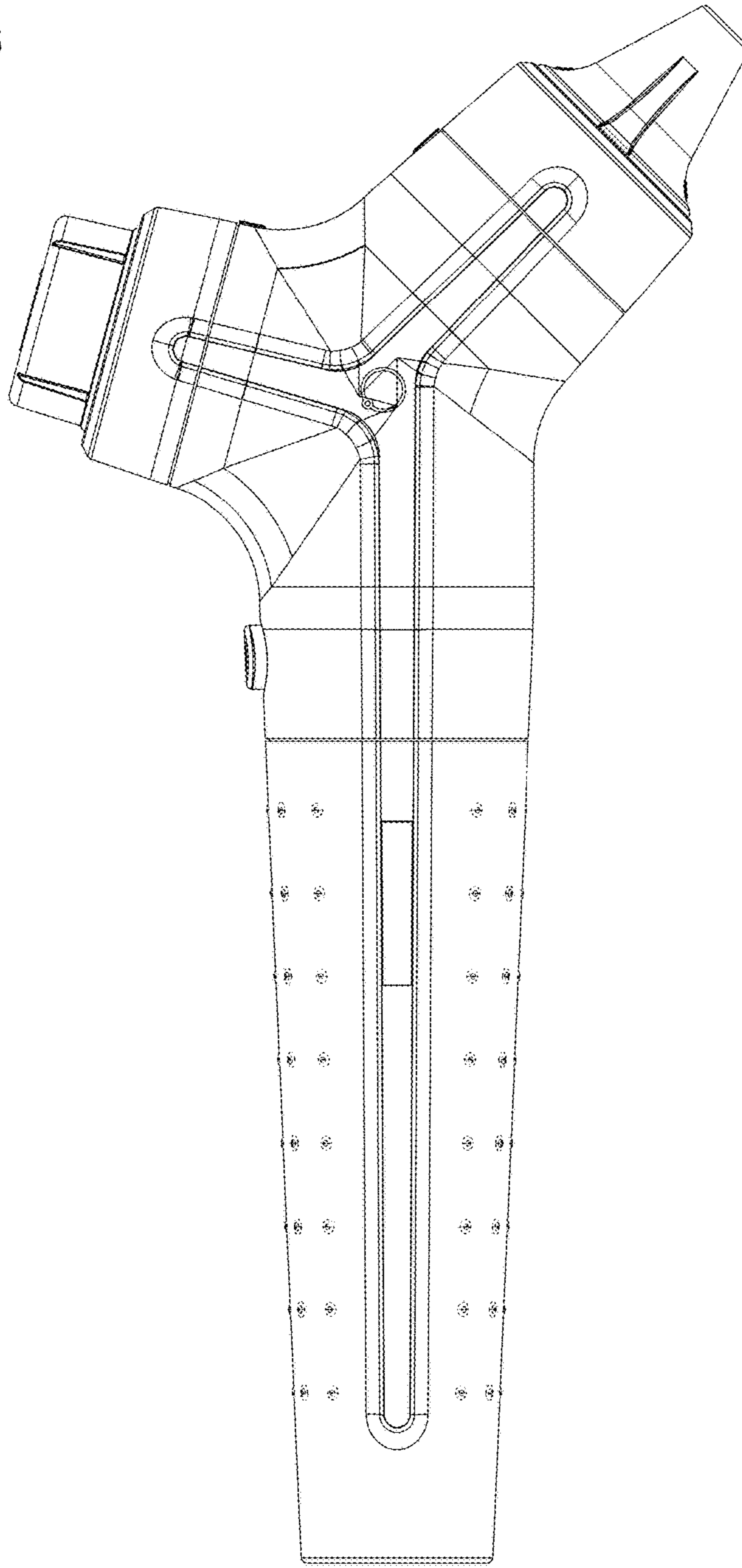


FIG. 7

