



US00D868979S

(12) **United States Design Patent** (10) **Patent No.:** **US D868,979 S**  
**O’Keefe** (45) **Date of Patent:** **\*\* Dec. 3, 2019**

(54) **ELBOW HARNESS**  
(71) Applicant: **The Nexxbar Equipment Inc.**, Mount Pearl (CA)  
(72) Inventor: **Ross P. O’Keefe**, Mount Pearl (CA)  
(\*\*) Term: **15 Years**  
(21) Appl. No.: **29/628,158**  
(22) Filed: **Dec. 1, 2017**  
(51) **LOC (12) Cl.** ..... **24-01**  
(52) **U.S. Cl.**  
USPC ..... **D24/190**  
(58) **Field of Classification Search**  
USPC ..... D24/188–192; D29/120.1, 121.1  
CPC ..... A61H 15/0092; A61H 15/00; A61H 2015/0014; A61H 9/0078; A61F 13/085; A61F 7/02; A61F 2007/0054  
See application file for complete search history.

D685,107 S \* 6/2013 Oller, Jr. .... D24/215  
9,005,146 B2 4/2015 Phillips  
9,107,795 B2 8/2015 Faussett  
D808,028 S \* 1/2018 Richards ..... D24/190  
D818,595 S \* 5/2018 Bledsoe ..... D24/190  
2013/0096472 A1 4/2013 Bertram et al.  
2014/0276280 A1 9/2014 Oller, Jr.  
2015/0011921 A1 1/2015 Sidhu  
2015/0290013 A1\* 10/2015 Mueller ..... A61F 5/0123  
602/26  
2016/0008213 A1 1/2016 Cheng

\* cited by examiner

*Primary Examiner* — Jennifer L Watkins

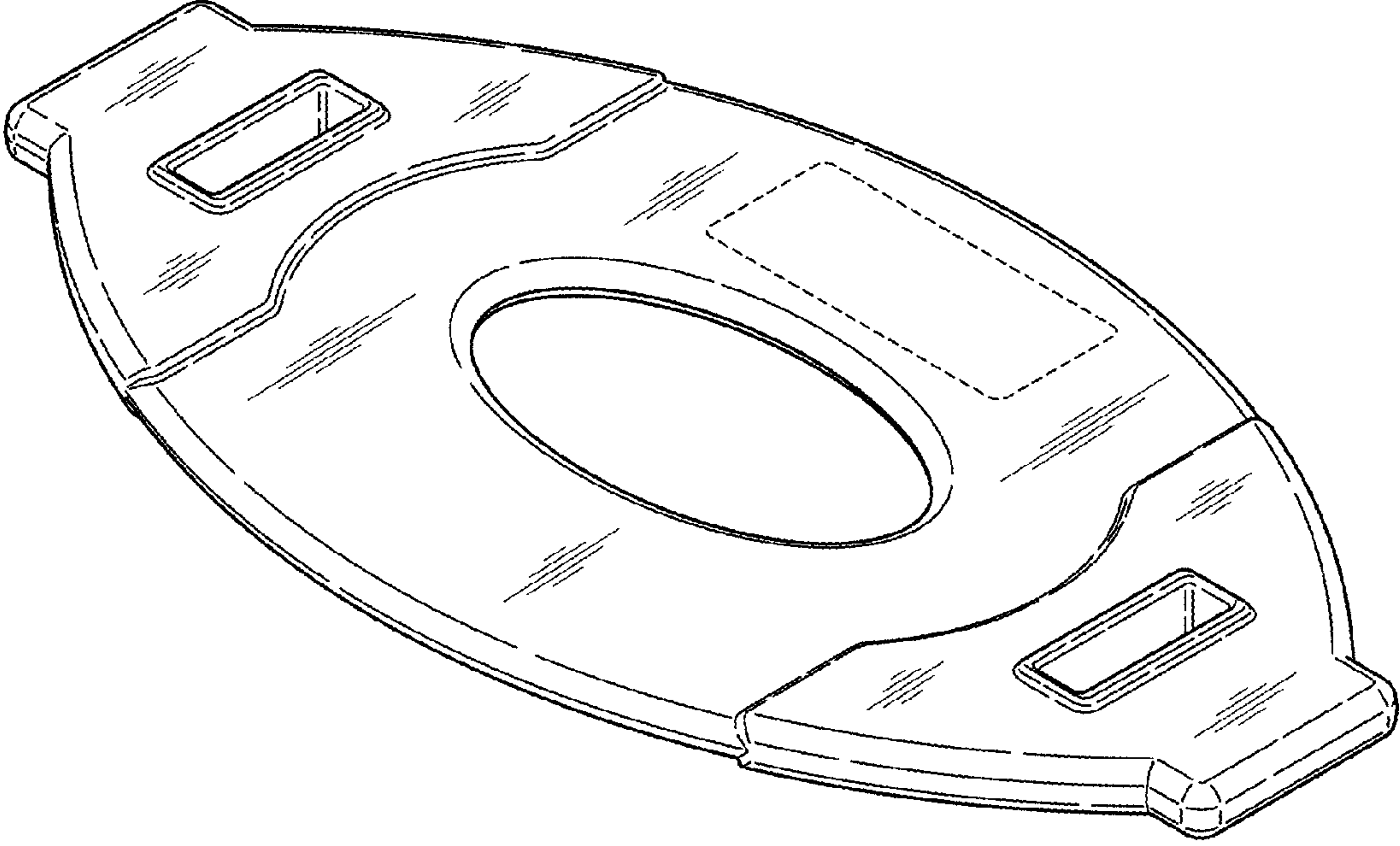
(57) **CLAIM**  
The ornamental design for an elbow harness, as shown and described.

**DESCRIPTION**

FIG. 1 is a front, right perspective view of an elbow harness of the design;  
FIG. 2 is a top view thereof;  
FIG. 3 is a bottom view thereof;  
FIG. 4 is a front elevation view thereof, the rear elevation view being the same;  
FIG. 5 is a right elevation view thereof, the left elevation view being the same; and,  
FIG. 6 is an environmental view thereof.  
The broken lines are for the purpose of depicting environment and form no part of the claim.

**1 Claim, 4 Drawing Sheets**

(56) **References Cited**  
U.S. PATENT DOCUMENTS  
4,648,387 A 3/1987 Simmons  
5,364,338 A 11/1994 Terashima  
5,545,456 A 8/1996 Suida  
D500,574 S \* 1/2005 Beland ..... D29/121.1  
6,849,055 B1 2/2005 Williams



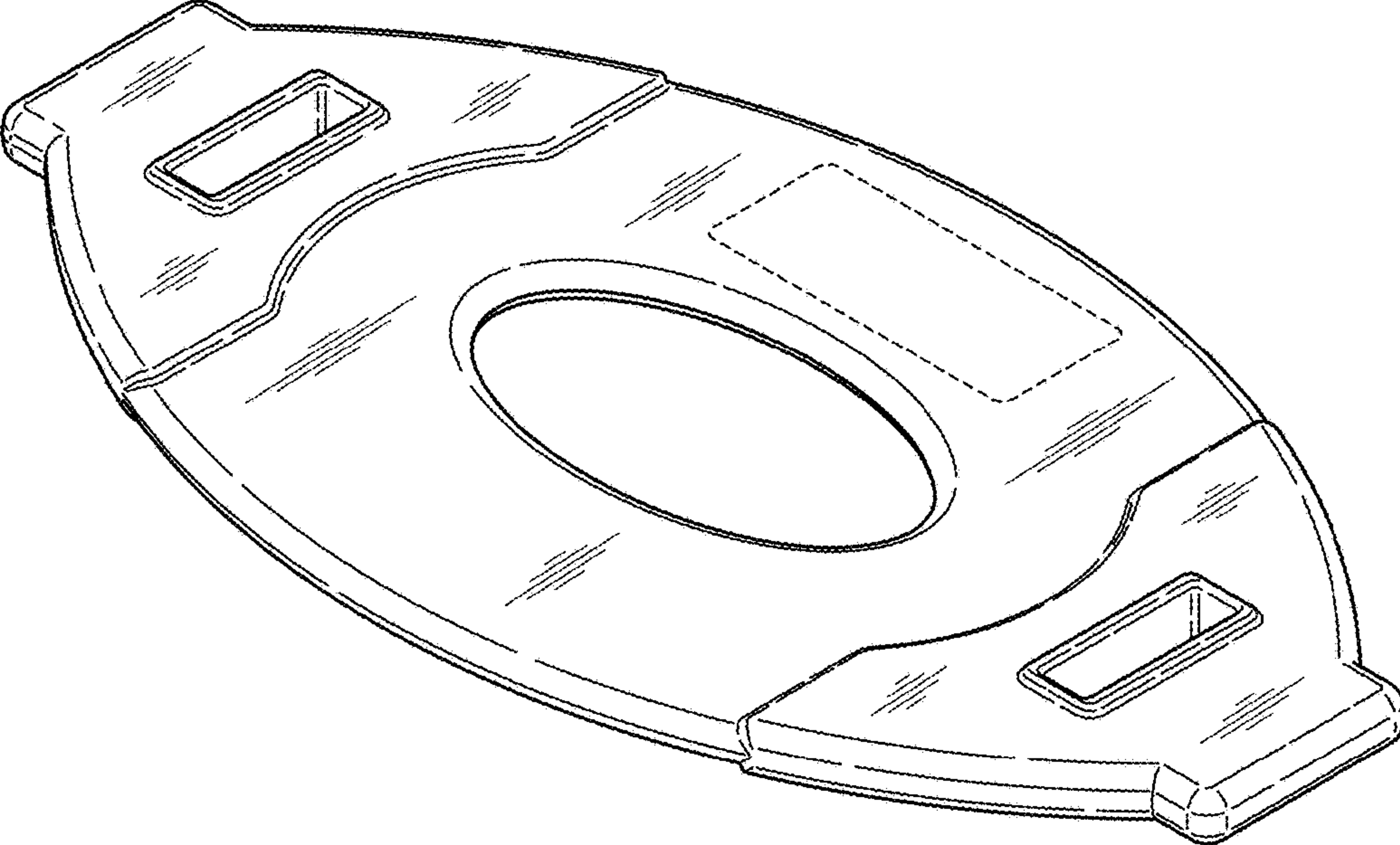


FIG. 1

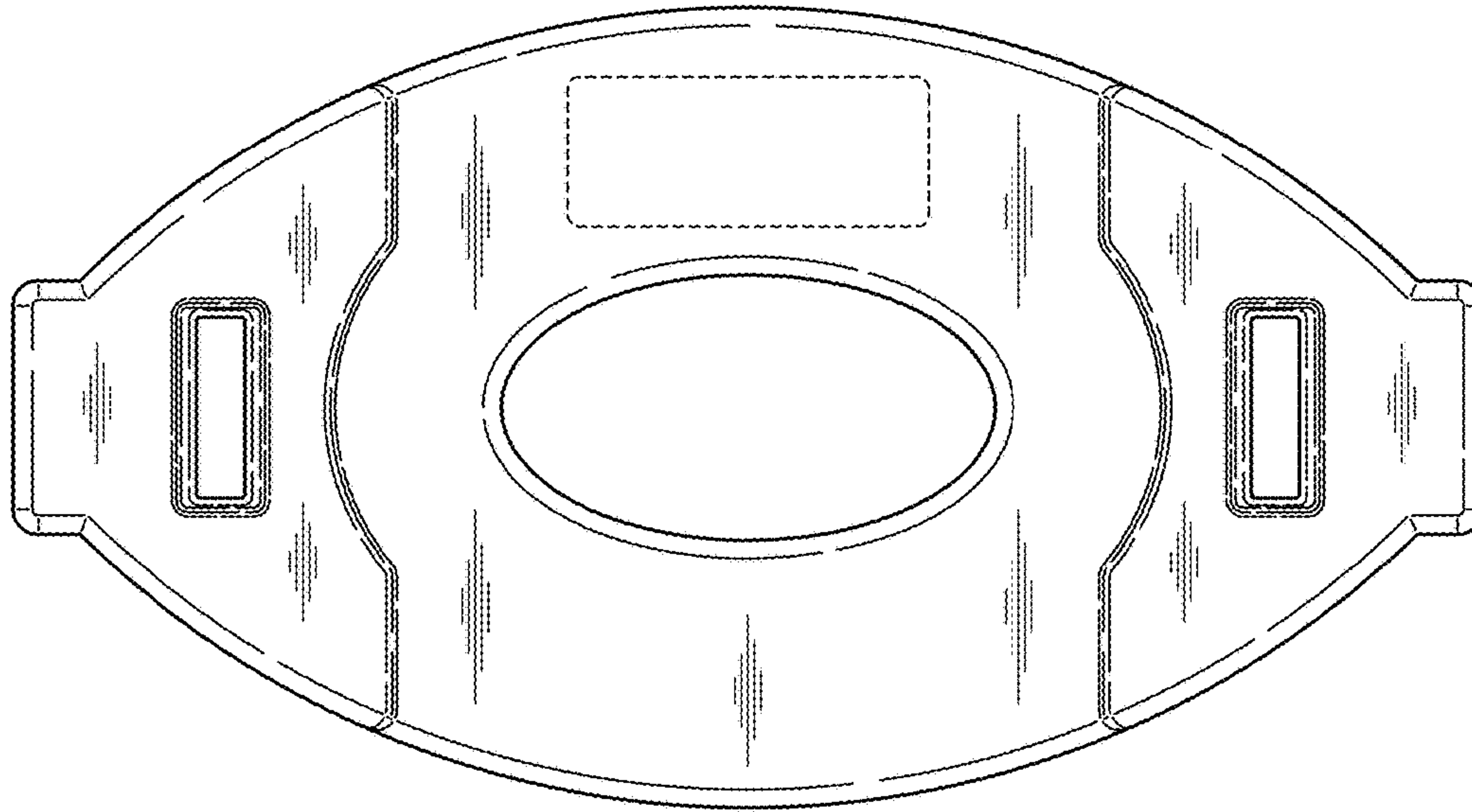


FIG. 2

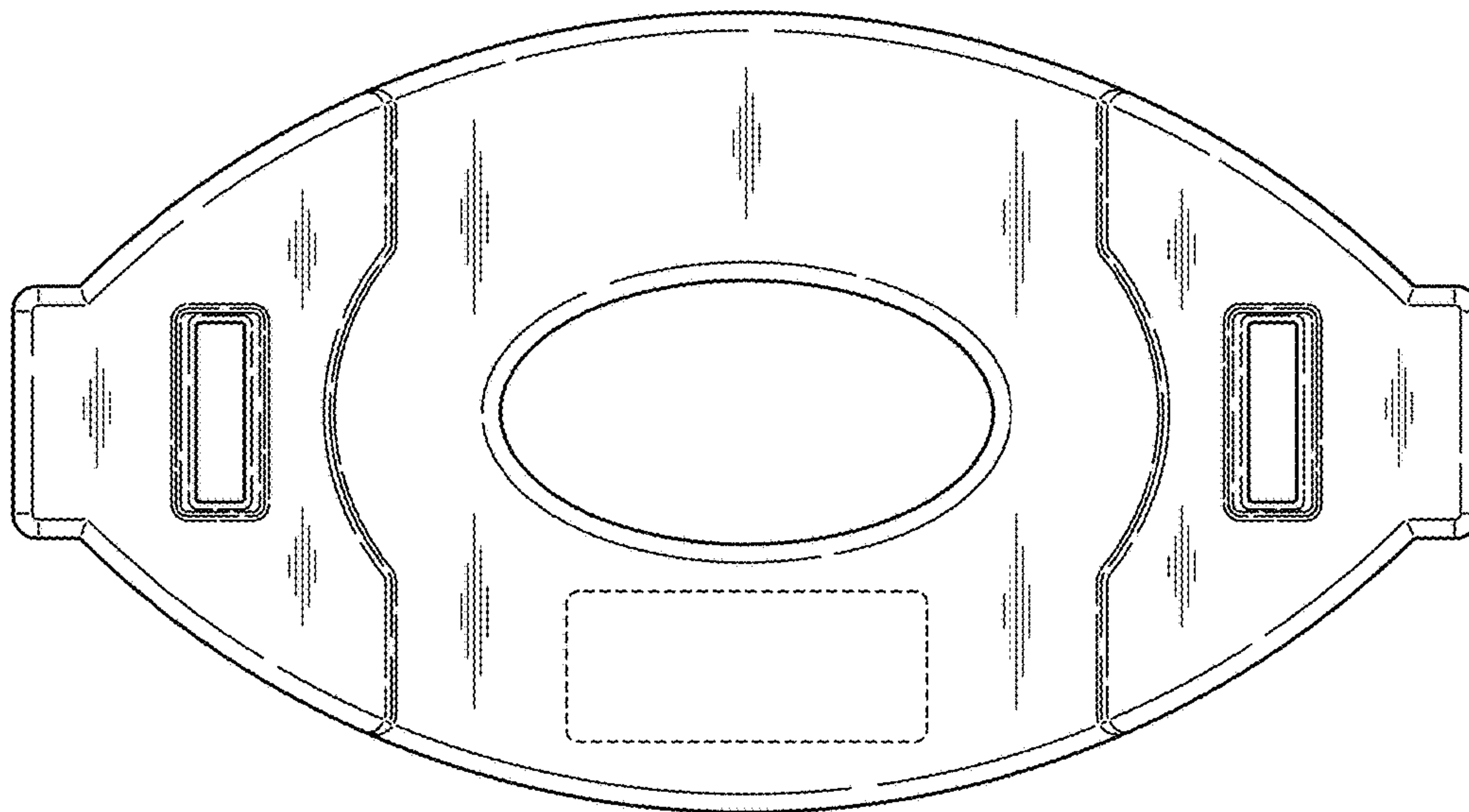


FIG. 3

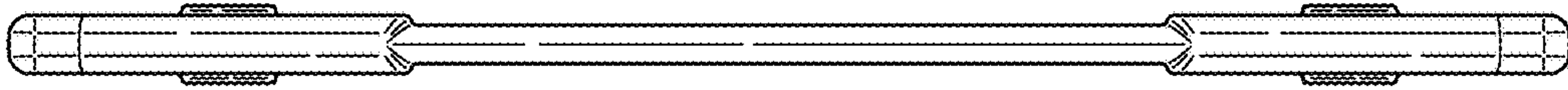


FIG. 4

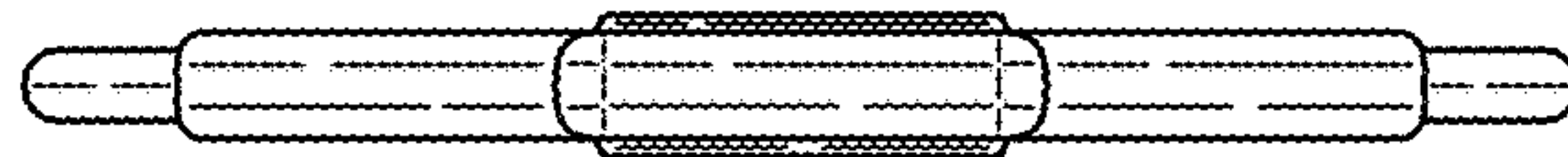
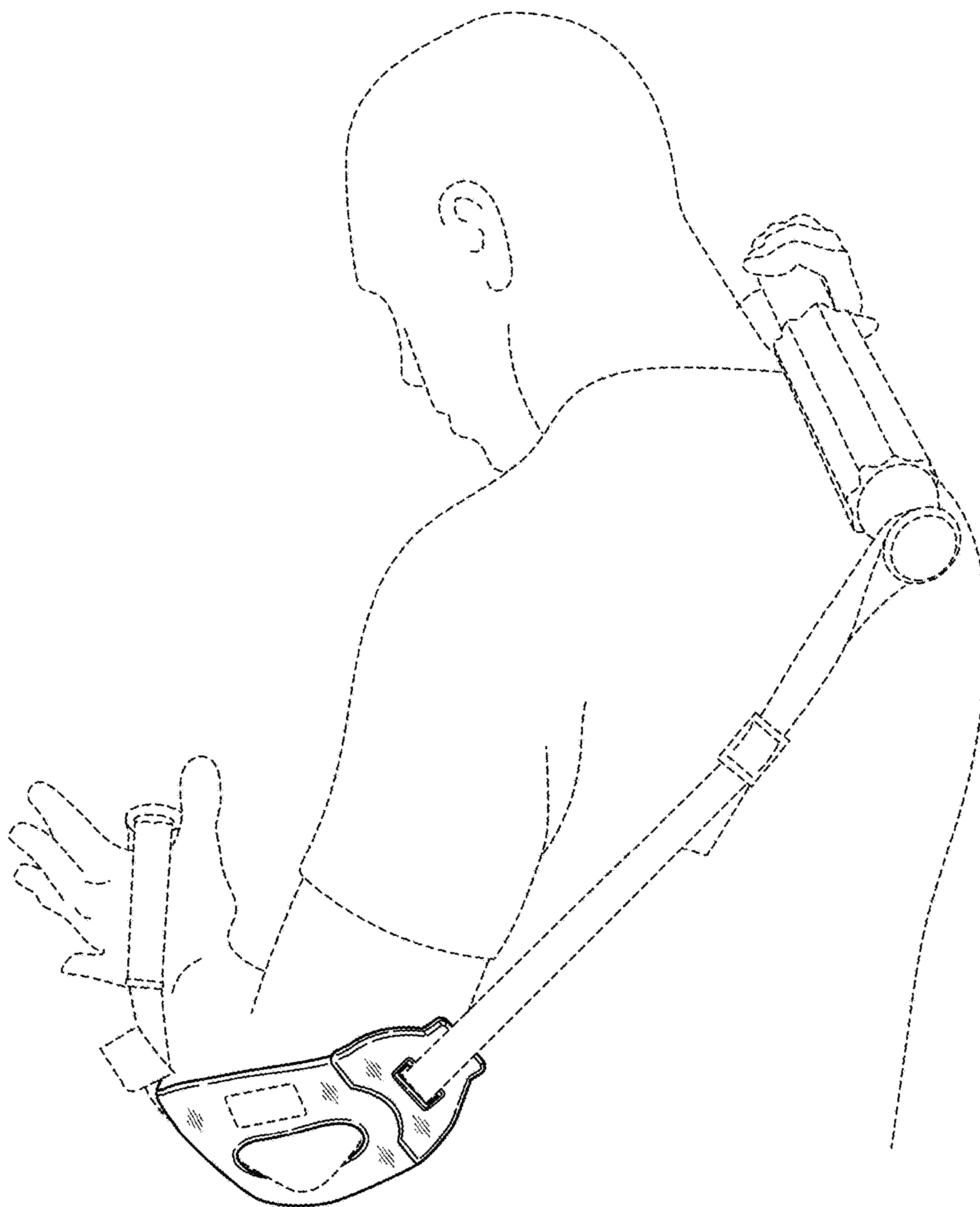


FIG. 5



**FIG. 6**