



US00D868977S

(12) **United States Design Patent** (10) **Patent No.:** **US D868,977 S**
Vardi (45) **Date of Patent:** **** Dec. 3, 2019**

(54) **WEARABLE MEDICAL MONITOR**

(71) Applicant: **ETROG SYSTEMS LTD.**, Jerusalem (IL)

(72) Inventor: **Eyal Dov Vardi**, Bet Nir (IL)

(73) Assignee: **Etrog Systems LTD.**, Jerusalem (IL)

(**) Term: **15 Years**

(21) Appl. No.: **29/643,762**

(22) Filed: **Apr. 11, 2018**

(51) **LOC (12) Cl.** **24-01**

(52) **U.S. Cl.**
USPC **D24/186**

(58) **Field of Classification Search**
USPC D24/107, 167, 186, 187; D10/70, 75, 98, D10/97; D14/344
CPC A61B 5/6801; A61B 5/681; A61B 5/6819; A61B 5/6823; A61B 5/6824; A61B 5/02405; A61B 5/02427; A61B 5/02438; A61B 2560/0412; A61B 2560/0418; A61B 2562/162; A61B 2562/164; A61B 2562/0295; A61B 2562/18; A61B 5/0402; A61B 5/0404

See application file for complete search history.

(56) **References Cited**

U.S. PATENT DOCUMENTS

D519,636 S * 4/2006 Okuda D24/168
7,330,751 B2 * 2/2008 Ueda A61B 5/02438
600/382
D718,867 S * 12/2014 Schroderus D24/167

D763,938 S * 8/2016 Muehlemann D24/187
D811,598 S * 2/2018 Baek D24/167
2012/0197150 A1 * 8/2012 Cao A61B 5/0432
600/523

* cited by examiner

Primary Examiner — Anhdao Doan

(74) *Attorney, Agent, or Firm* — Amster, Rothstein & Ebenstein LLP

(57) **CLAIM**

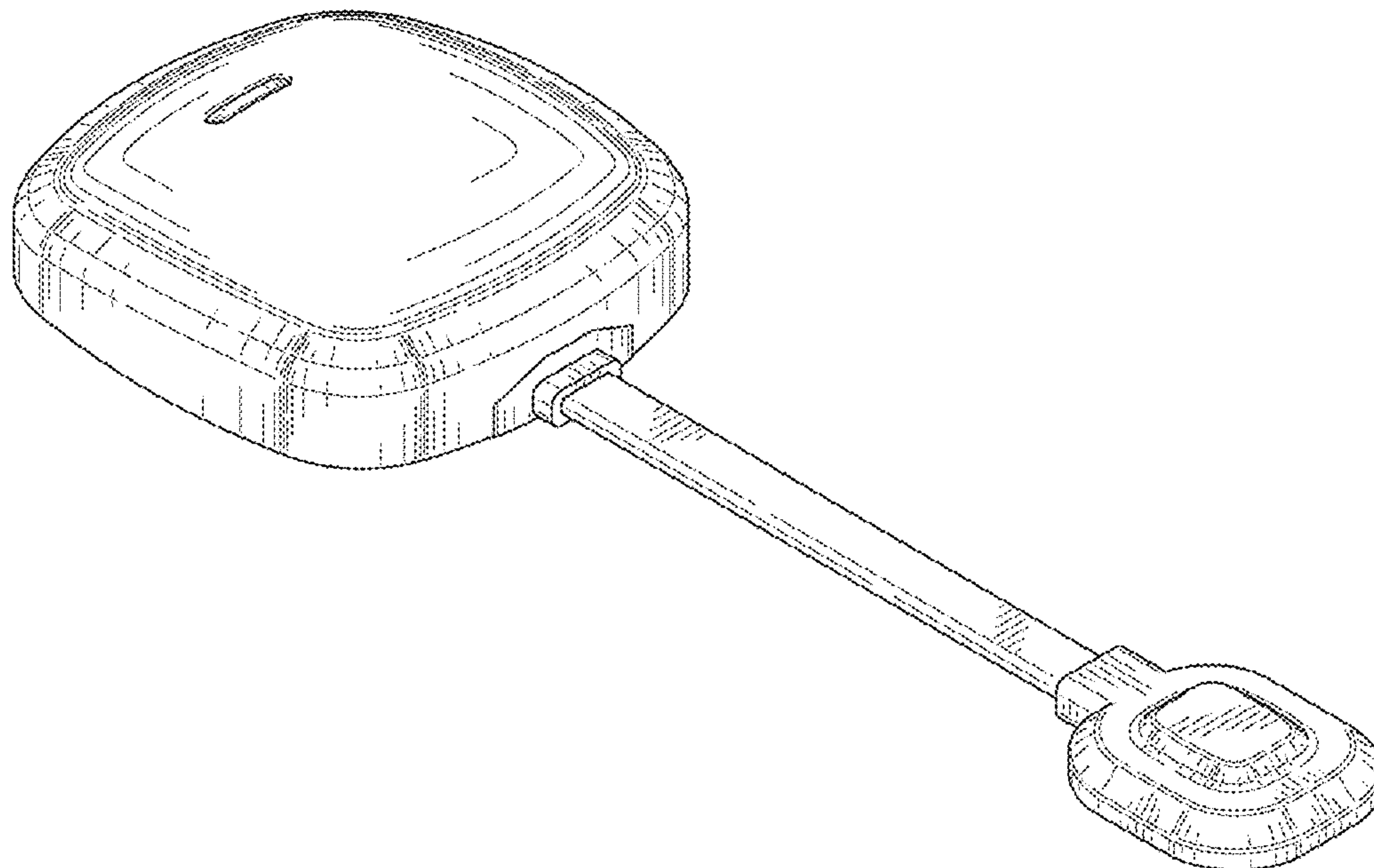
The ornamental design for a wearable medical monitor, as shown and described.

DESCRIPTION

FIG. 1 is top perspective view of a wearable medical monitor showing my new design;
FIG. 2 is a front view thereof;
FIG. 3 is a rear view thereof;
FIG. 4 is a side view thereof;
FIG. 5 is an opposite side view thereof;
FIG. 6 is a top view thereof;
FIG. 7 is a bottom view thereof;
FIG. 8 is a bottom perspective view thereof;
FIG. 9 is a top perspective view of another embodiment of a wearable monitor showing my new design;
FIG. 10 is a front view thereof;
FIG. 11 is a rear view thereof;
FIG. 12 is a side view thereof;
FIG. 13 is an opposite side view thereof;
FIG. 14 is a top view thereof;
FIG. 15 is a bottom view thereof; and,
FIG. 16 is a bottom perspective view thereof.

The broken lines shown in FIGS. 9 and 14 represent the bounds of the claim and form no part of the claimed design.

1 Claim, 10 Drawing Sheets



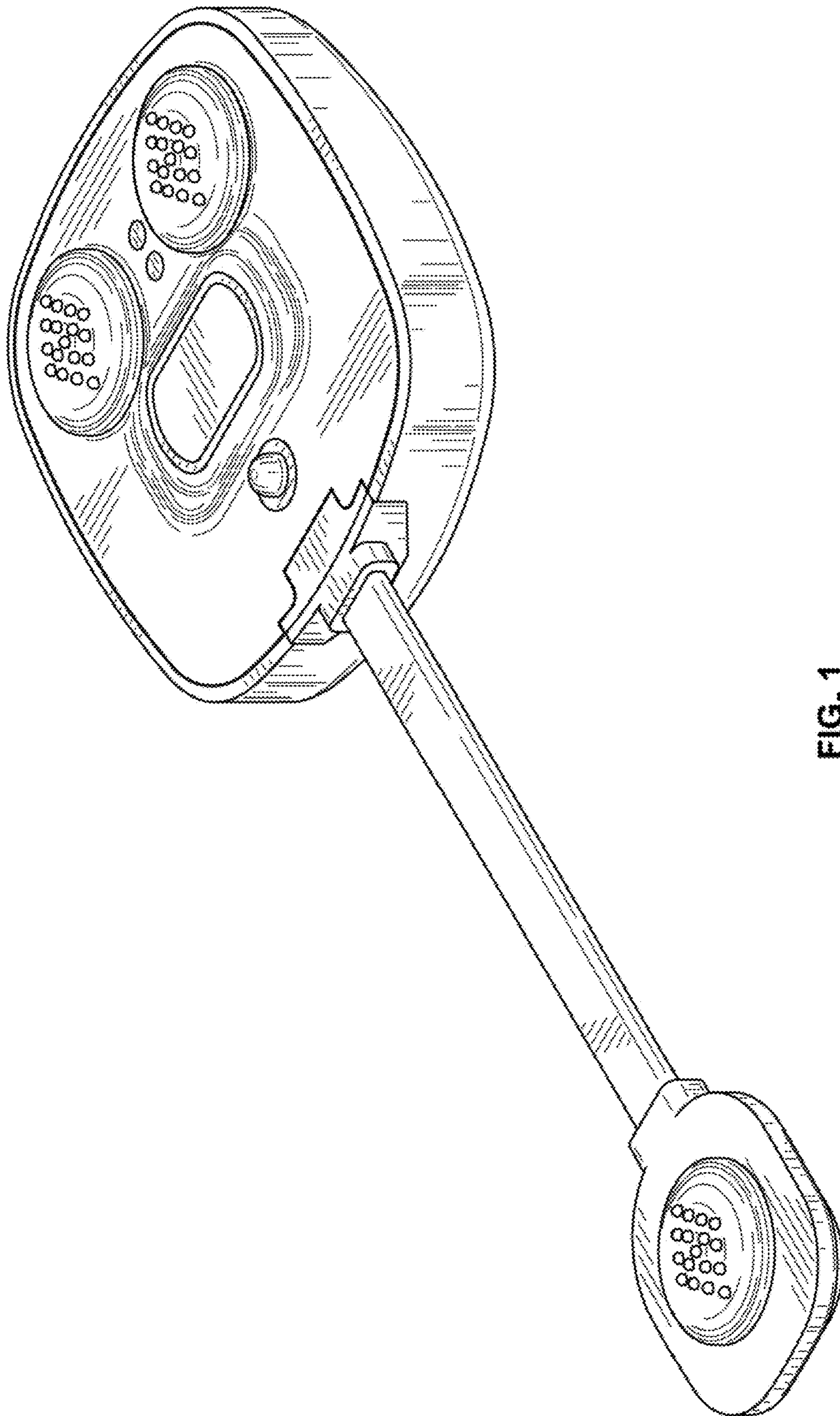


FIG. 1

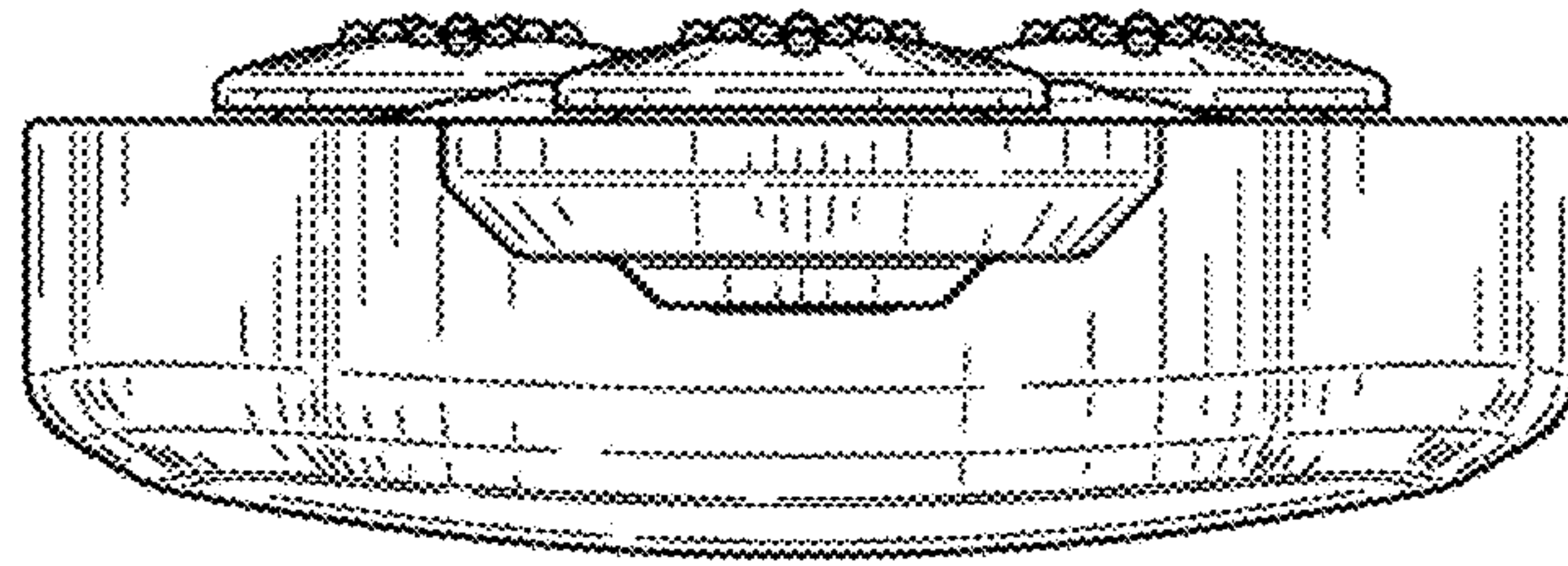


FIG. 2

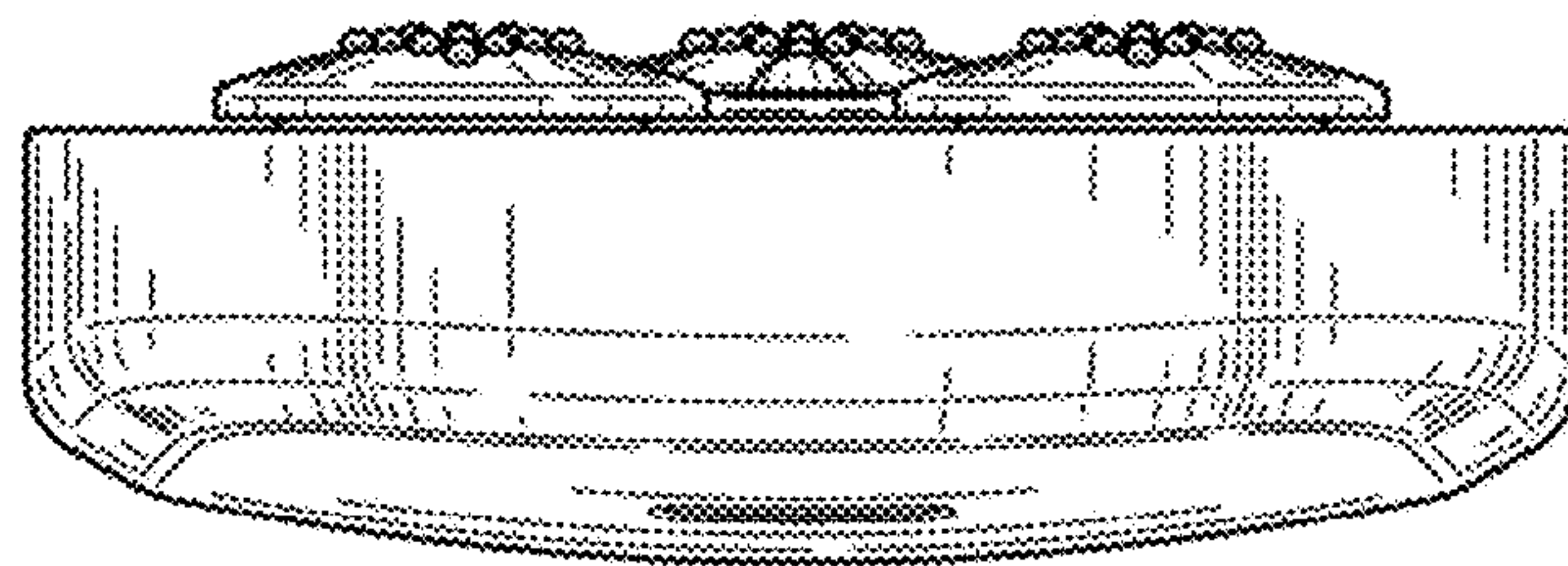


FIG. 3

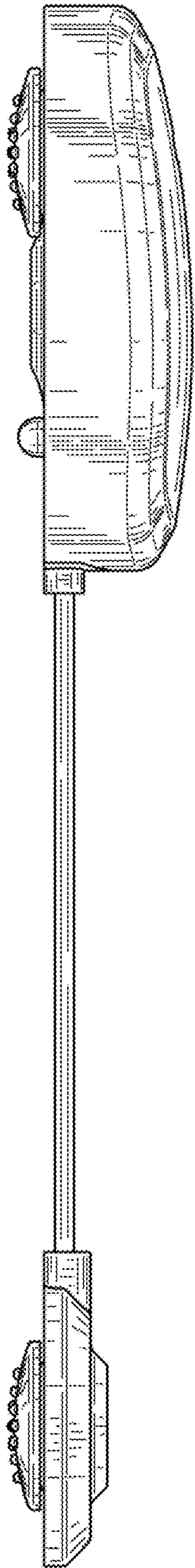


FIG. 4

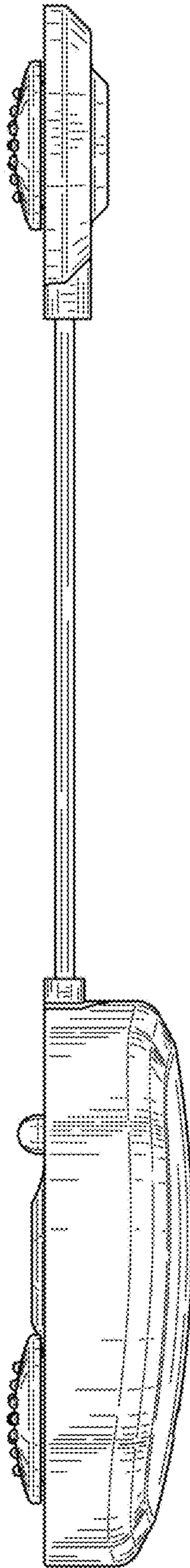


FIG. 5

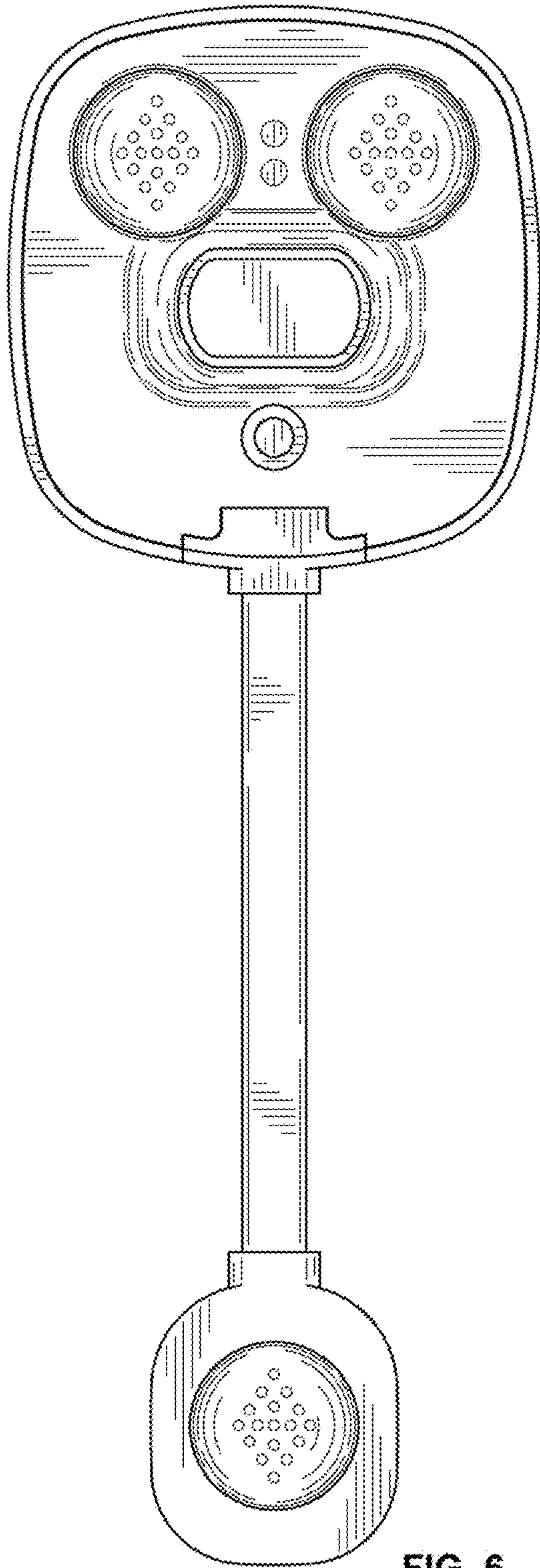


FIG. 6

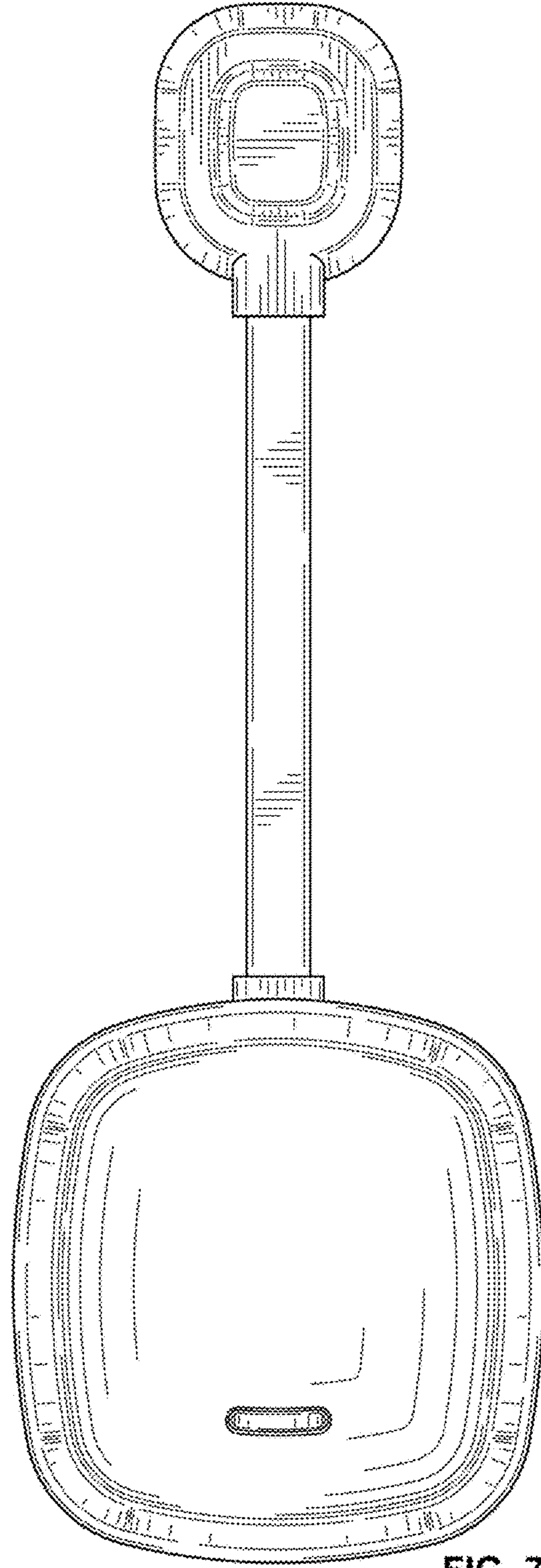


FIG. 7

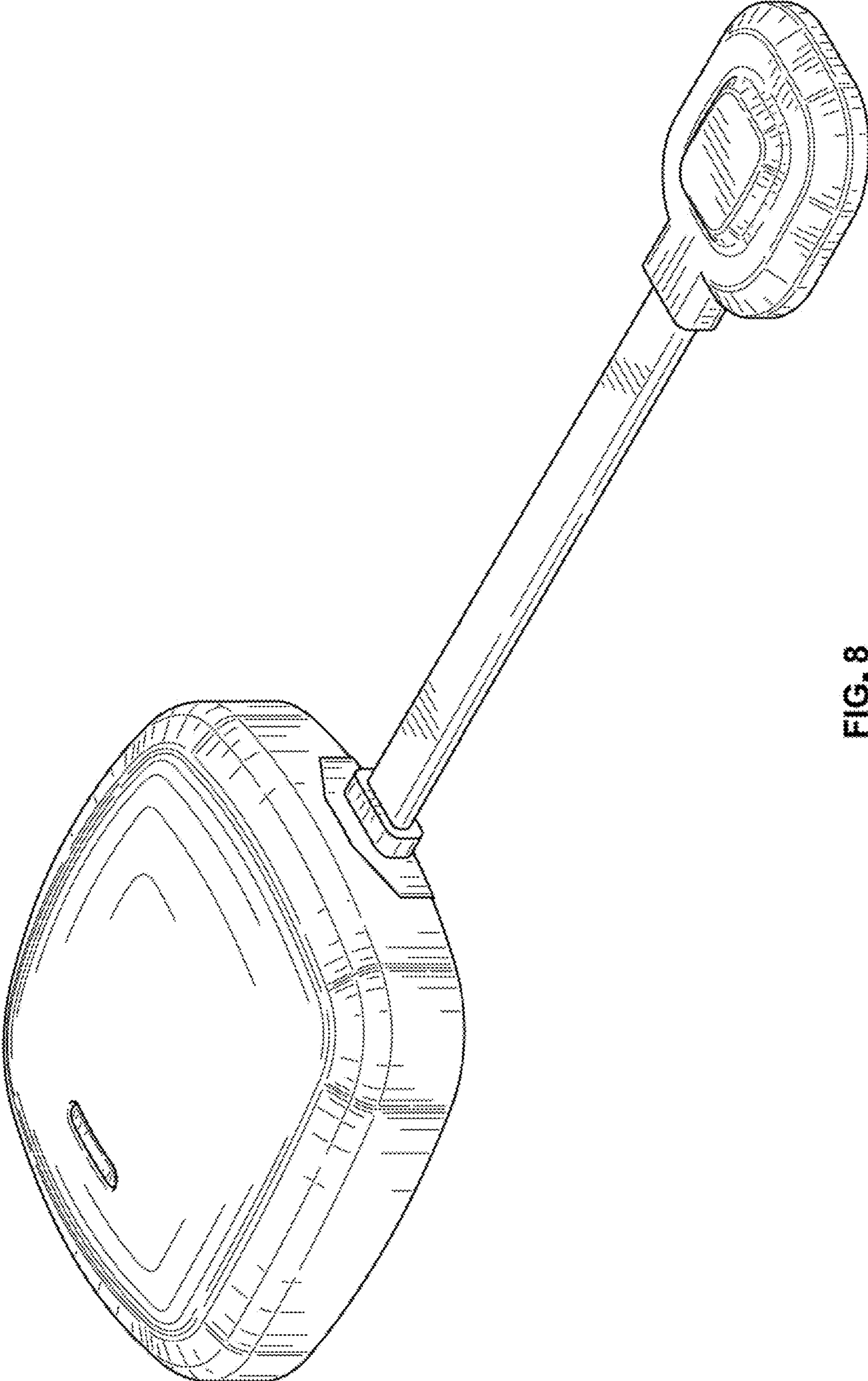


FIG. 8

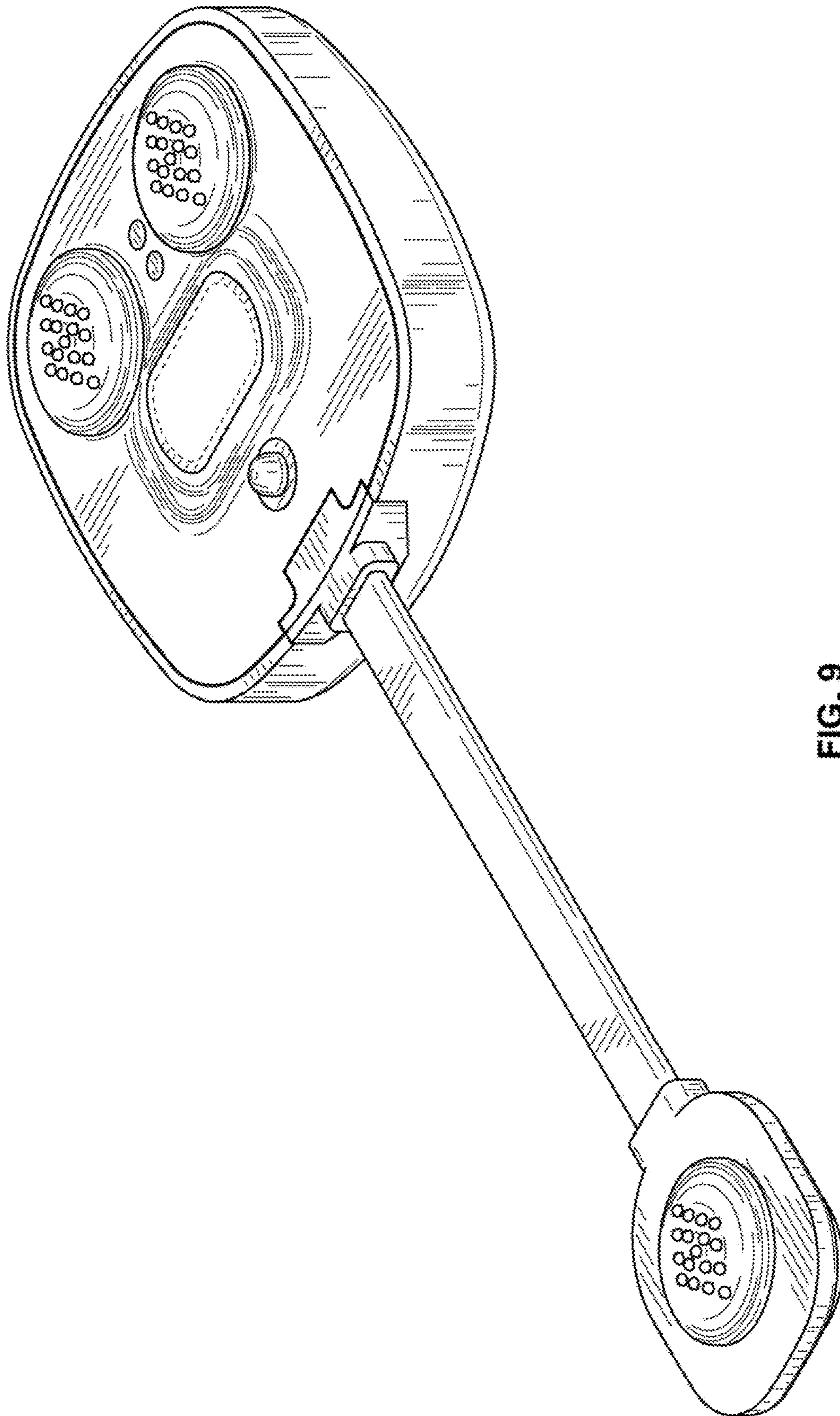


FIG. 9

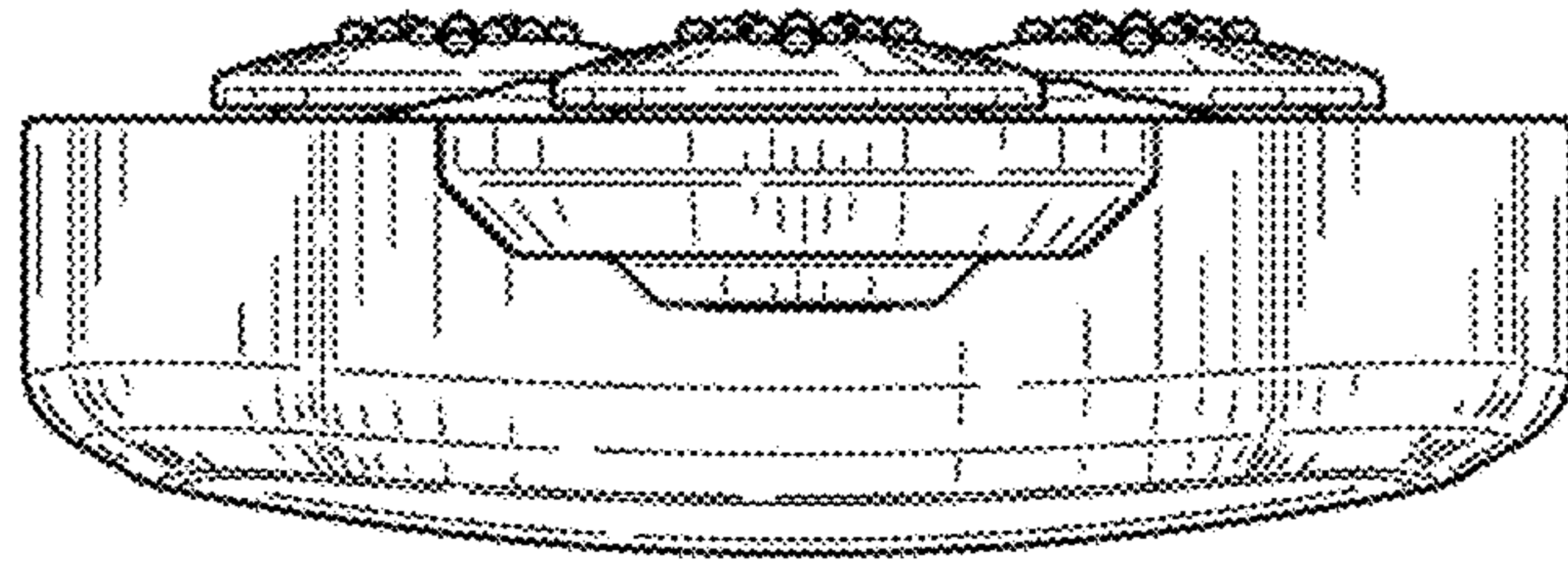


FIG. 10

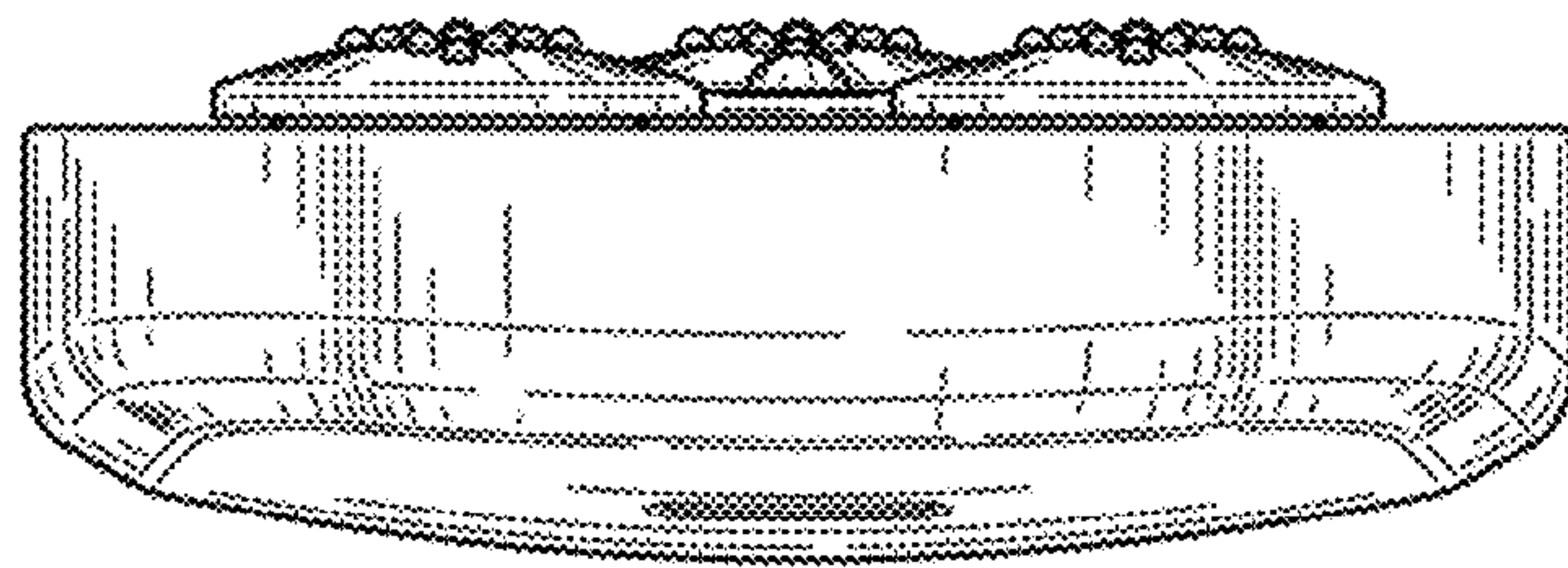


FIG. 11

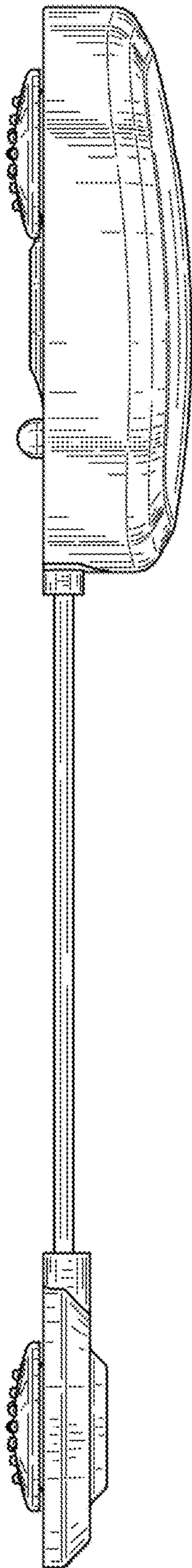


FIG. 12

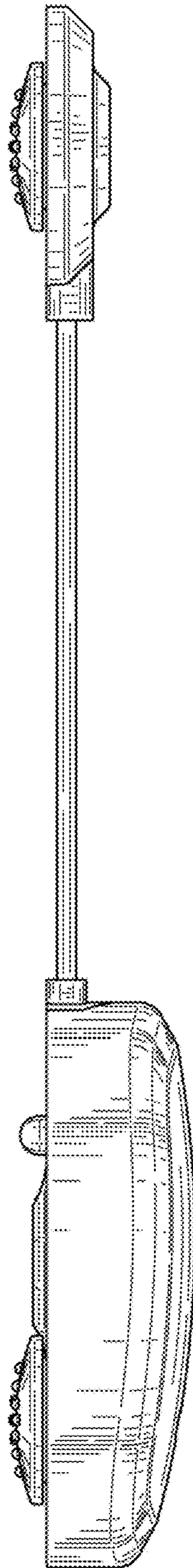


FIG. 13

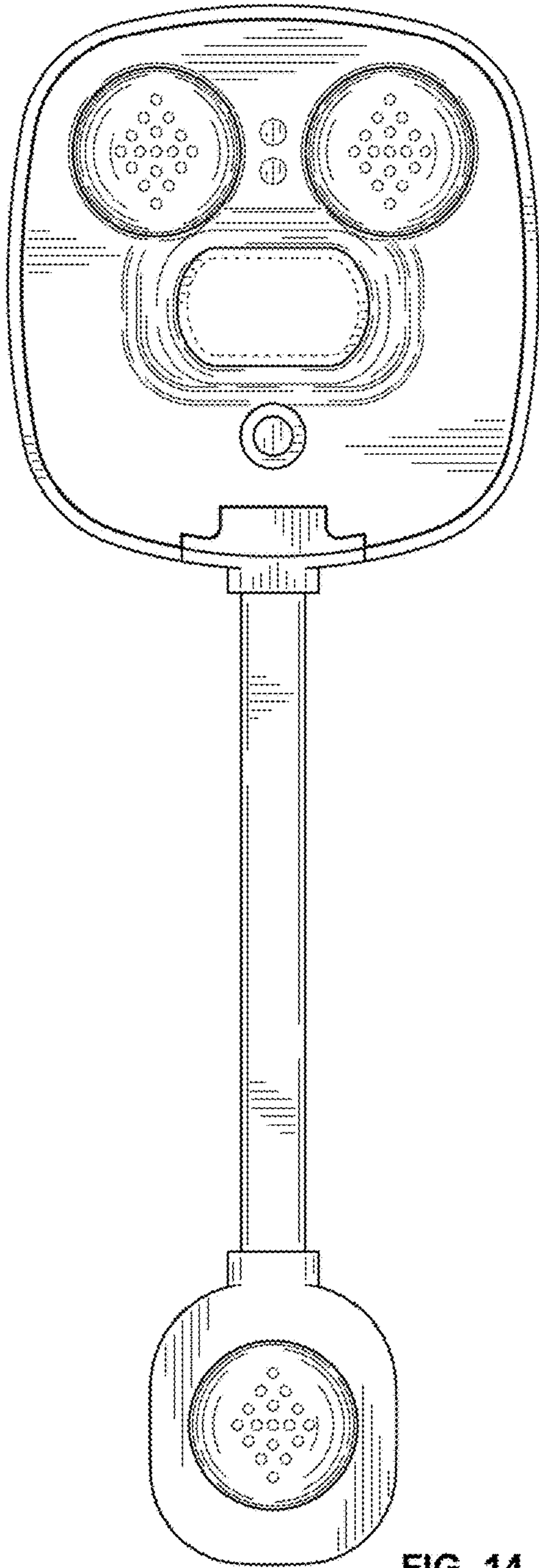


FIG. 14

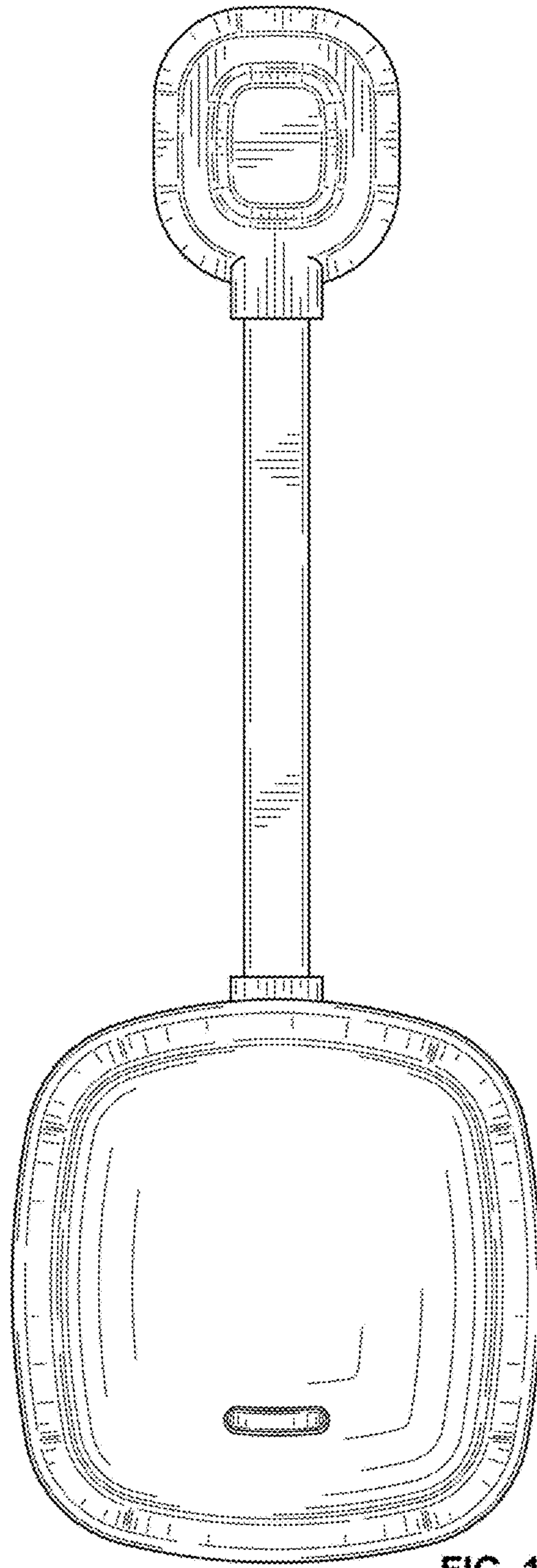


FIG. 15

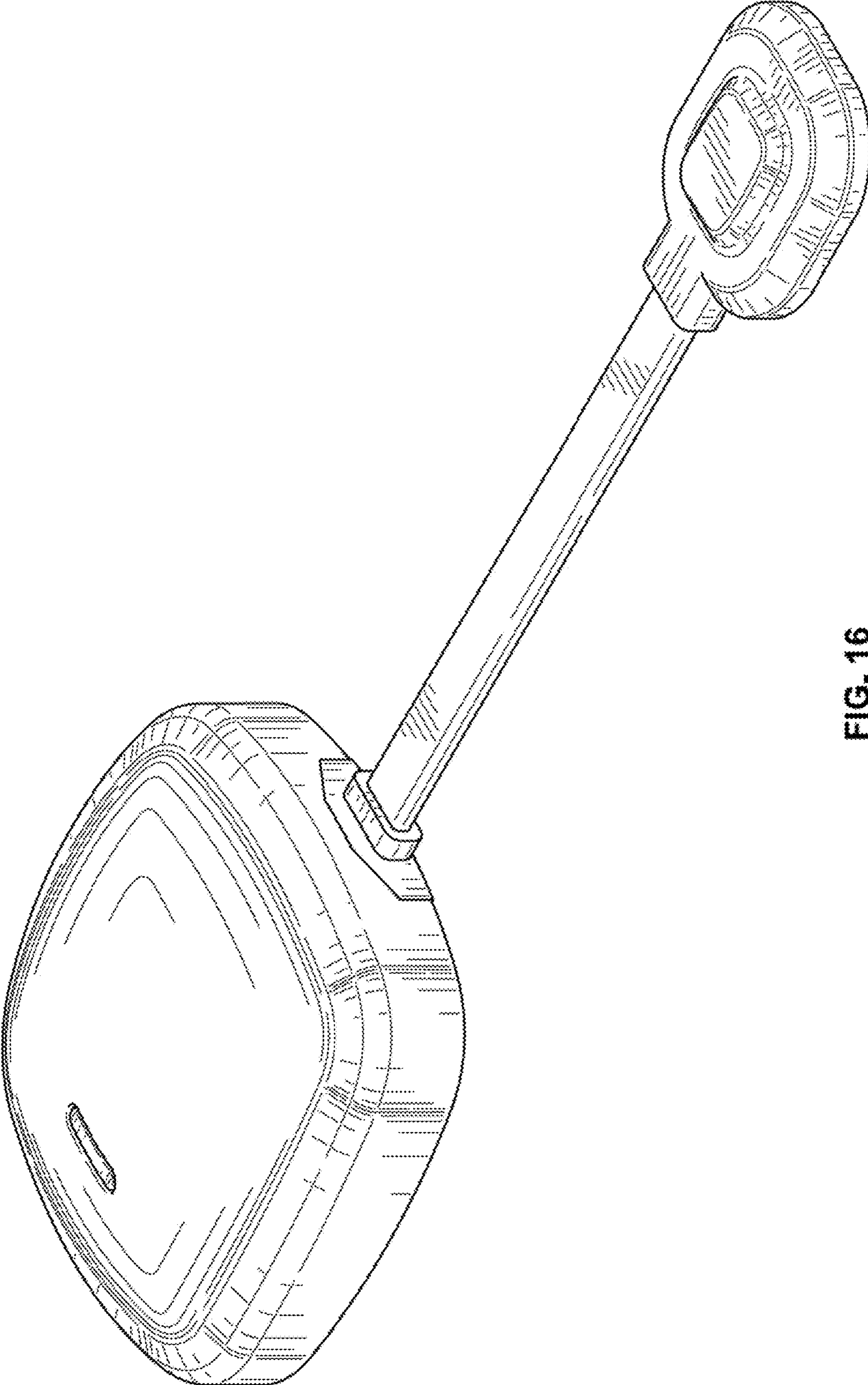


FIG. 16