



US00D868975S

(12) **United States Design Patent** (10) **Patent No.:** **US D868,975 S**
Maiello (45) **Date of Patent:** **** Dec. 3, 2019**

(54) **DENTAL PASTE HOLDER**

(71) Applicant: **Kenneth Joseph Maiello**, Rehoboth Beach, DE (US)

(72) Inventor: **Kenneth Joseph Maiello**, Rehoboth Beach, DE (US)

(**) Term: **15 Years**

(21) Appl. No.: **29/657,028**

(22) Filed: **Jul. 18, 2018**

(51) **LOC (12) Cl.** **24-02**

(52) **U.S. Cl.**
USPC **D24/176**

(58) **Field of Classification Search**
USPC D24/152, 176-178, 127-128, 227;
D7/620, 623; D11/143, 152; D23/201;
433/49, 163

(Continued)

(56) **References Cited**

U.S. PATENT DOCUMENTS

4,717,057 A * 1/1988 Porteous A61C 19/006
206/63.5
4,844,308 A * 7/1989 Porteous A61C 19/006
224/217

(Continued)

Primary Examiner — Wan Laymon

(74) *Attorney, Agent, or Firm* — Westerman, Hattori, Daniels & Adrian, LLP; Stephen B. Parker

(57) **CLAIM**

The ornamental design for a dental paste holder, as shown and described.

DESCRIPTION

FIG. 1 is a top-front elevational view of a dental paste holder in a vertical orientation as seen from a top-front direction

according to one embodiment of the present design (a top-rear elevational view as seen from a top-rear direction being a mirror image of this view);

FIG. 2 is a top-left side elevational view of the dental paste holder shown in FIG. 1 as seen from a top-left direction (a right side elevational as seen from a top-right direction being a mirror image of this view);

FIG. 3 is a front view of the dental paste holder shown in FIG. 1 in a horizontal orientation, wherein the left end of the dental paste holder shown in FIG. 3 corresponds to a top end of the dental paste holder shown in FIG. 1 (a rear view being a mirror image of this view);

FIG. 4 is a left side view of the dental paste holder shown in FIG. 1 in a horizontal orientation, wherein the left end of the dental paste holder shown in FIG. 4 corresponds to a top end of the dental paste holder shown in FIG. 1 (a right view being a mirror image of this view);

FIG. 5 is a top view of the dental paste holder shown in FIG. 1, which is also a view from the left side of FIG. 3;

FIG. 6 is a bottom view of the dental paste holder shown in FIG. 1, which is also a view from the right side of FIG. 3;

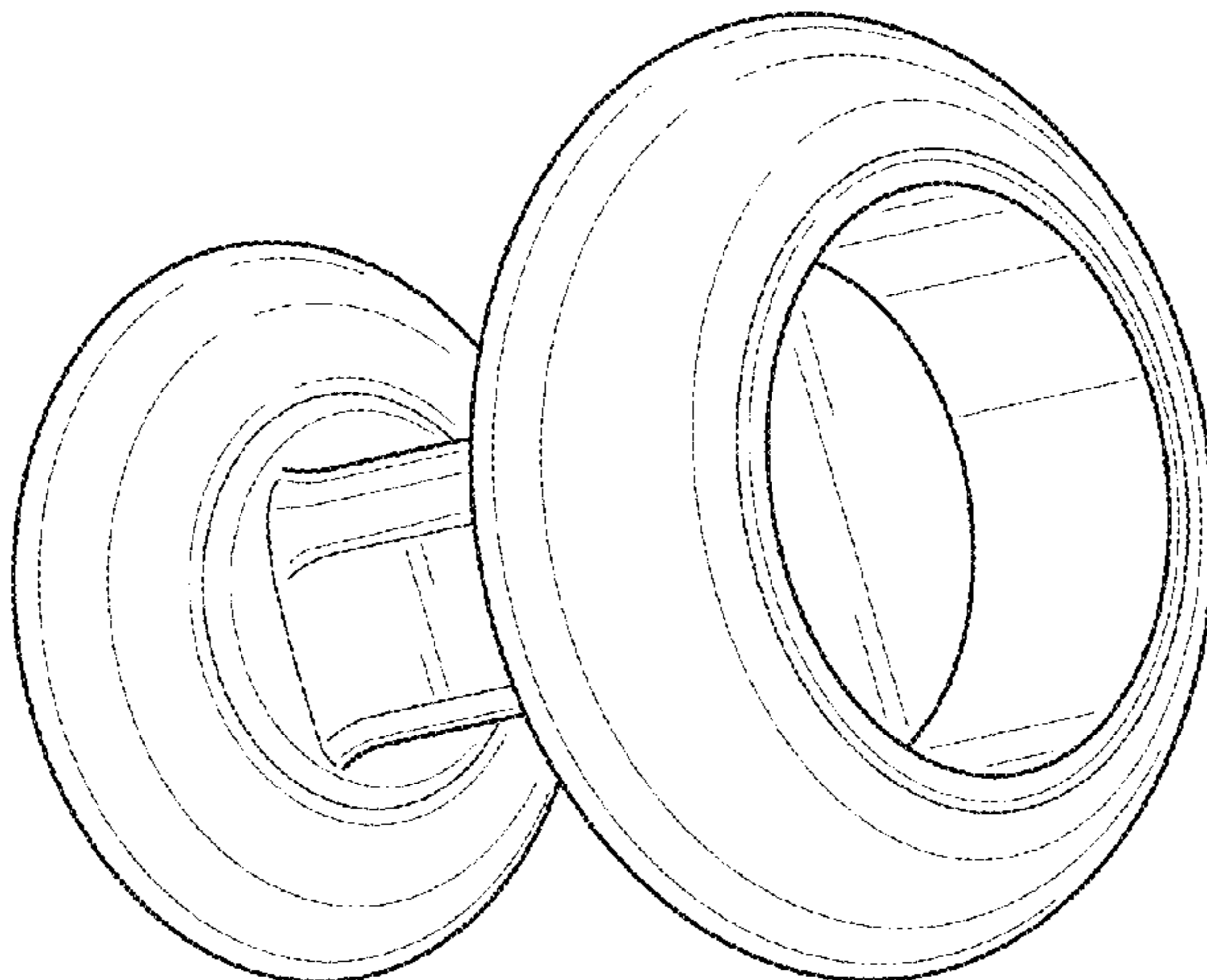
FIG. 7 is a top-left side perspective view of the dental paste holder shown in FIG. 1 in a horizontal orientation as seen from a top-left side of FIG. 1 (a top-right perspective view as seen from a top-right direction being a mirror image of this view);

FIG. 8 is a bottom-right side perspective view of the dental paste holder shown in FIG. 1 in a horizontal orientation as seen from a bottom-right side of FIG. 1 (a bottom-left side perspective view as seen from a bottom-left direction being a mirror image of this view); and,

FIG. 9 is an explanatory perspective view of a dental paste holder shown in FIG. 1 in use which unclaimed environmental structure (including a user's fingers and a cap of a cup contained in the dental paste holder) shown in broken lines for reference.

The broken lines in the figures illustrate unclaimed environmental structure and do not constitute a part of the claimed design.

1 Claim, 6 Drawing Sheets



- (58) **Field of Classification Search**
CPC A61C 19/006; A61C 17/00
See application file for complete search history.

(56) **References Cited**

U.S. PATENT DOCUMENTS

4,988,296	A *	1/1991	Spencer	A61C 19/006
					128/852
5,016,795	A *	5/1991	Porteous	A61C 19/006
					206/63.5
5,048,731	A *	9/1991	Moreschini	A61C 19/006
					220/270
5,112,227	A *	5/1992	Bull	A61C 19/006
					206/63.5
5,732,862	A *	3/1998	Bull	A61C 19/006
					206/63.5
5,996,864	A	12/1999	Birglechner		
6,164,965	A	12/2000	Hammerlund		
D436,666	S *	1/2001	Hammerlund	D24/176
7,114,950	B2 *	10/2006	Dellanina	A61C 19/006
					433/163
D637,734	S *	5/2011	Madry	D24/227
D637,736	S *	5/2011	Madry	D24/227
2007/0184401	A1 *	8/2007	Dellanina	A61C 19/006
					433/25
2011/0236852	A1 *	9/2011	Choi	A61C 19/006
					433/49

* cited by examiner

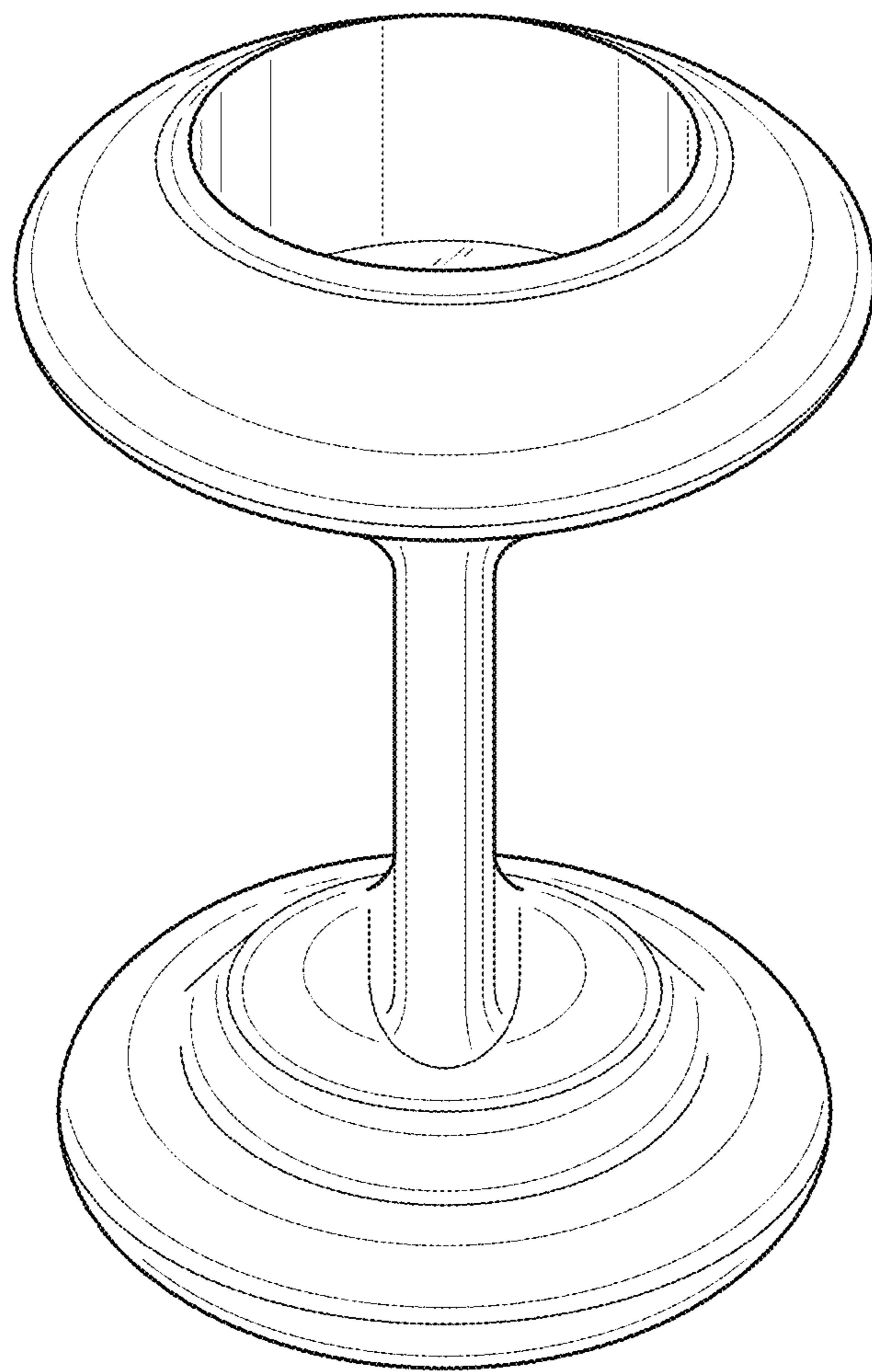


FIG. 1

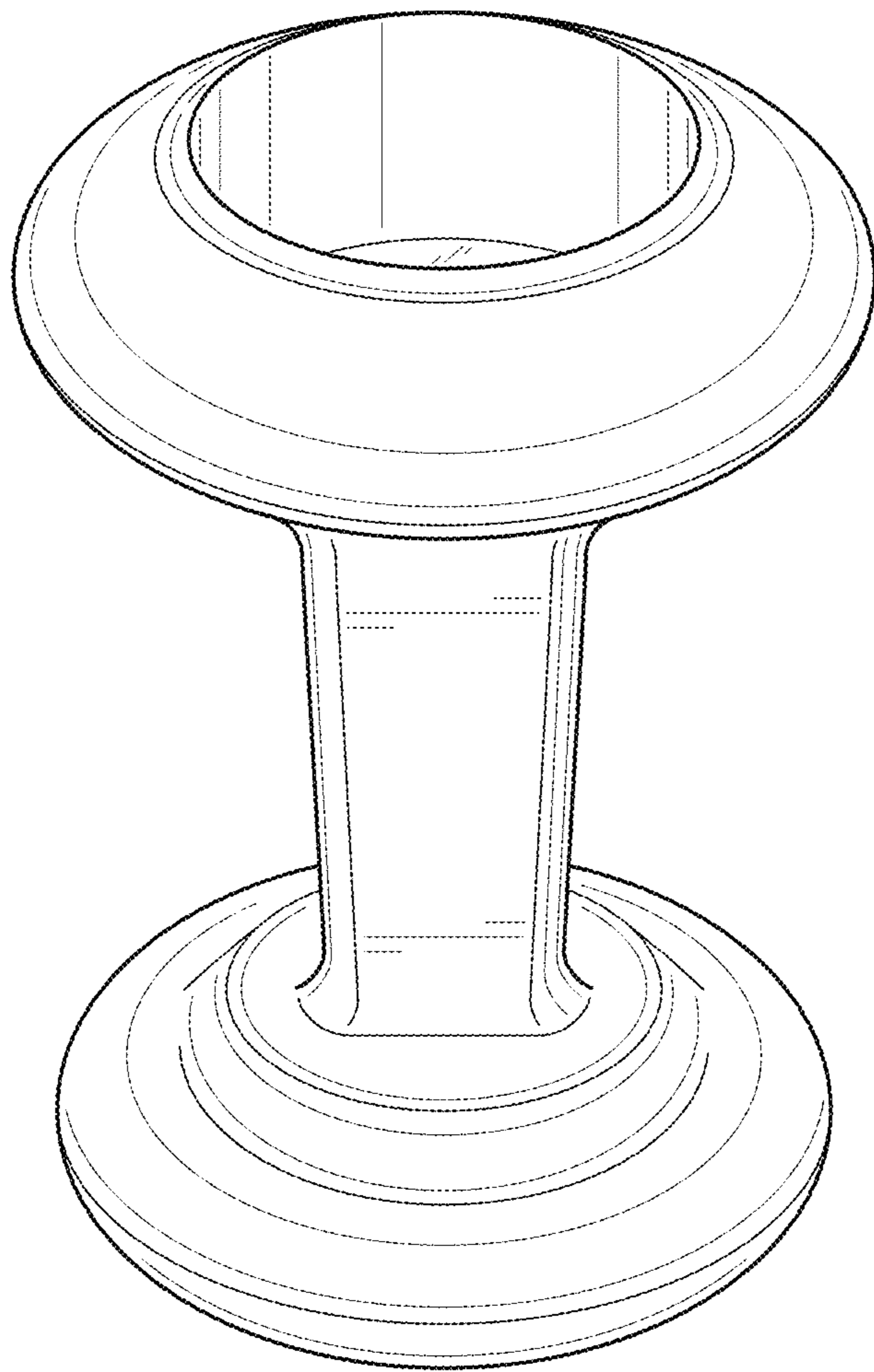


FIG. 2

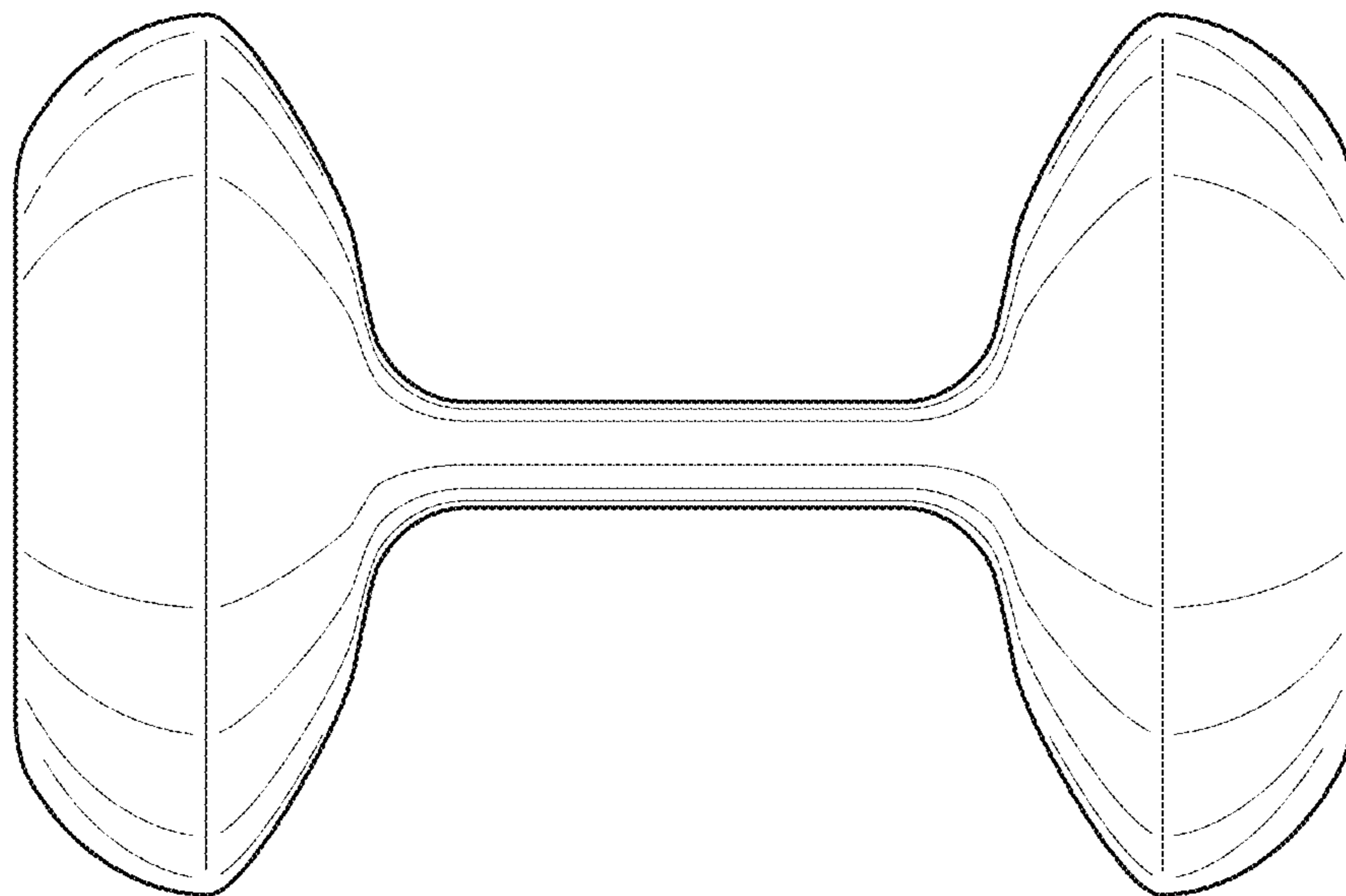


FIG. 3

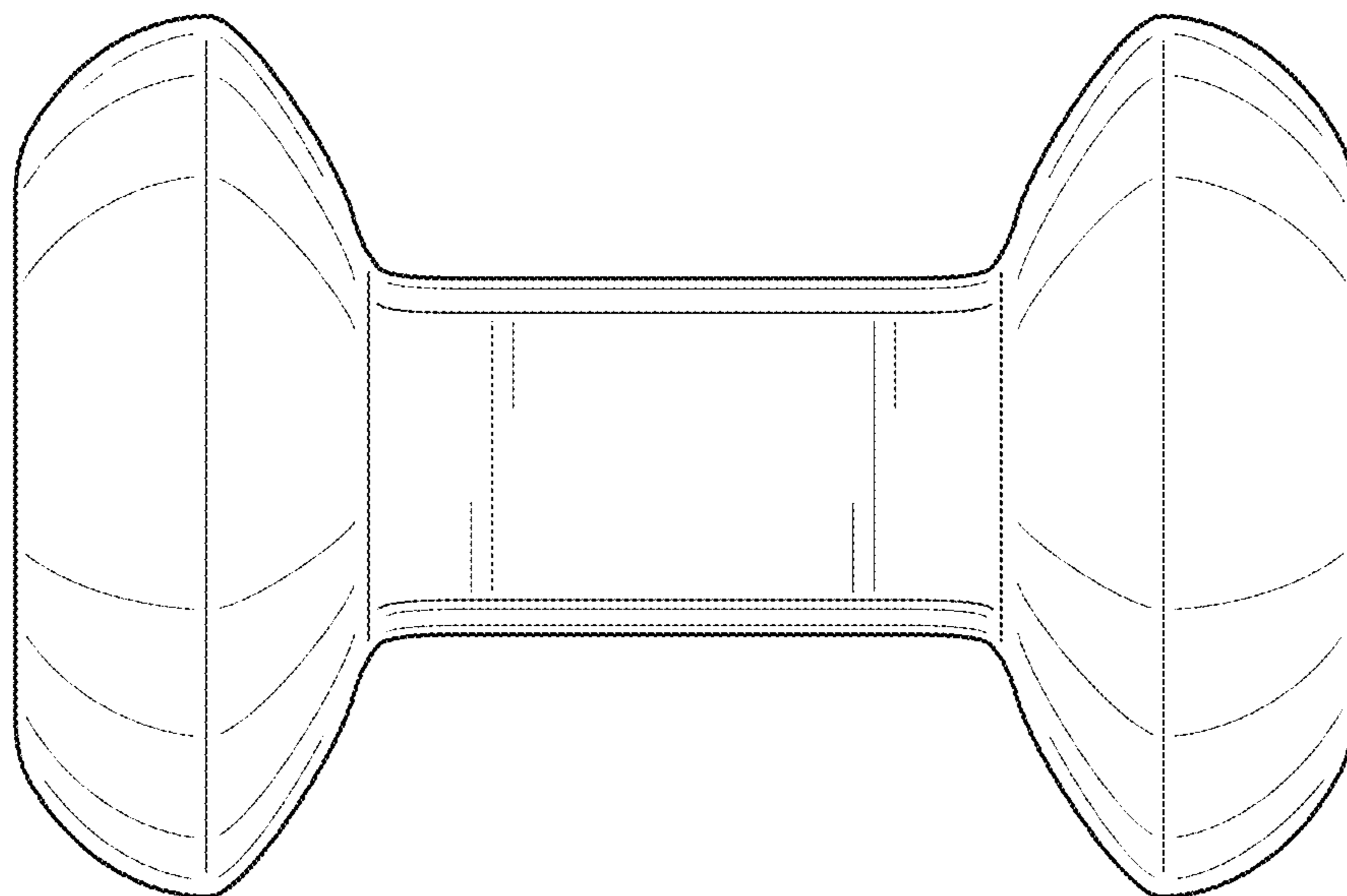


FIG. 4

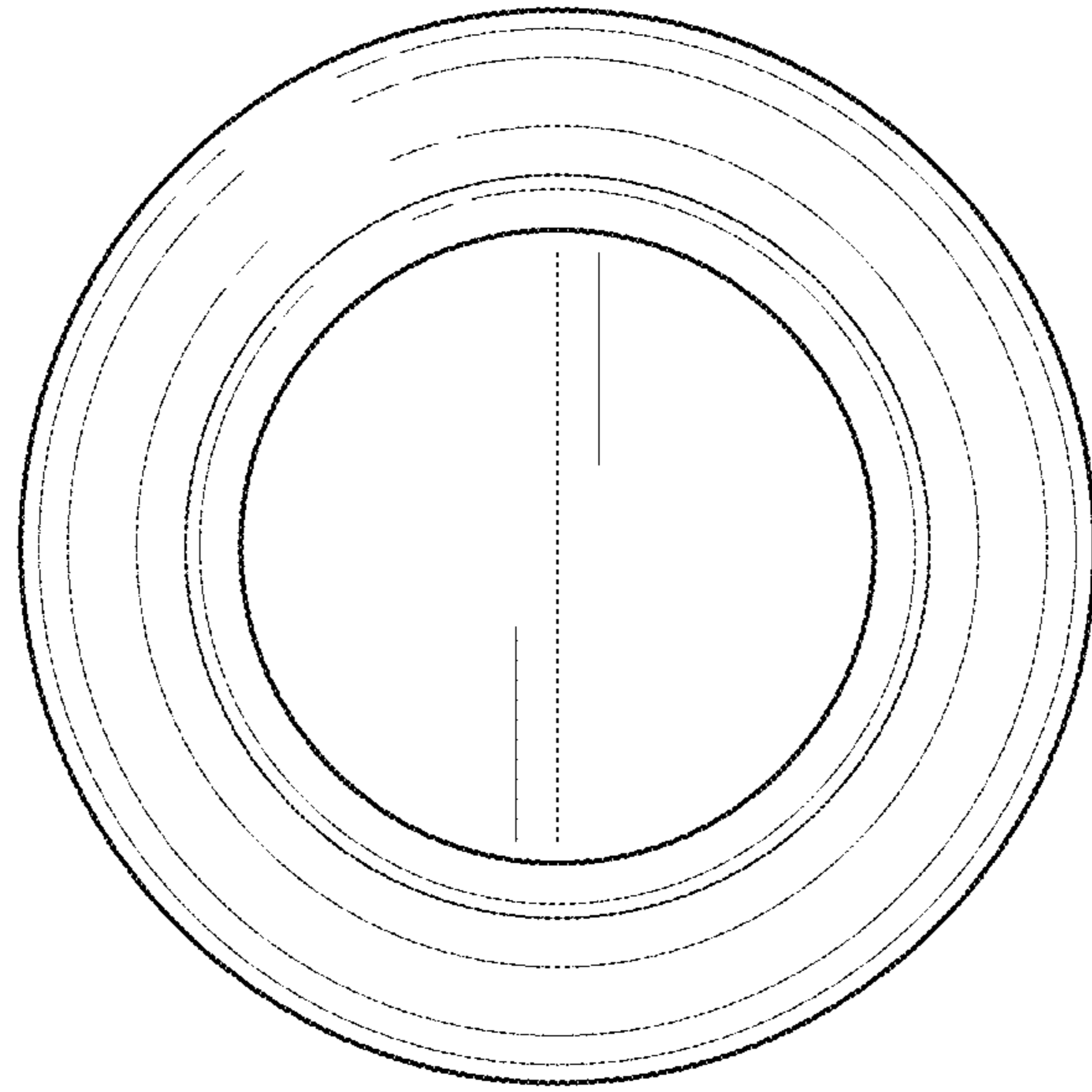


FIG. 5

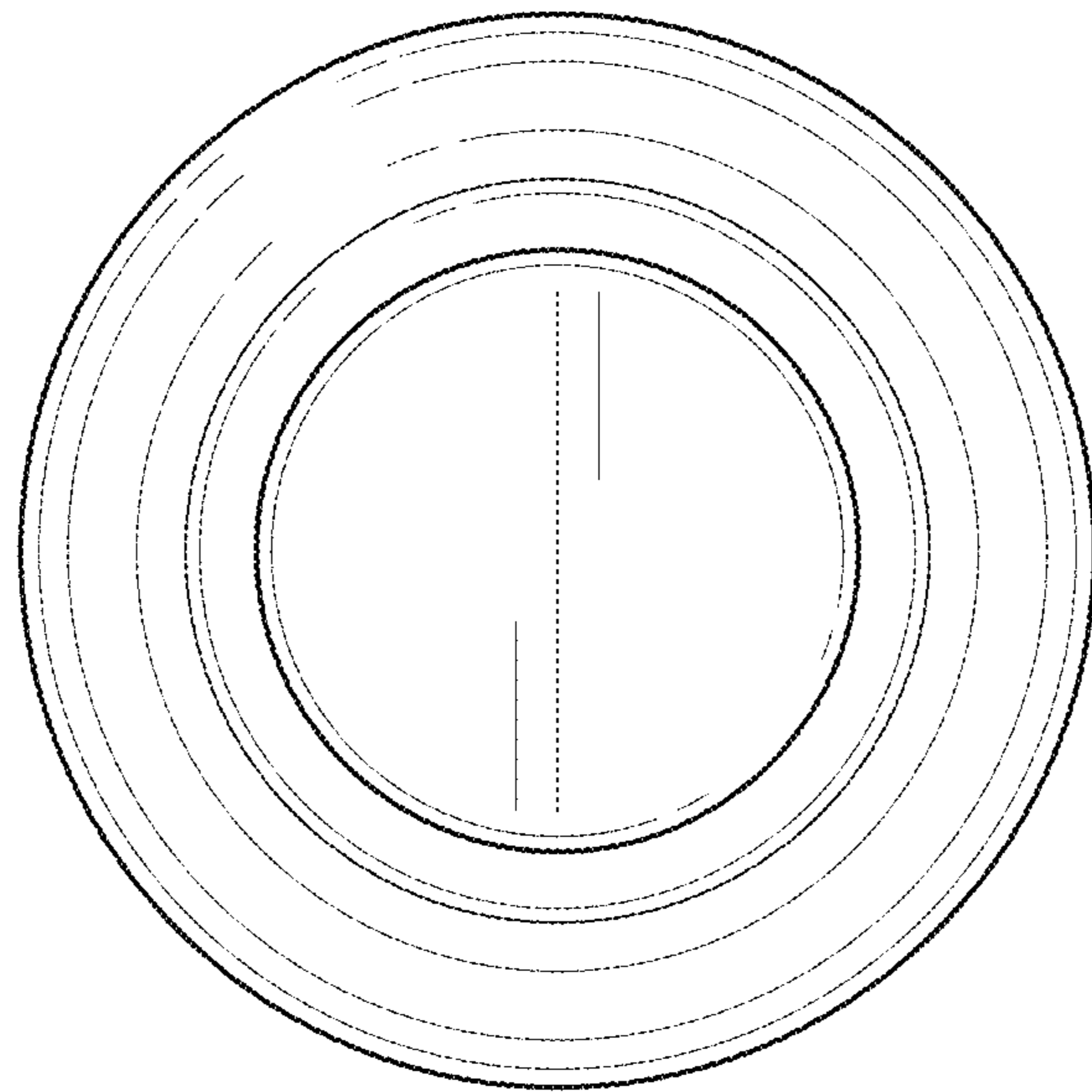


FIG. 6

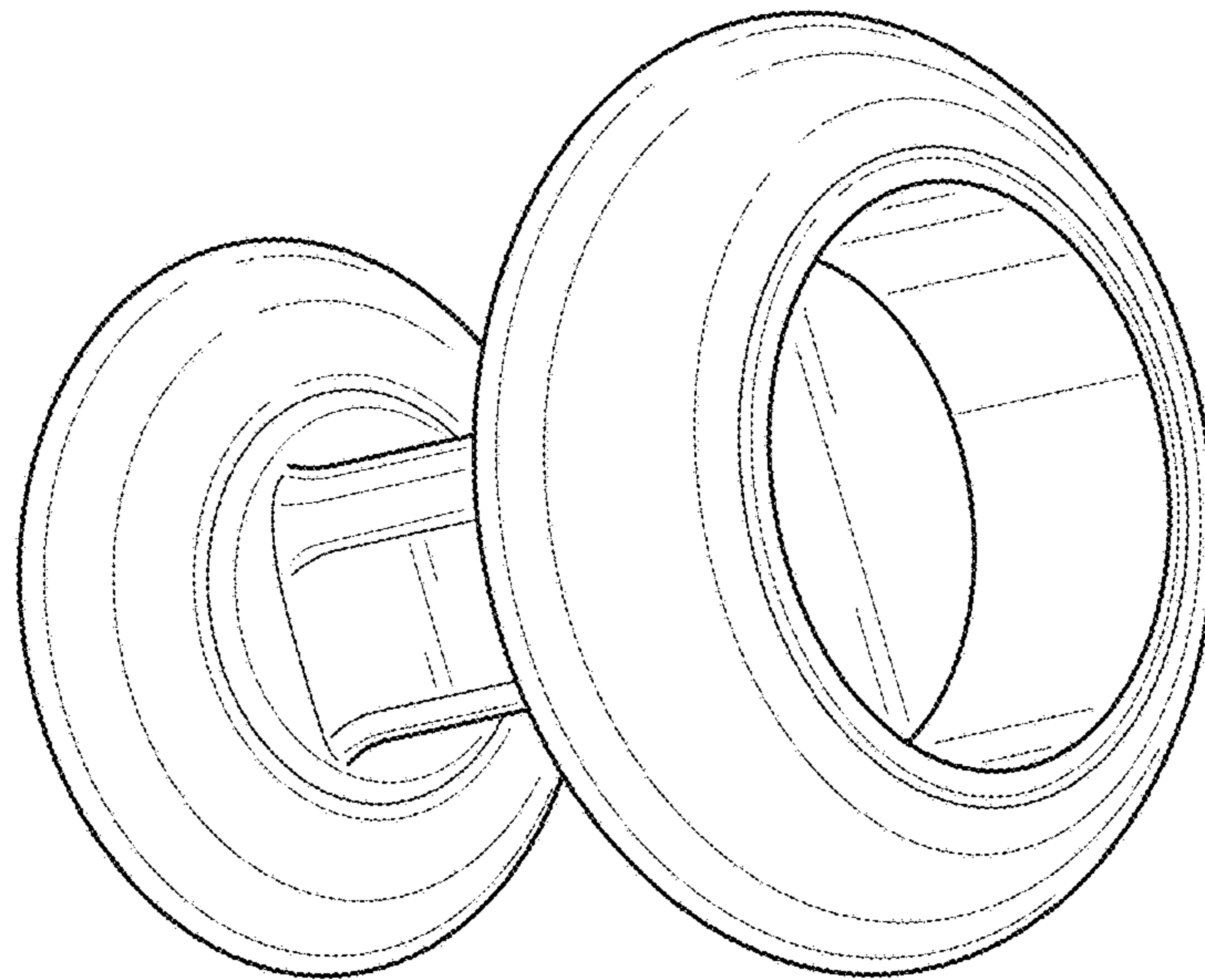


FIG. 7

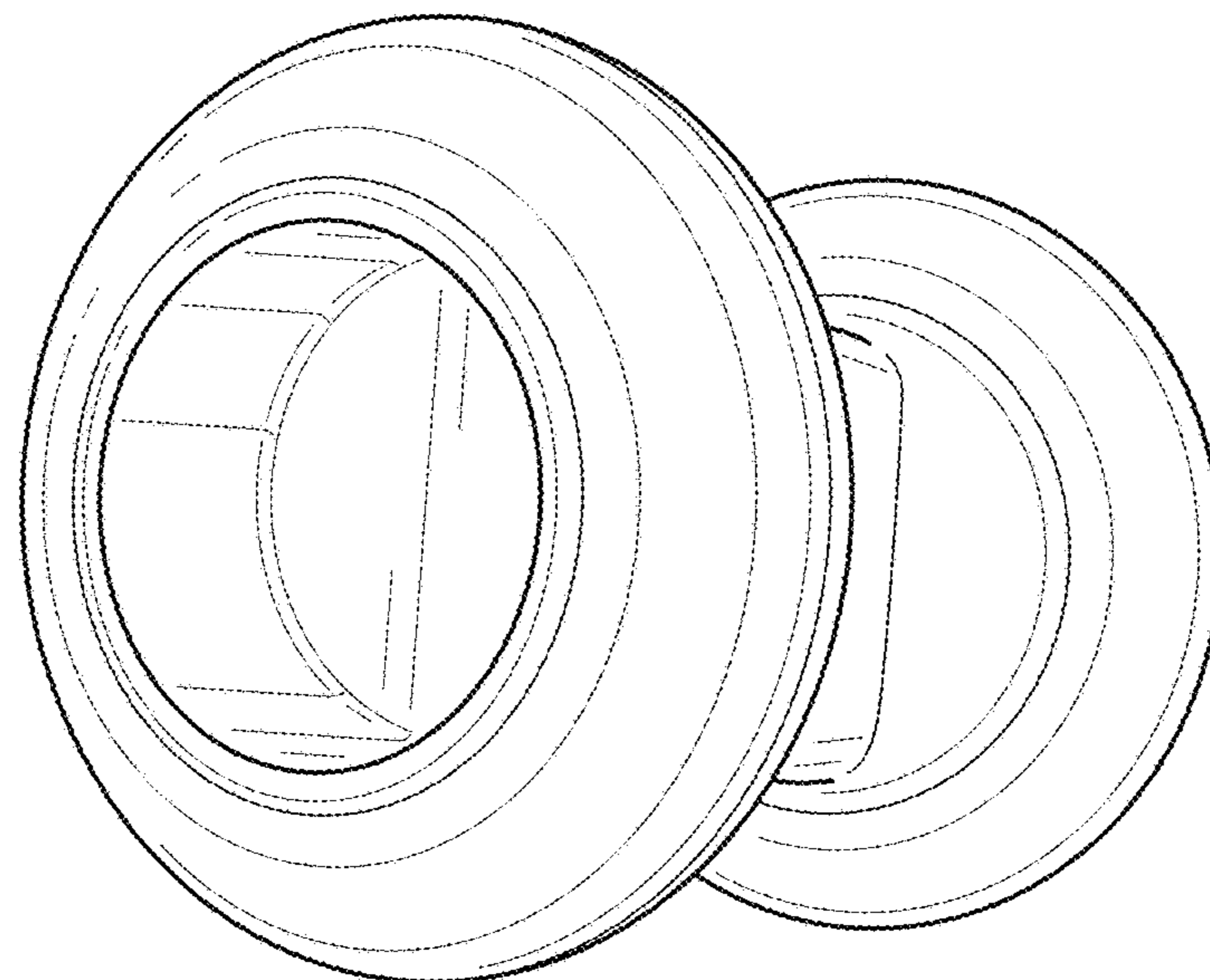


FIG. 8

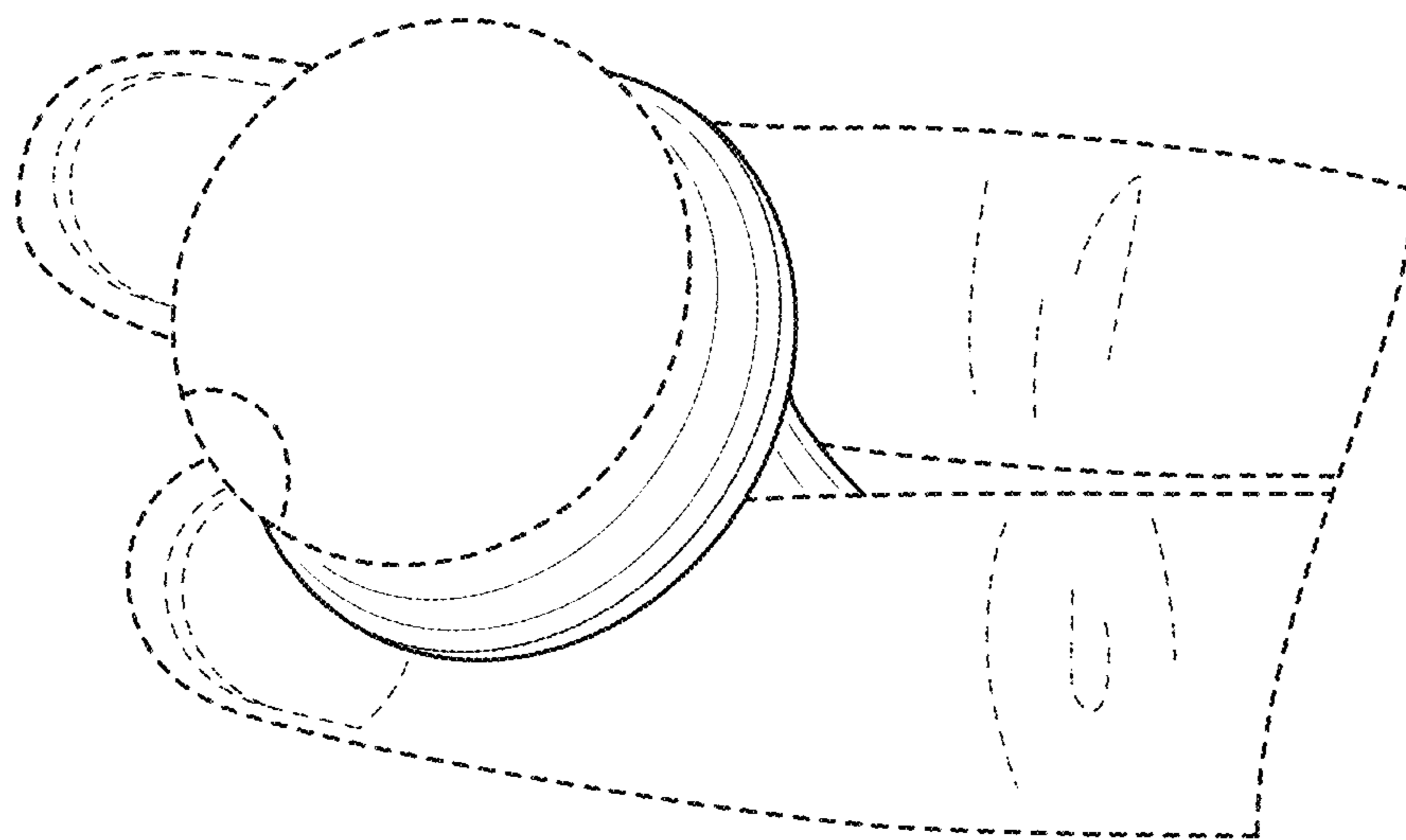


FIG. 9