



US00D868974S

(12) **United States Design Patent** (10) **Patent No.:** **US D868,974 S**  
**Albert et al.** (45) **Date of Patent:** **\*\* Dec. 3, 2019**

(54) **MOBILE ECG SENSOR**

(56) **References Cited**

(71) Applicant: **AliveCor, Inc.**

U.S. PATENT DOCUMENTS

(72) Inventors: **David E. Albert**, Oklahoma City, OK (US); **Simon Prakash**, Los Gatos, CA (US); **Bruce Satchwell**, Gold Coast (AU); **Jonathan Beck**, Mountain View, CA (US)

D714,942 S *	10/2014	Hwang	.....	D24/167
D761,434 S *	7/2016	Nelson	.....	D24/186
D764,060 S *	8/2016	Singh	.....	D24/167
D787,066 S *	5/2017	Kim	.....	D24/167
D800,313 S *	10/2017	Chang	.....	D24/167
D810,944 S *	2/2018	Goolkasian	.....	D24/167
D812,229 S *	3/2018	Al-Siddiq	.....	D24/167
D850,626 S *	6/2019	Gardner	.....	D24/186
2013/0116534 A1 *	5/2013	Woo	.....	A61B 5/02438 600/391

(73) Assignee: **AliveCor, Inc.**, Mountain View, CA (US)

\* cited by examiner

(\*\*) Term: **15 Years**

*Primary Examiner* — Anhdao Doan

(21) Appl. No.: **29/657,469**

(74) *Attorney, Agent, or Firm* — Womble Bond Dickinson (US) LLP

(22) Filed: **Jul. 23, 2018**

(51) **LOC (12) Cl.** ..... **24-01**

(57) **CLAIM**

(52) **U.S. Cl.**  
USPC ..... **D24/167**

The ornamental design for a mobile ECG sensor, as shown and described.

(58) **Field of Classification Search**

**DESCRIPTION**

USPC .... D24/107, 167, 186, 187; D10/70, 75, 98, D10/97; D14/344  
CPC ..... A61B 5/6801; A61B 5/681; A61B 5/6819; A61B 5/6823; A61B 5/6824; A61B 5/02405; A61B 5/02427; A61B 5/02438; A61B 2560/0412; A61B 2560/0418; A61B 2562/162; A61B 2562/164; A61B 2562/0295; A61B 2562/18; A61B 5/0402; A61B 5/0404

FIG. 1 is a perspective view of a mobile ECG sensor; FIG. 2 is a front view thereof; FIG. 3 is a top view thereof; FIG. 4 is an end view thereof; and, FIG. 5 is a bottom view thereof. The broken lines shown in FIGS. 1 and 3 represent an environment and form no part of the claimed design.

See application file for complete search history.

**1 Claim, 2 Drawing Sheets**

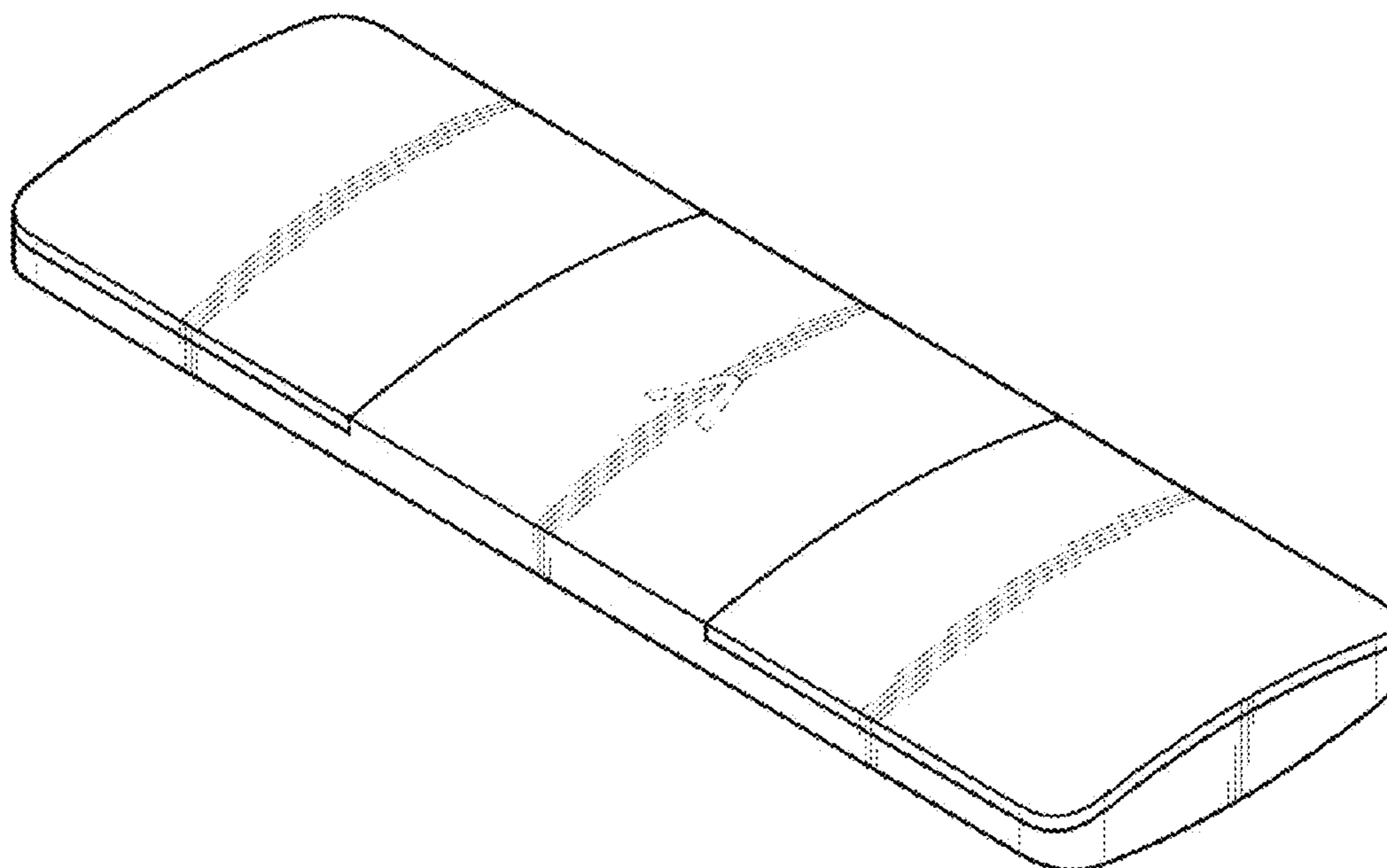


FIG. 1

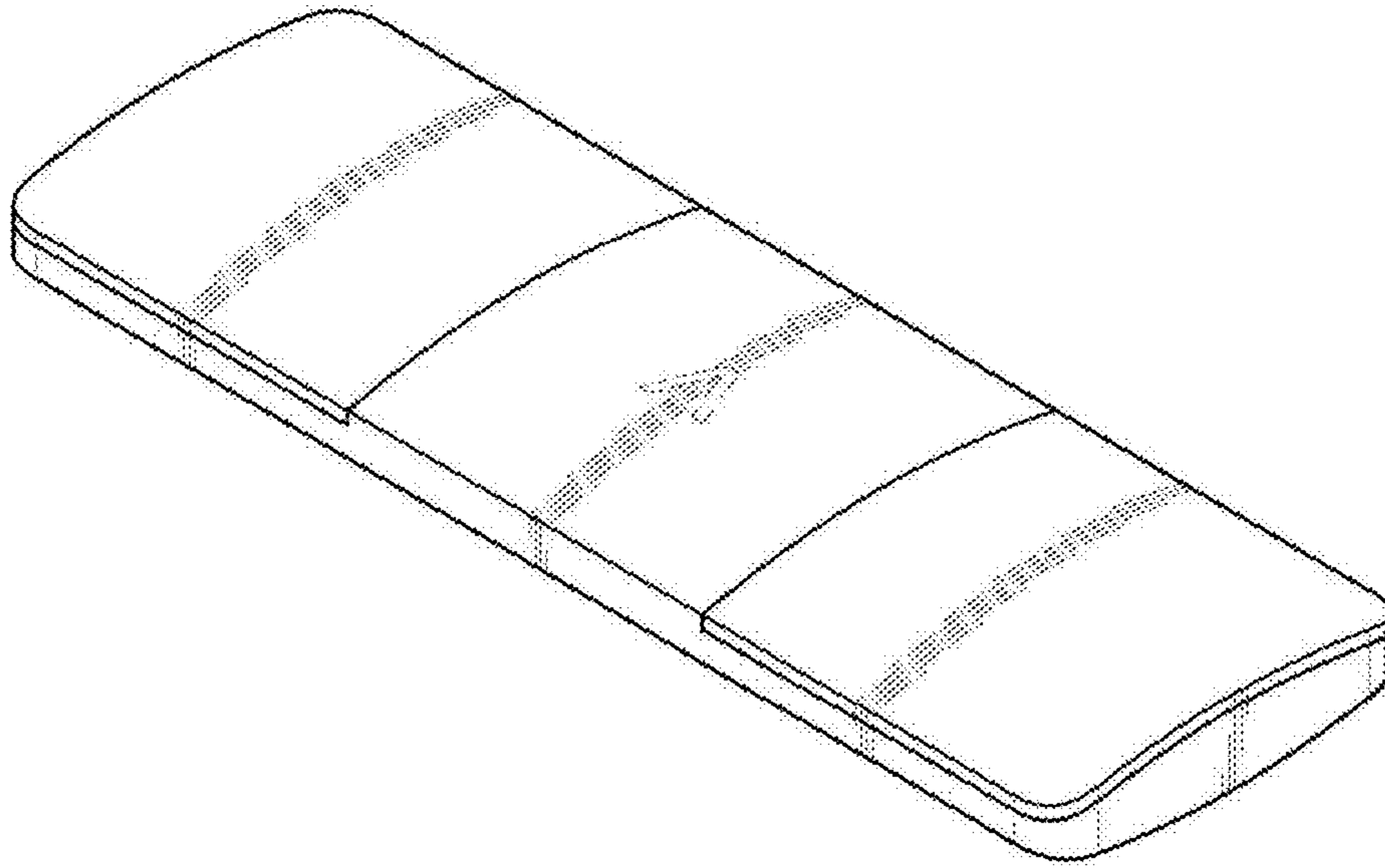
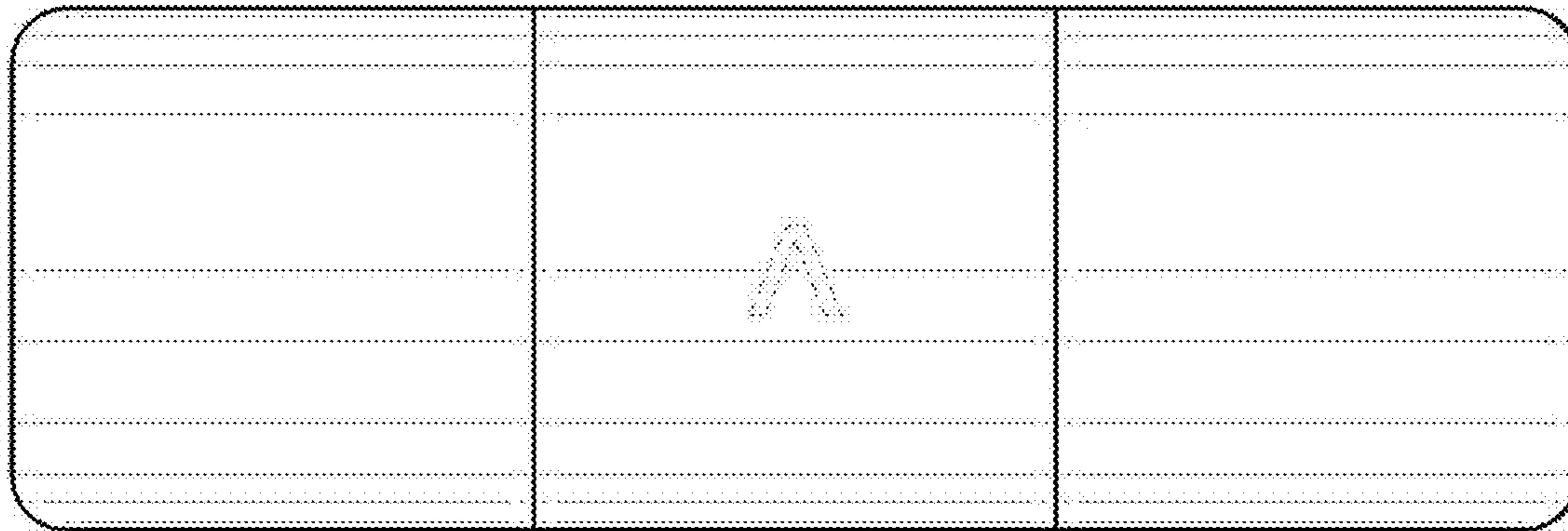


FIG. 2



**FIG. 3**



**FIG. 4**



**FIG. 5**

