



US00D868973S

(12) **United States Design Patent**
Lin

(10) **Patent No.:** **US D868,973 S**

(45) **Date of Patent:** **** Dec. 3, 2019**

(54) **PART OF THE GENERATOR FOR OXYHYDROGEN GAS**

(71) Applicant: **Hsin Yung Lin**, Shanghai (TW)

(72) Inventor: **Hsin Yung Lin**, Shanghai (TW)

(**) Term: **15 Years**

(21) Appl. No.: **29/591,193**

(22) Filed: **Jan. 17, 2017**

(30) **Foreign Application Priority Data**

May 16, 2016 (TW) 105302692

(51) **LOC (12) Cl.** **24-02**

(52) **U.S. Cl.**
USPC **D24/164**

(58) **Field of Classification Search**
USPC D24/164, 108, 110, 216, 170, 187, 133,
D24/146, 144, 200; D7/376; D13/112
CPC G06F 3/0482; A61B 5/0017; A61B 5/087;
A61B 5/015; A61B 8/06; G01J 5/007;
A61H 23/02; A61N 5/0619; A61M 16/10
See application file for complete search history.

(56) **References Cited**

U.S. PATENT DOCUMENTS

D568,996 S * 5/2008 Woodruff D24/110
D734,446 S * 7/2015 Salmon D24/108
D739,521 S * 9/2015 Pipe D24/108
D745,137 S * 12/2015 Pipe D24/108
D745,317 S * 12/2015 Dichraff D7/376

D753,812 S * 4/2016 Salmon D24/110
D765,462 S * 9/2016 Davies D7/376
D765,463 S * 9/2016 Affatato D7/376
D774,659 S * 12/2016 Quackenbush D24/216
D777,668 S * 1/2017 Lin D13/112
D783,175 S * 4/2017 Hosokawa D24/216
D790,466 S * 6/2017 Lin D13/112
2018/0002822 A1 * 1/2018 Lin A61M 16/10

* cited by examiner

Primary Examiner — Rhea Shields

(74) *Attorney, Agent, or Firm* — Foster Garvey PC

(57) **CLAIM**

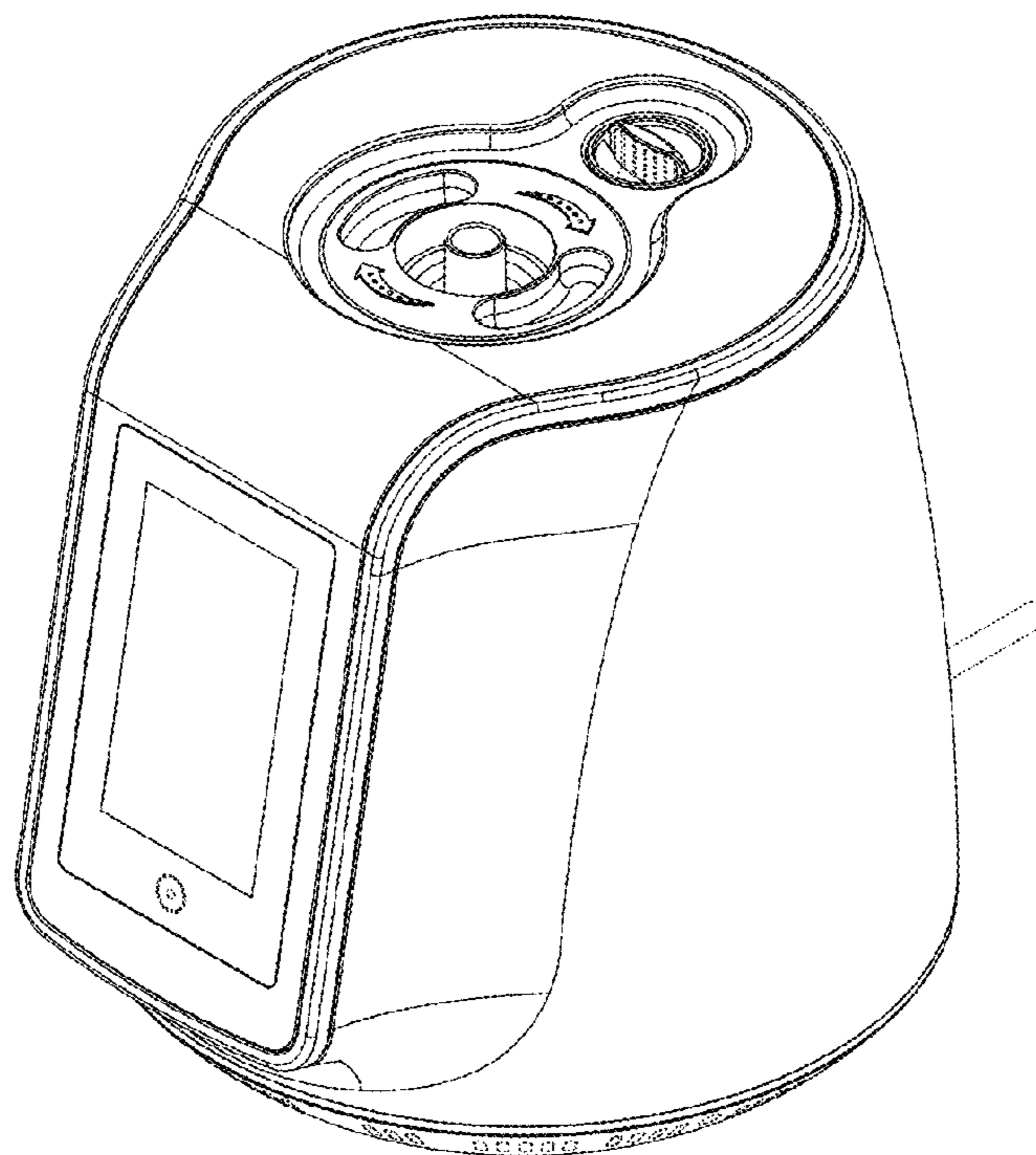
The ornamental design for a part of the generator for oxyhydrogen gas, as shown and described.

DESCRIPTION

FIG. 1 is a perspective view of a part of the generator for oxyhydrogen gas according to the invention;
FIG. 2 is another perspective view thereof;
FIG. 3 is a front view thereof;
FIG. 4 is a rear view thereof;
FIG. 5 is a left side view thereof;
FIG. 6 is a right side view thereof;
FIG. 7 is a top view thereof; and,
FIG. 8 is a bottom view thereof.
FIG. 9 is another perspective view thereof; and,
FIG. 10 is another perspective view thereof.

In the drawings, the broken lines are for the purpose of illustrating environment only and form no part of the claimed design.

1 Claim, 10 Drawing Sheets



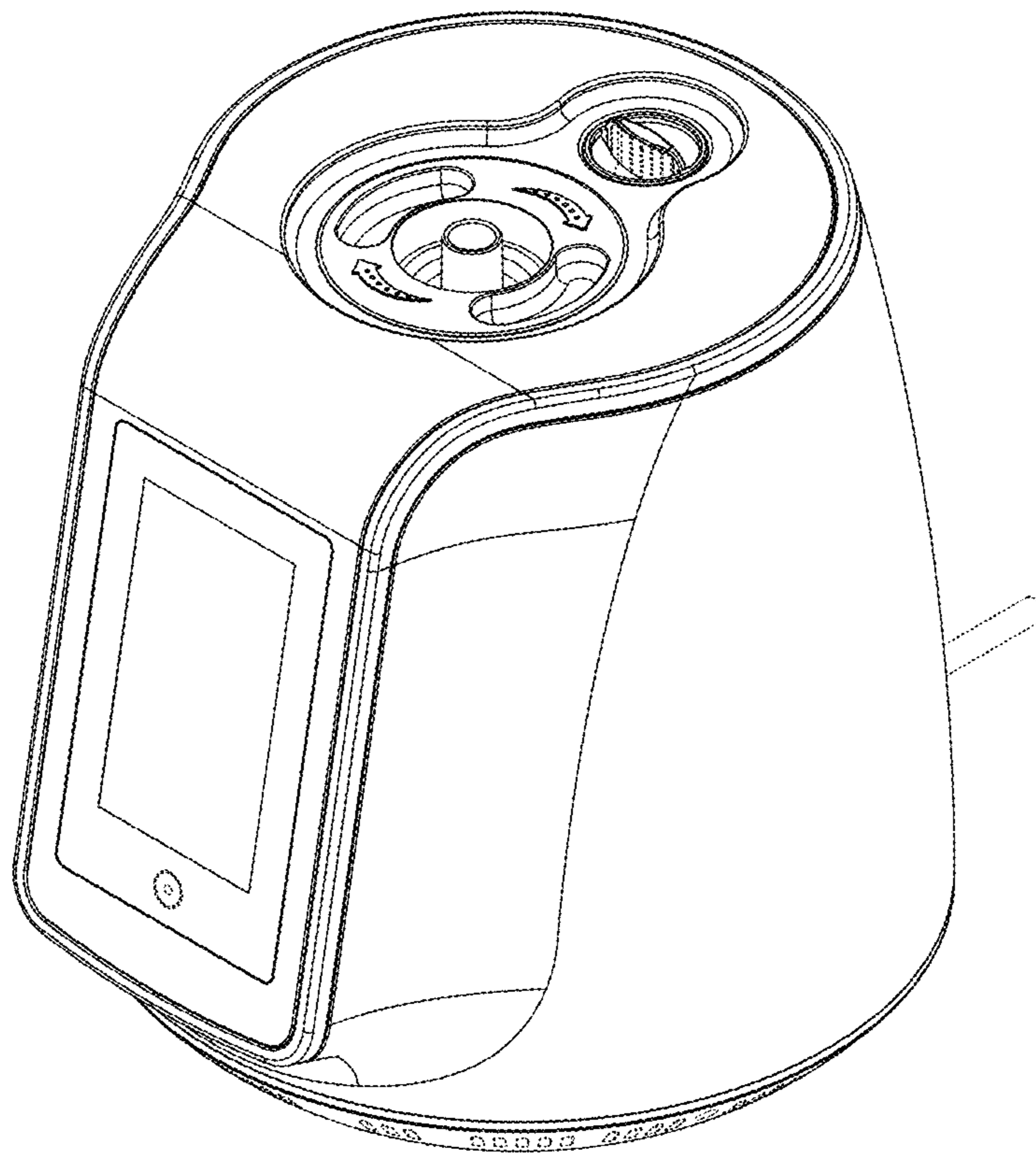


FIG. 1

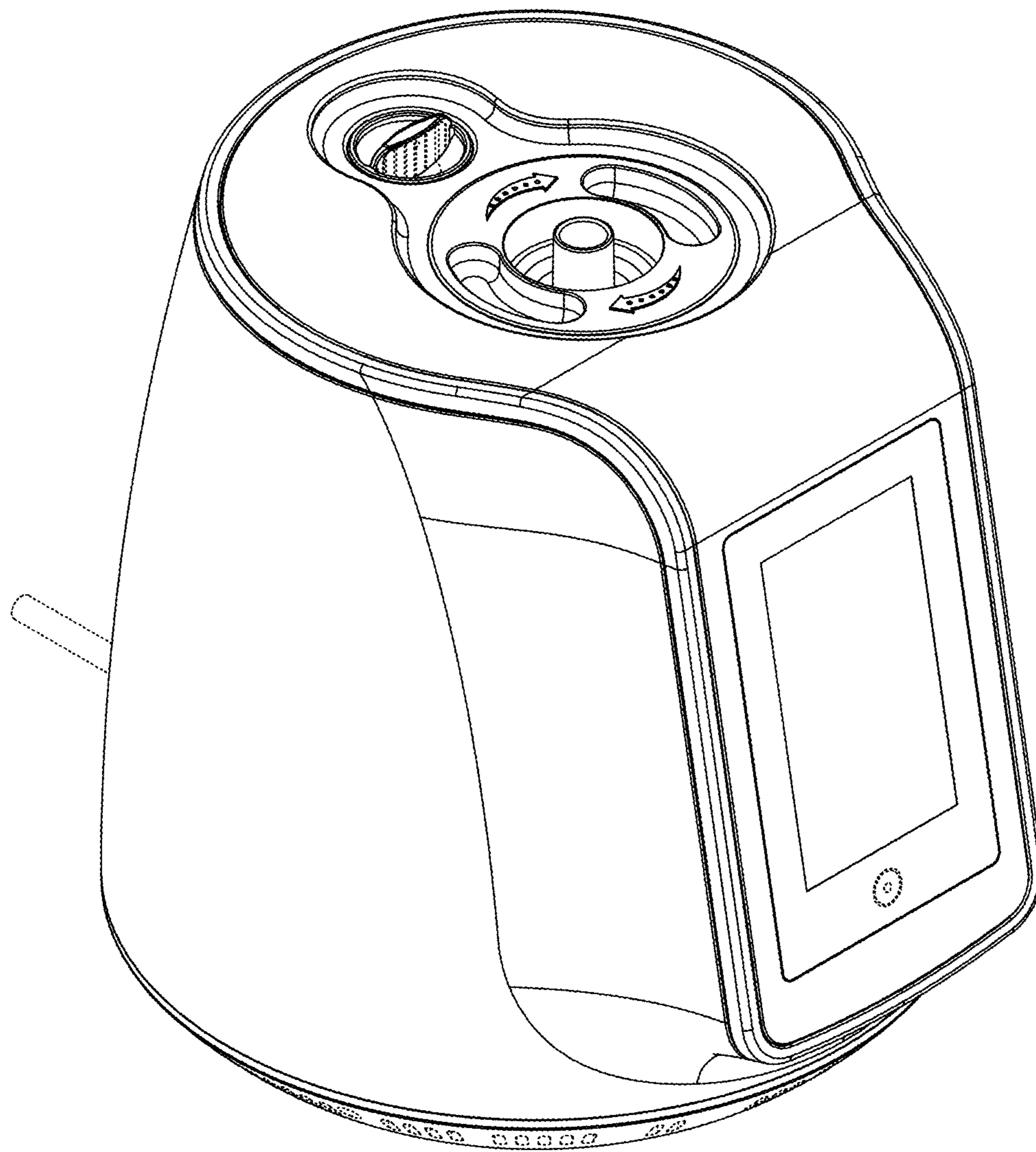


FIG. 2

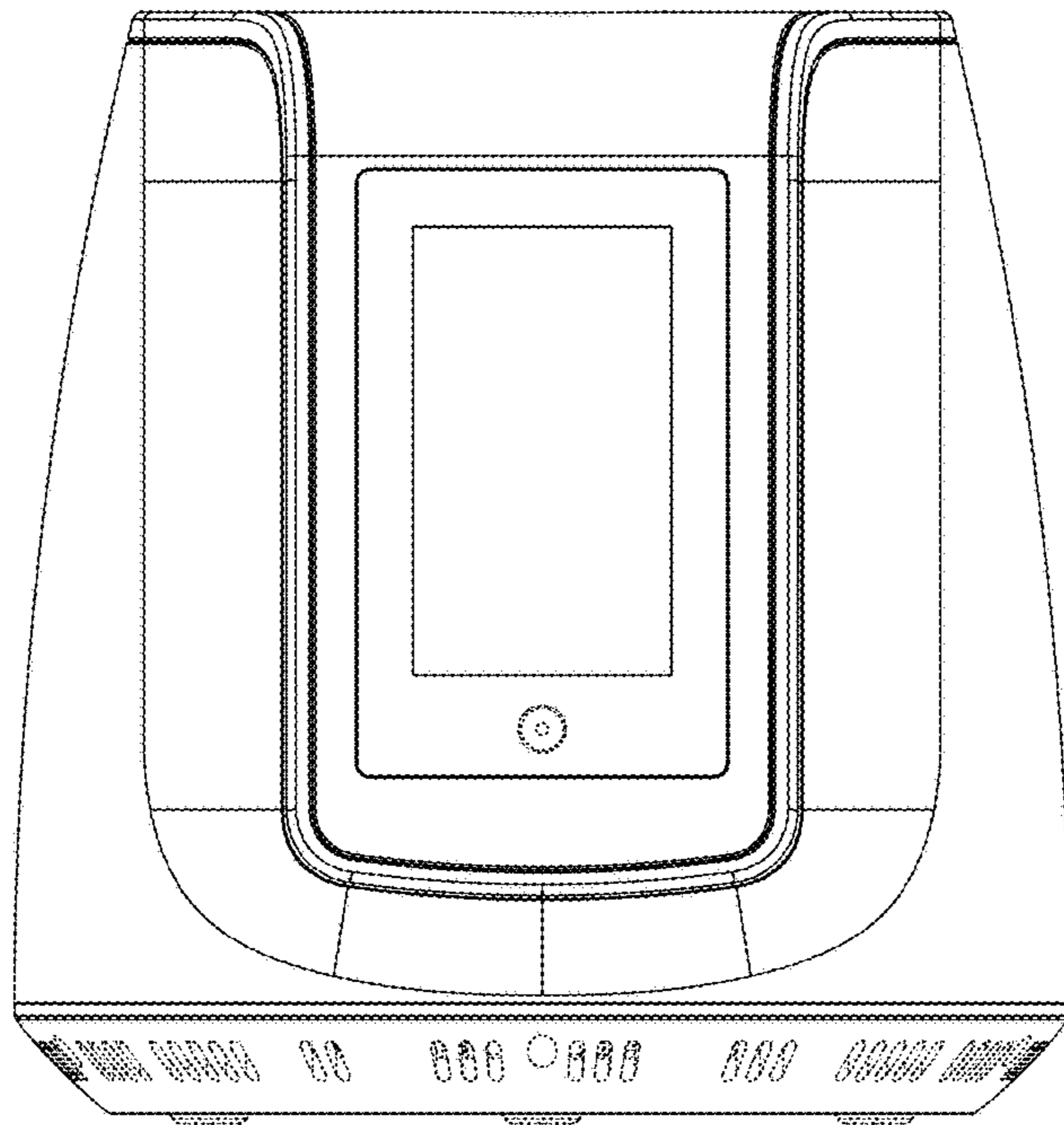


FIG. 3

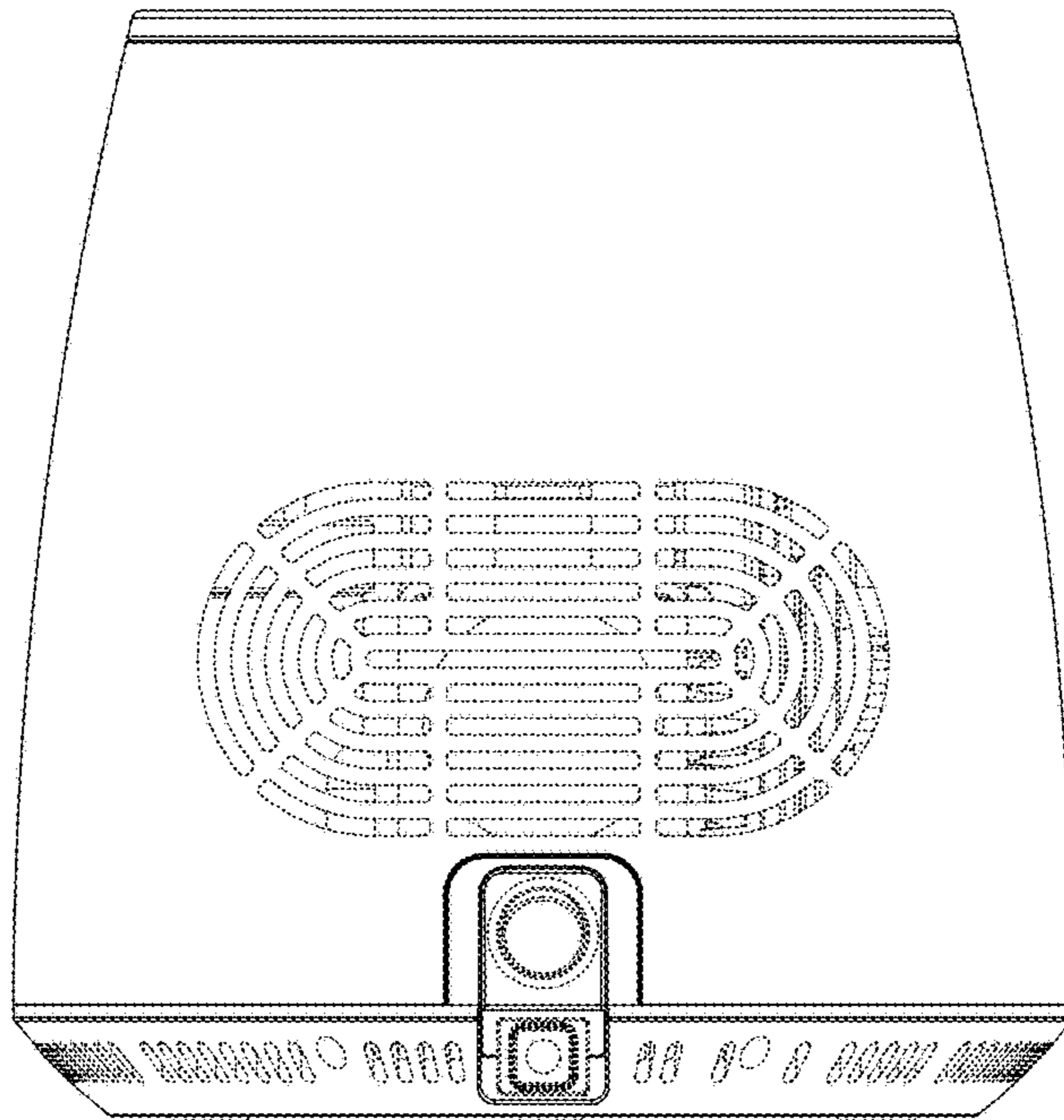


FIG. 4

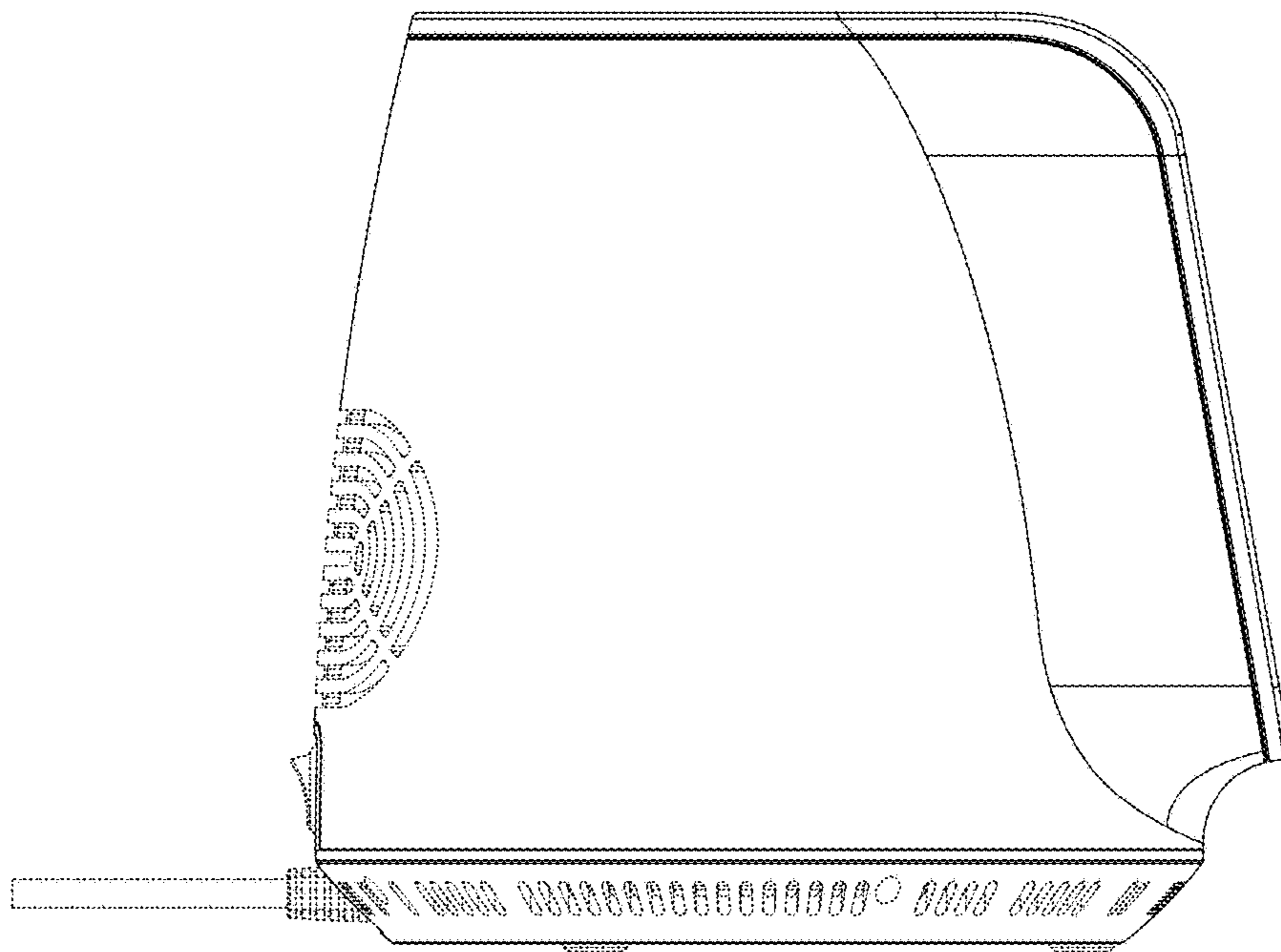


FIG. 5

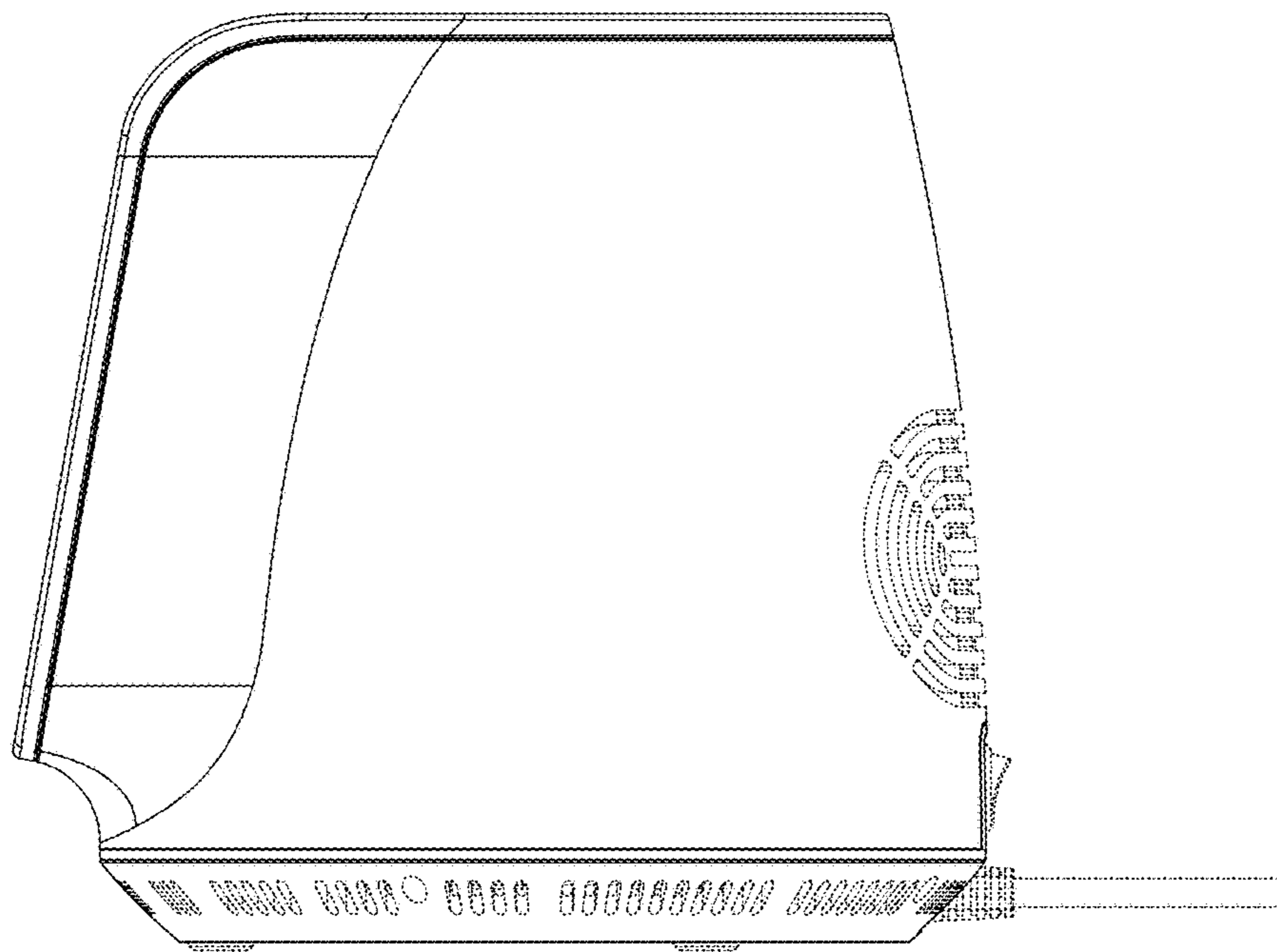


FIG. 6

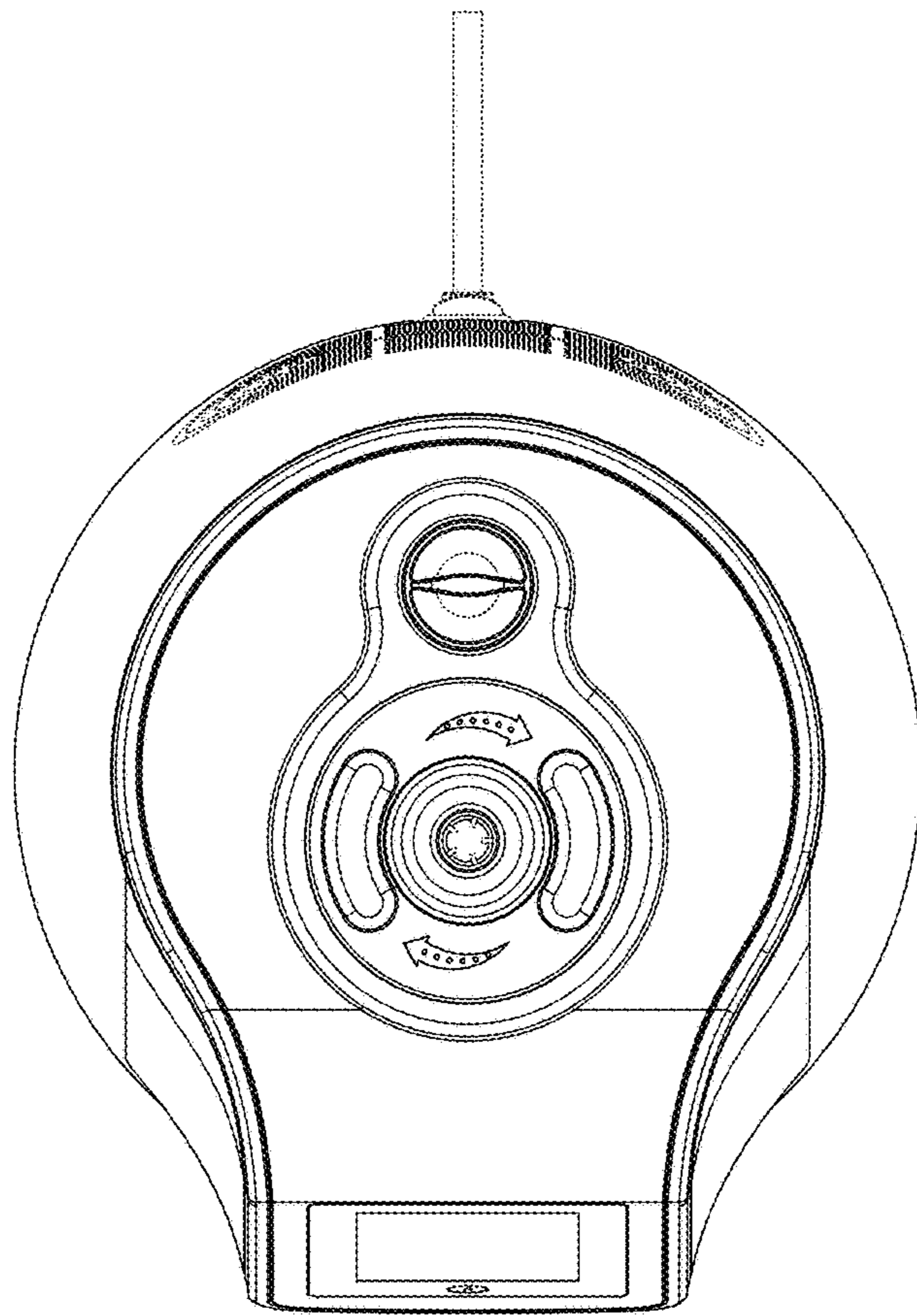


FIG. 7

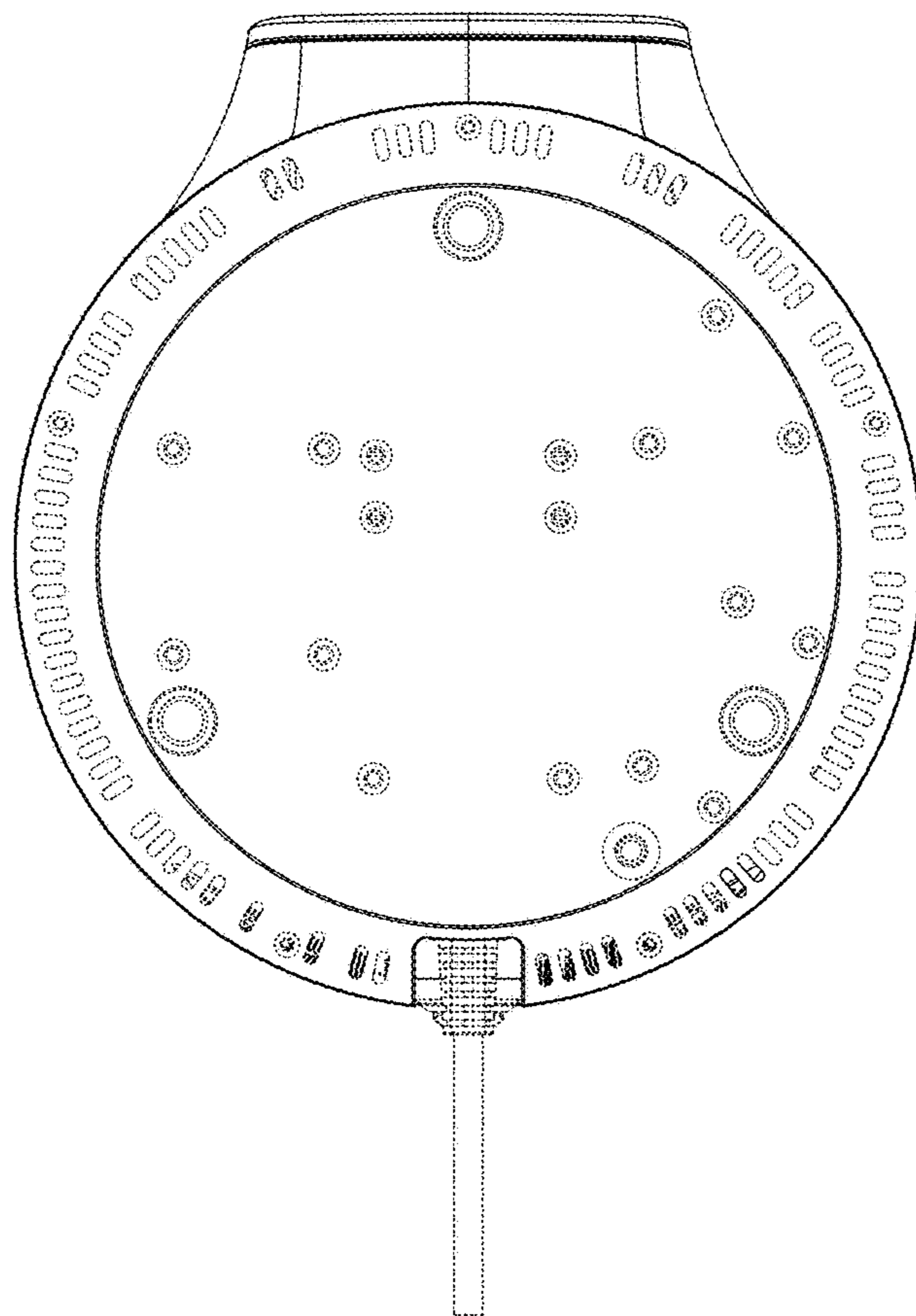


FIG. 8

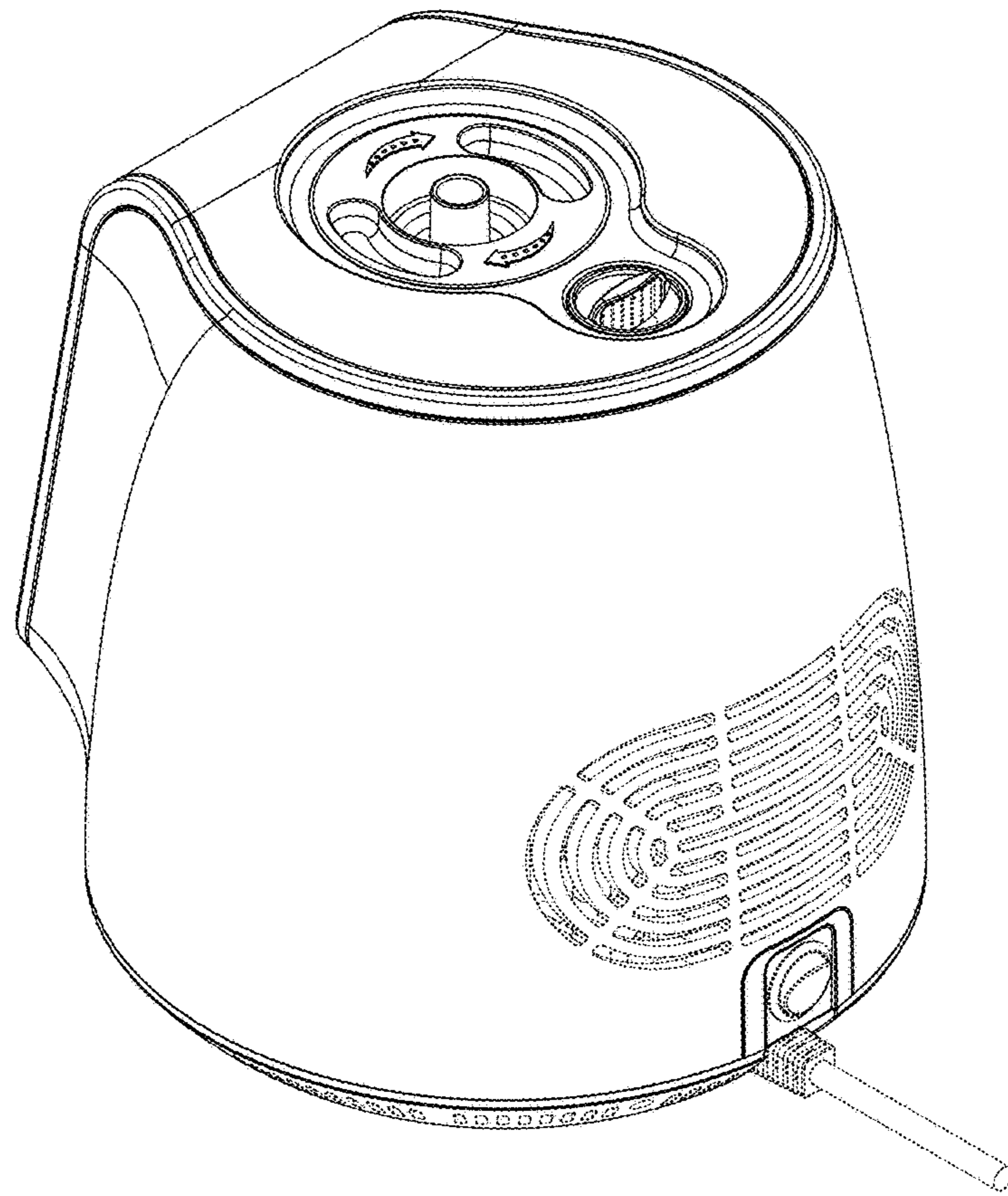


FIG. 9

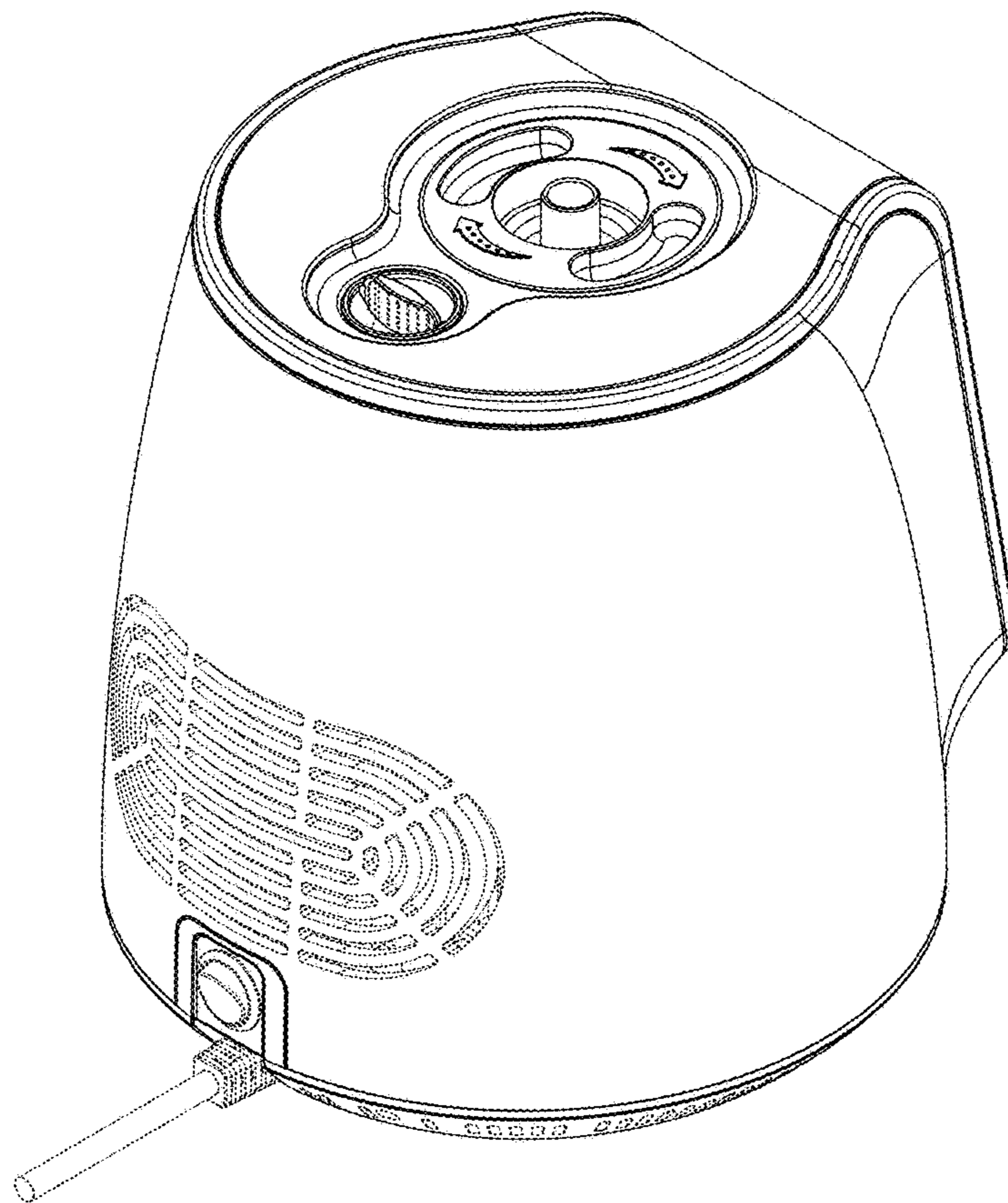


FIG. 10