



US00D868972S

(12) **United States Design Patent**
Maciejewski et al.

(10) **Patent No.:** **US D868,972 S**
(45) **Date of Patent:** **** Dec. 3, 2019**

(54) **MEDICAL APPARATUS FOR IMAGING**

(71) Applicant: **Siemens Healthcare GmbH**, Erlangen
(DE)

(72) Inventors: **Bernd Maciejewski**, Markt Erlbach
(DE); **Roman Achleitner**, Nuremberg
(DE)

(73) Assignee: **Siemens Healthcare GmbH**, Erlangen
(DE)

(**) Term: **15 Years**

(21) Appl. No.: **29/647,486**

(22) Filed: **May 14, 2018**

(30) **Foreign Application Priority Data**

Nov. 14, 2017 (EM) 004506236

(51) **LOC (12) Cl.** **24-01**

(52) **U.S. Cl.**
USPC **D24/158**

(58) **Field of Classification Search**
USPC D24/107, 158–161, 185, 186, 187, 231
CPC .. A61B 6/03; A61B 6/035; A61B 5/05; A61B
5/055; A61N 2005/1054; A61N
2005/1055; A61N 2005/1074; A61N 5/01;
A61N 5/10; A61N 5/1081; A61N 5/1084
See application file for complete search history.

(56) **References Cited**

U.S. PATENT DOCUMENTS

D701,309 S * 3/2014 Ohmukai D24/158
D715,945 S * 10/2014 Zhang D24/159

D738,505 S * 9/2015 Eberler D24/158
D758,587 S * 6/2016 Eberler D24/158
D785,180 S * 4/2017 Avranches D24/158
D785,181 S * 4/2017 Grosshauser D24/158
D785,182 S * 4/2017 Grosshauser D24/158
D785,801 S * 5/2017 Grosshauser D24/158
D794,798 S * 8/2017 Grosshauser D24/158
D794,799 S * 8/2017 Achleitner D24/158
D806,878 S * 1/2018 Chang D24/158

* cited by examiner

Primary Examiner — Anhdao Doan

(74) *Attorney, Agent, or Firm* — Schiff Hardin LLP

(57) **CLAIM**

The ornamental design for a medical apparatus for imaging,
as shown and described.

DESCRIPTION

FIG. 1 is a front elevational view of a medical apparatus for
imaging showing our new design;
FIG. 2 is a back elevational view thereof;
FIG. 3 is a top plan view thereof;
FIG. 4 is a bottom plan view thereof;
FIG. 5 is a right side elevational view thereof;
FIG. 6 is a left side elevational view thereof; and,
FIG. 7 is a perspective view taken generally from the front,
top, and right-hand side thereof.
The broken lines shown in the drawings represent portions
of the medical apparatus for imaging that form no part of the
claimed design.

1 Claim, 7 Drawing Sheets

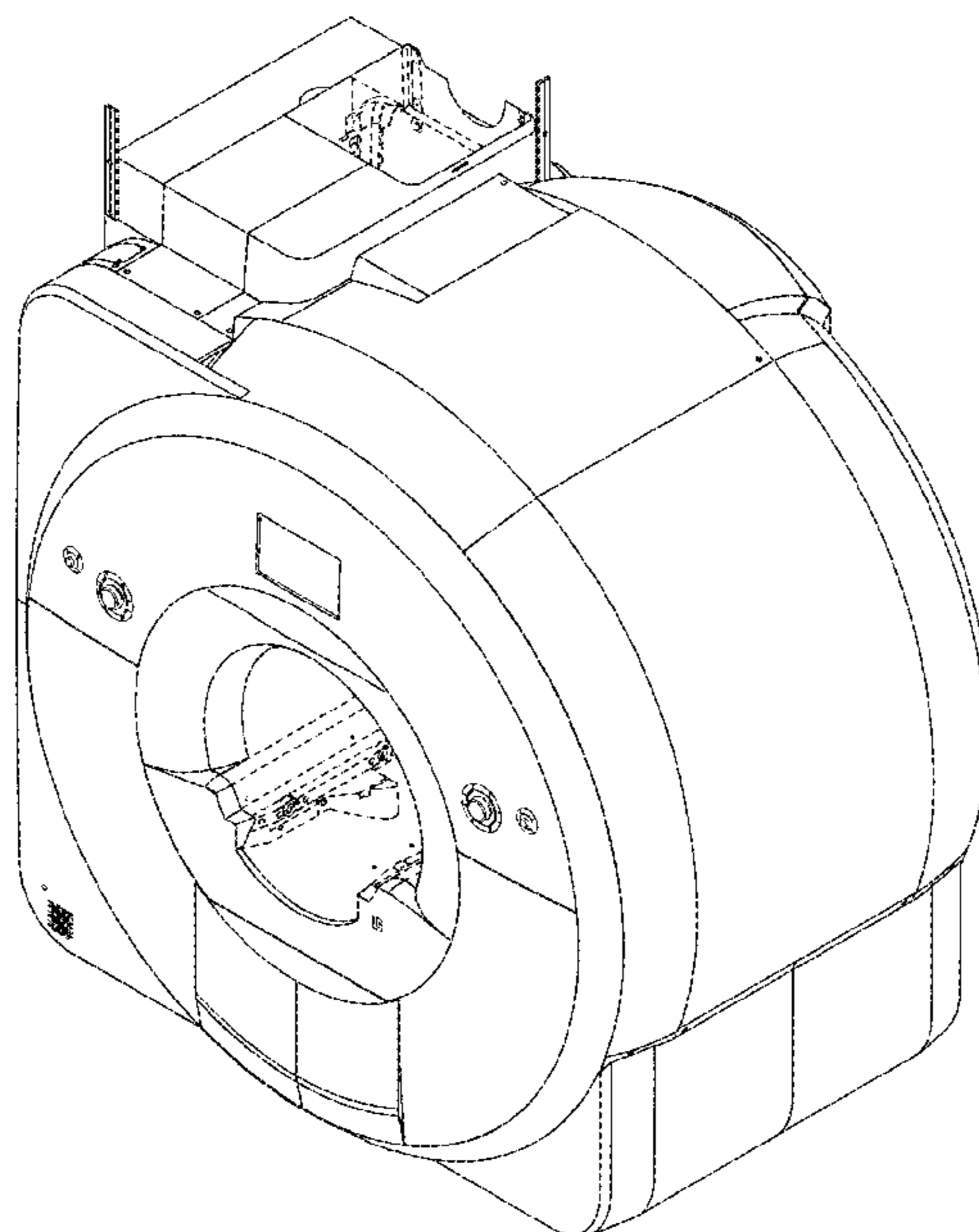


FIG 1

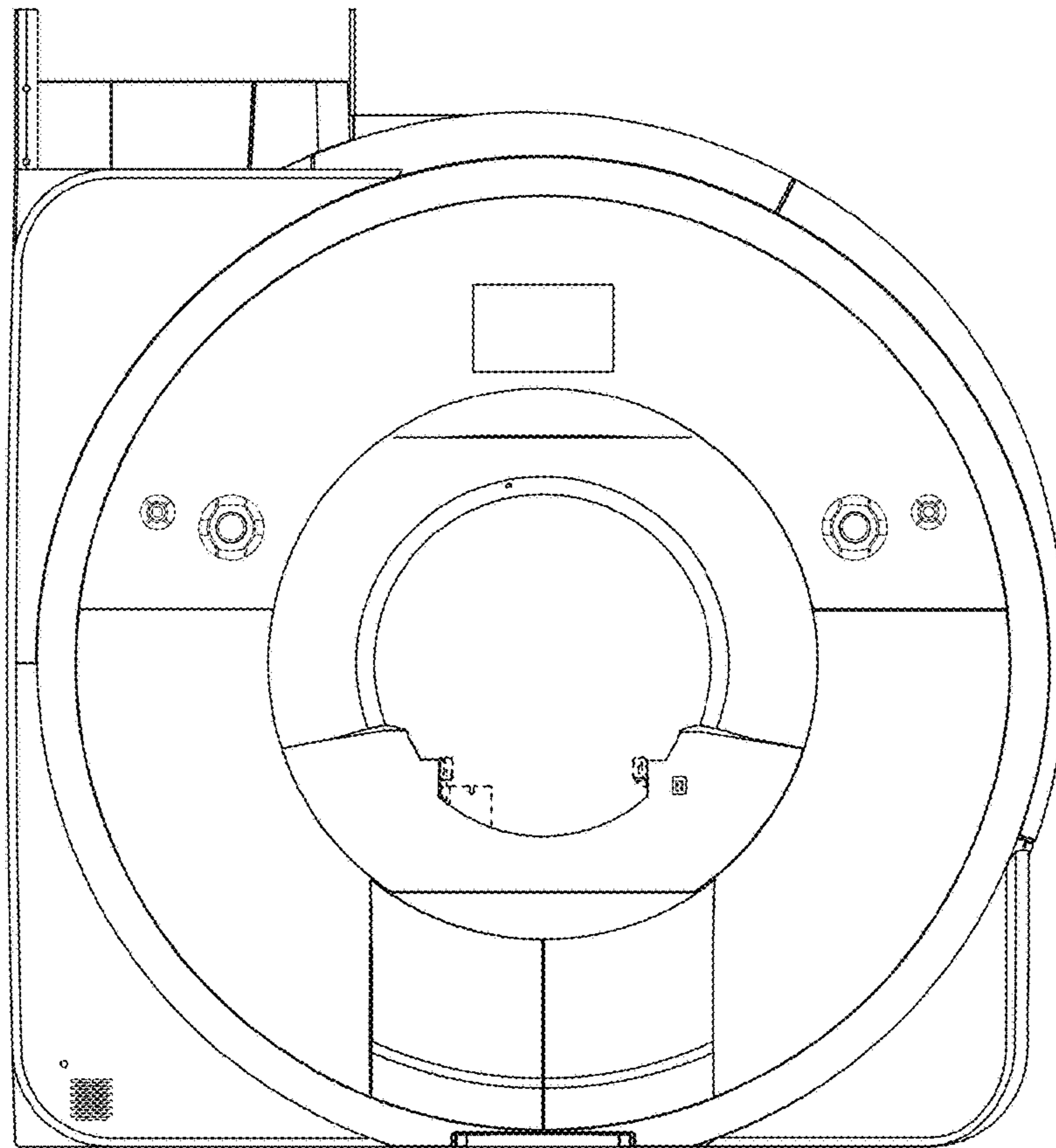


FIG 2

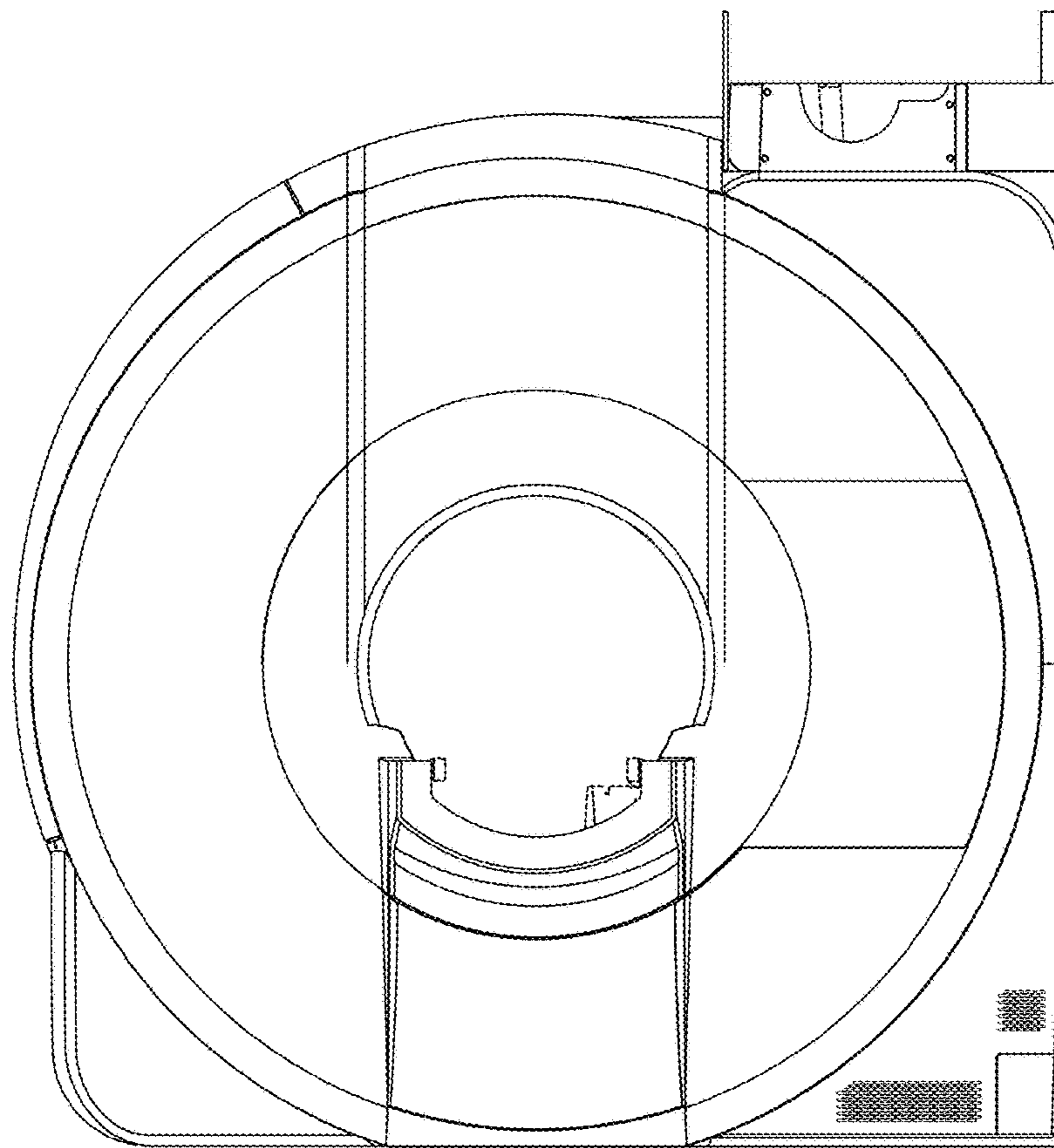


FIG 3

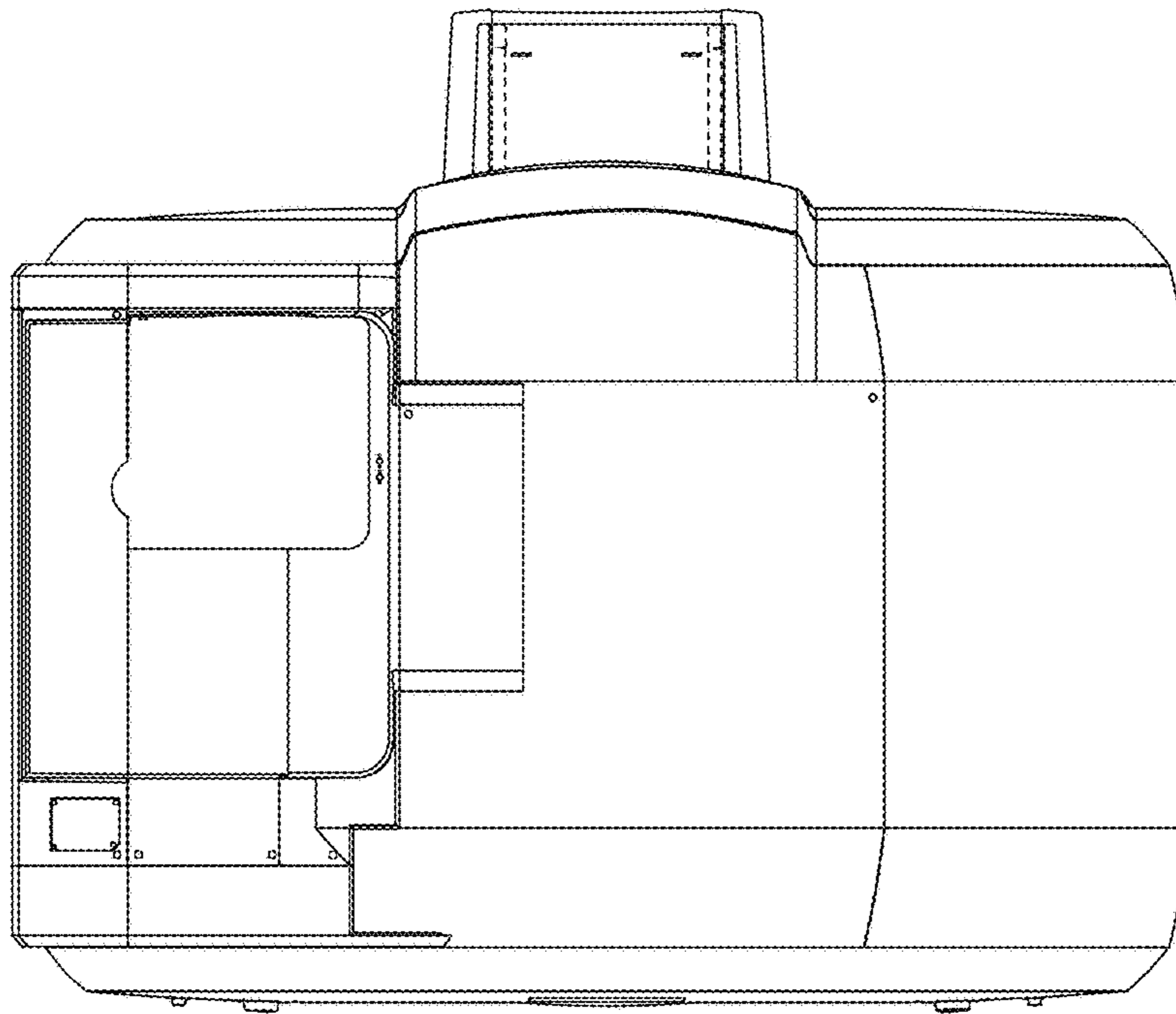


FIG 4

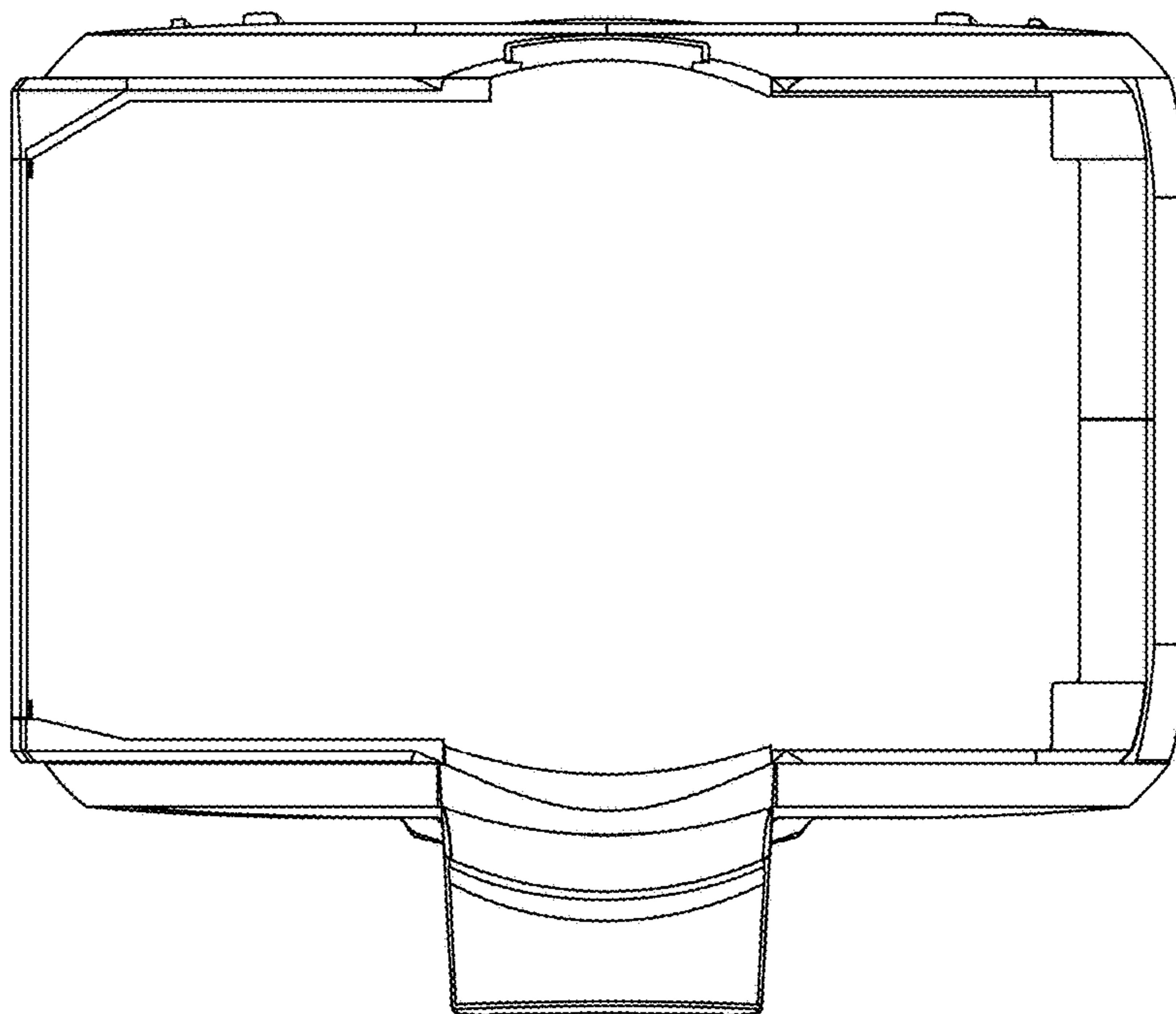


FIG 5

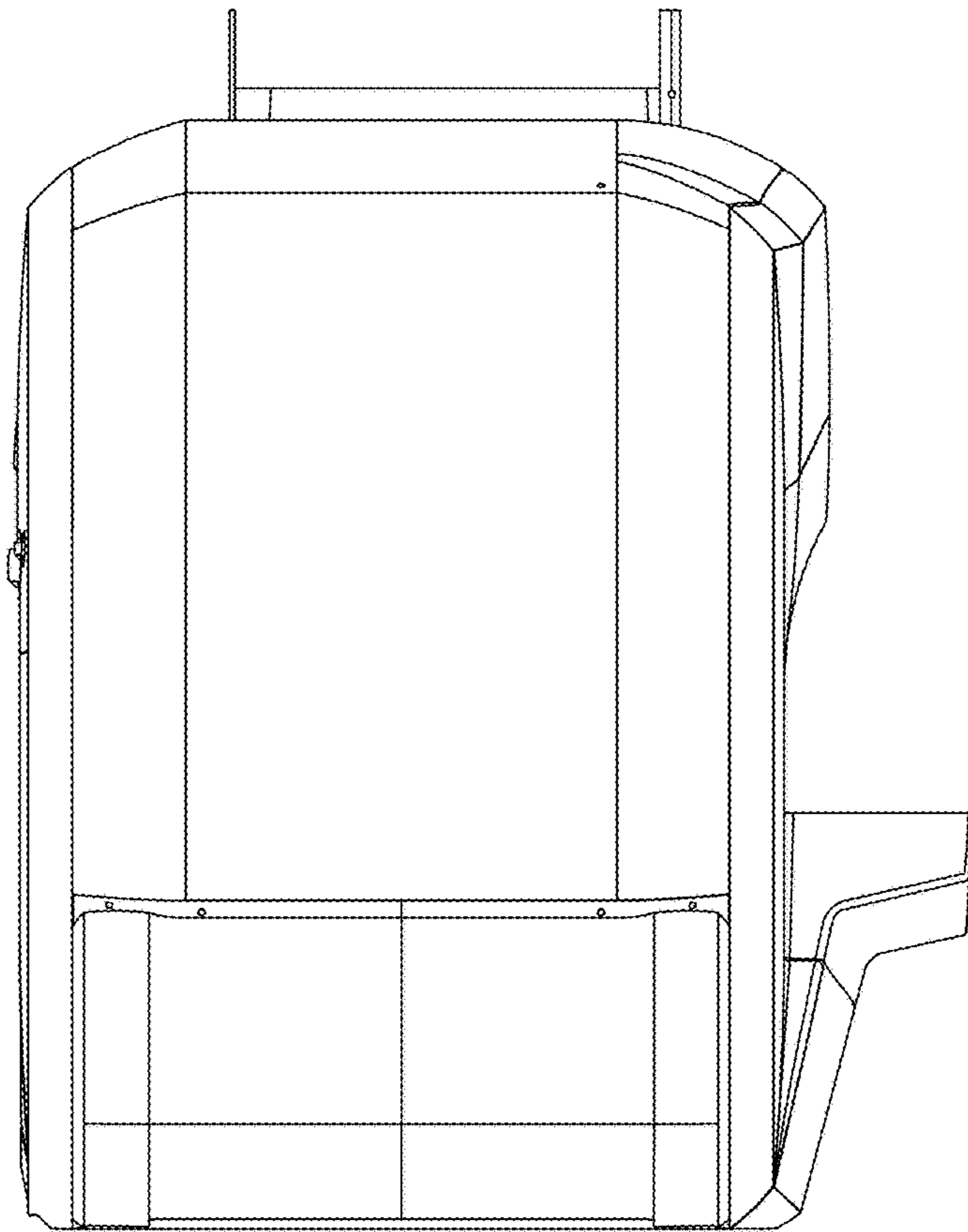


FIG 6

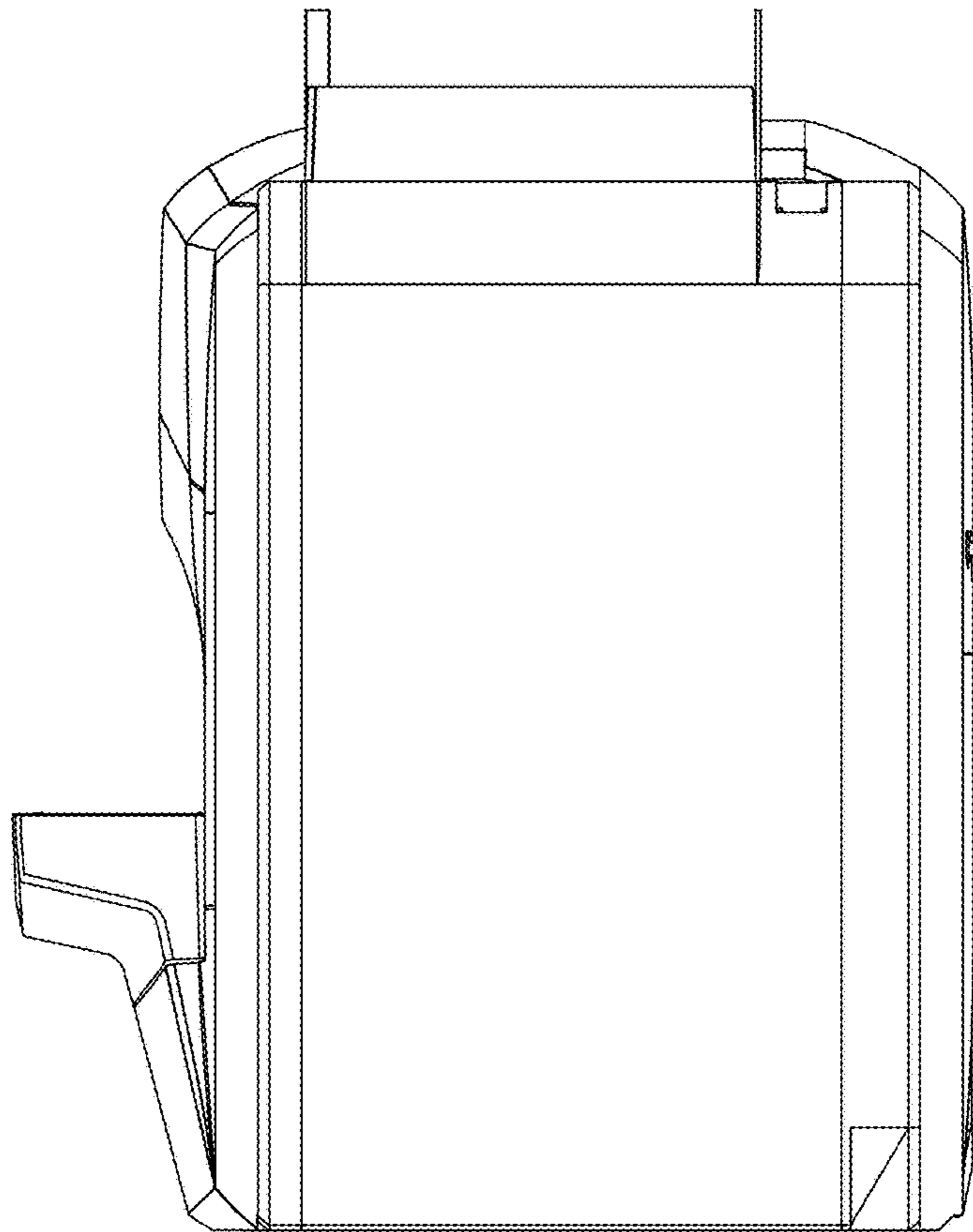


FIG 7

