



US00D868971S

(12) **United States Design Patent** (10) **Patent No.:** **US D868,971 S**
Delaey (45) **Date of Patent:** **** Dec. 3, 2019**

(54) **FRONT OF AN MR SCANNER**

(56)

References Cited

(71) Applicant: **KONINKLIJKE PHILIPS N.V.**,
Eindhoven (NL)

(72) Inventor: **Tom Philippe Jean Jacques Delaey**,
Eindhoven (NL)

(73) Assignee: **KONINKLIJKE PHILLIPS N.V.**,
Eindhoven (NL)

(**) Term: **15 Years**

(21) Appl. No.: **29/645,785**

(22) Filed: **Apr. 30, 2018**

(30) **Foreign Application Priority Data**

U.S. PATENT DOCUMENTS

D715,945	S	*	10/2014	Zhang	D24/159
D726,917	S	*	4/2015	Kim	D24/158
D738,505	S	*	9/2015	Eberler	D24/158
D785,801	S	*	5/2017	Grosshauser	D24/158
D794,798	S	*	8/2017	Grosshauser	D24/158
D804,031	S	*	11/2017	Hsu	D24/158
D818,126	S	*	5/2018	Personnelli	D24/158
2014/0064440	A1	*	3/2014	Hara	A61B 6/508 378/4
2017/0131370	A1	*	5/2017	Delaey	G01R 33/28

* cited by examiner

Primary Examiner — Anhdao Doan

Oct. 31, 2017 (EM) 004426831-0002

(51) **LOC (12) Cl.** **24-01**

(52) **U.S. Cl.**
USPC **D24/158**

(58) **Field of Classification Search**
USPC D24/107, 158–161, 185, 186, 187, 231
CPC .. A61B 6/03; A61B 6/035; A61B 5/05; A61B
5/055; G01N 2223/1013; G01N
2223/1016; A61N 2005/1054; A61N
2005/1055; A61N 2005/1074

See application file for complete search history.

(57)

CLAIM

The ornamental design for a front of an MR scanner, as shown.

DESCRIPTION

FIG. 1 is a perspective view showing the my design; and, FIG. 2 is a front elevational view thereof.

1 Claim, 2 Drawing Sheets



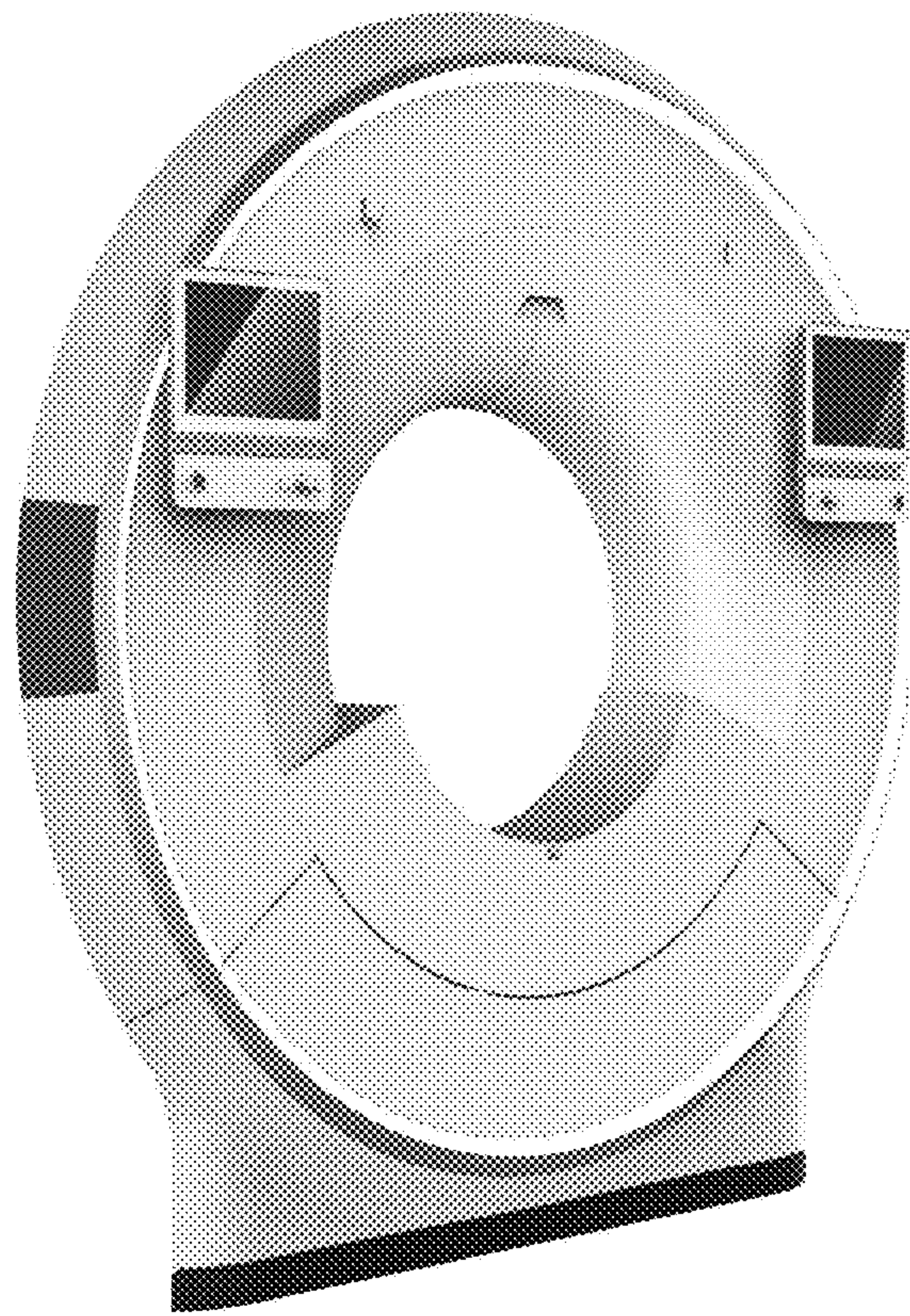


FIG. 1

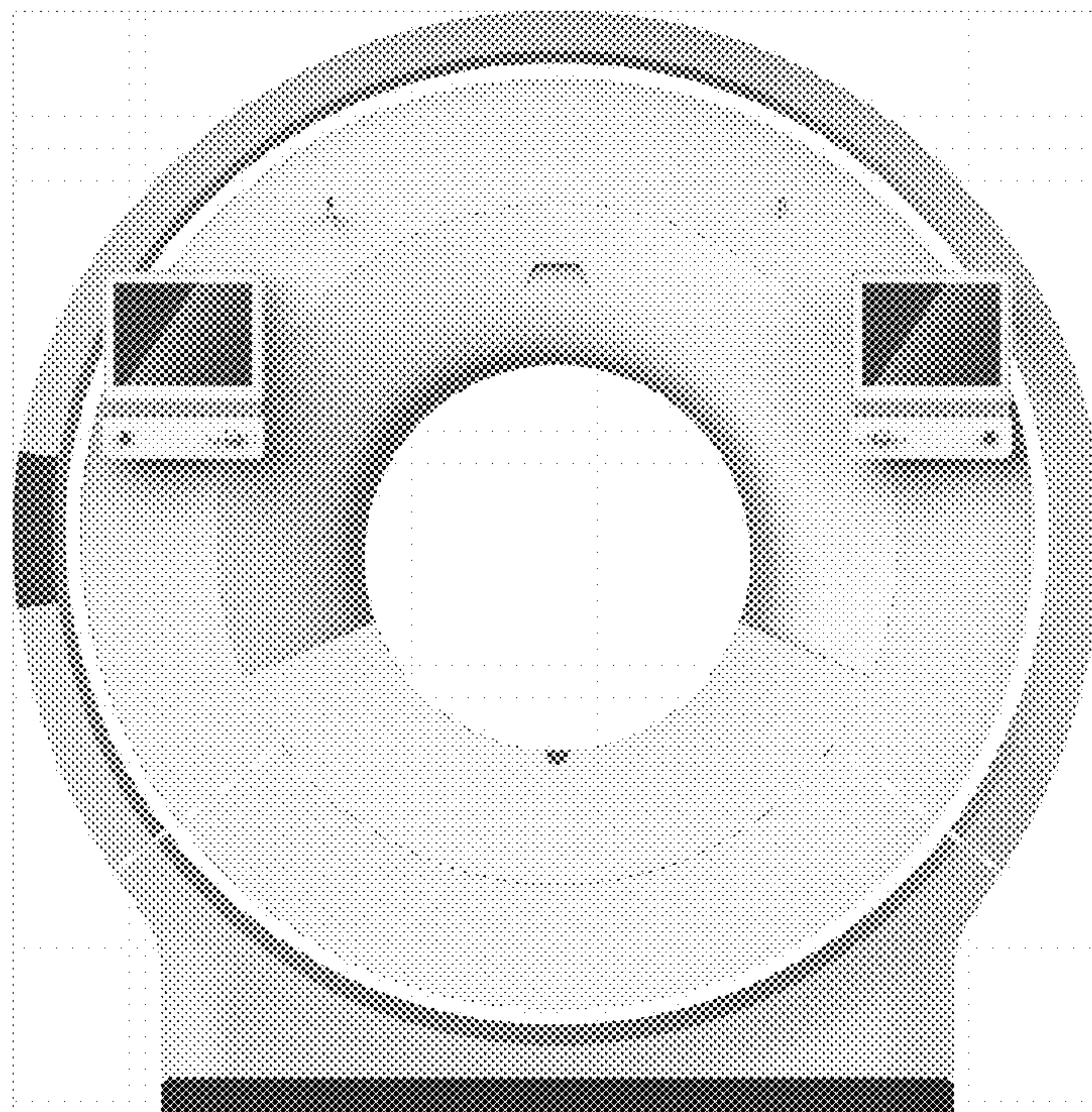


FIG. 2