



US00D868970S

(12) **United States Design Patent** (10) **Patent No.:** **US D868,970 S**
Kwak et al. (45) **Date of Patent:** **** Dec. 3, 2019**

(54) **ULTRASOUND DIAGNOSTIC APPARATUS**
 (71) Applicant: **Siemens Medical Solutions USA, Inc.**,
 Malvern, PA (US)
 (72) Inventors: **SeoRyong Kwak**, Gyeonggi-do (KR);
SangHoon Youn, Gyeonggi-do (KR);
DeaKi Hong, Gyeonggi-do (KR);
Bongkyu Song, Seoul (KR); **Ilwoo Lee**,
 Seoul (KR); **Sehan Kim**, Seoul (KR);
JooYeon Lee, Gyeonggi-do (KR)

D728,790 S * 5/2015 Kim D24/158
 D728,791 S * 5/2015 Ninomiya D24/158
 D743,558 S * 11/2015 Kim D24/158
 D804,673 S * 12/2017 Shin D24/186
 D825,763 S * 8/2018 Lim D24/160
 2007/0270694 A1* 11/2007 Pelissier A61B 8/4405
 600/443

(73) Assignee: **Siemens Medical Solutions USA, Inc.**,
 Malvern, PA (US)

(**) Term: **15 Years**

(21) Appl. No.: **29/628,701**

(22) Filed: **Dec. 6, 2017**

(51) **LOC (12) Cl.** **24-01**

(52) **U.S. Cl.**
 USPC **D24/158**; D24/160

(58) **Field of Classification Search**
 USPC D24/152, 158, 160, 161, 185, 186, 187,
 D24/231; D14/315, 318
 CPC ... A61B 6/4405; A61B 6/4411; A61B 6/4435;
 A61B 6/4441; A61B 6/4447; A61B
 8/4405; A61B 8/4411; A61B 8/4427;
 A61B 8/462; A61B 8/0437; A61B 8/0883
 See application file for complete search history.

(56) **References Cited**

U.S. PATENT DOCUMENTS

6,683,784 B1 1/2004 Bidwell et al.
 D662,208 S * 6/2012 Otoha D24/185
 D707,359 S * 6/2014 Kim D24/185
 D711,539 S * 8/2014 Hunt D24/158
 D713,035 S * 9/2014 Kim D24/158

OTHER PUBLICATIONS

“Acuson NX Ultrasound System” Siemens Medical Solutions USA,
 Inc.Ultrasound. pp. 1-7. Aug. 2015.

(Continued)

Primary Examiner — Anhdao Doan

(57) **CLAIM**

The ornamental design for an ultrasound diagnostic appa-
 ratus, as shown and described.

DESCRIPTION

FIG. 1 is a top, front, and left side perspective view showing
 a second embodiment of our new design for an ultrasound
 diagnostic apparatus.

FIG. 2 is a front view of the ultrasound diagnostic apparatus
 of FIG. 1.

FIG. 3 is a left side view of the ultrasound diagnostic
 apparatus of FIG. 1.

FIG. 4 is a rear view of the ultrasound diagnostic apparatus
 of FIG. 1.

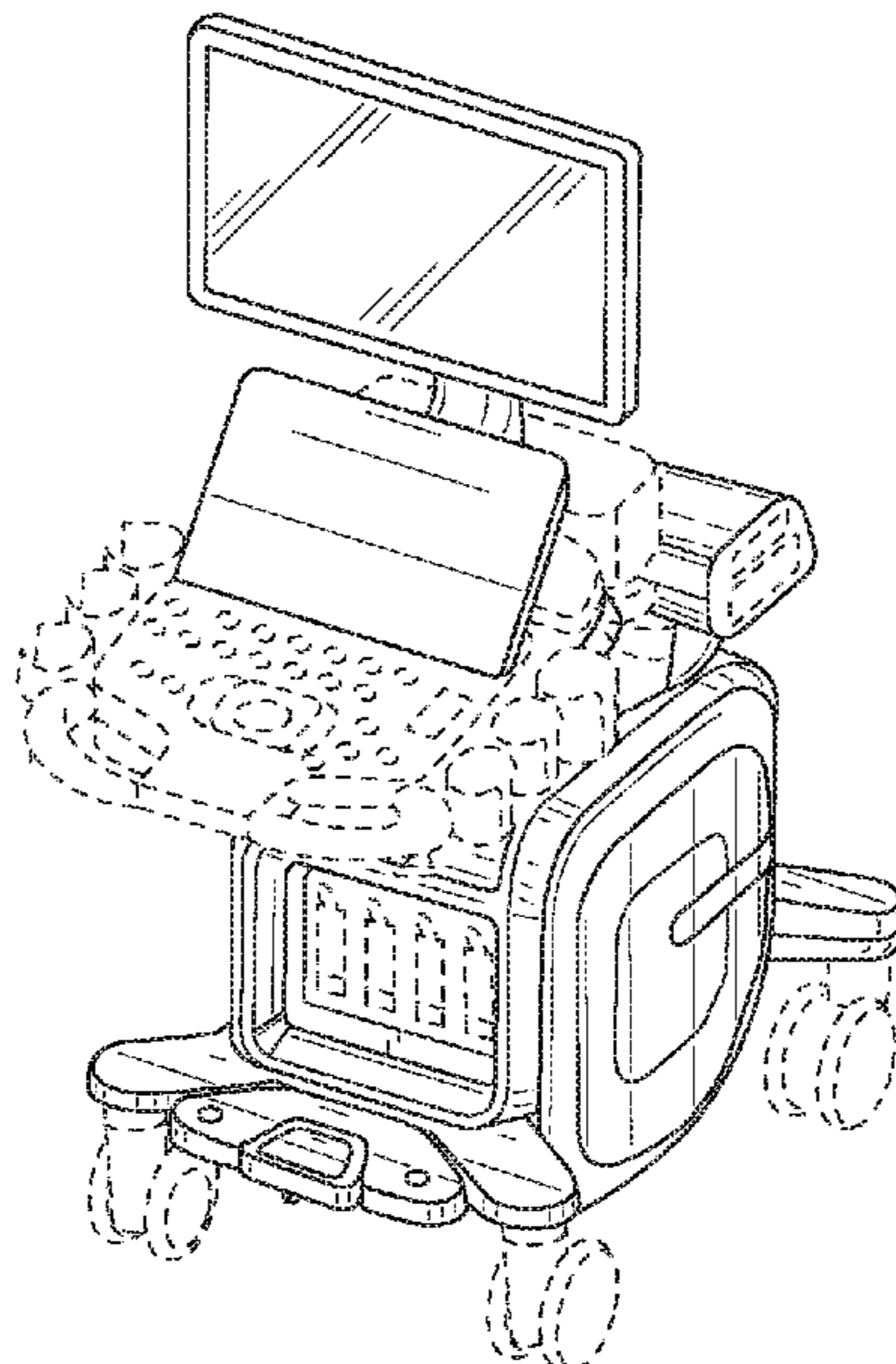
FIG. 5 is a right side view of the ultrasound diagnostic
 apparatus of FIG. 1.

FIG. 6 is a top view of the ultrasound diagnostic apparatus
 of FIG. 1; and,

FIG. 7 is a bottom view of the ultrasound diagnostic
 apparatus of FIG. 1.

The broken lines illustrate portions of the ultrasound diag-
 nostic apparatus that form no part of the claimed design.

1 Claim, 3 Drawing Sheets



(56)

References Cited

OTHER PUBLICATIONS

“Acuson X150 Ultrasound System Quick Reference Guide—General System Overview”—Siemens Medical Solutions USA, Inc. pp. 1-5. Jun. 2010.

“Exceptional Value ACUSON S1000 Ultrasound System” Siemens Medical Solutions USA, Inc. 2015.

“F37 Practical and Powerful Ultrasound” Hitachi Aloka Medical America, Inc. pp. 1-12. 2017.

“LOGIQ C5 TruScan Imaging Technology” General Electric Company. pp. 1-11. 2008.

“Philips HD11 XE Ultrasound System” Philips Healthcare Global Information Center. pp. 1-12. 2008.

“Scan Smarter ACUSON NX3 Series” Siemens Medical Solutions USA, Inc. pp. 1-16. 2015.

“Voluson E8” General Electric Company. pp. 1-8. 2017.

* cited by examiner

FIG. 1

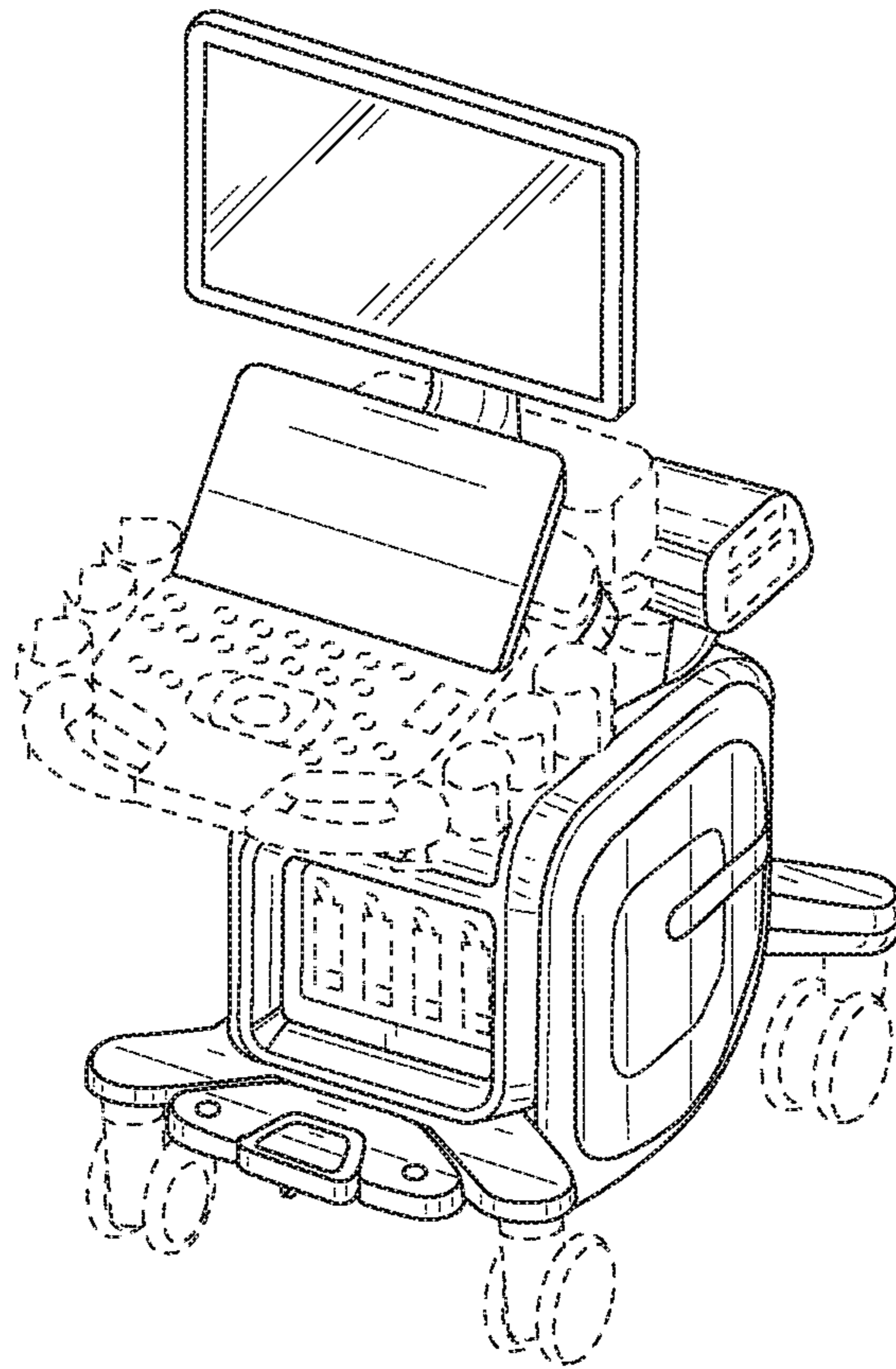


FIG. 2

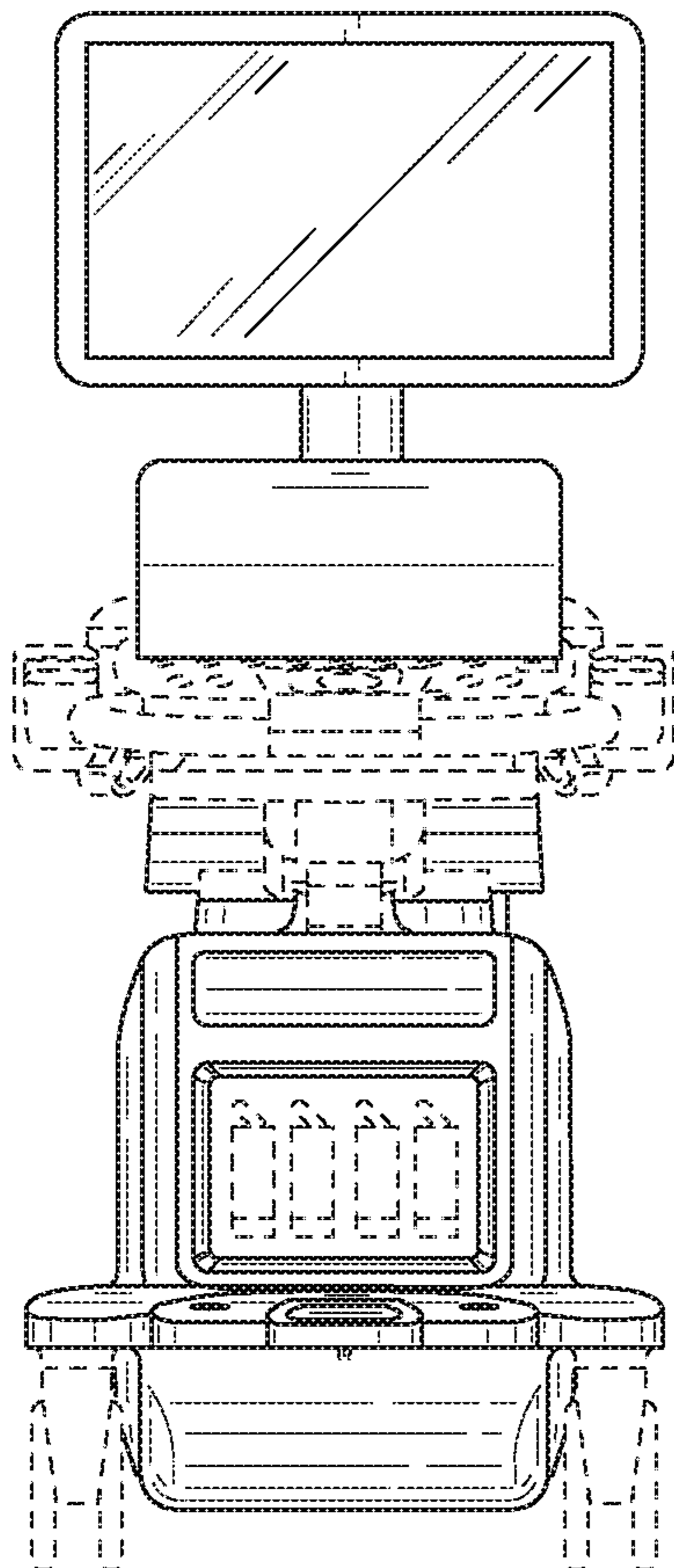


FIG. 3

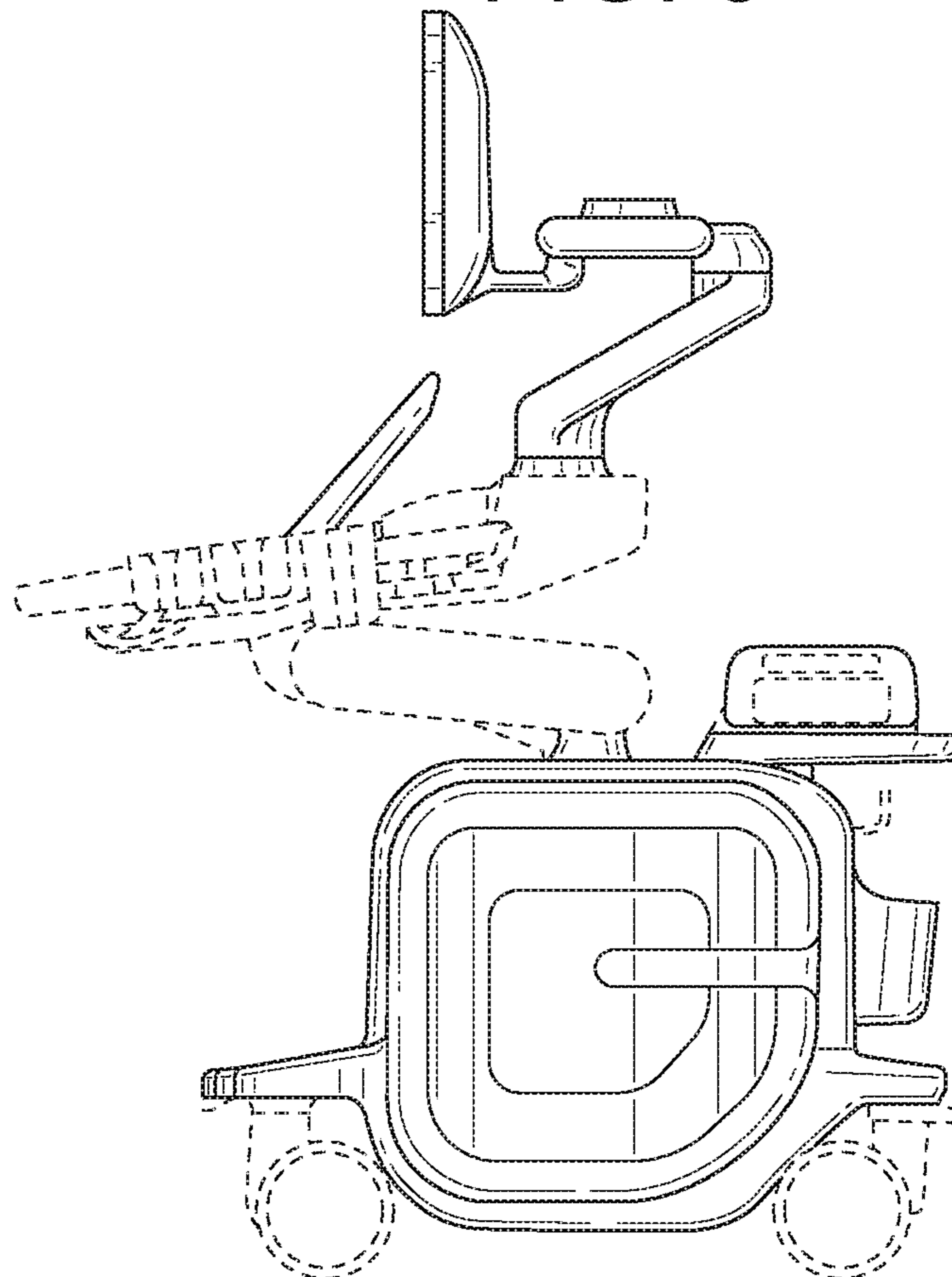


FIG. 4

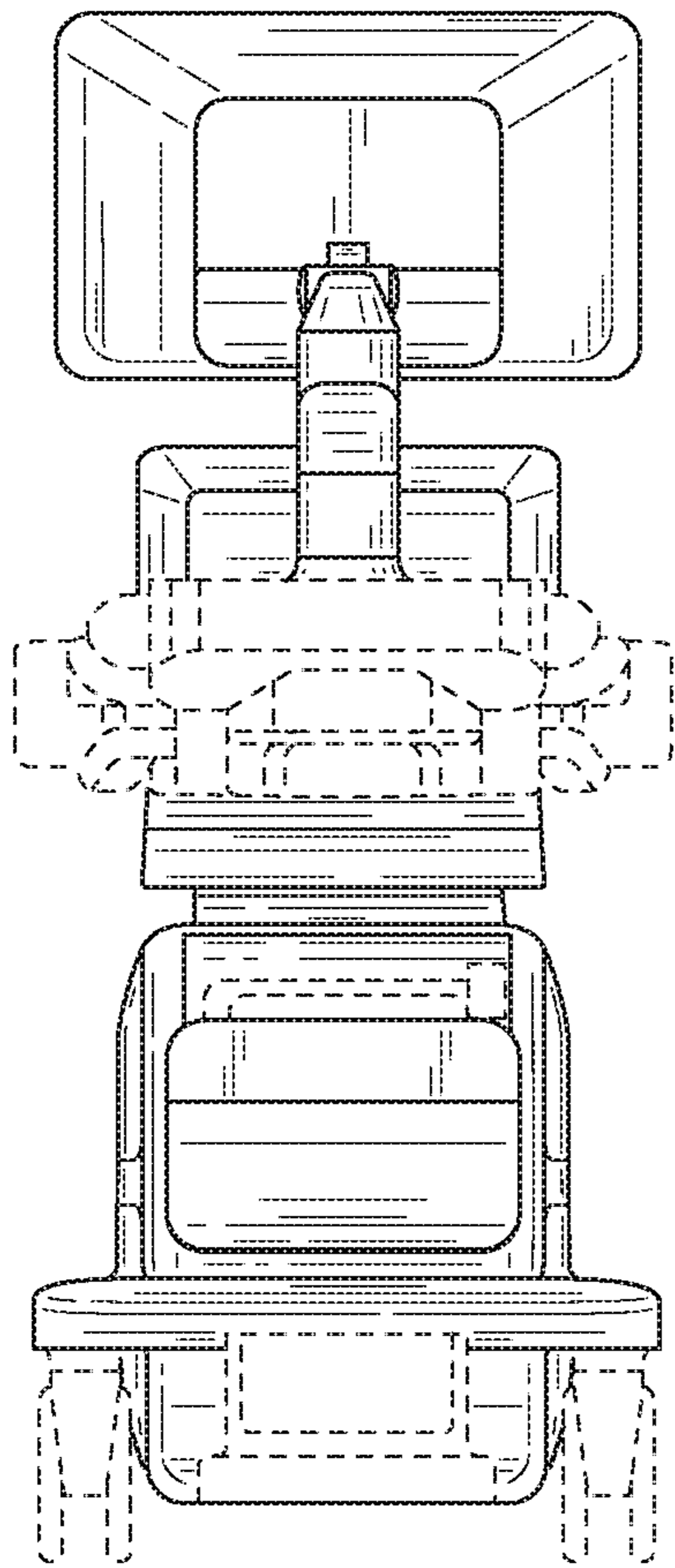


FIG. 5

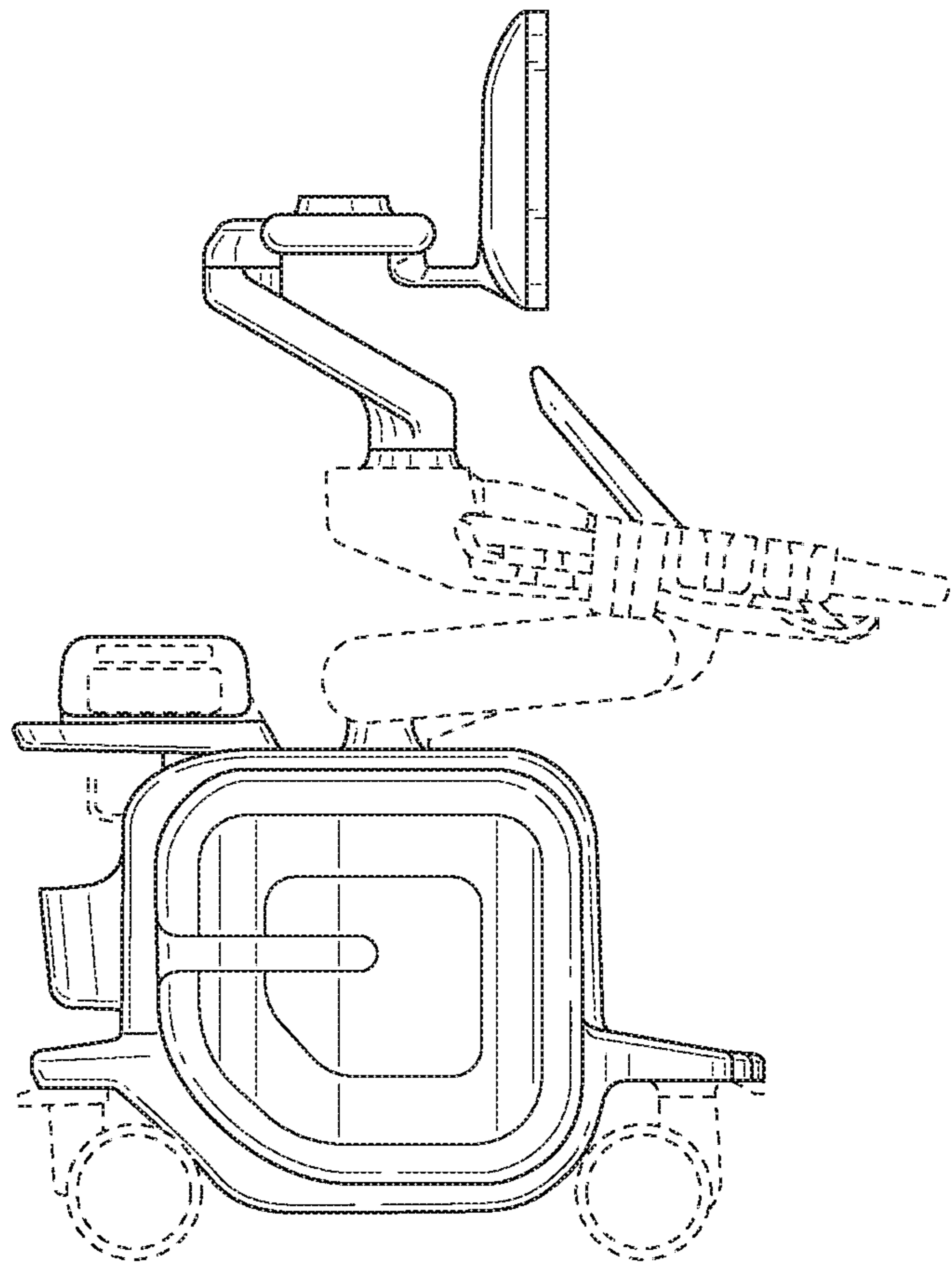


FIG. 6

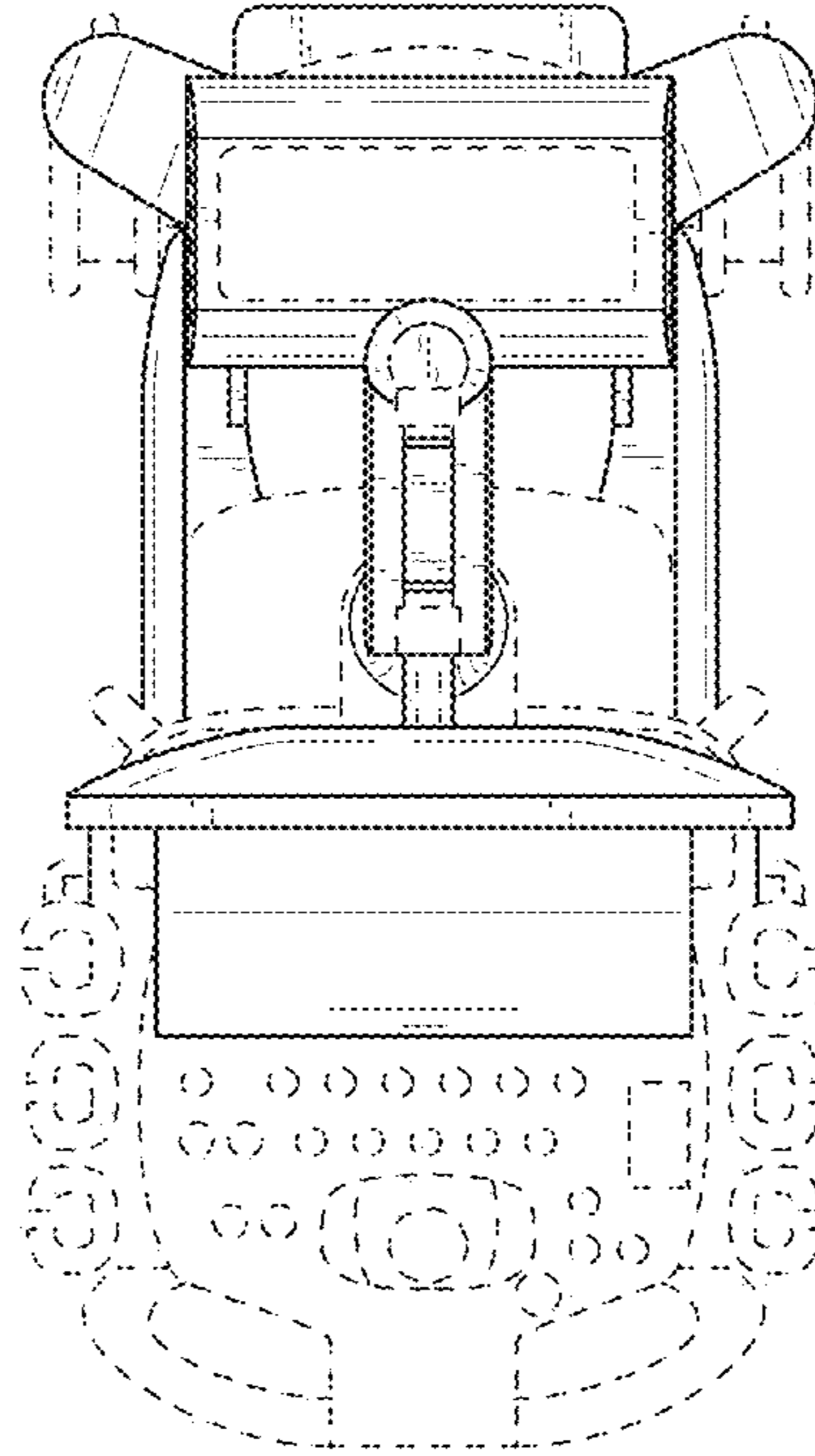


FIG. 7

