



US00D868968S

(12) **United States Design Patent** (10) **Patent No.:** **US D868,968 S**
Haworth (45) **Date of Patent:** **** Dec. 3, 2019**

(54) **MAMMARY PAPILLA IMPLANT**

OTHER PUBLICATIONS

(71) Applicant: **Steve A. Haworth**, Gilbert, AZ (US)

store_stevehaworth_com webpage by Steve Haworth, viewed on Jul. 4, 2018.

(72) Inventor: **Steve A. Haworth**, Gilbert, AZ (US)

* cited by examiner

(**) Term: **15 Years**

Primary Examiner — Charles D Hanson

(21) Appl. No.: **29/655,535**

(74) *Attorney, Agent, or Firm* — Mark V. Loen

(22) Filed: **Jul. 4, 2018**

(57) **CLAIM**

(51) **LOC (12) Cl.** **24-03**

The ornamental design for a mammary papilla implant, as shown and described.

(52) **U.S. Cl.**

USPC **D24/155**

DESCRIPTION

(58) **Field of Classification Search**

USPC D24/155–157

CPC A61F 2/12

See application file for complete search history.

(56) **References Cited**

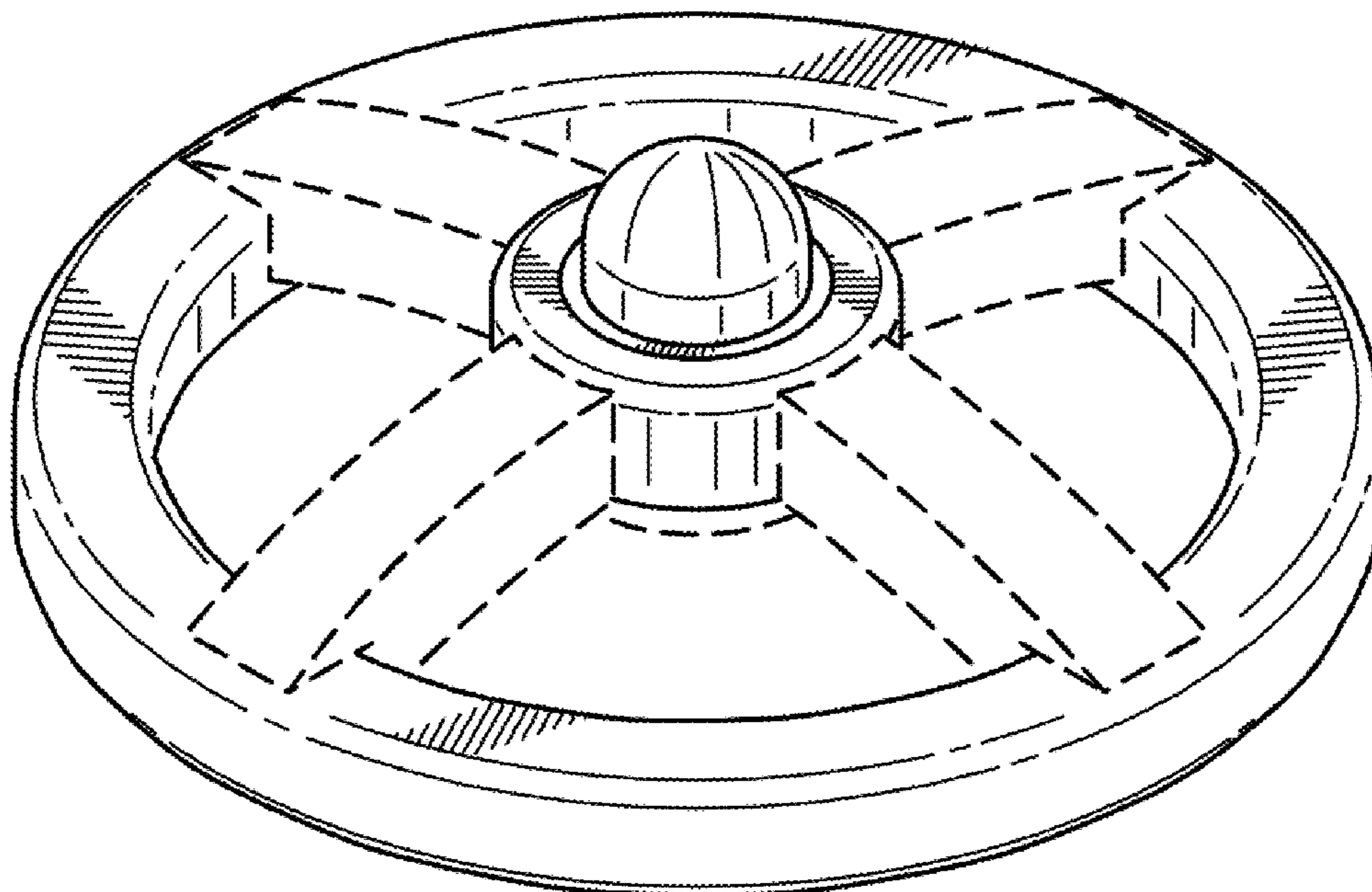
U.S. PATENT DOCUMENTS

4,217,889	A	8/1980	Radovan et al.	
4,643,733	A	2/1987	Becker	
6,755,861	B2	6/2004	Nakao	
8,447,386	B2 *	5/2013	Burbank	A61K 49/226 600/431
8,529,624	B2	9/2013	Linares	
8,679,279	B2 *	3/2014	Thompson	B29C 43/02 156/242
2012/0101575	A1 *	4/2012	Horne	A61F 2/12 623/8
2012/0143330	A1	6/2012	Linares	
2013/0116782	A1 *	5/2013	Horne	A61F 2/12 623/7

FIG. 1 is a front view of a mammary papilla implant; the left side view and the right side view thereof are the same, FIG. 2 is a top view thereof; FIG. 3 is a bottom view thereof; FIG. 4 is an isometric view thereof; FIG. 5 is a second isometric view thereof; FIG. 6 is a cross section of FIG. 2 thereof; and, FIG. 7 is front view thereof showing the mammary papilla implant located in a condition of use.

The features drawn in evenly segmented lines in FIGS. 1-7 are unclaimed epidural attachment features. The mammary papilla implant is shown in FIG. 7 is without a skin covering to better see the mammary papilla implant in condition of use. The dash dot lines in FIG. 7 are for purposes of illustrating environmental structure associated with the claimed design in condition of use, and which forms no part of the claimed design.

1 Claim, 3 Drawing Sheets



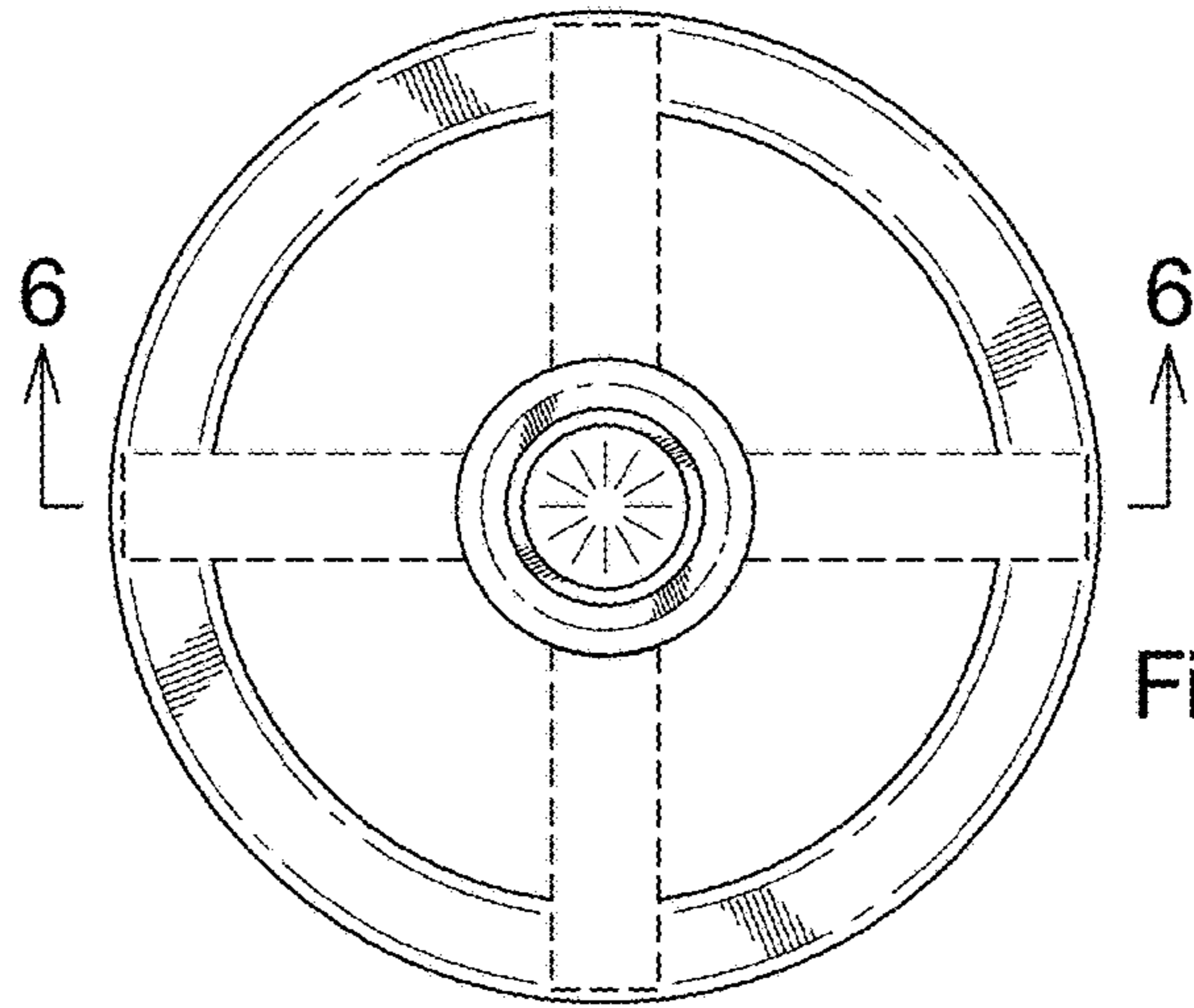


Fig. 2

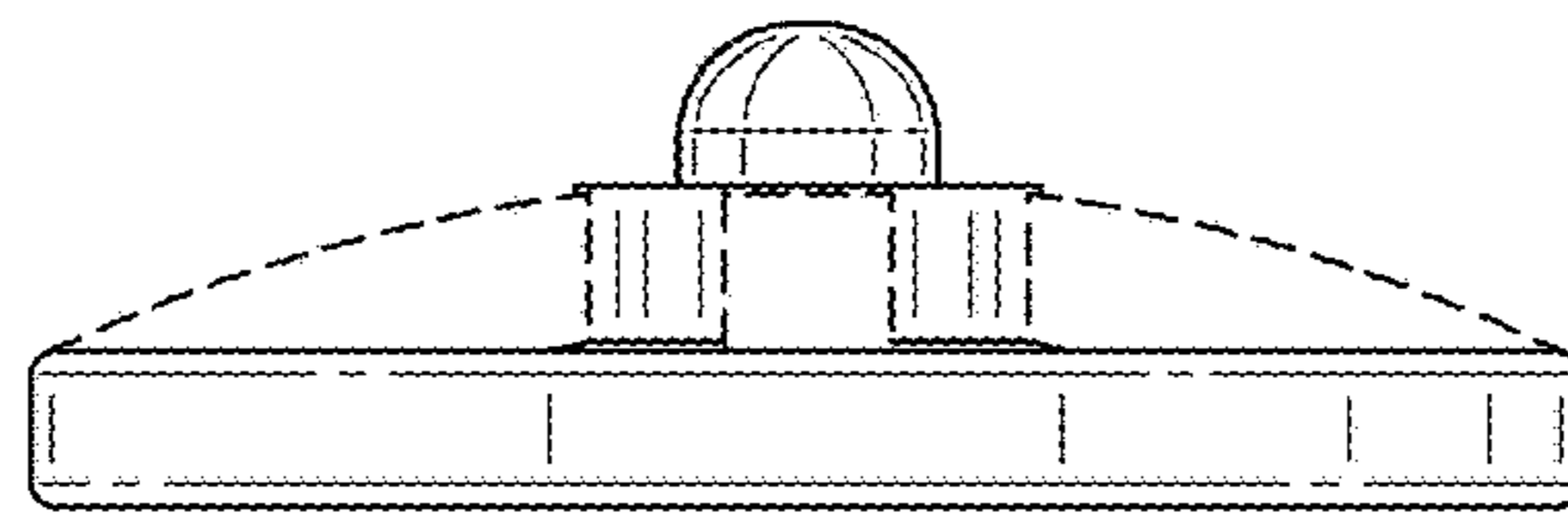


Fig. 1

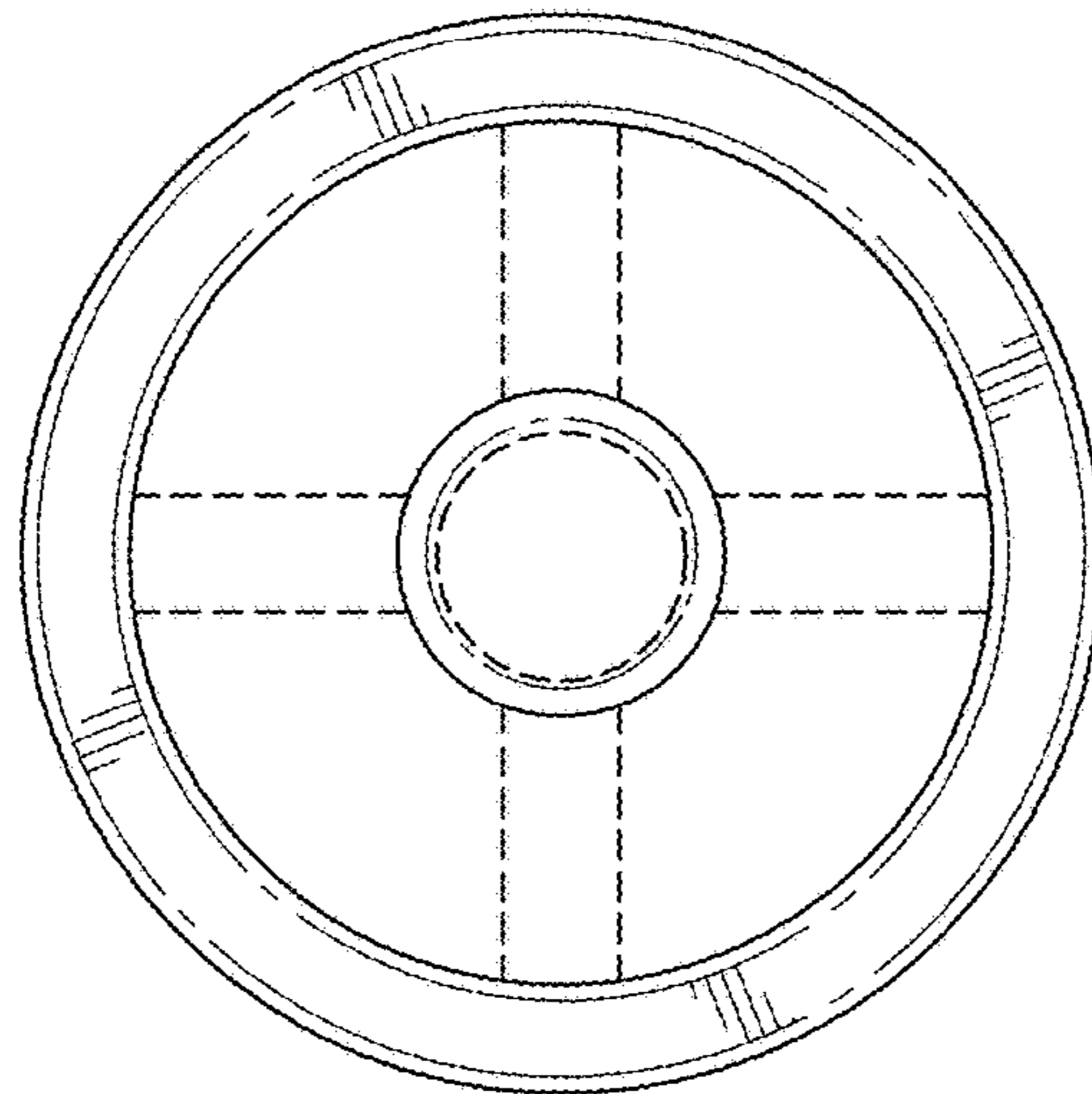


Fig. 3

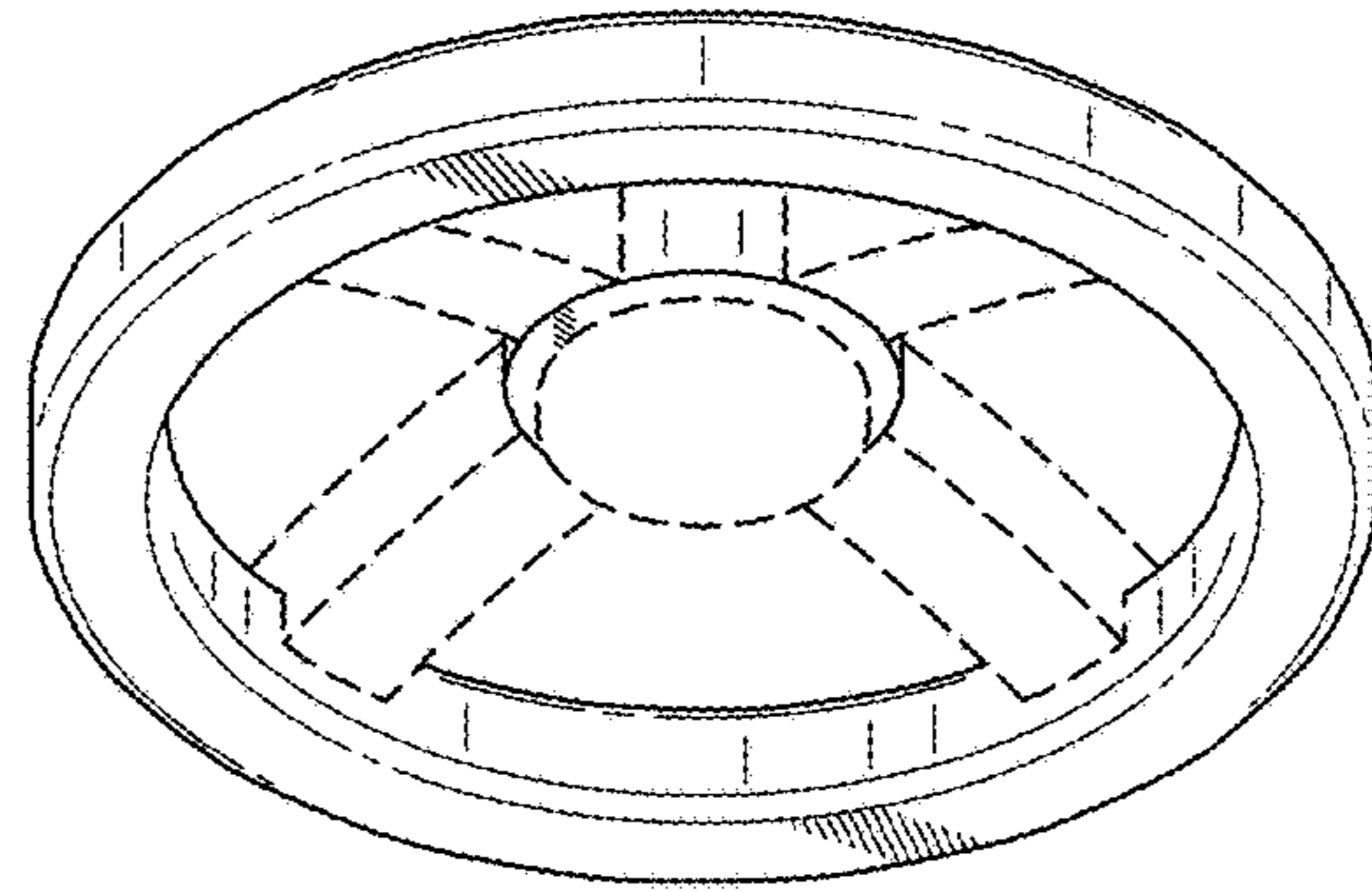


Fig. 4

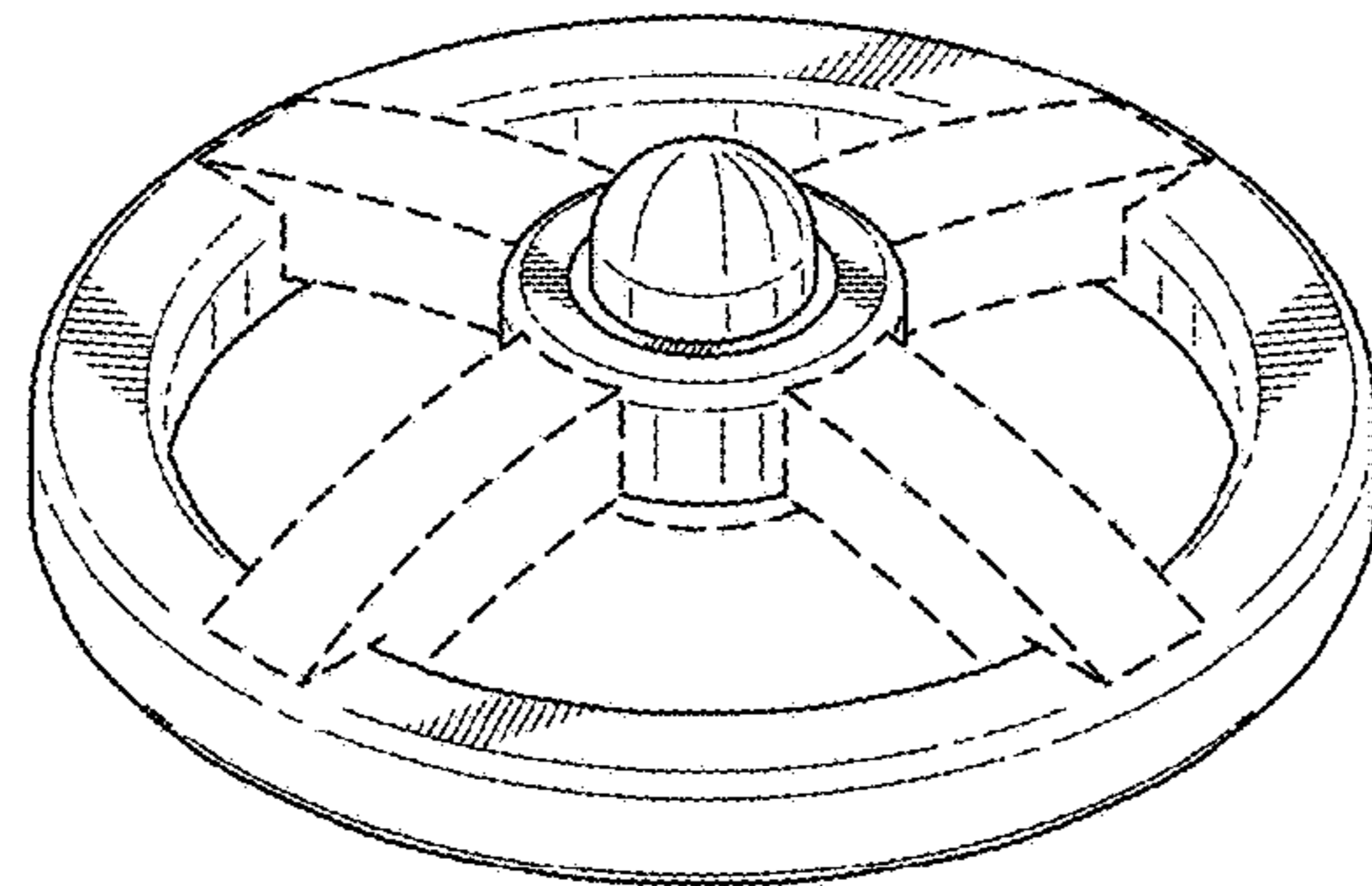


Fig. 5

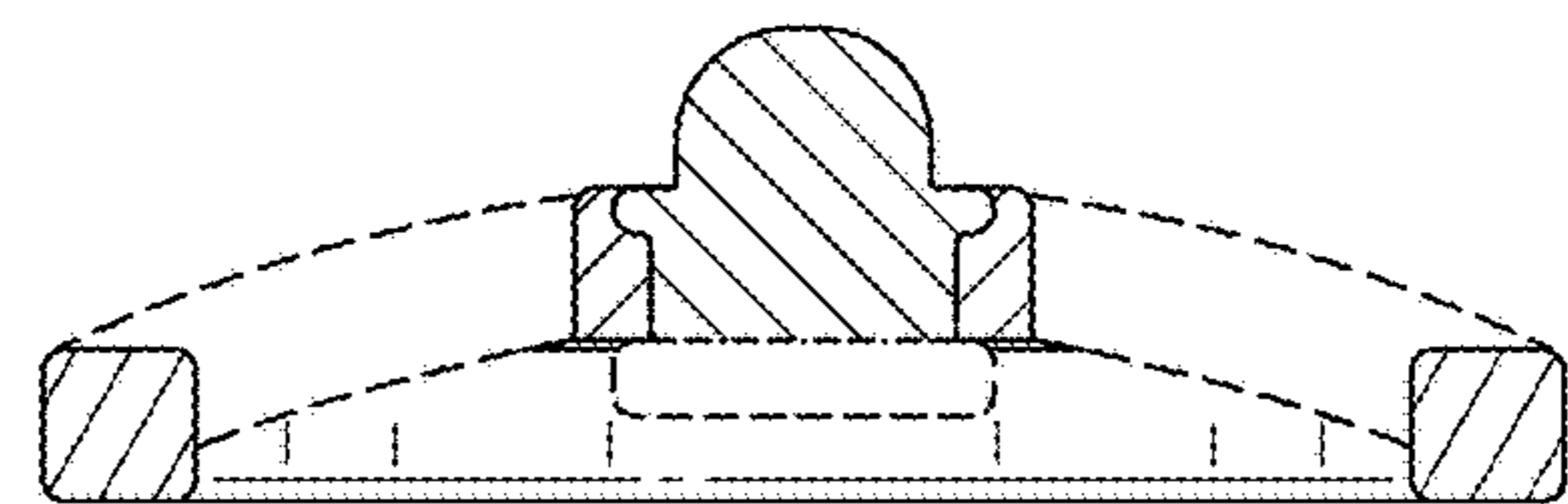


Fig. 6

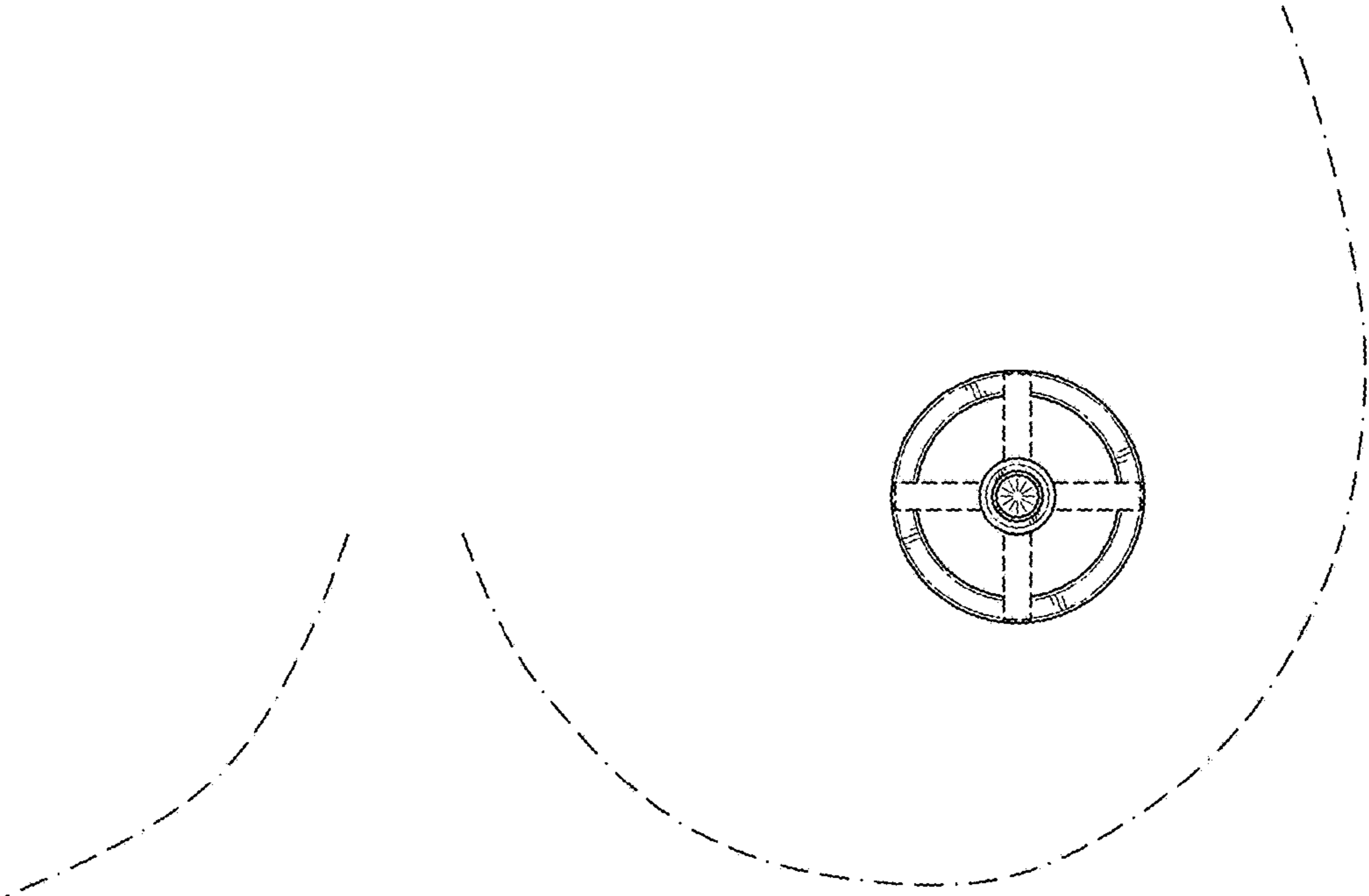


Fig. 7