



US00D868967S

(12) **United States Design Patent**
Sauer et al.

(10) **Patent No.:** **US D868,967 S**
(45) **Date of Patent:** **** Dec. 3, 2019**

- (54) **INTERFERENCE SCREW**
- (71) Applicant: **KARL STORZ SE & Co. KG**,
Tuttlingen (DE)
- (72) Inventors: **Michael Sauer**, Tuttlingen (DE); **Sarah Dressler**, Tuttlingen (DE)
- (73) Assignee: **KARL STORZ SE & Co. KG**,
Tuttlingen (DE)

D622,847 S * 8/2010 Berberich D24/145
 D628,292 S * 11/2010 Berberich D24/145
 8,821,541 B2 * 9/2014 Dreyfuss A61B 17/8645
 606/232

D812,751 S 3/2018 Richter et al.
 D846,977 S * 4/2019 Williams D8/387
 2009/0312841 A1 * 12/2009 LaLonde A61B 17/866
 623/23.48
 2012/0158137 A1 * 6/2012 Pinczewski A61F 2/0811
 623/13.14

(Continued)

(**) Term: **15 Years**

(21) Appl. No.: **29/644,101**

(22) Filed: **Apr. 13, 2018**

(30) **Foreign Application Priority Data**

Oct. 13, 2017 (EM) 004400000-0001

(51) **LOC (12) Cl.** **24-02**

(52) **U.S. Cl.**
USPC **D24/145**

(58) **Field of Classification Search**
USPC D24/145; D8/387
CPC ... A61B 17/86; A61B 17/8605; A61B 17/861;
A61B 17/864; A61B 17/8645; A61B
17/866; A61B 17/869; A61B 17/68; A61B
17/7082; A61B 2017/0648; A61F 2/0811;
A61F 2002/0858

See application file for complete search history.

(56) **References Cited**

U.S. PATENT DOCUMENTS

5,951,560 A * 9/1999 Simon A61F 2/0811
411/414
6,368,322 B1 * 4/2002 Luks A61B 17/861
606/308
6,468,277 B1 * 10/2002 Justin A61B 17/864
606/304
7,135,025 B2 * 11/2006 Pohjonen A61B 17/866
606/321

OTHER PUBLICATIONS

Peek interference screw. Arthrex. retrieved on Apr. 30, 2019.
<https://www.arthrex.com/products/AR-1360P>*

Primary Examiner — Wan Laymon

(74) *Attorney, Agent, or Firm* — Muncy, Geissler, Olds & Lowe, P.C.

(57) **CLAIM**

The ornamental design for an interference screw, as shown and described.

DESCRIPTION

FIG. 1 is a front perspective view of an interference screw according to the present invention.

FIG. 2 is a front view of the interference screw of FIG. 1.

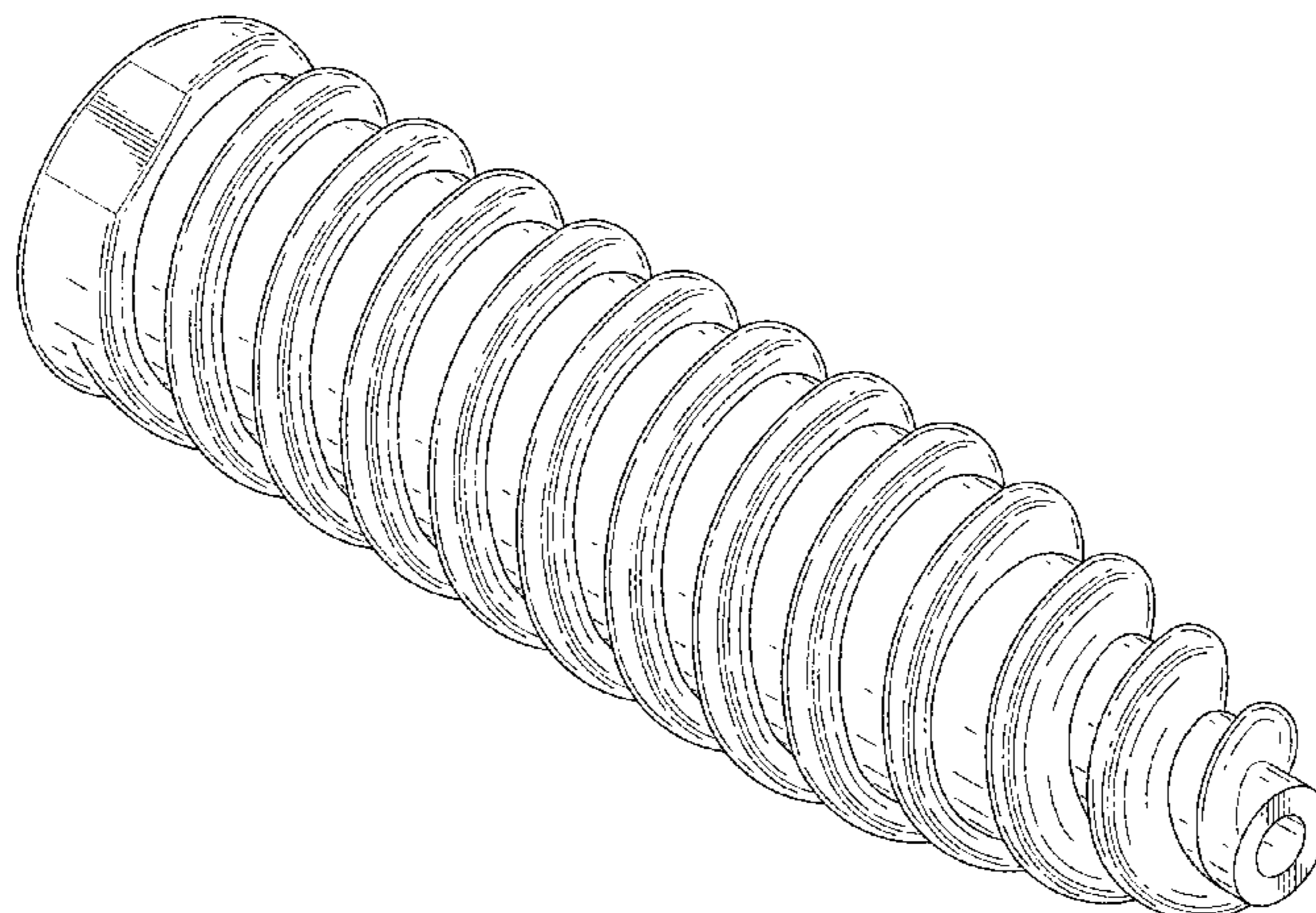
FIG. 3 is a rear view of the interference screw of FIG. 1.

FIG. 4 is a left side view of the interference screw of FIG. 1.

FIG. 5 is a right side view of the interference screw of FIG. 1.

FIG. 6 is a top view of the interference screw of FIG. 1; and, FIG. 7 is a bottom view of the interference screw of FIG. 1. The broken lines in FIG. 4 are included for the purpose of illustrating a portion of the interference screw that forms no part of the claimed design.

1 Claim, 6 Drawing Sheets



(56)

References Cited

U.S. PATENT DOCUMENTS

2016/0166301 A1* 6/2016 Papangelou A61F 2/0811
623/23.5
2017/0020589 A1* 1/2017 Bowman A61F 2/0811
2017/0303912 A1* 10/2017 ElAttrache A61B 17/0401
2018/0116814 A1* 5/2018 Sullivan A61B 17/864

* cited by examiner

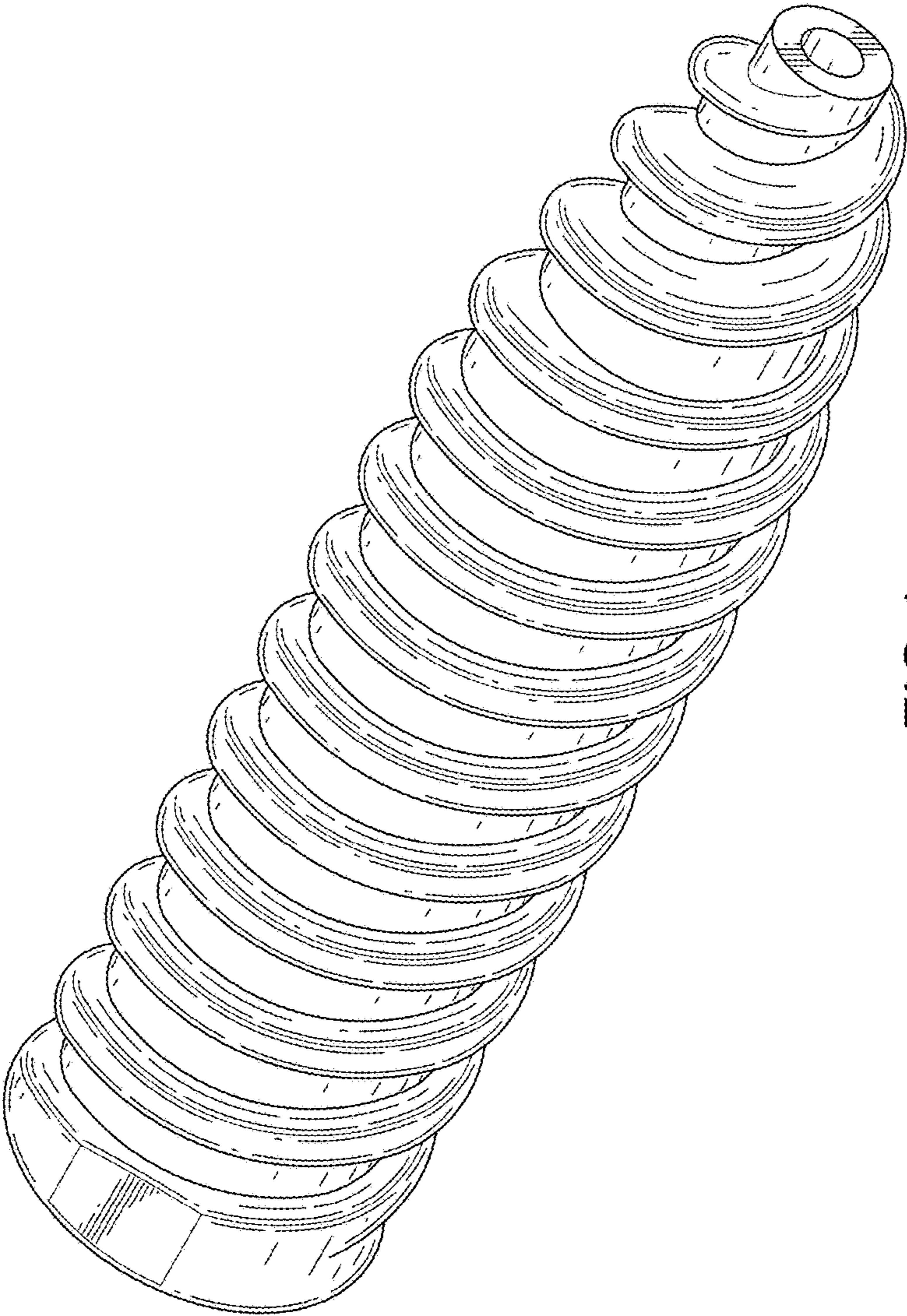


FIG.1

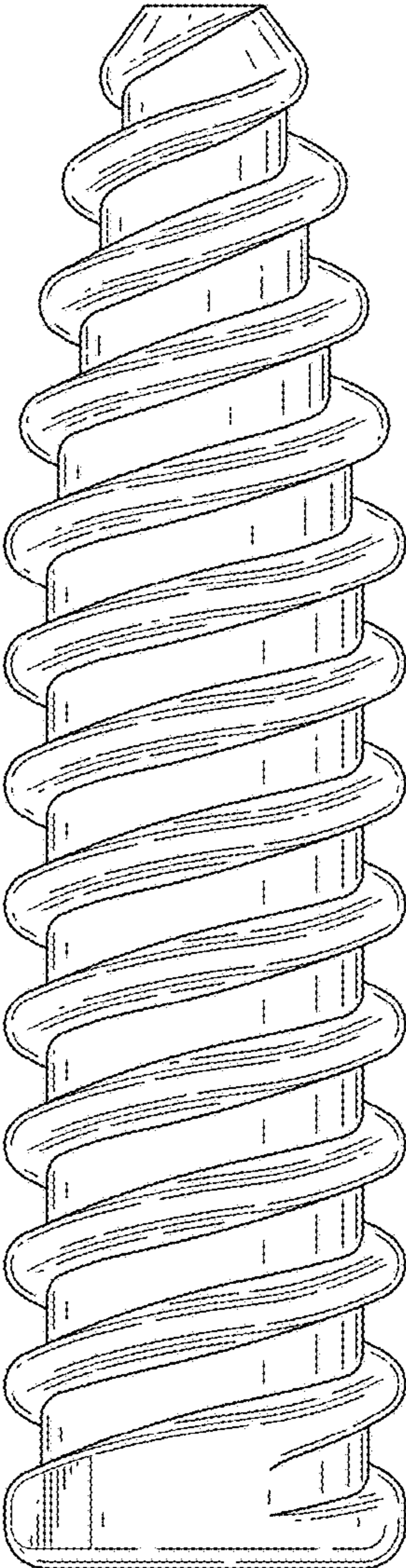


FIG.2

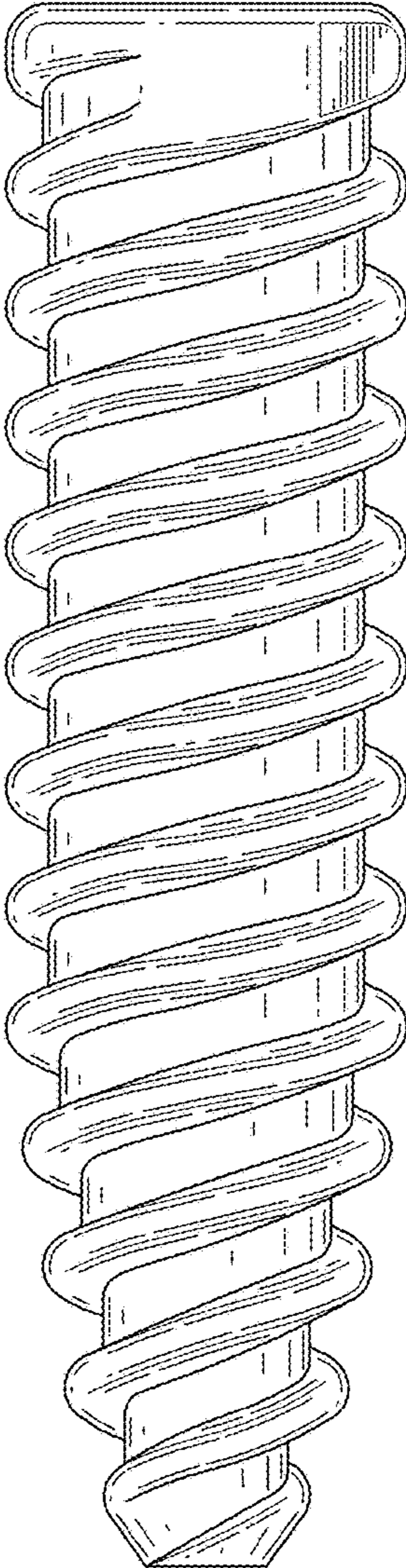


FIG.3

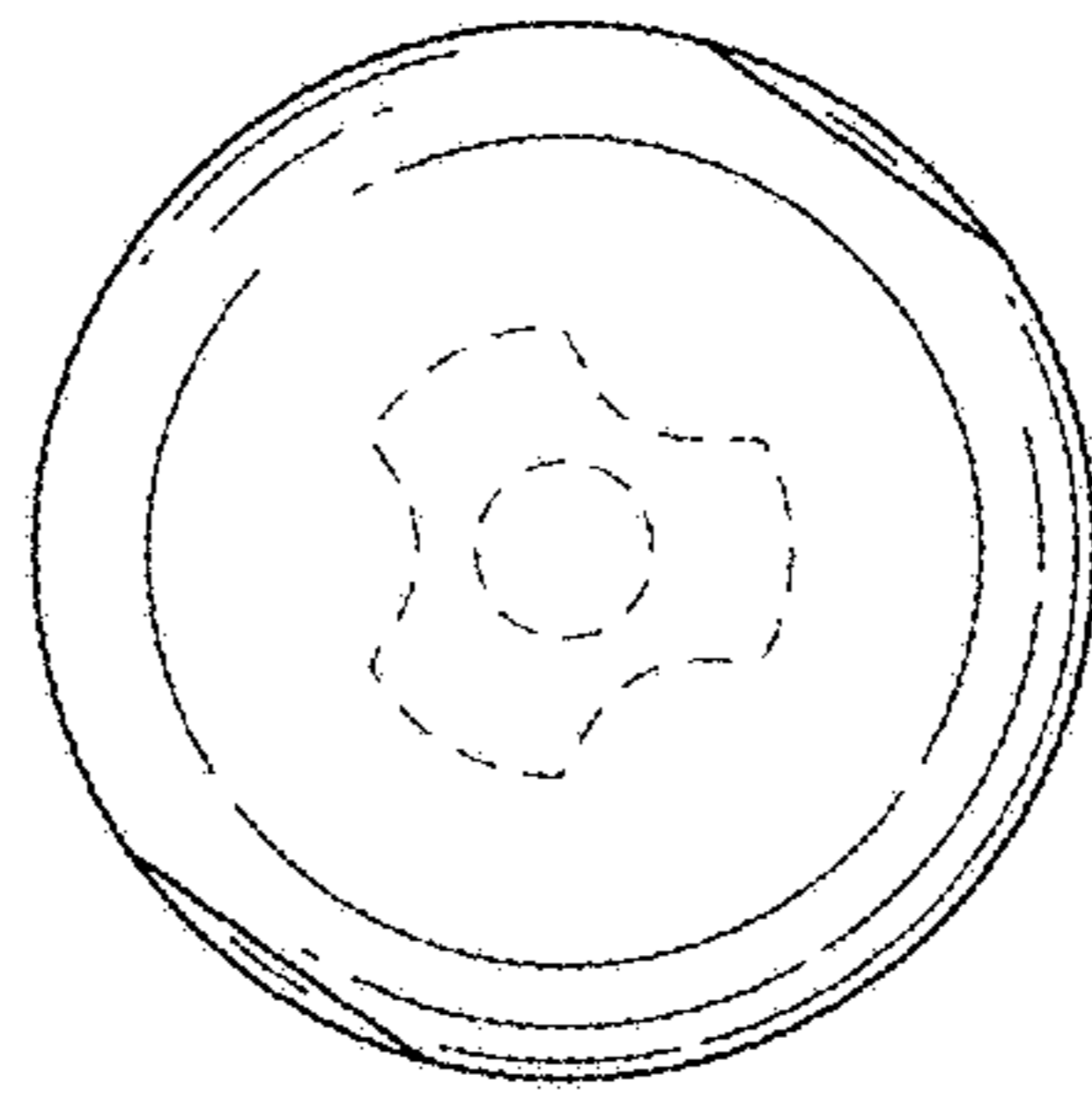


FIG. 4

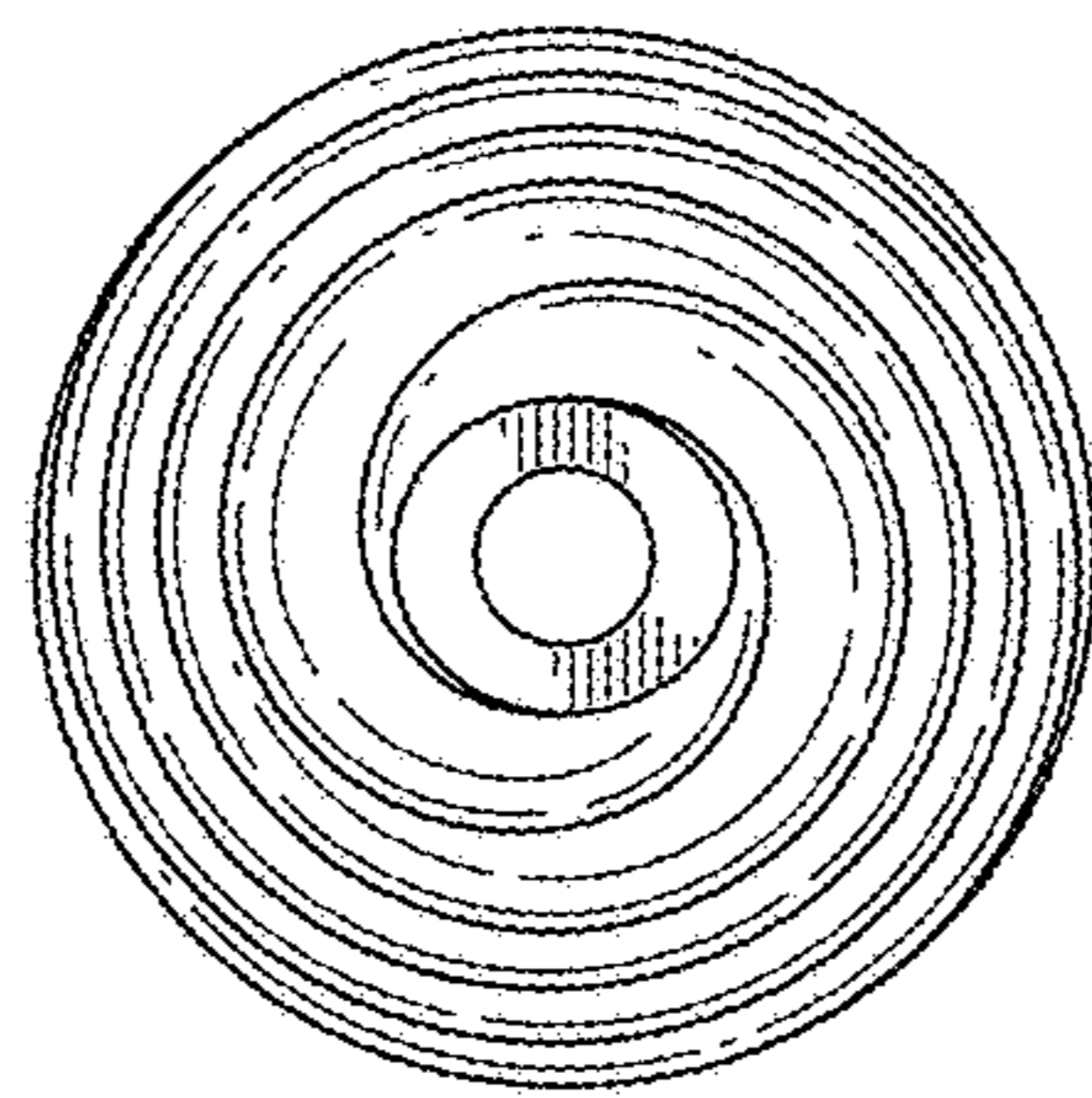


FIG. 5

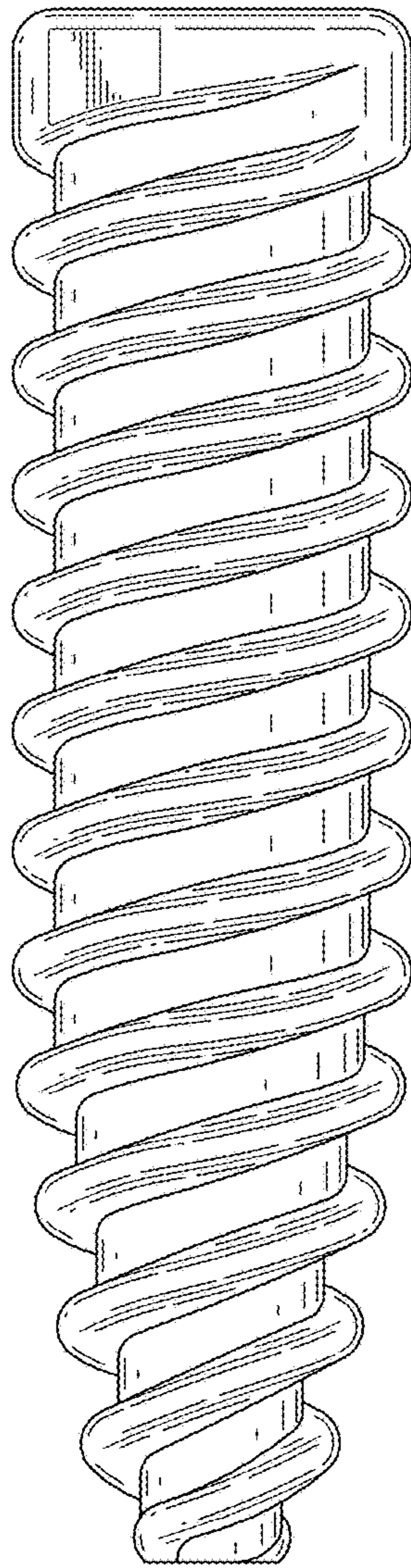


FIG.6

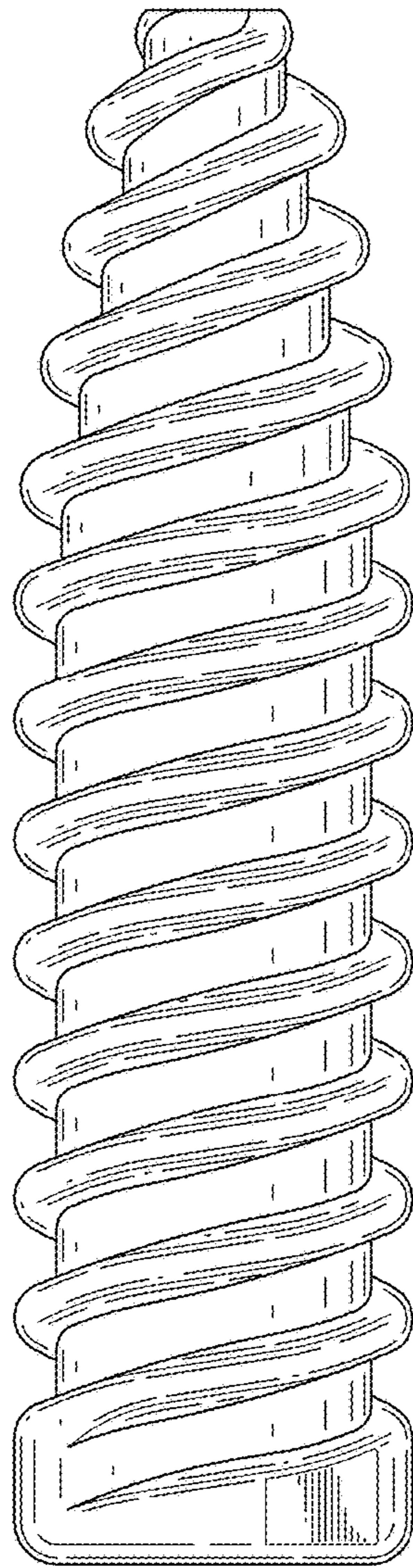


FIG.7