

US00D868966S

(12) **United States Design Patent**
Jamison

(10) **Patent No.:** **US D868,966 S**

(45) **Date of Patent:** **** Dec. 3, 2019**

(54) **DENTAL DRILL DEPTH GAUGE**

D847,336 S * 4/2019 Asfora D24/140

* cited by examiner

(71) Applicant: **GRS Guide System, Inc.**, Beverly Hills, CA (US)

Primary Examiner — Bridget L Eland

(72) Inventor: **Mark Bennett Jamison**, Los Angeles, CA (US)

(74) *Attorney, Agent, or Firm* — Proskauer Rose LLP

(73) Assignee: **GRS Guide System, Inc.**, Beverly Hills, CA (US)

(57) **CLAIM**

The ornamental design for a dental drill depth gauge, substantially as shown and described.

(**) Term: **15 Years**

DESCRIPTION

(21) Appl. No.: **29/646,790**

FIG. 1 is a perspective view of a dental drill depth gauge, showing my new design.

(22) Filed: **May 7, 2018**

FIG. 2 is another perspective view of the dental drill depth gauge of FIG. 1;

(51) **LOC (12) Cl.** **24-02**

FIG. 3 is a front view of the dental drill depth gauge of FIG. 1;

(52) **U.S. Cl.**

FIG. 4 is a rear view of the dental drill depth gauge of FIG. 1;

USPC **D24/140**

(58) **Field of Classification Search**

FIG. 5 is a left side view of the dental drill depth gauge of FIG. 1;

USPC D24/140, 133, 152, 176, 181, 155, 156

FIG. 6 is a right side view of the dental drill depth gauge of FIG. 1;

CPC A61C 1/082; A61C 1/084; A61C 1/085;

FIG. 7 is a top view of the dental drill depth gauge of FIG. 1; and,

A61C 3/04; A61C 11/06

See application file for complete search history.

FIG. 8 is a bottom view of the dental drill depth gauge of FIG. 1.

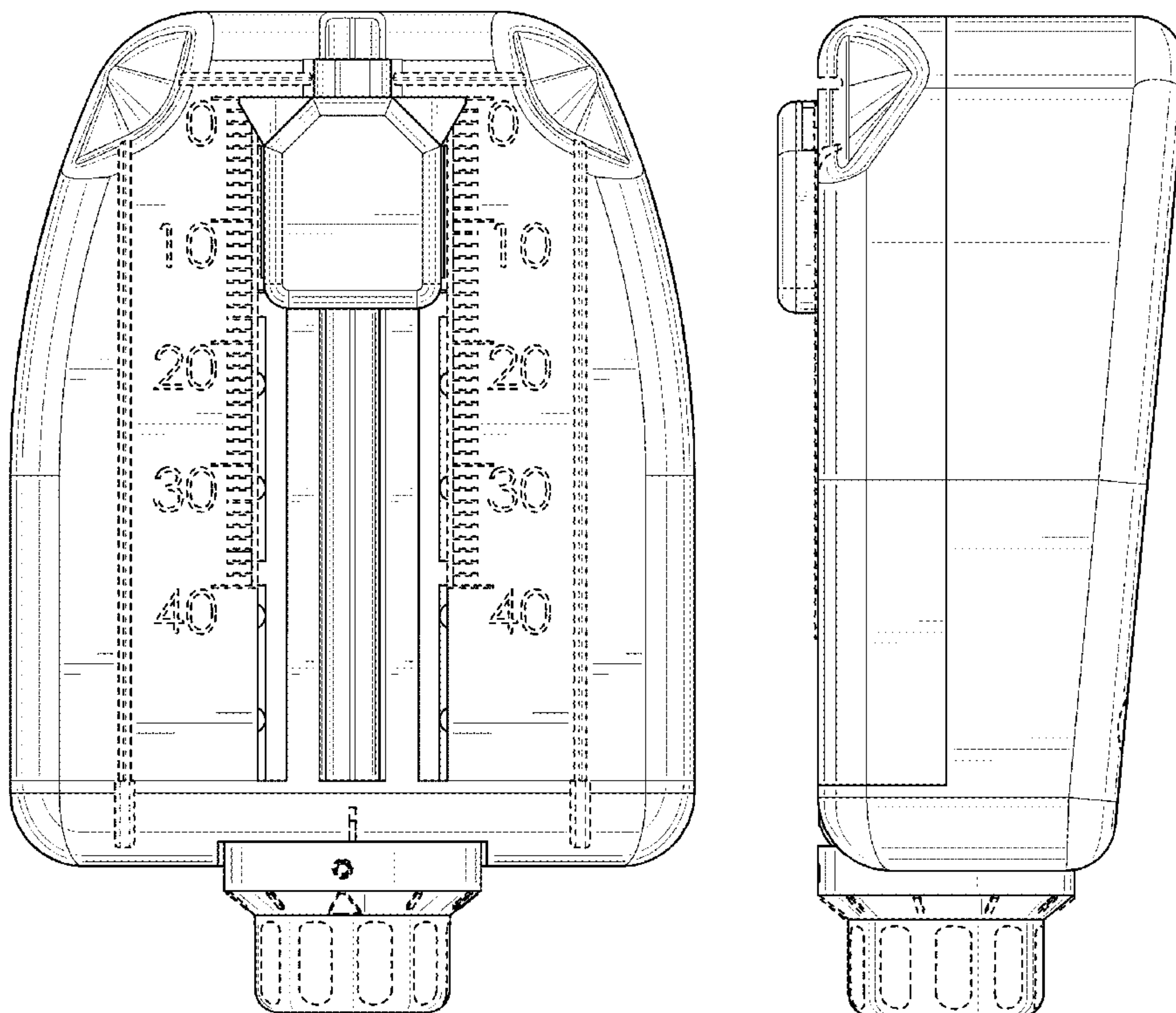
The outermost broken lines immediately adjacent the shaded areas represent the bounds of the claimed design while all other broken lines are directed to environment and are for illustrative purposes only; the broken lines form no part of the claimed design.

(56) **References Cited**

U.S. PATENT DOCUMENTS

D254,504 S	*	3/1980	Myers	D24/133
D594,130 S	*	6/2009	Scocimara	D24/133
D650,905 S	*	12/2011	Plascott	D24/140
D724,730 S	*	3/2015	Chaney	D24/140
D820,447 S	*	6/2018	Brimer	D24/140

1 Claim, 6 Drawing Sheets



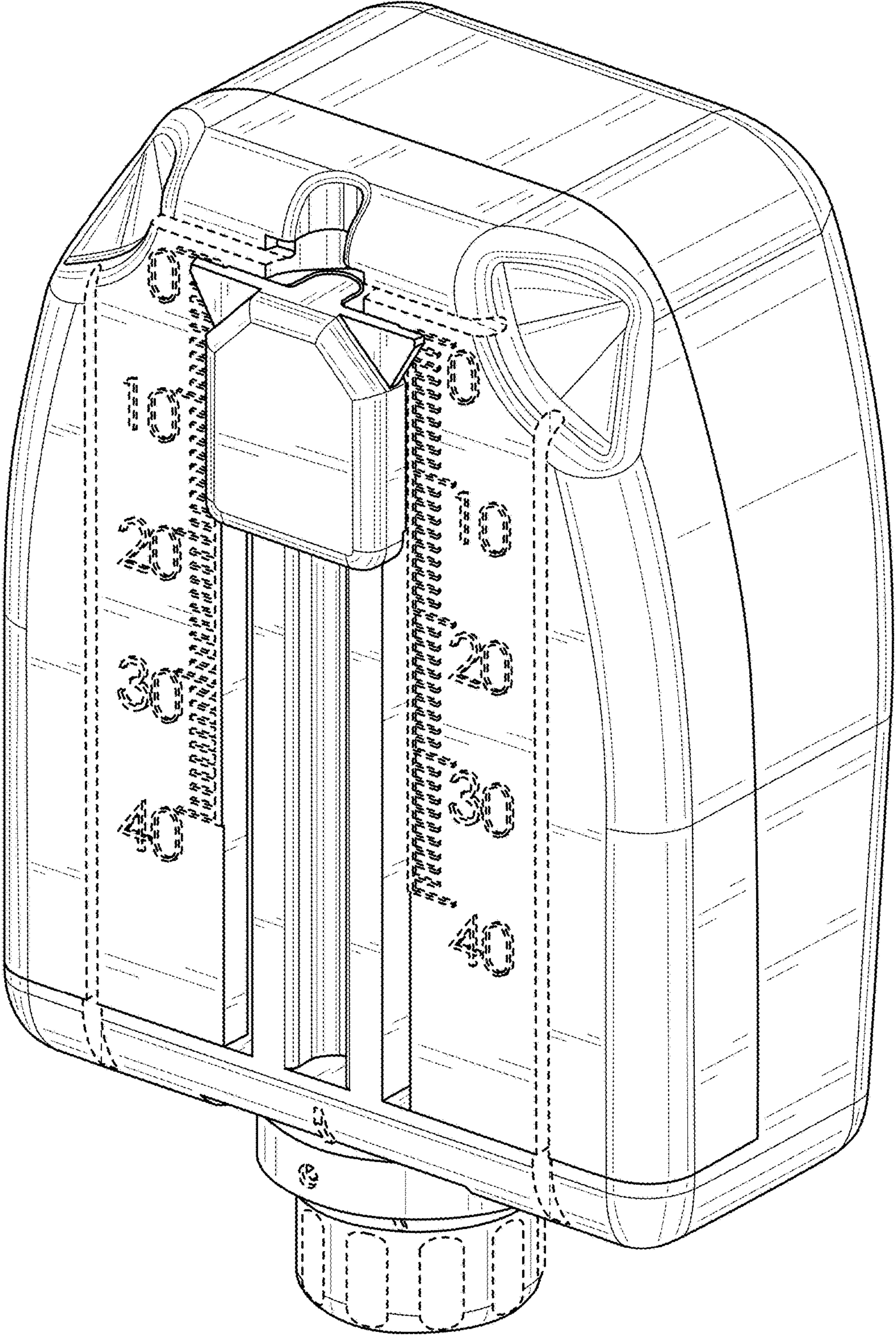


FIG. 1

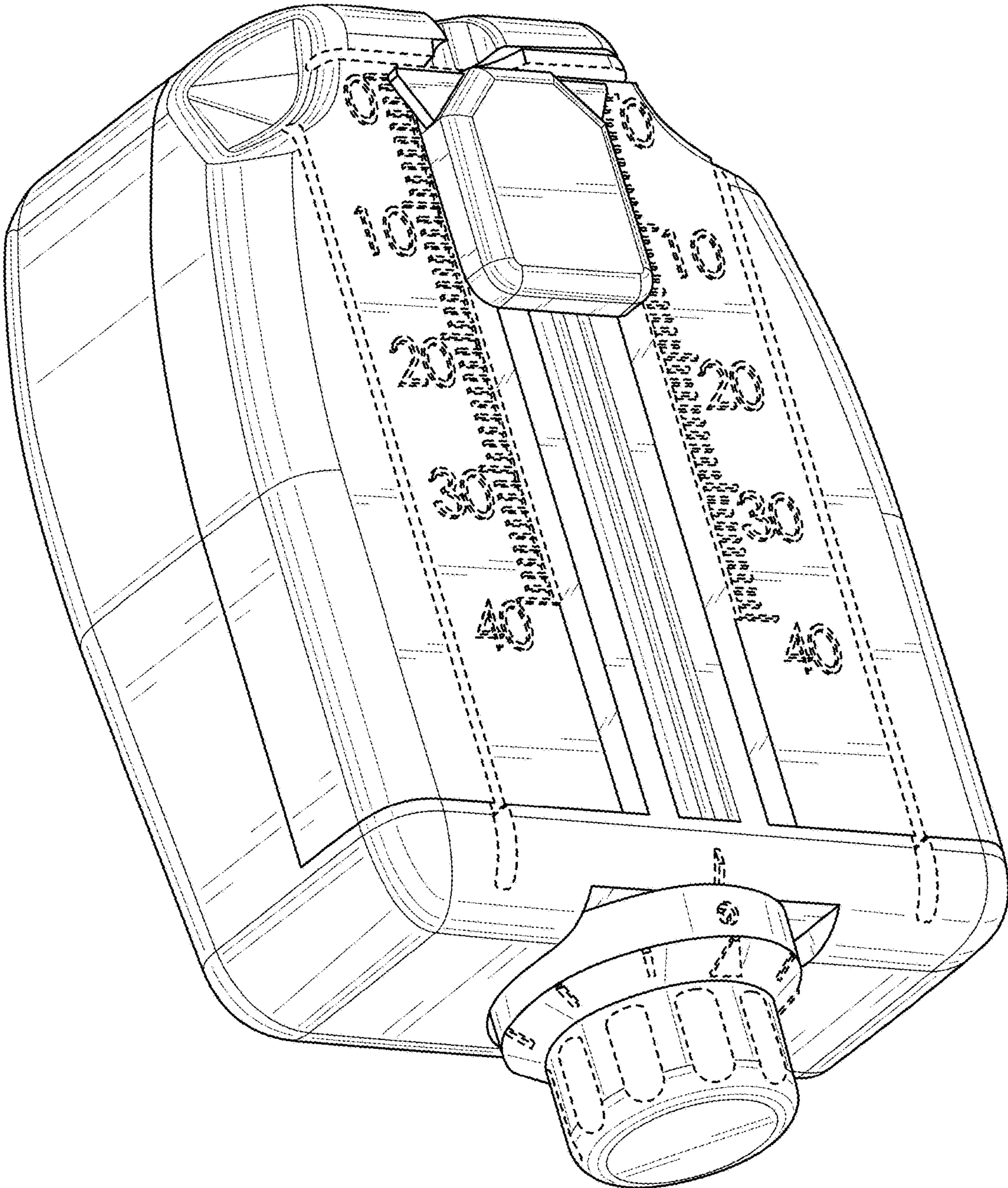


FIG. 2

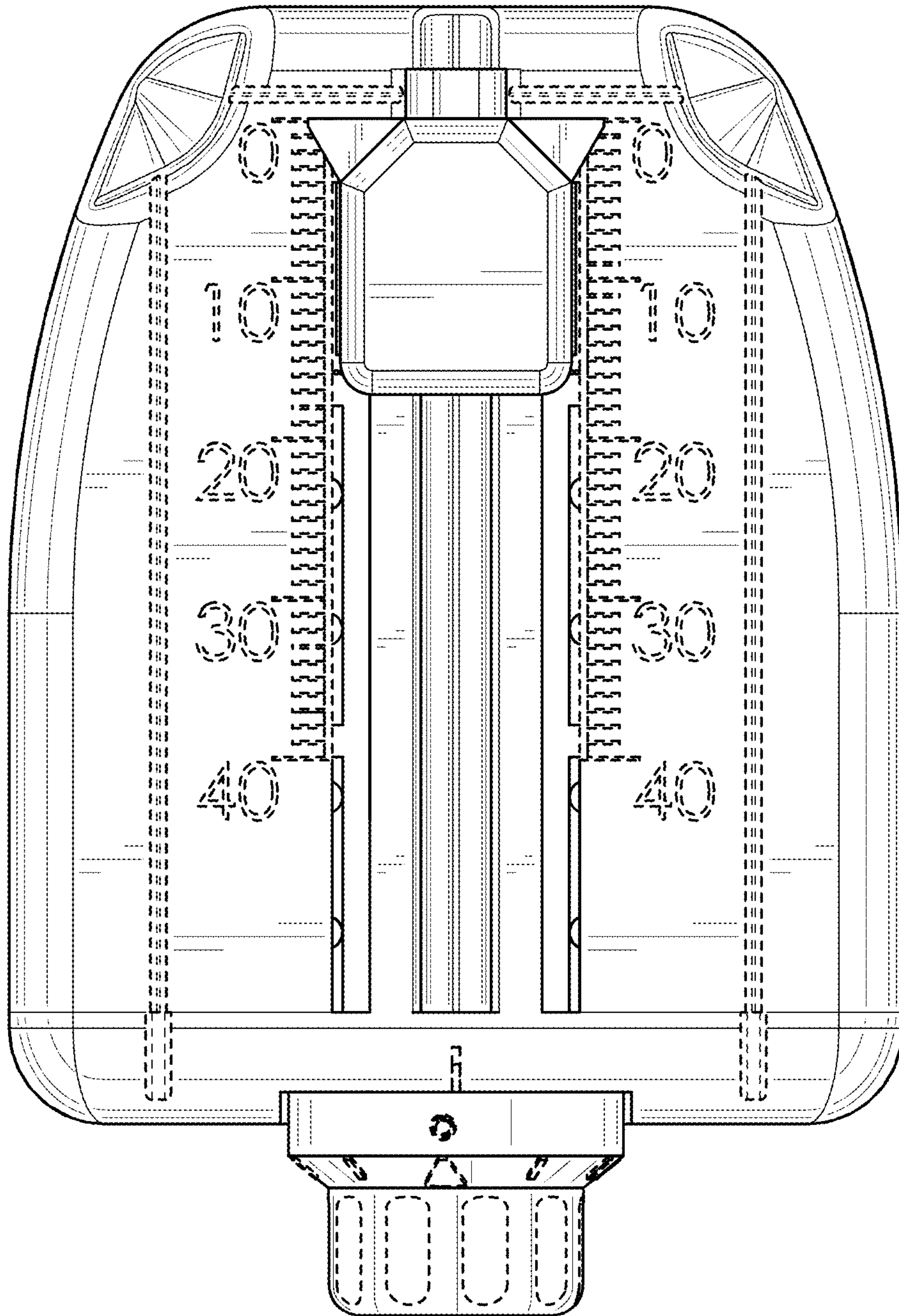


FIG. 3

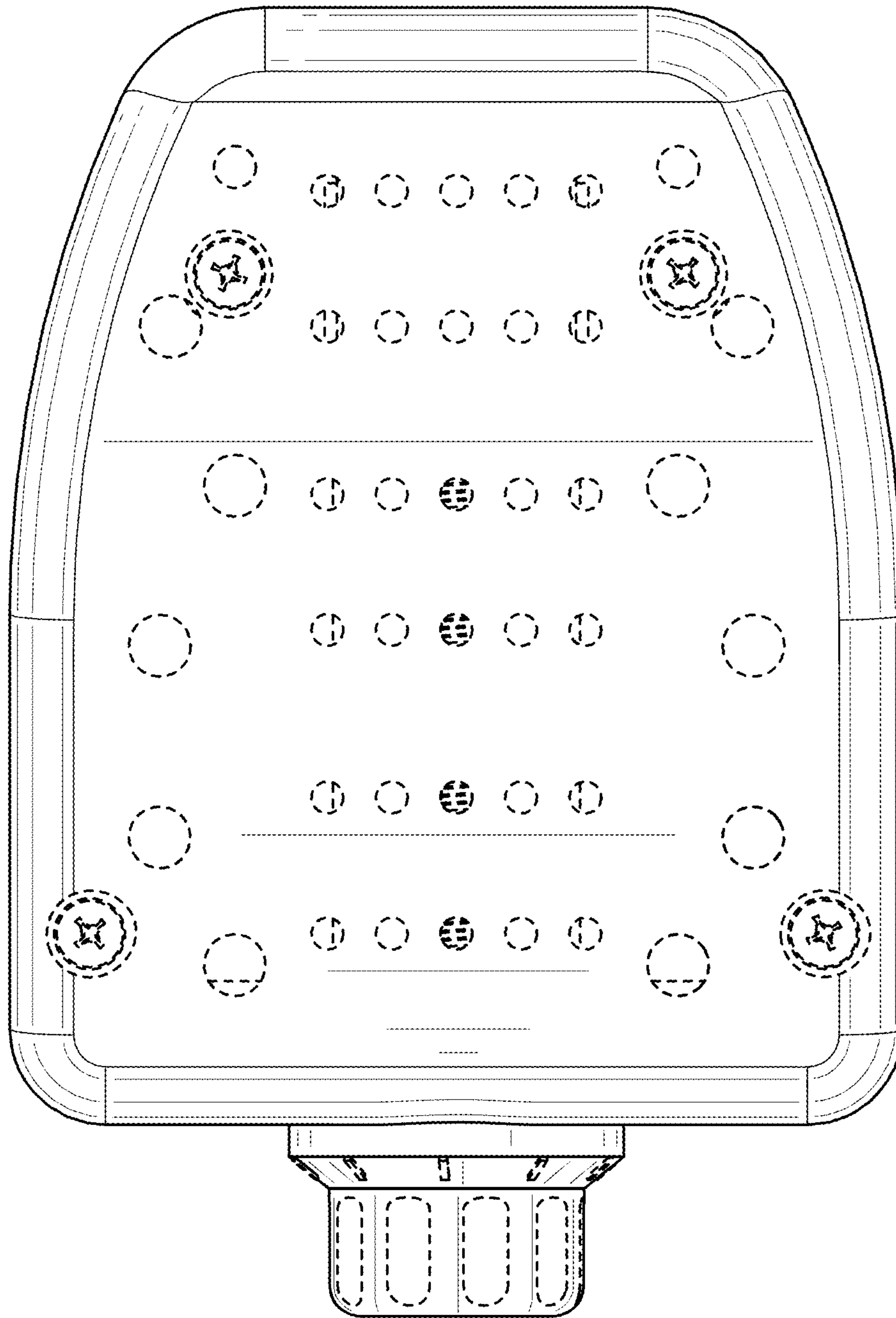


FIG. 4

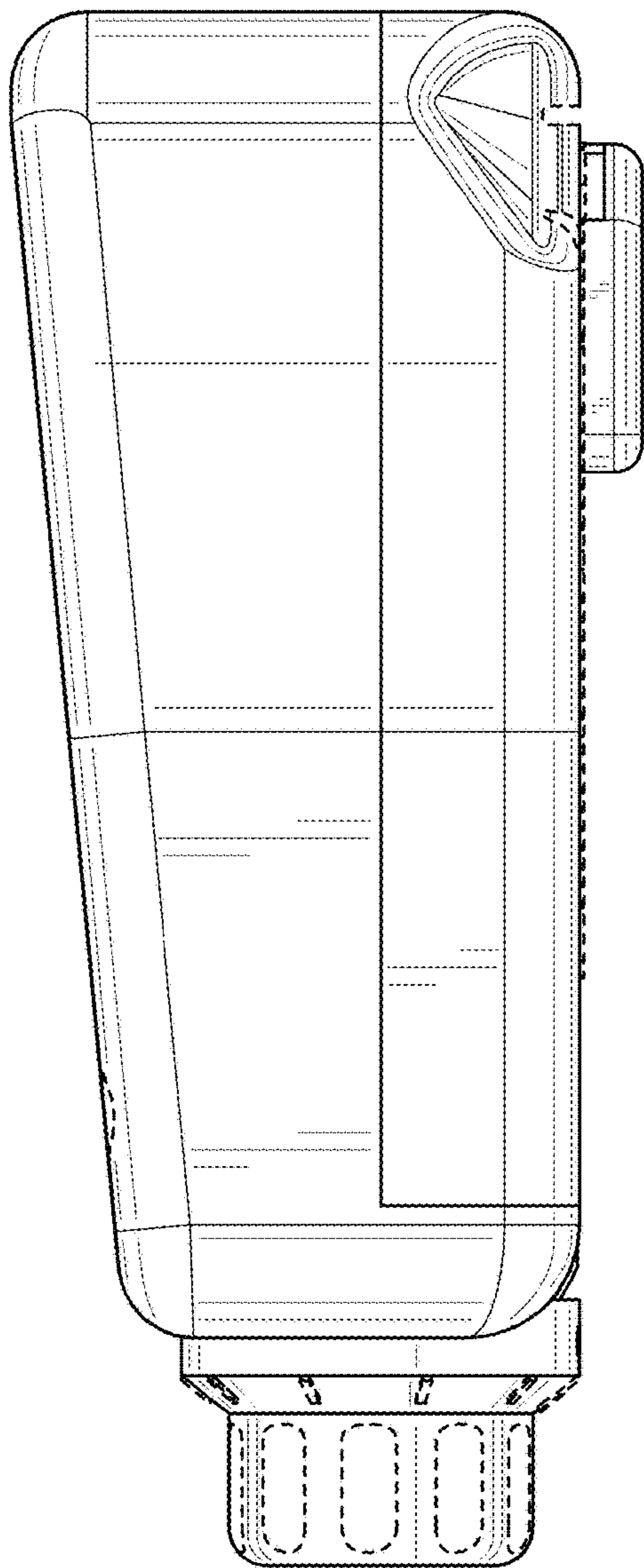


FIG. 5

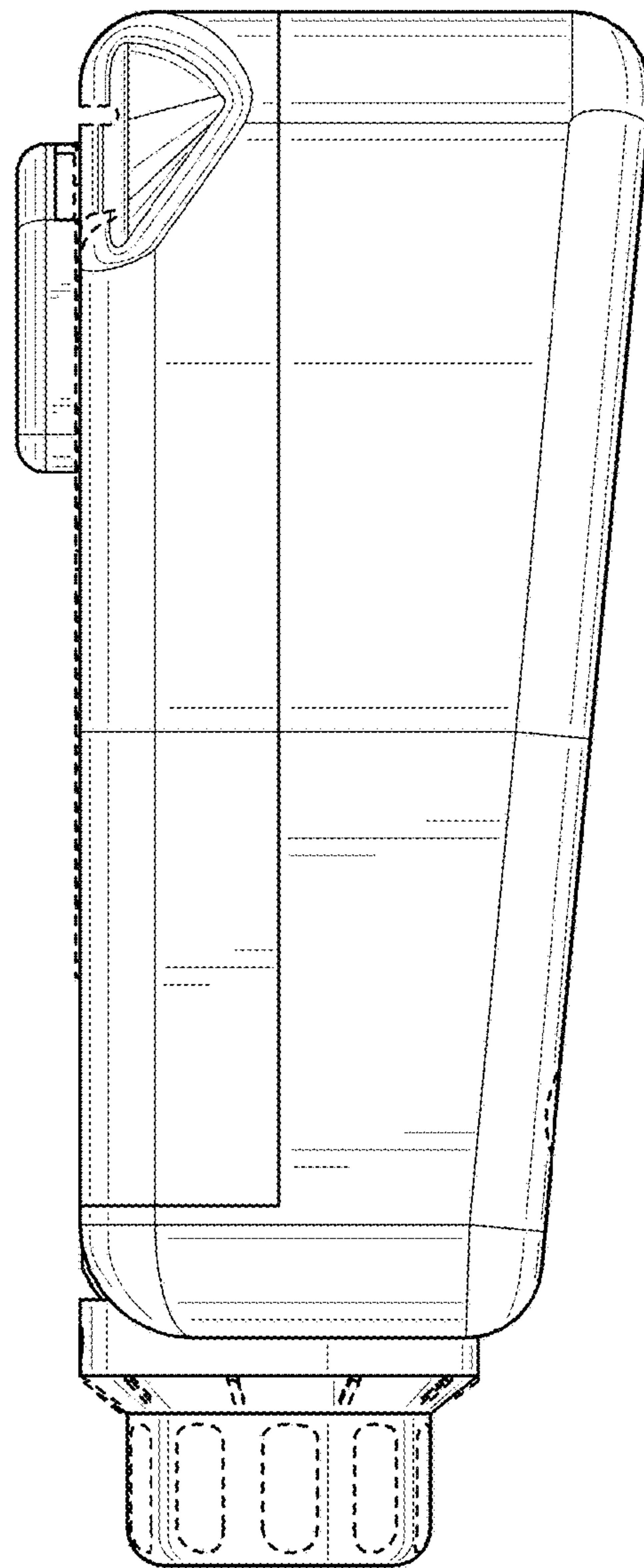


FIG. 6

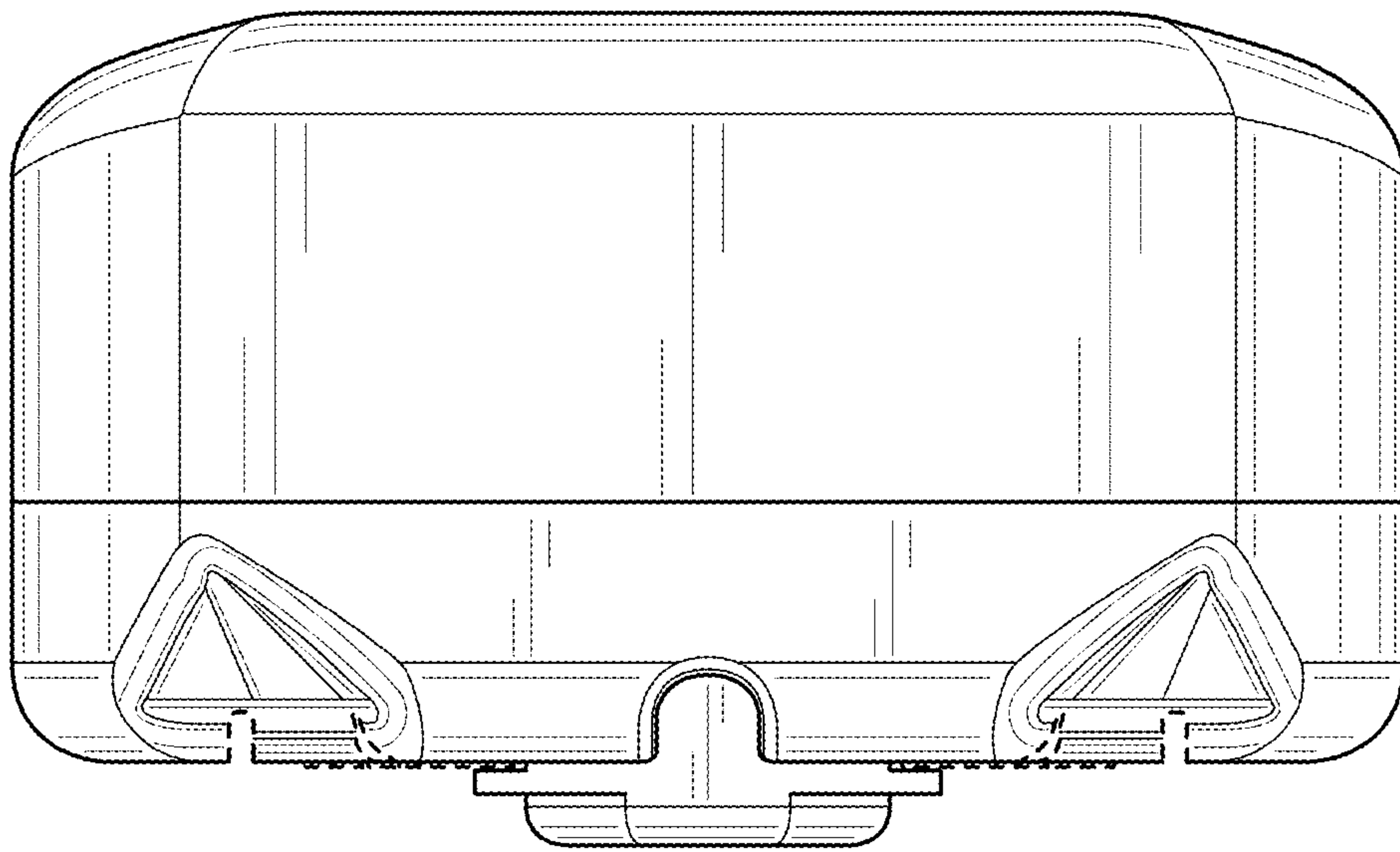


FIG. 7

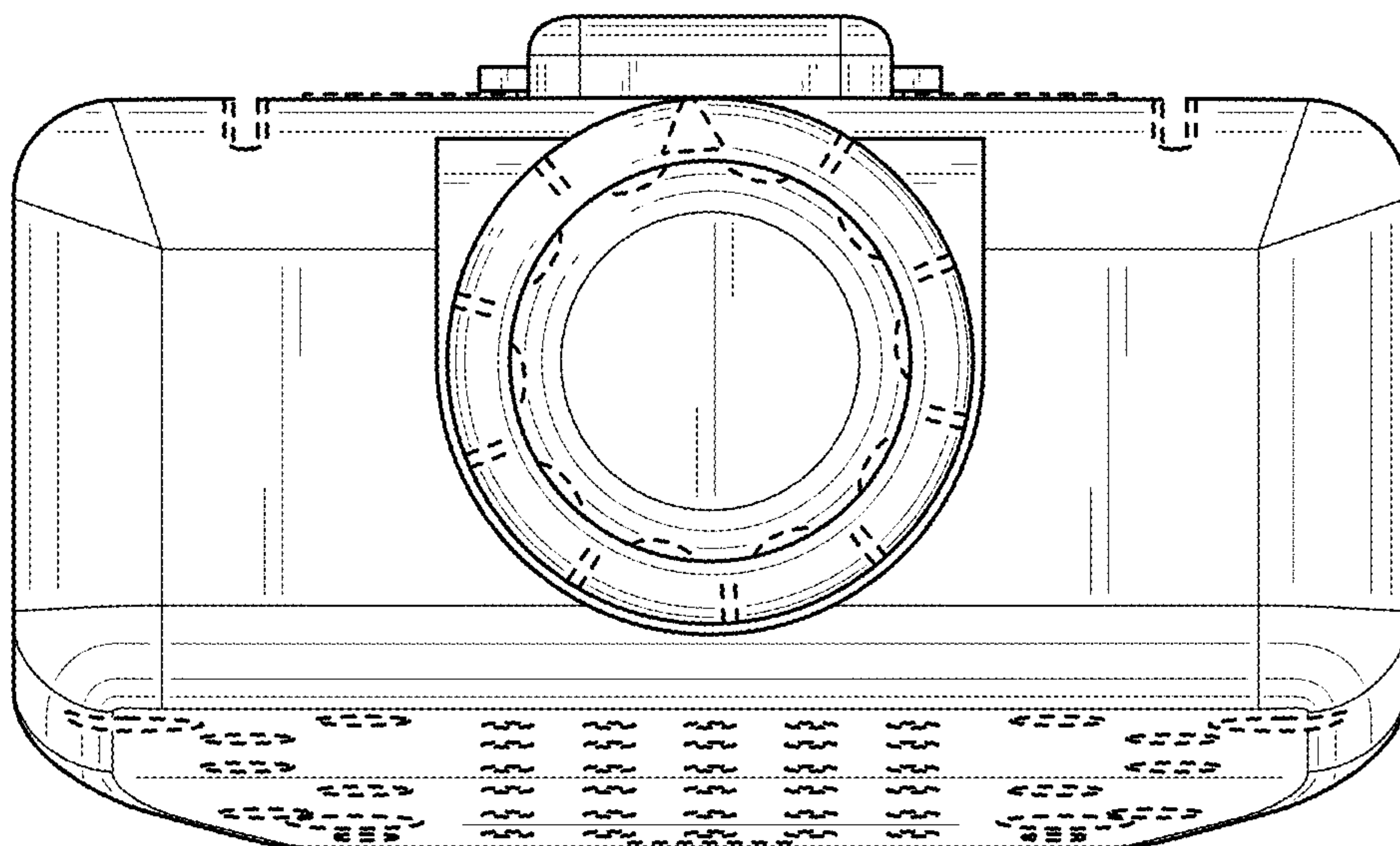


FIG. 8