



US00D868965S

(12) **United States Design Patent**
Jamison

(10) **Patent No.:** **US D868,965 S**

(45) **Date of Patent:** **** Dec. 3, 2019**

(54) **DENTAL DRILL GUIDE**

(71) Applicant: **GRS Guide System, Inc.**, Beverly Hills, CA (US)

(72) Inventor: **Mark Bennett Jamison**, Los Angeles, CA (US)

(73) Assignee: **GRS Guide System, Inc.**, Beverly Hills, CA (US)

(**) Term: **15 Years**

(21) Appl. No.: **29/646,788**

(22) Filed: **May 7, 2018**

Related U.S. Application Data

(63) Continuation of application No. 14/961,457, filed on Dec. 7, 2015, now Pat. No. 9,987,101, which is a continuation of application No. 14/679,285, filed on Apr. 6, 2015, now Pat. No. 9,211,165, which is a continuation-in-part of application No. 14/255,654, filed on Apr. 17, 2014, now Pat. No. 9,113,982.

(51) **LOC (12) Cl.** **24-02**

(52) **U.S. Cl.**
USPC **D24/140**

(58) **Field of Classification Search**
USPC D24/140, 133, 152, 176, 181, 155, 156
CPC A61C 1/082; A61C 1/084; A61C 1/085;
A61C 3/04; A61C 11/06
See application file for complete search history.

(56) **References Cited**

U.S. PATENT DOCUMENTS

D292,021 S * 9/1987 Stoll D24/140
D350,395 S * 9/1994 Håkansson D24/145

D353,674 S * 12/1994 Jorneus D24/156
D428,653 S * 7/2000 Bergstrom D24/156
D627,461 S * 11/2010 Cantu D24/140
D729,389 S * 5/2015 Hart D24/156
9,113,982 B1 * 8/2015 Jamison A61C 1/084
9,211,165 B2 * 12/2015 Jamison A61C 1/084
9,987,101 B2 * 6/2018 Jamison A61C 1/084
2007/0051375 A1 * 3/2007 Milliman A61B 17/3423
128/856
2015/0265373 A1 * 9/2015 Jamison A61C 1/084
433/173
2016/0310232 A1 * 10/2016 Jamison A61C 1/084
2018/0250097 A1 * 9/2018 Jamison A61C 1/084

* cited by examiner

Primary Examiner — Bridget L Eland

(74) *Attorney, Agent, or Firm* — Proskauer Rose LLP

(57) **CLAIM**

The ornamental design for a dental drill guide, substantially as shown and described.

DESCRIPTION

FIG. 1 is a perspective view of a dental drill guide showing my new design;

FIG. 2 is a front view thereof, the rear view thereof being a mirror image;

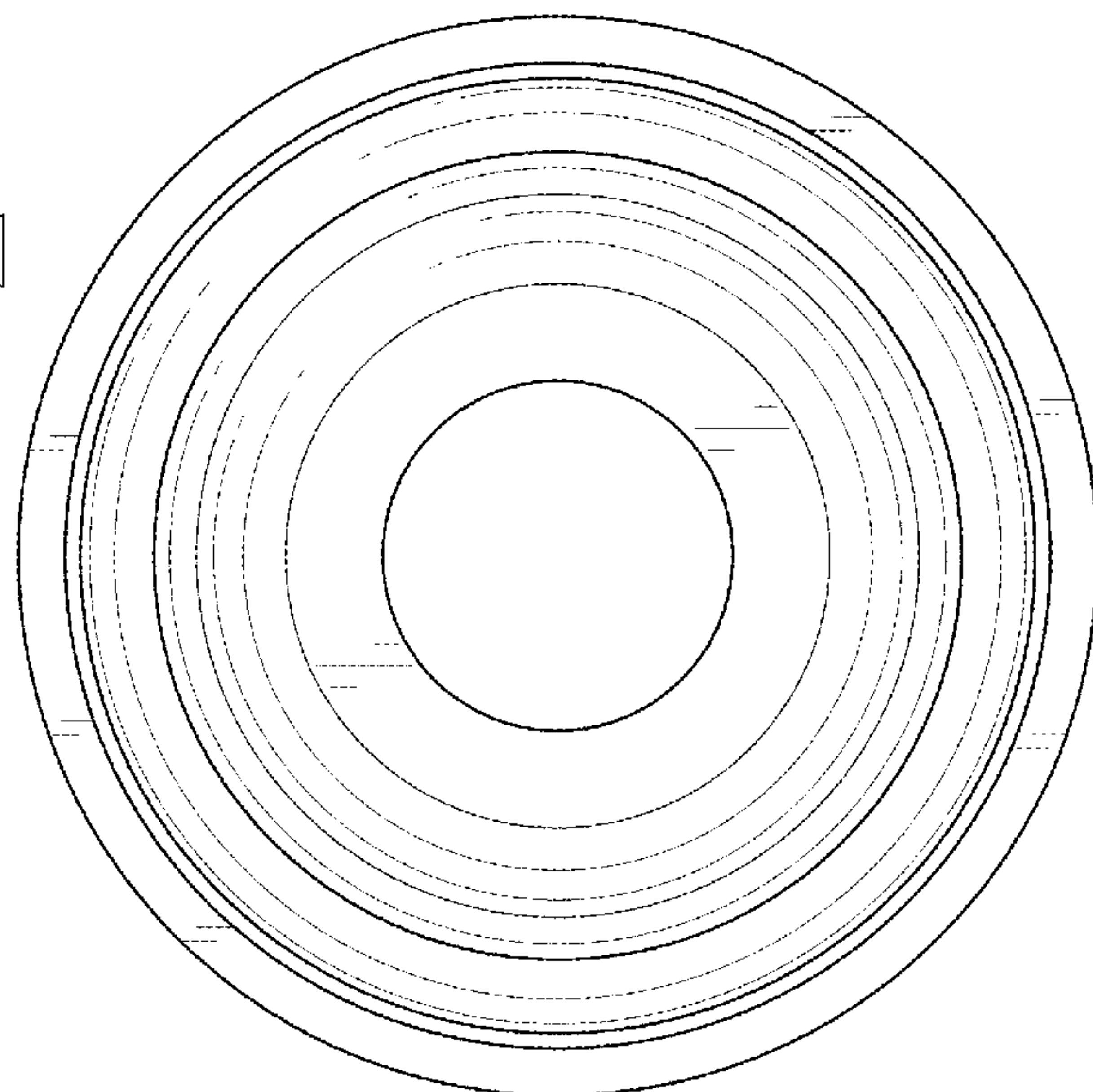
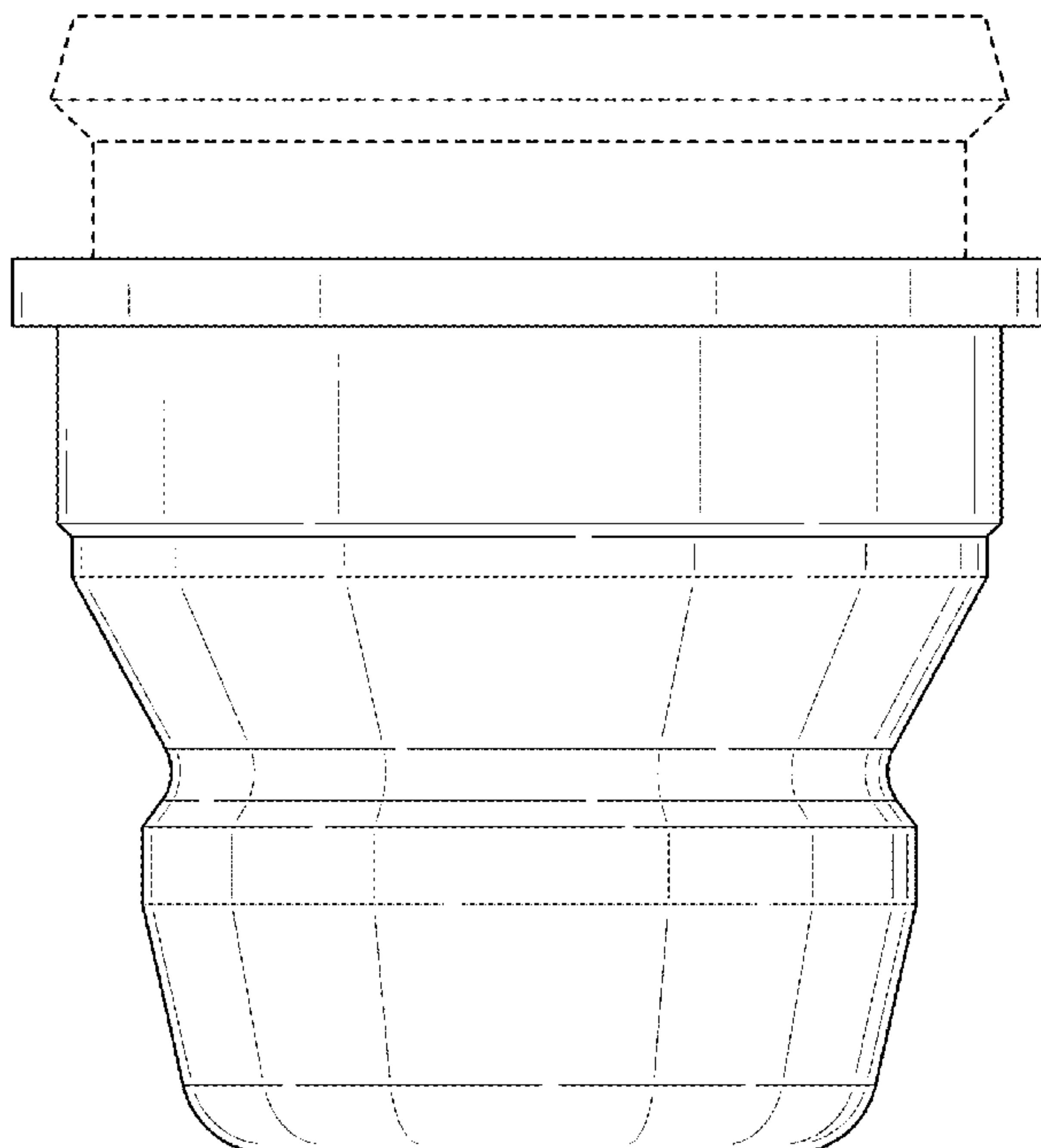
FIG. 3 is a right side view thereof, the left side view thereof being a mirror image;

FIG. 4 is a top view thereof; and,

FIG. 5 is a bottom view thereof.

The broken lines immediately adjacent the shaded areas represent the bounds of the claimed design while all other broken lines are directed to environment and are for illustrative purposes only; the broken lines form no part of the claimed design.

1 Claim, 5 Drawing Sheets



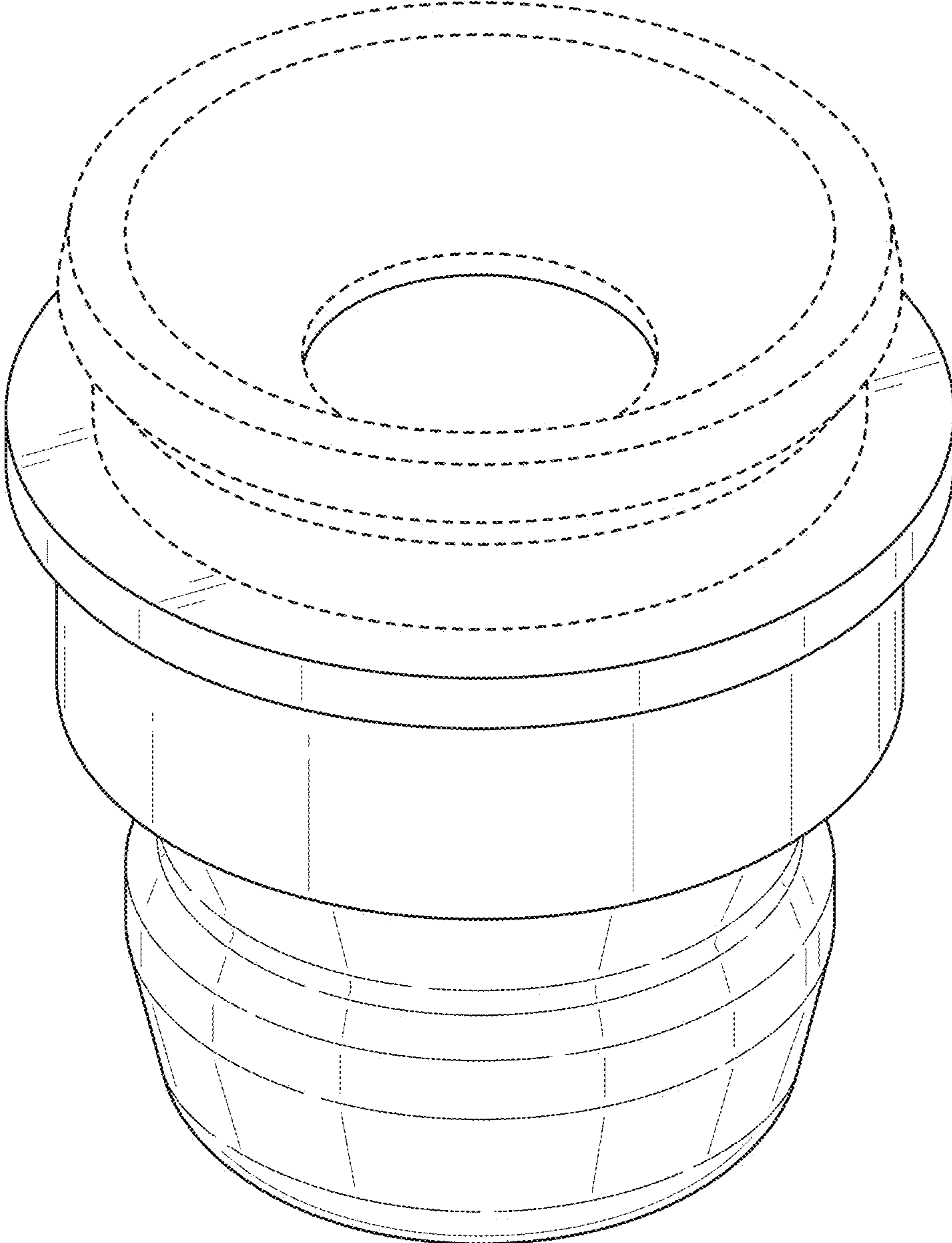


FIG. 1

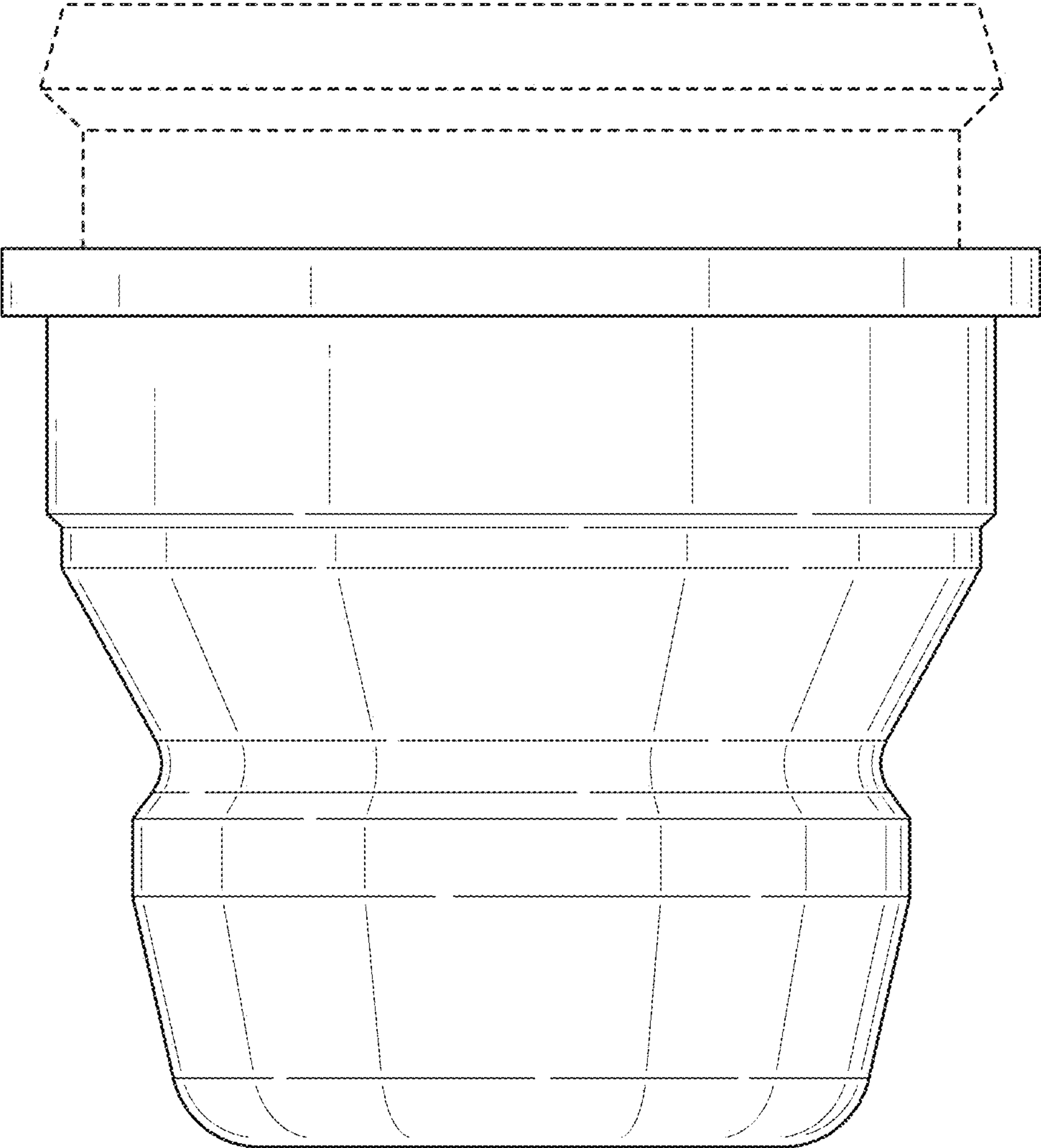


FIG. 2

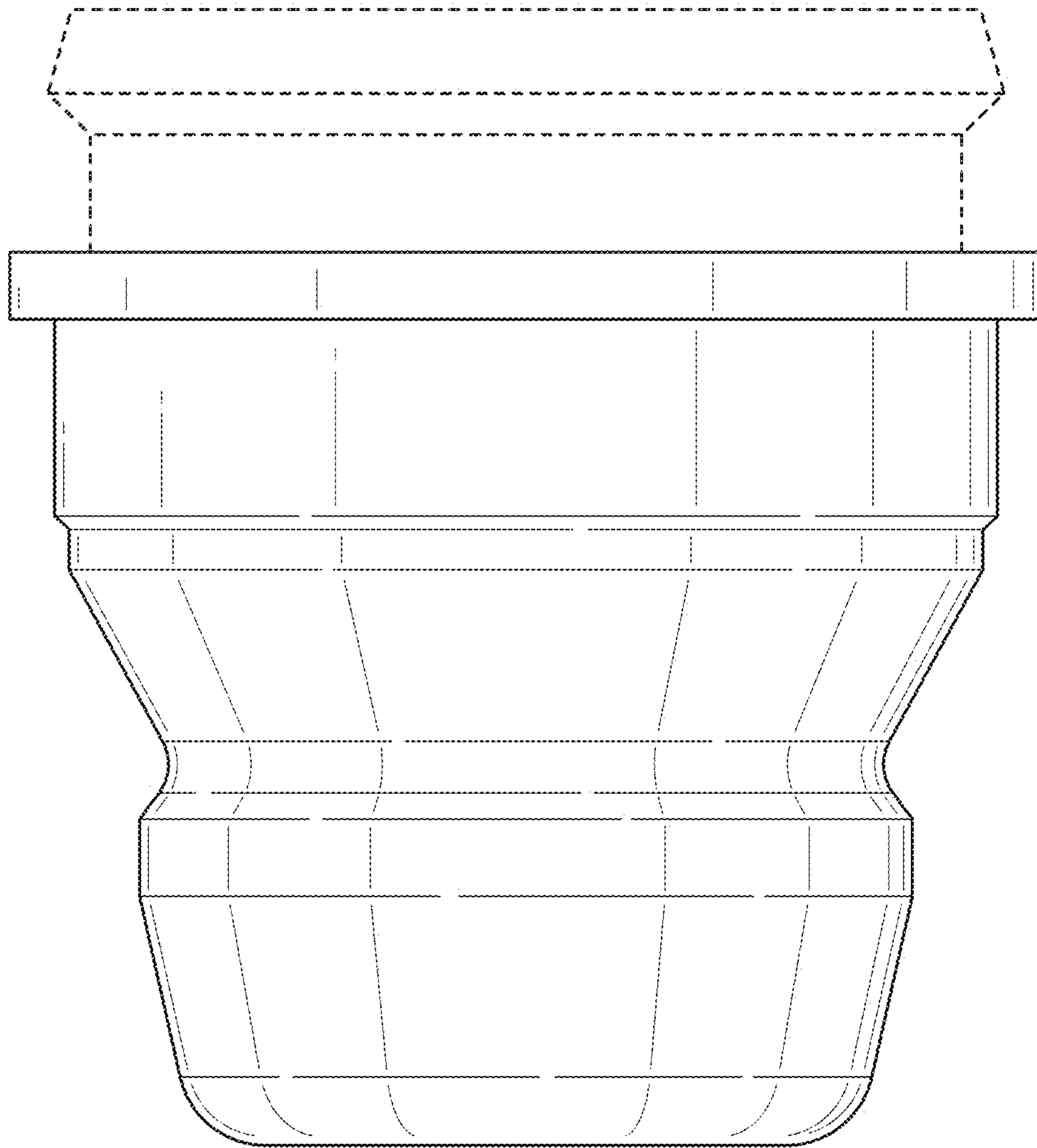


FIG. 3

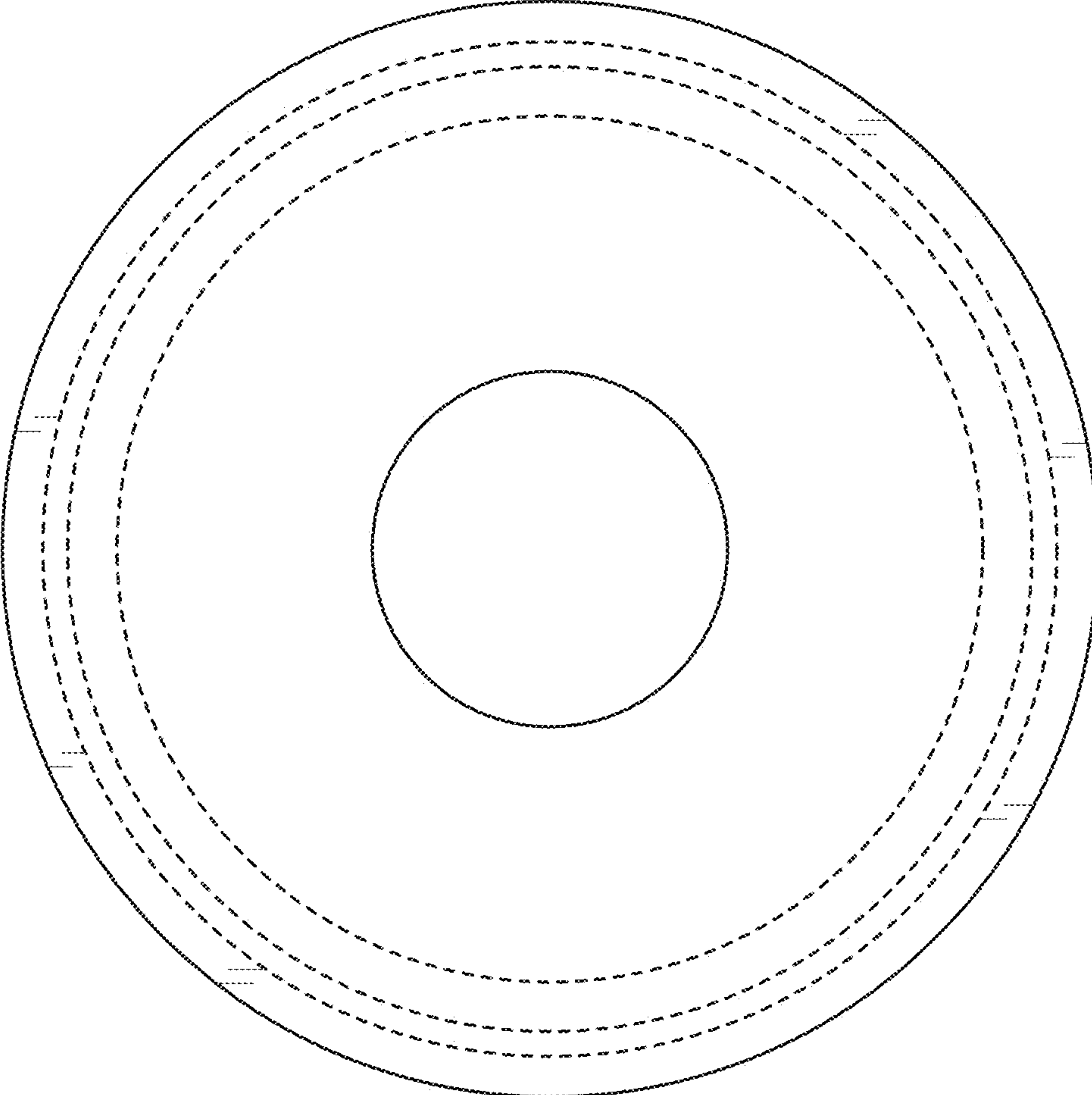


FIG. 4

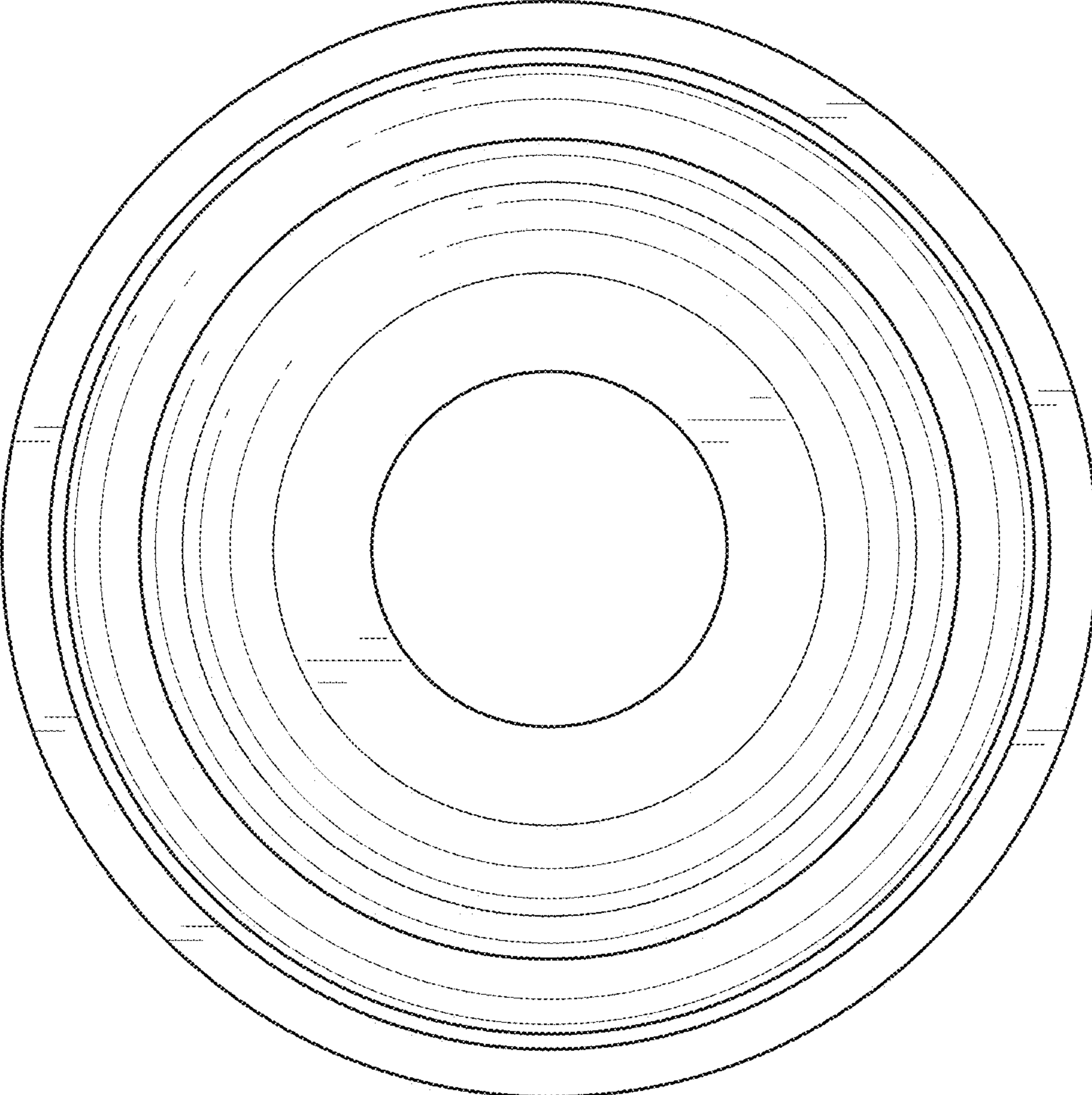


FIG. 5