



US00D868964S

(12) **United States Design Patent**
Huels et al.

(10) **Patent No.:** **US D868,964 S**

(45) **Date of Patent:** **** *Dec. 3, 2019**

(54) **VIDEO LARYNGOSCOPE**

(71) Applicant: **KARL STORZ GmbH & Co. KG,**
Tuttlingen (DE)

(72) Inventors: **Dieter Huels,** Stockach (DE); **Christian Huber,** Schaffhausen (CH); **Fabian Zimmerli,** Zurich (CH); **Ulrich Merz,** Tuttlingen (DE); **Eugenia Fuhr,** Tuttlingen (DE)

(73) Assignee: **KARL STORZ SE & Co. KG,**
Tuttlingen (DE)

(*) Notice: This patent is subject to a terminal disclaimer.

(**) Term: **15 Years**

(21) Appl. No.: **29/584,298**

(22) Filed: **Nov. 14, 2016**

(30) **Foreign Application Priority Data**

May 13, 2016 (EM) 003126416-0005

(51) **LOC (12) Cl.** **24-02**

(52) **U.S. Cl.**
USPC **D24/137**

(58) **Field of Classification Search**
USPC D24/108, 117, 133, 135, 137, 138, 141,
D24/222; 600/131, 132, 145-147, 185,
600/188, 197

CPC G06F 3/147; A61B 1/00016; A61B 1/00;
A61B 1/00052; A61B 1/267; A61B
1/00066

See application file for complete search history.

(56) **References Cited**

U.S. PATENT DOCUMENTS

D631,158 S 1/2011 Doerges
D664,653 S 7/2012 Doerges

D724,208 S * 3/2015 Miller D24/137
D738,501 S * 9/2015 Renner D24/146
D739,017 S * 9/2015 Renner D24/146
D742,512 S 11/2015 Pilz et al.
D745,669 S * 12/2015 Swift D24/137
D746,451 S * 12/2015 Chen D24/137

(Continued)

FOREIGN PATENT DOCUMENTS

DE 3127645 A1 * 2/2017 B23K 26/21
GB 3087906 A1 * 11/2016 A61B 1/00016

OTHER PUBLICATIONS

U.S. Appl. No. 29/545,156, filed Nov. 10, 2015, Fuhr et al.

Primary Examiner — Ian Simmons

Assistant Examiner — Yolanda Robinson

(74) *Attorney, Agent, or Firm* — Muncy, Geissler, Olds & Lowe, P.C.

(57) **CLAIM**

The ornamental design for a video laryngoscope, as shown and described.

DESCRIPTION

FIG. 1 is a front right perspective view of a video laryngoscope according to the present invention.

FIG. 2 is a front view of the video laryngoscope of FIG. 1. FIG. 3 is a top rear perspective view of the video laryngoscope of FIG. 1.

FIG. 4 is a right side view of the video laryngoscope of FIG. 1.

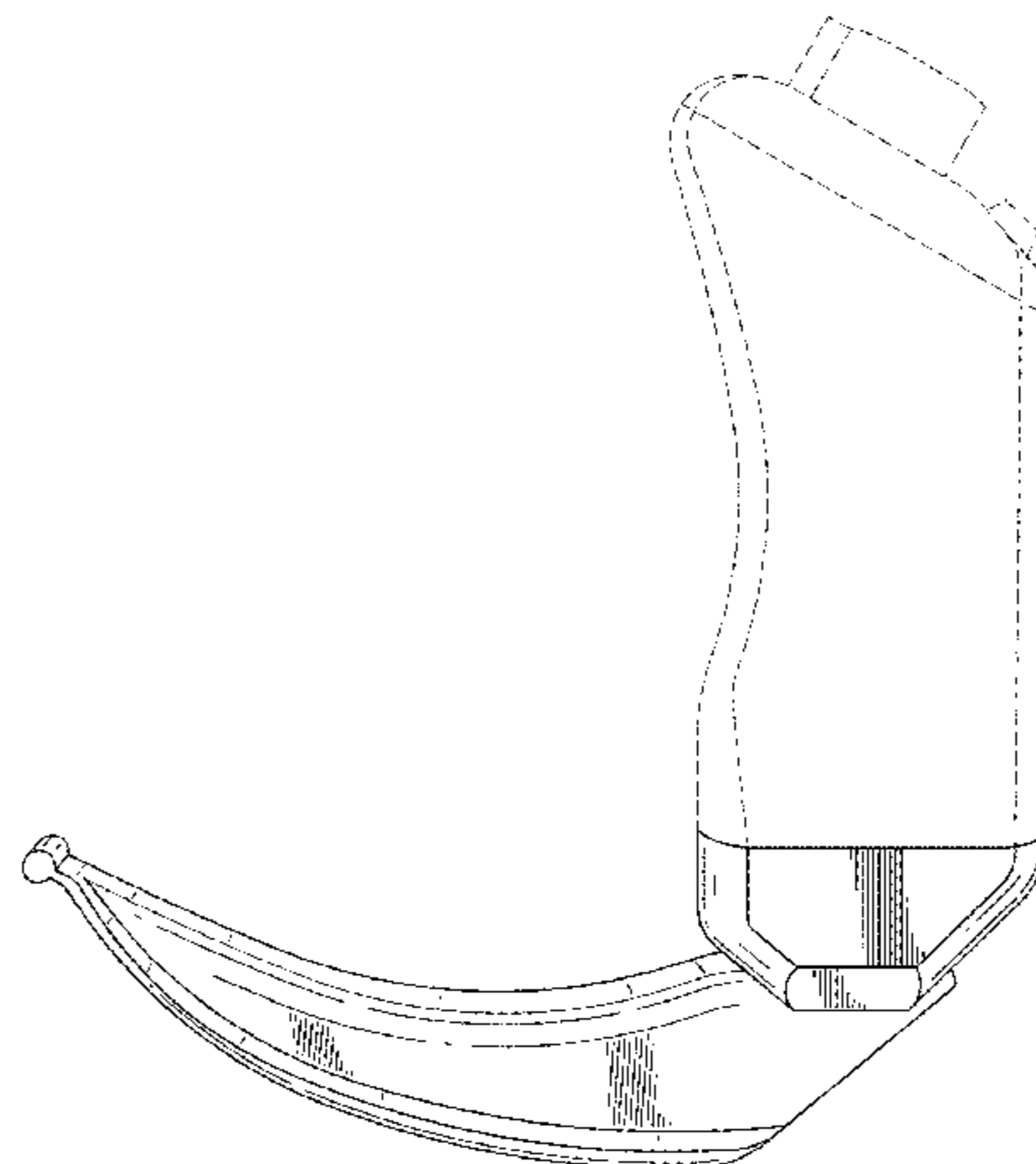
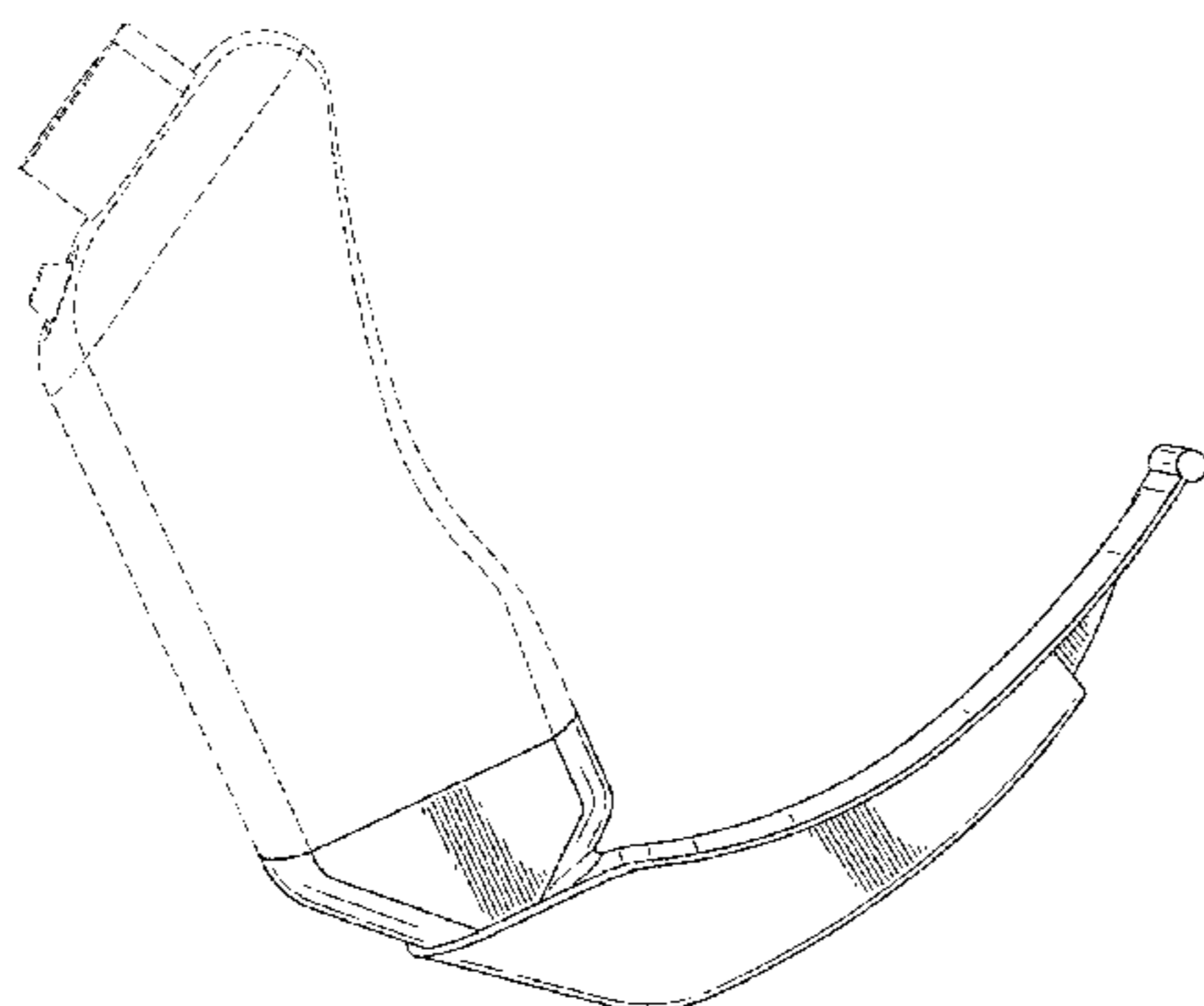
FIG. 5 is a left side view of the video laryngoscope of FIG. 1.

FIG. 6 is a top front perspective view of the video laryngoscope of FIG. 1; and,

FIG. 7 is a rear bottom perspective view of the video laryngoscope of FIG. 1.

The broken lines in the figures show portions of the video laryngoscope that form no part of the claimed design.

1 Claim, 7 Drawing Sheets



(56)

References Cited

U.S. PATENT DOCUMENTS

D748,255	S *	1/2016	McGrath	D24/137
D767,758	S *	9/2016	Pecherer	D24/138
D785,791	S *	5/2017	Strobel	D24/133
D788,831	S *	6/2017	Pilz	D10/46
D791,943	S *	7/2017	Cook	D24/135
D816,837	S *	5/2018	Fuhr	D24/137
2007/0167686	A1 *	7/2007	McGrath, Jr.	A61B 1/00016 600/188
2013/0190568	A1 *	7/2013	Hakanen	A61B 1/267 600/186
2016/0058277	A1 *	3/2016	Selcho	A61B 1/0005 600/188
2016/0095506	A1 *	4/2016	Dan	A61M 16/0488 600/188
2016/0120394	A1 *	5/2016	McGrath	A61B 1/00142 600/188
2016/0317010	A1 *	11/2016	McGrath	A61B 1/00052
2016/0345803	A1 *	12/2016	Mallory	A61B 1/00068
2016/0367126	A1 *	12/2016	McGrath, Jr.	A61B 1/00016
2017/0035269	A1 *	2/2017	Krause	B23K 26/21
2017/0105614	A1 *	4/2017	McWilliam	A61B 1/267
2017/0150878	A1 *	6/2017	Swift	A61B 1/00032
2017/0202447	A1 *	7/2017	Pecherer	A61B 1/00066

* cited by examiner

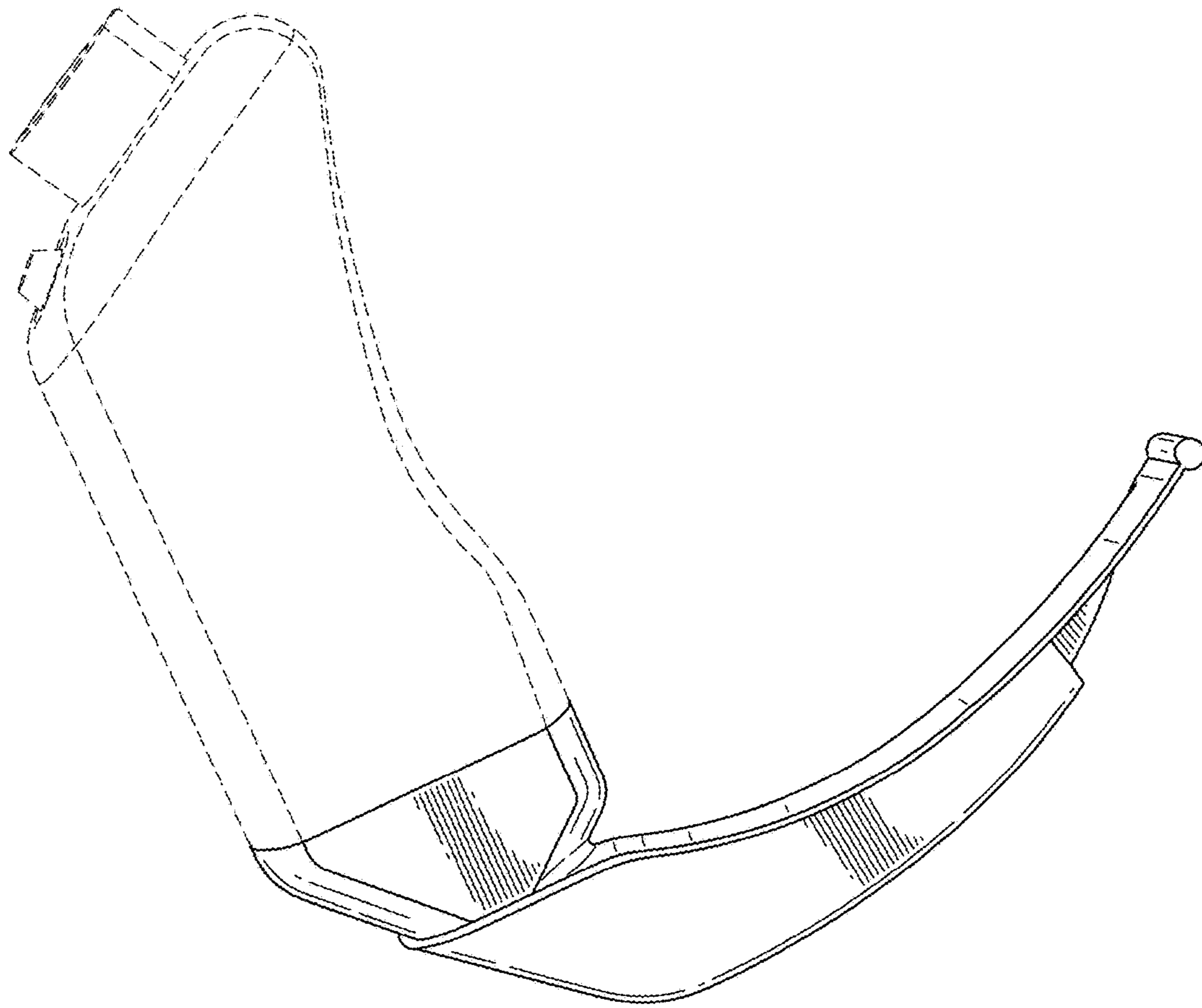


FIG.1

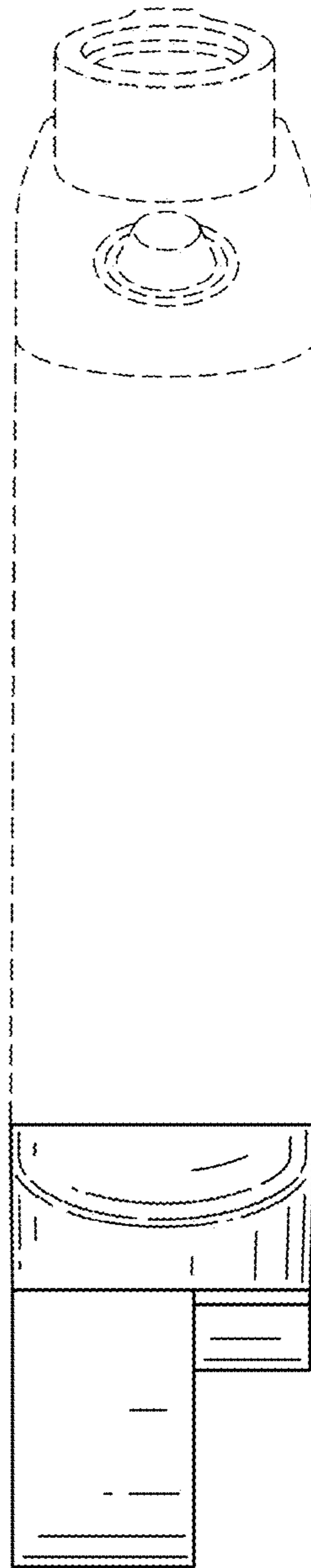


FIG.2



FIG.3

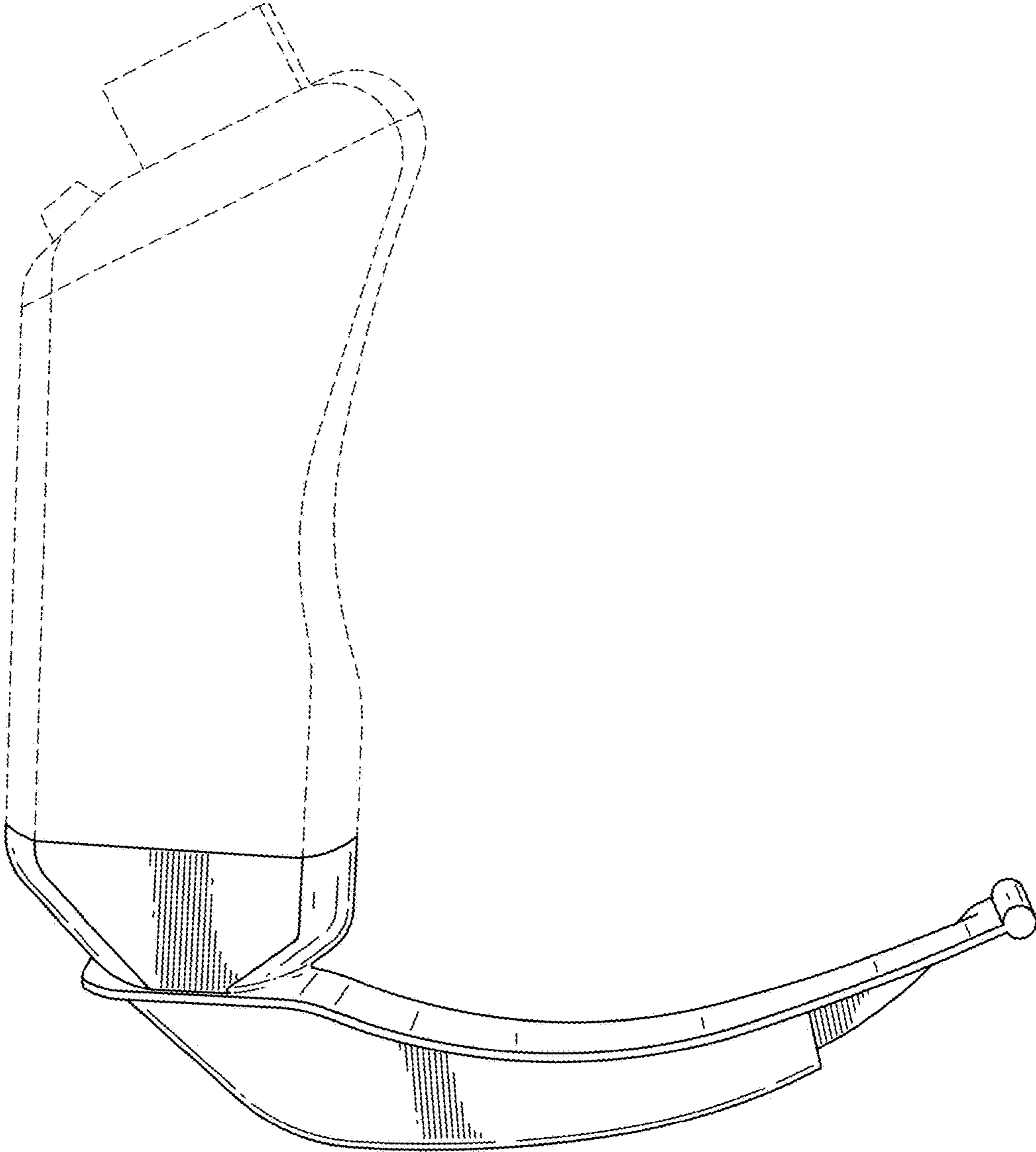


FIG.4

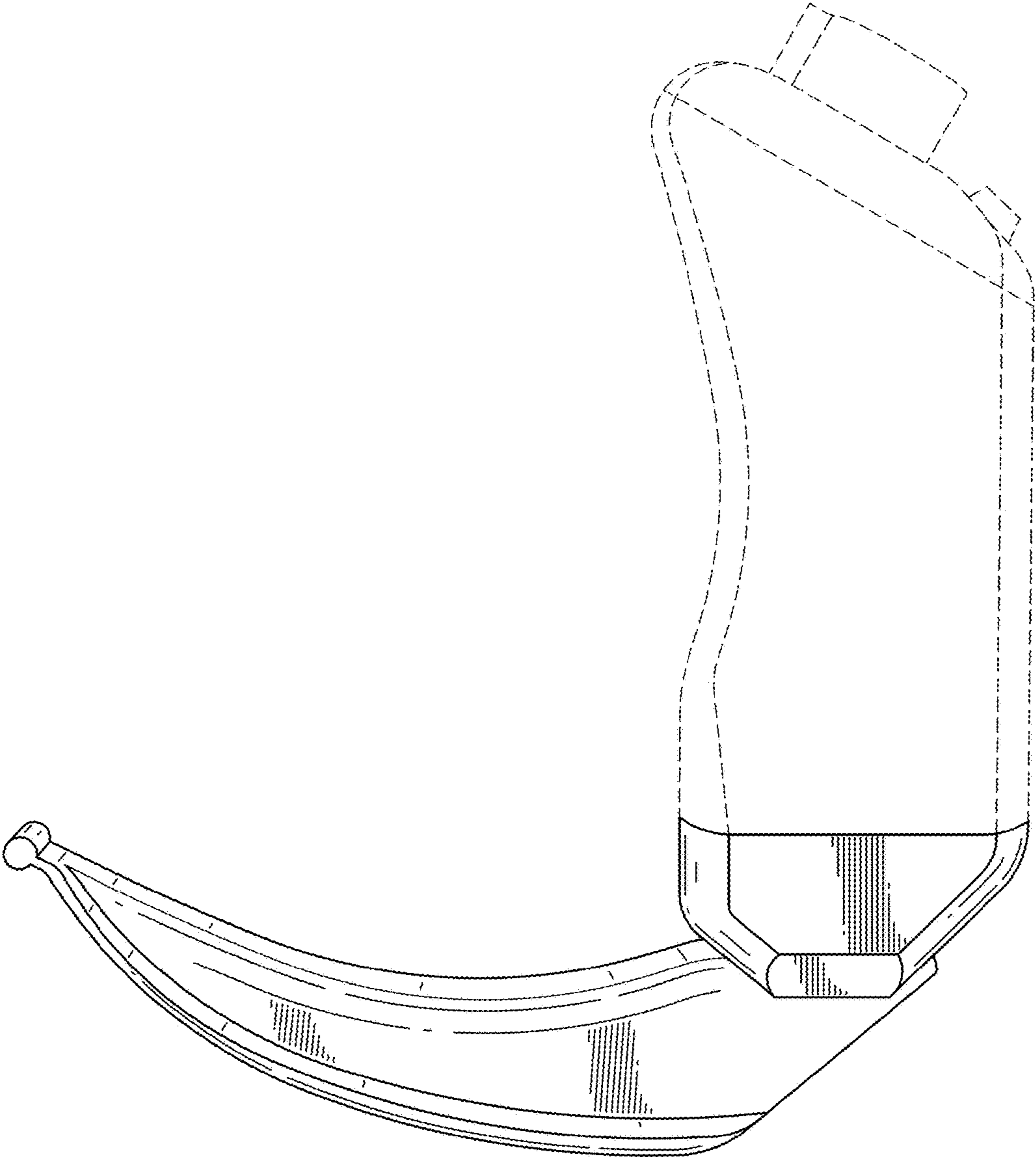


FIG.5

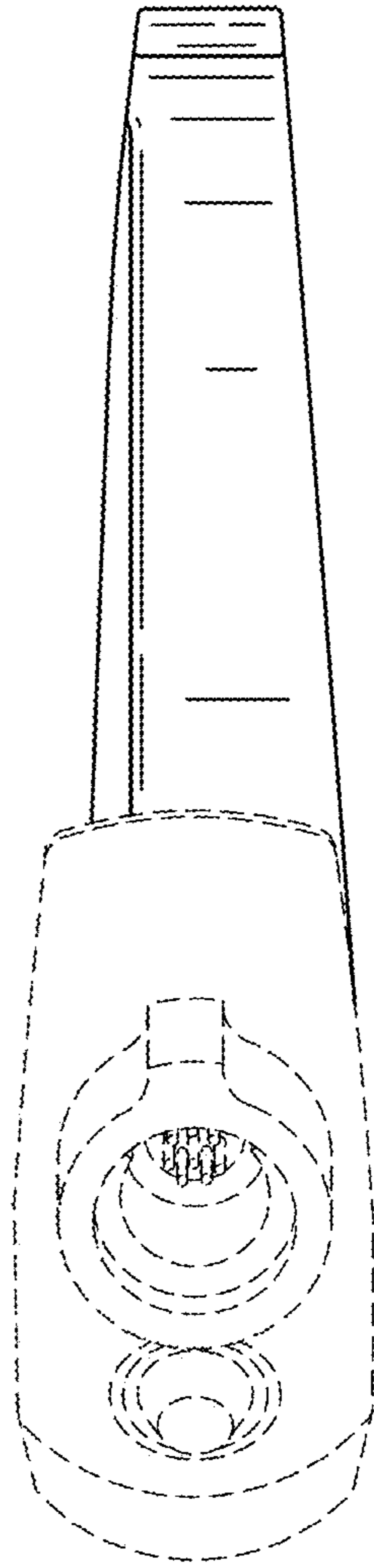


FIG.6

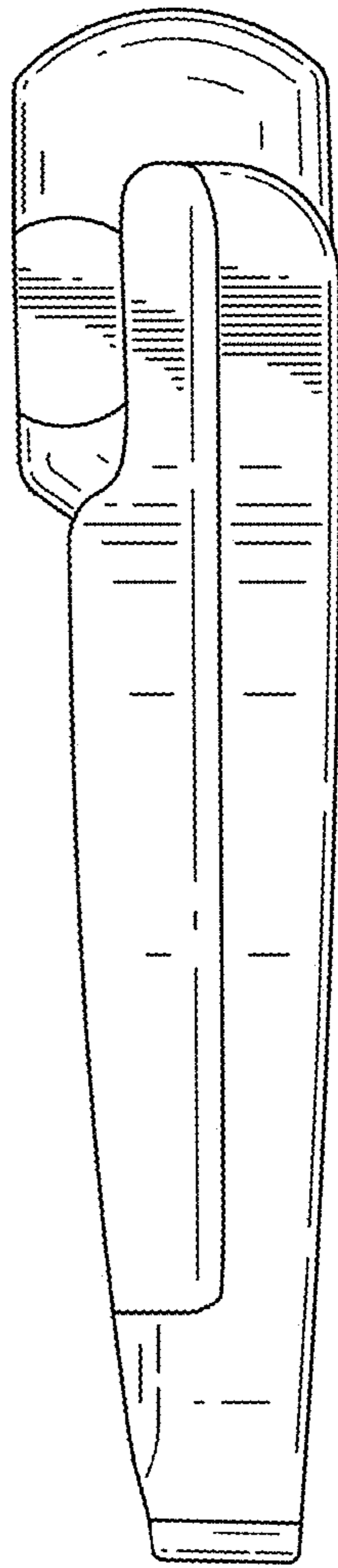


FIG.7