



US00D868961S

(12) **United States Design Patent** (10) **Patent No.:** **US D868,961 S**  
**Stewart et al.** (45) **Date of Patent:** **\*\* Dec. 3, 2019**

(54) **HOUSING FOR A MEDICAL INJECTOR**  
(71) Applicant: **CAREBAY EUROPE LTD**, Sliema (MT)  
(72) Inventors: **Justin Stewart**, Deerfield Beach, FL (US); **Jochen Ratjen**, Nacka (SE)  
(73) Assignee: **SHL MEDICAL AG**, Zug (CH)  
(\*\*) Term: **15 Years**  
(21) Appl. No.: **29/617,342**  
(22) Filed: **Sep. 13, 2017**  
(51) **LOC (12) Cl.** ..... **24-02**  
(52) **U.S. Cl.**  
USPC ..... **D24/112**  
(58) **Field of Classification Search**  
USPC ..... D24/127-131, 112-114, 133, 186;  
606/181, 185; 604/264, 523-528, 272,  
604/187, 158, 164.01-164.11, 181, 184,  
604/227; 600/101, 139, 143;  
128/200.24, 207.14, 207.15  
CPC ..... A61M 5/178; A61M 3/00; A61M 5/20;  
A61M 5/31; A61M 5/3146; A61M  
5/3129; A61M 5/3148; A61M 5/315  
See application file for complete search history.

(56) **References Cited**  
U.S. PATENT DOCUMENTS  
7,488,297 B2 2/2009 Flaherty  
D619,244 S 7/2010 Van der Stappen  
D627,061 S \* 11/2010 Van der Stappen ..... D24/113  
D696,774 S \* 12/2013 Guarraia ..... D24/113  
D708,317 S 7/2014 Schneider et al.  
8,821,451 B2 9/2014 Daniel  
D714,932 S 10/2014 Hall et al.  
9,033,932 B2 5/2015 Holmqvist  
D733,869 S 7/2015 Ratjen  
D757,255 S 5/2016 Wohlfahrt et al.

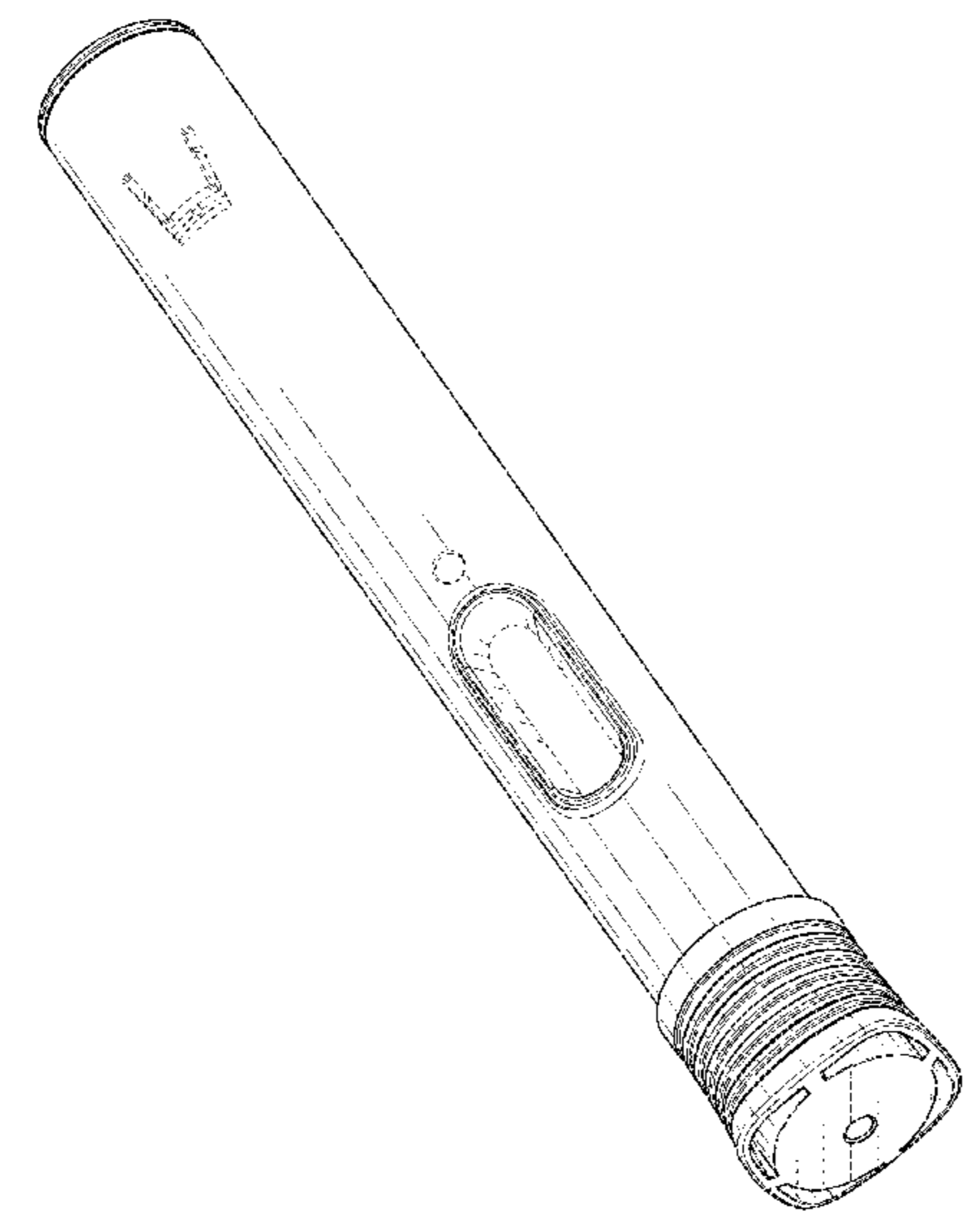
D758,567 S 6/2016 Wohlfahrt et al.  
D758,569 S 6/2016 Wohlfahrt et al.  
D758,570 S 6/2016 Wohlfahrt et al.  
D758,571 S 6/2016 Geert-Jensen et al.  
D767,119 S 9/2016 Hauck et al.  
D774,641 S \* 12/2016 Miggels ..... D24/113  
D794,178 S \* 8/2017 Daniel ..... A61M 5/2033  
D24/113  
D810,281 S \* 2/2018 Holmqvist ..... D24/112  
D810,282 S \* 2/2018 Ratjen ..... D24/113  
9,943,649 B2 \* 4/2018 Shang ..... A61M 5/2033  
9,981,087 B2 \* 5/2018 Shang ..... A61M 5/20  
D819,804 S \* 6/2018 Knight ..... D24/113  
D824,023 S \* 7/2018 Grimoldby ..... D24/113  
D830,538 S \* 10/2018 Guillermo ..... D24/112  
(Continued)

*Primary Examiner* — David G Muller  
(74) *Attorney, Agent, or Firm* — McDonnell Boehnen  
Hulbert & Berghoff LLP

(57) **CLAIM**  
The ornamental design for a housing of a medical injector,  
as shown and described.

**DESCRIPTION**  
FIG. 1 is a perspective view of the housing for medical  
injector viewed from the front top showing my new design;  
FIG. 2 is a perspective view thereof viewed from the rear  
top;  
FIG. 3 is a top plan view thereof  
FIG. 4 is a bottom plan view thereof;  
FIG. 5 is a right side elevation view thereof;  
FIG. 6 is a left side elevation view thereof;  
FIG. 7 is a rear elevation view thereof; and,  
FIG. 8 is a front elevation view thereof.  
The broken lines showing is for the purpose of illustrating  
portions of the article and forms no part of the claimed  
design. The broken line which defines the bounds of the  
claimed invention forms no part of the claimed design.

**1 Claim, 5 Drawing Sheets**



(56)

**References Cited**

U.S. PATENT DOCUMENTS

D831,822 S \* 10/2018 Guillermo ..... D24/112  
D851,754 S \* 6/2019 Boyaval ..... D24/113

\* cited by examiner

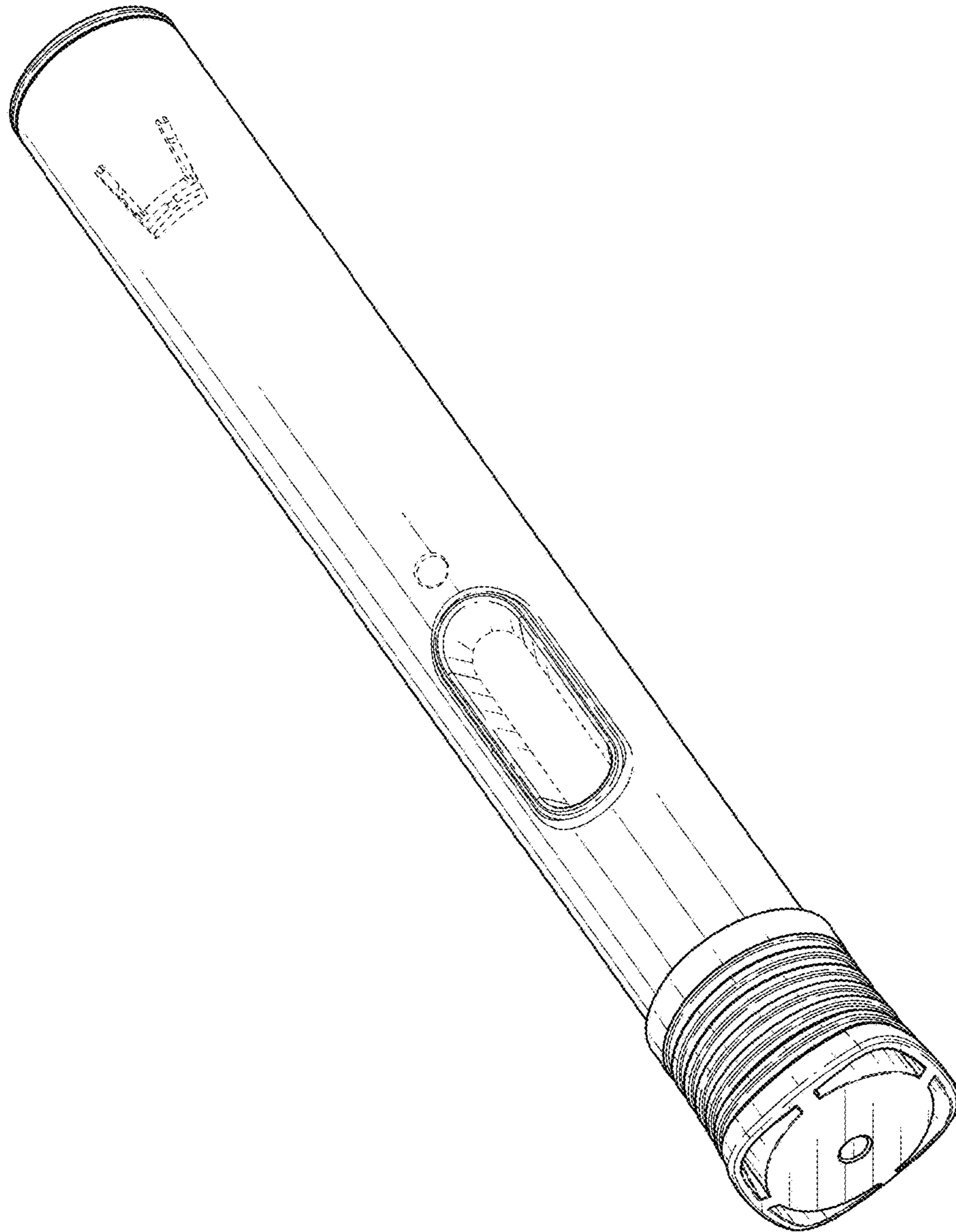


FIG. 1

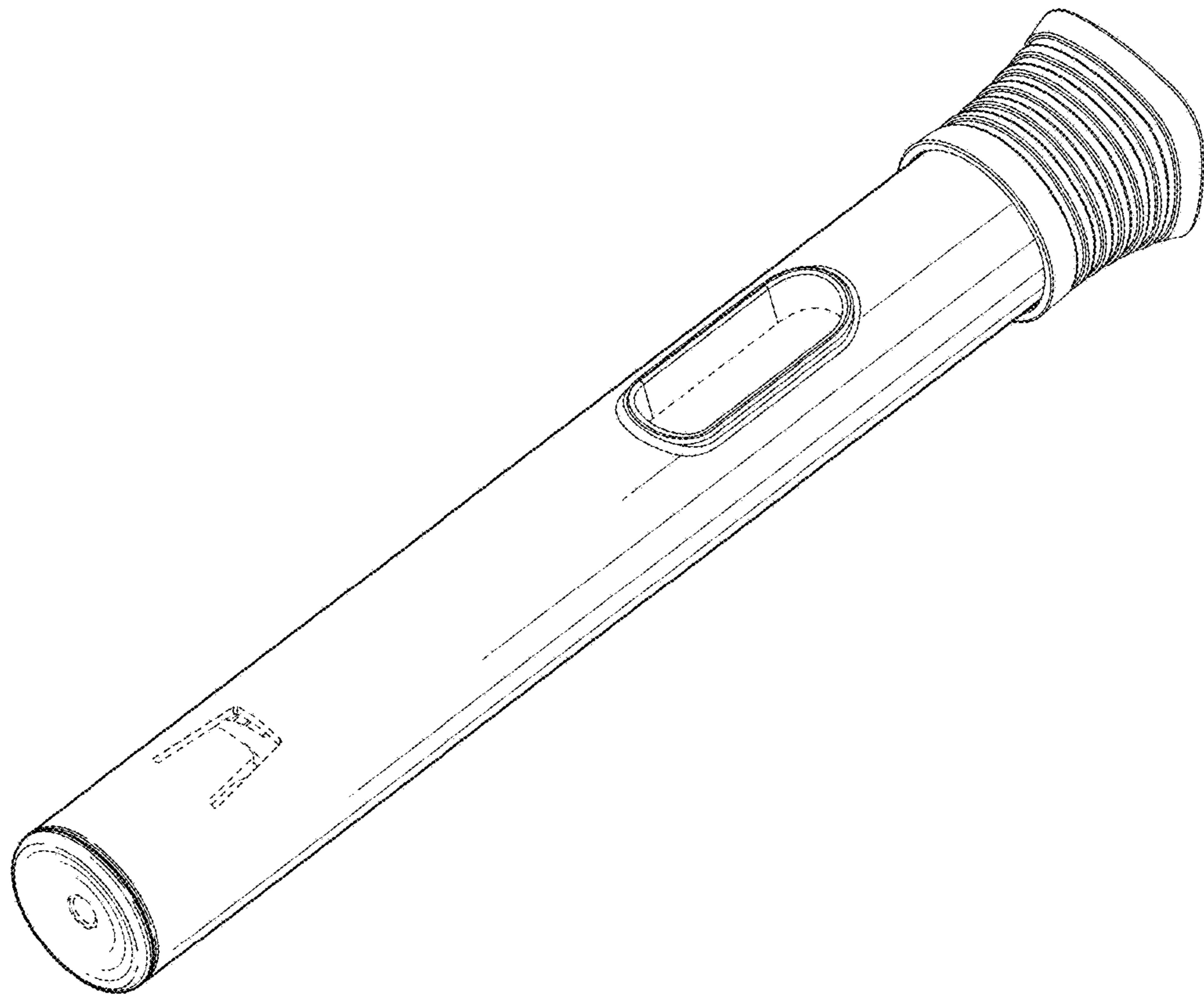


FIG. 2

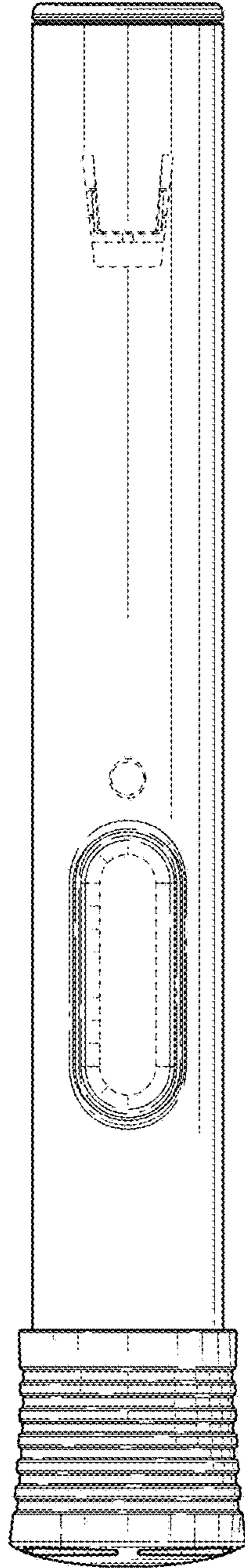


FIG. 3

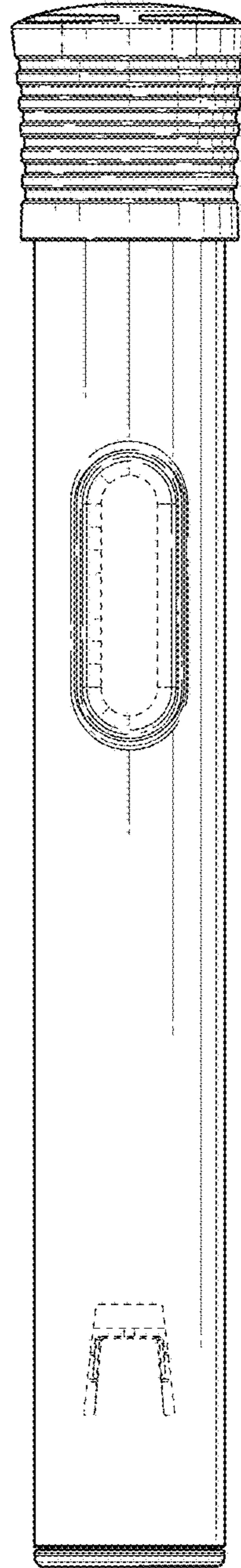


FIG. 4

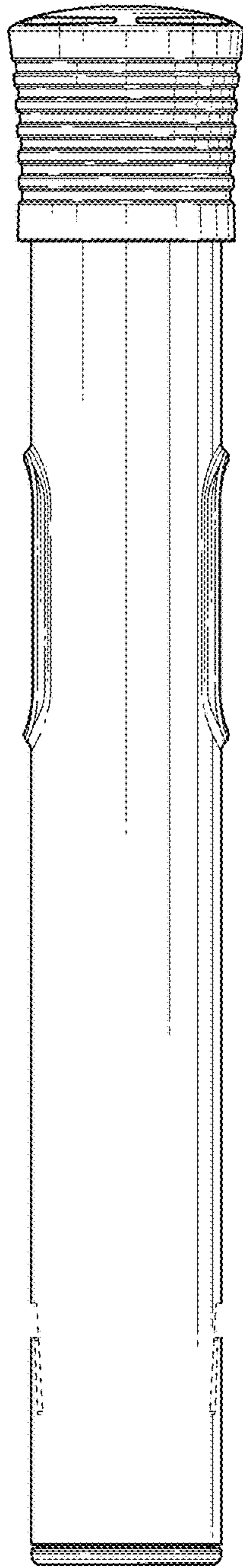


FIG. 5

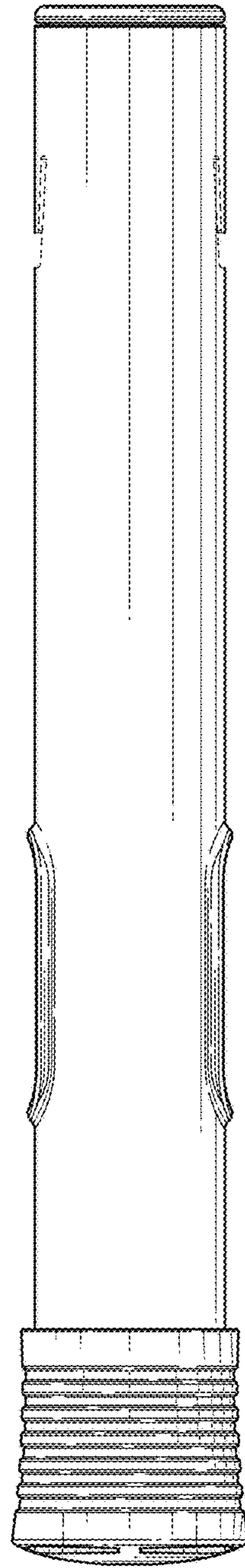


FIG. 6

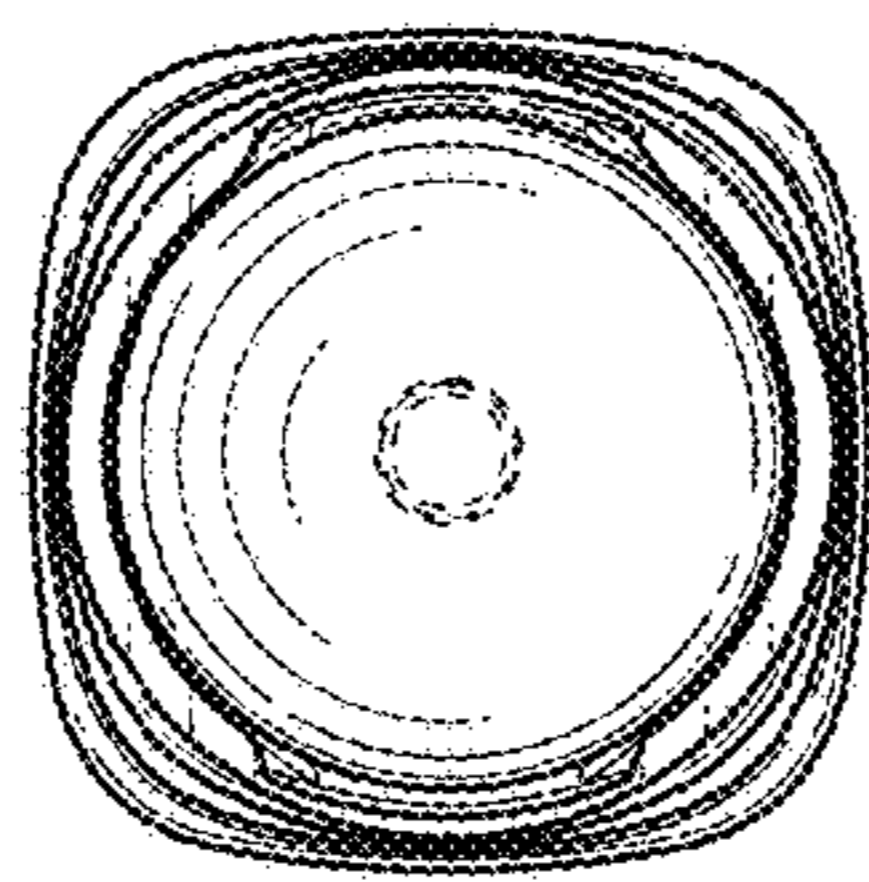


FIG. 7

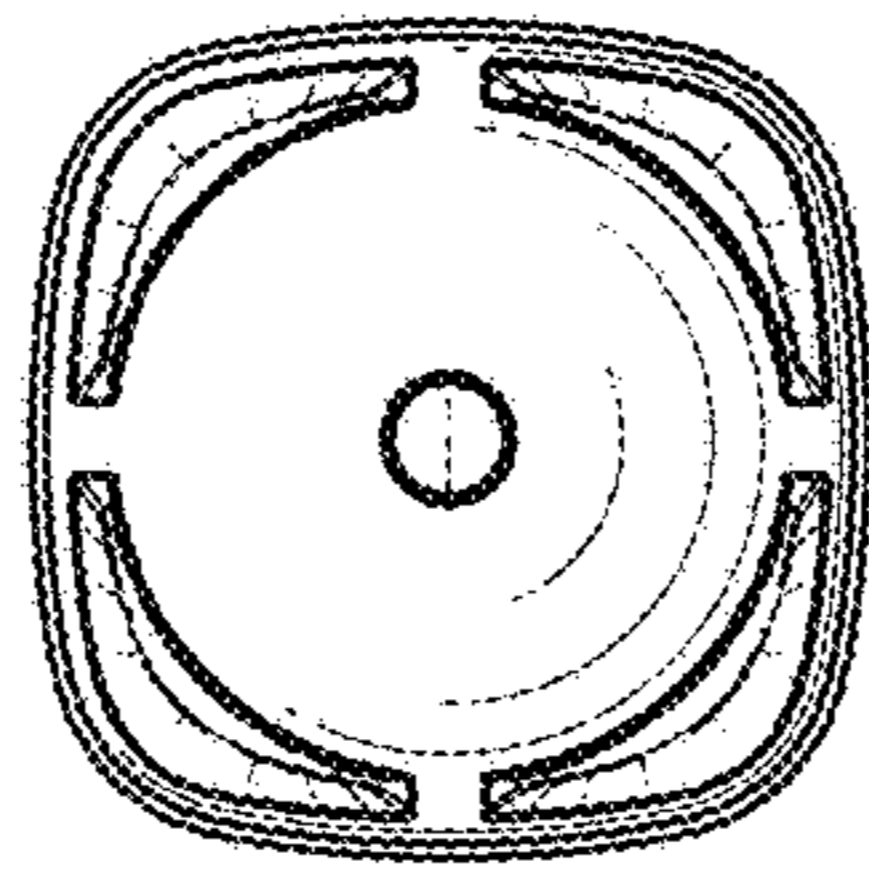


FIG. 8