



US00D868959S

(12) **United States Design Patent**  
**Bornholdt et al.**

(10) **Patent No.:** **US D868,959 S**

(45) **Date of Patent:** **\*\* Dec. 3, 2019**

- (54) **HEADGEAR FOR A PATIENT INTERFACE**
- (71) Applicant: **Fisher & Paykel Healthcare Limited**,  
Auckland (NZ)
- (72) Inventors: **Melissa Catherine Bornholdt**,  
Auckland (NZ); **Simon Mittermeier**,  
Auckland (NZ); **Dana Willfroth**,  
Auckland (NZ); **Bruce Michael Walls**,  
Auckland (NZ)
- (73) Assignee: **Fisher & Paykel Healthcare Limited**,  
Auckland (NZ)
- (\*\*) Term: **15 Years**

- (21) Appl. No.: **29/602,698**
- (22) Filed: **May 2, 2017**
- (51) **LOC (12) Cl.** ..... **29-02**
- (52) **U.S. Cl.**  
USPC ..... **D24/110.1**
- (58) **Field of Classification Search**  
USPC ..... D24/110.1–110.5, 127–128; D29/108,  
D29/122  
CPC ..... A61M 16/0622; A61M 16/0616; A61M  
16/0605; A61M 16/0644; A61M 16/0633;  
A61M 16/06; A61M 16/0683  
See application file for complete search history.

(56) **References Cited**  
U.S. PATENT DOCUMENTS

D693,459 S *	11/2013	Prentice	.....	D24/110.1
D695,887 S *	12/2013	Ozolins	.....	D24/110.4
D706,413 S	6/2014	Veliss et al.		
D740,934 S *	10/2015	Formica	.....	D24/110.1
D769,440 S *	10/2016	Amarasinghe	.....	D24/110.4
9,539,403 B2 *	1/2017	Eves	.....	A61M 16/06
D782,030 S *	3/2017	Prentice	.....	D24/110.4
D782,655 S *	3/2017	Blanch	.....	D24/110.4
D784,515 S *	4/2017	Prentice	.....	D24/110.1

- 9,744,385 B2 \* 8/2017 Henry ..... A61M 16/0683
- D797,277 S \* 9/2017 Blanch ..... D24/110
- D810,277 S \* 2/2018 Amarasinghe ..... D24/110.1
- D837,971 S \* 1/2019 Prentice ..... D24/110.1
- 10,207,072 B2 \* 2/2019 Dunn ..... A61M 16/0683
- 10,335,568 B2 \* 7/2019 Amarasinghe .... A61M 16/0666

(Continued)

*Primary Examiner* — Lilyana Bekic  
(74) *Attorney, Agent, or Firm* — Knobbe, Martens, Olson  
& Bear, LLP

(57) **CLAIM**

The ornamental design for a headgear for a patient interface,  
as shown and described.

**DESCRIPTION**

FIG. 1 is a front, top and right side perspective view of the headgear for a patient interface in a laid flat non-use configuration.

FIG. 2 is a front view thereof.

FIG. 3 is a rear view thereof.

FIG. 4 is a top view thereof.

FIG. 5 is a bottom view thereof.

FIG. 6 is a left side view thereof.

FIG. 7 is a right side view thereof.

FIG. 8 is a front, top and right side perspective view of the headgear for a patient interface of FIGS. 1 to 7 arranged in an in use configuration to wrap around a user's head.

FIG. 9 is a front view thereof.

FIG. 10 is a rear view thereof.

FIG. 11 is a top view thereof.

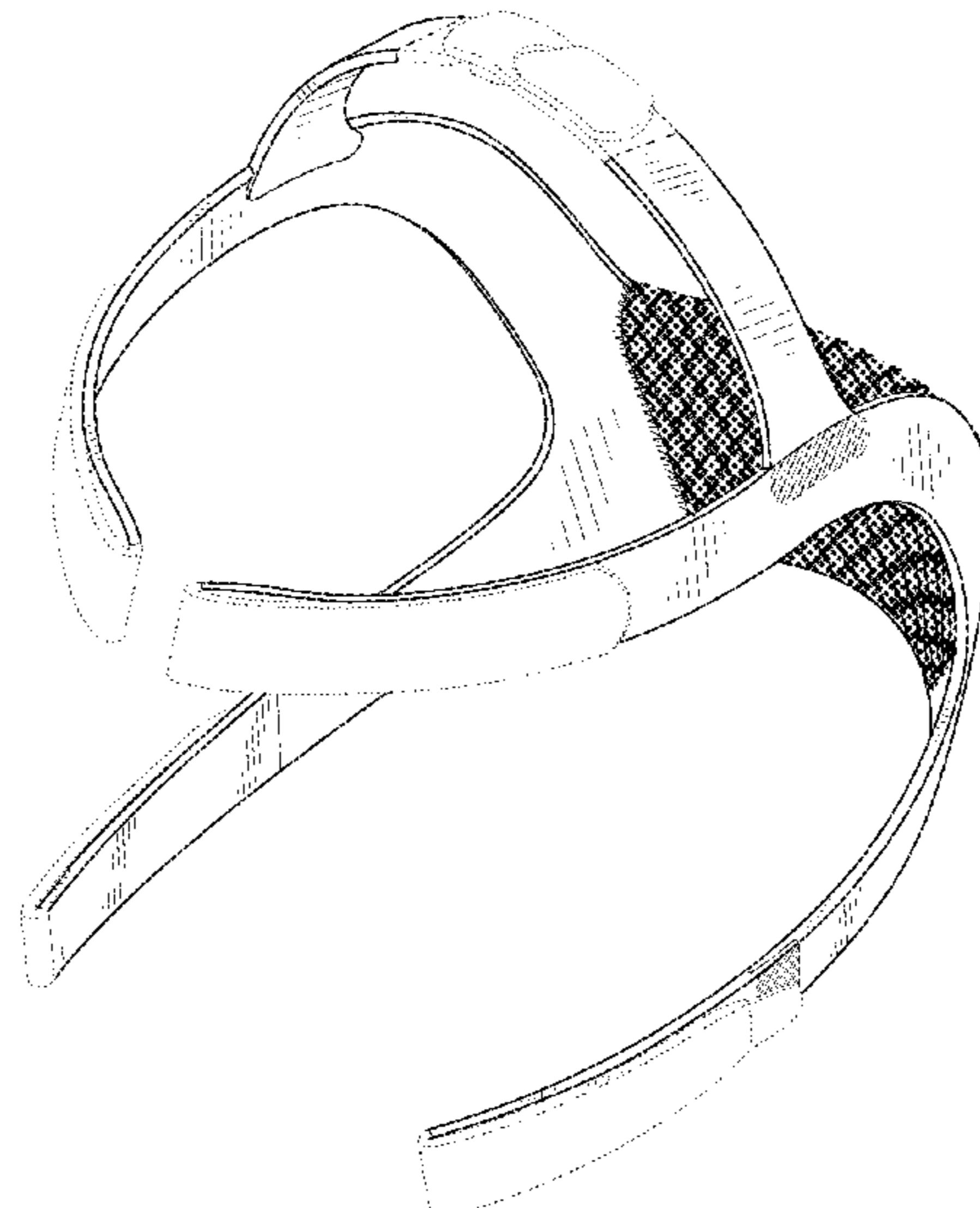
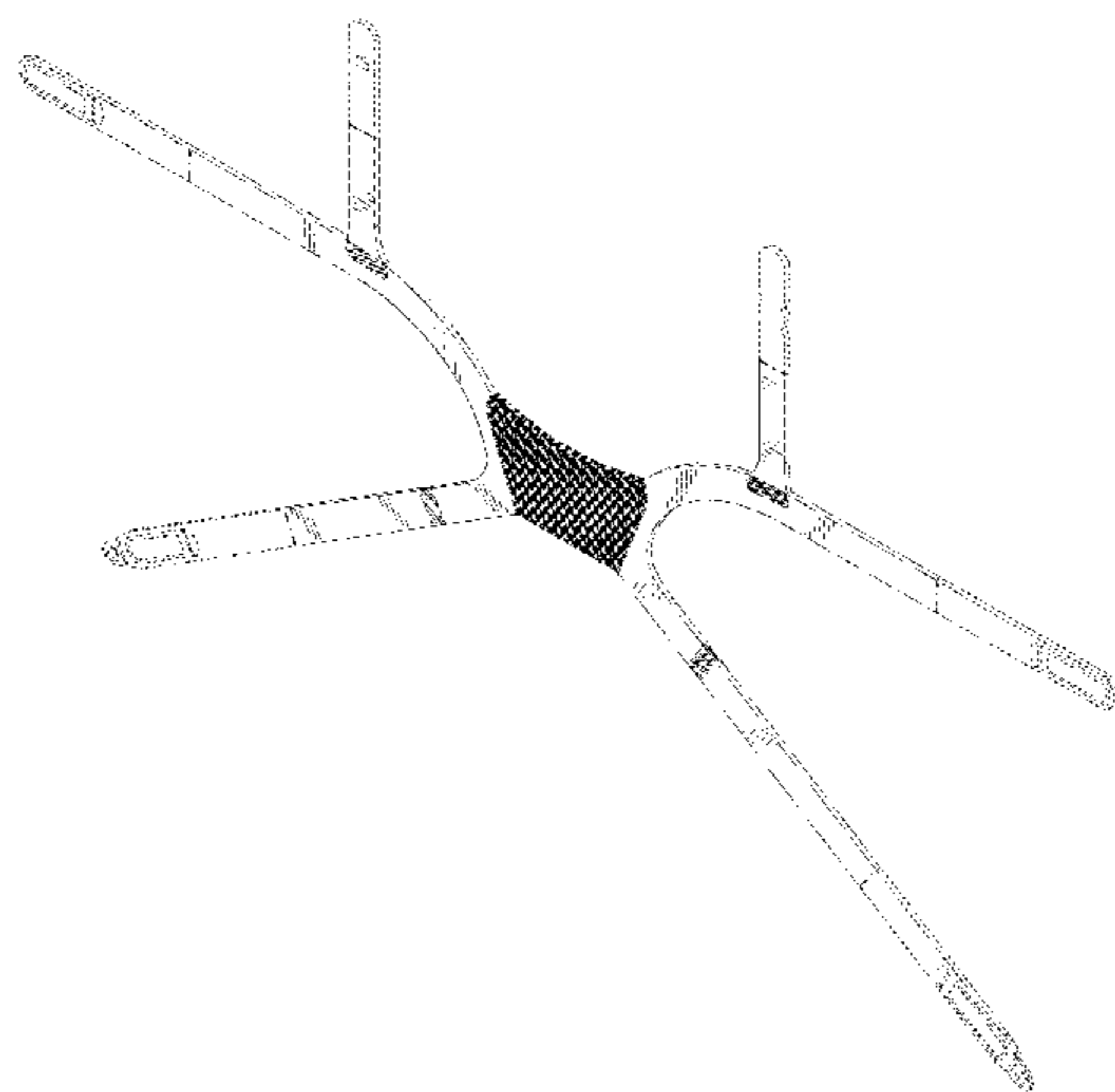
FIG. 12 is a bottom view thereof.

FIG. 13 is a left side view thereof; and,

FIG. 14 is a right side view thereof.

The dashed lines in the drawings illustrate portions of the headgear for a patient interface which form no part of the claimed design. The dash-dot lines are used to define the boundaries of the claimed design and form no part thereof.

**1 Claim, 14 Drawing Sheets**



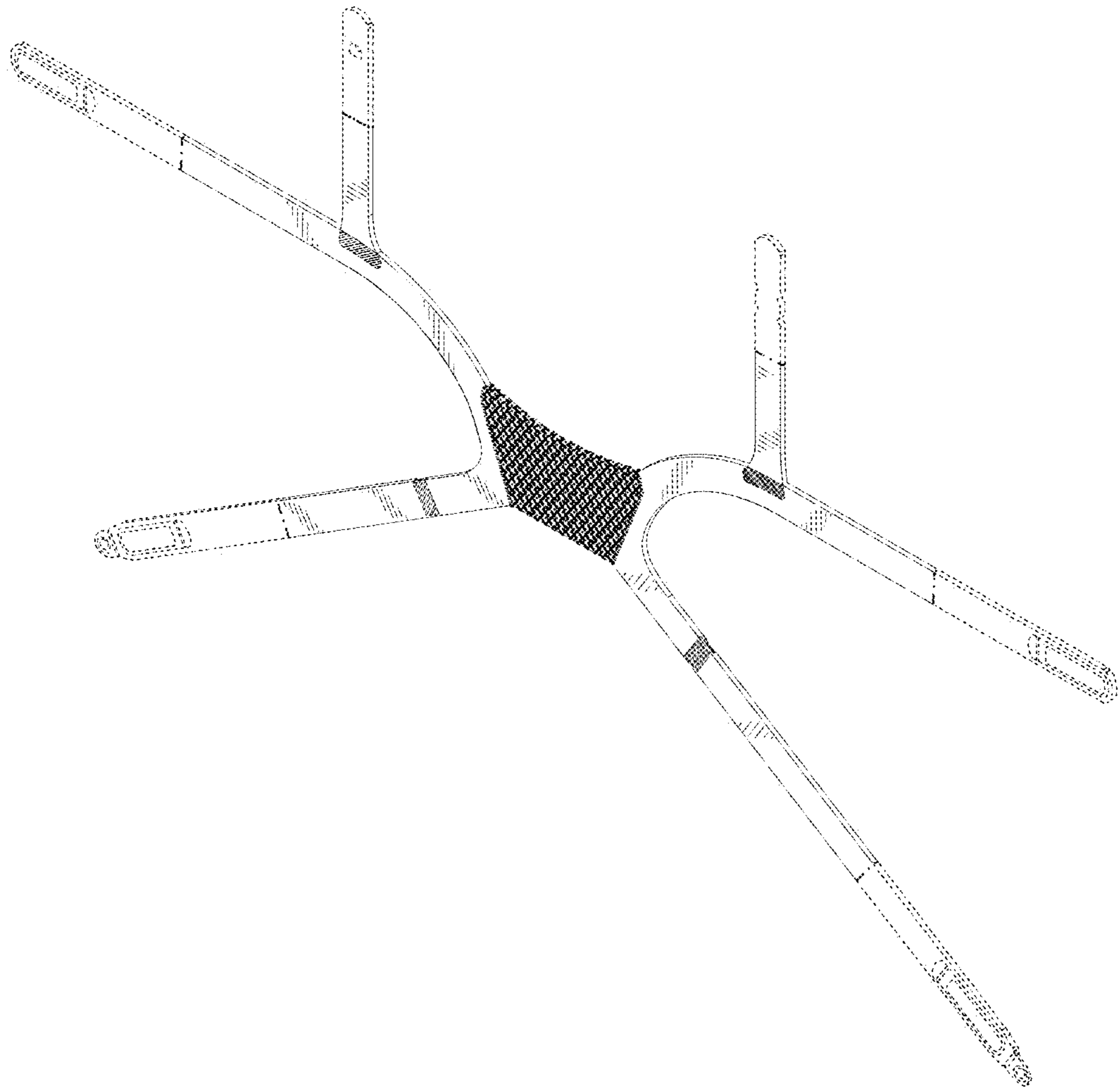
(56)

**References Cited**

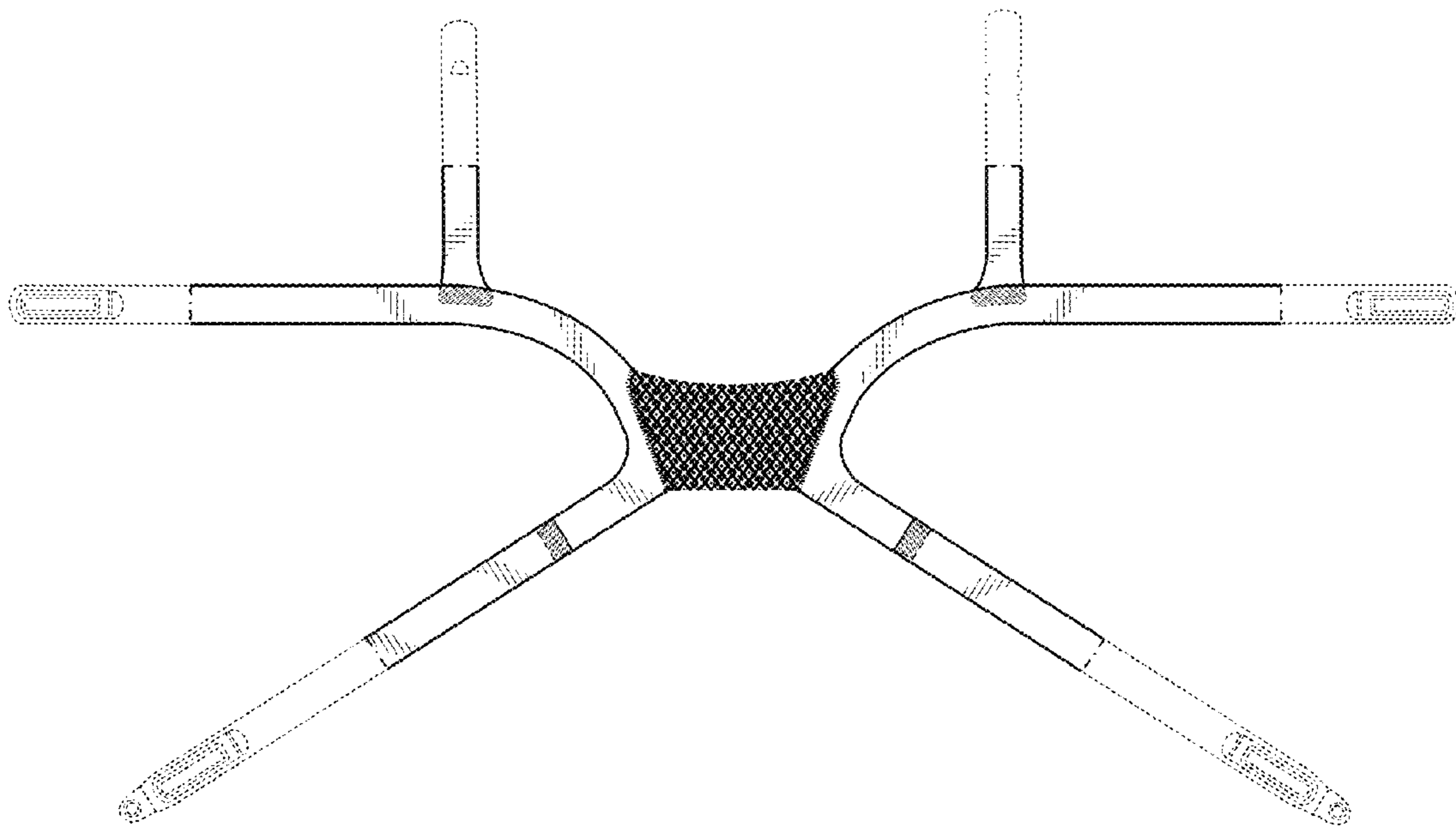
U.S. PATENT DOCUMENTS

2014/0096774 A1 4/2014 Olsen et al.  
2015/0000671 A1\* 1/2015 Frerichs ..... A61M 16/0683  
128/206.21  
2016/0250436 A1\* 9/2016 Brown ..... A61M 16/0683  
128/206.21  
2016/0325067 A1\* 11/2016 Harwood ..... A61M 16/0875  
2016/0354572 A1\* 12/2016 Lim ..... A61M 16/0616  
2017/0065786 A1\* 3/2017 Stephenson ..... A61M 16/06  
2017/0157353 A1\* 6/2017 Olsen ..... A61M 16/0683  
2018/0008794 A1\* 1/2018 Salmon ..... A61M 16/06  
2018/0036505 A1\* 2/2018 Bornholdt ..... A61M 16/0683  
2018/0185598 A1\* 7/2018 Olsen ..... A62B 18/08  
2019/0143072 A1\* 5/2019 Arrowsmith ..... A61M 16/208

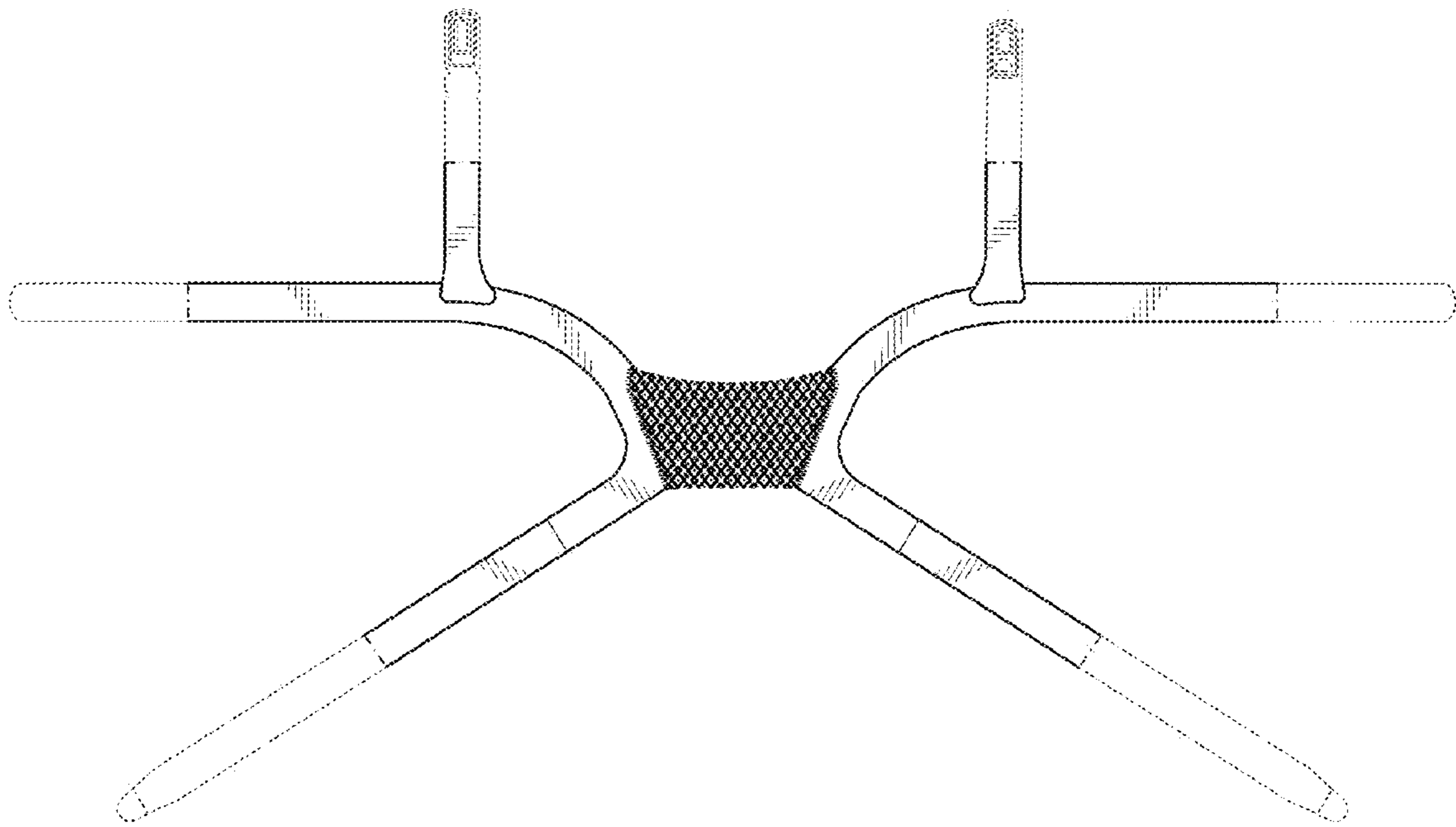
\* cited by examiner



***FIG. 1***



**FIG. 2**



*FIG. 3*



***FIG. 4***



***FIG. 5***

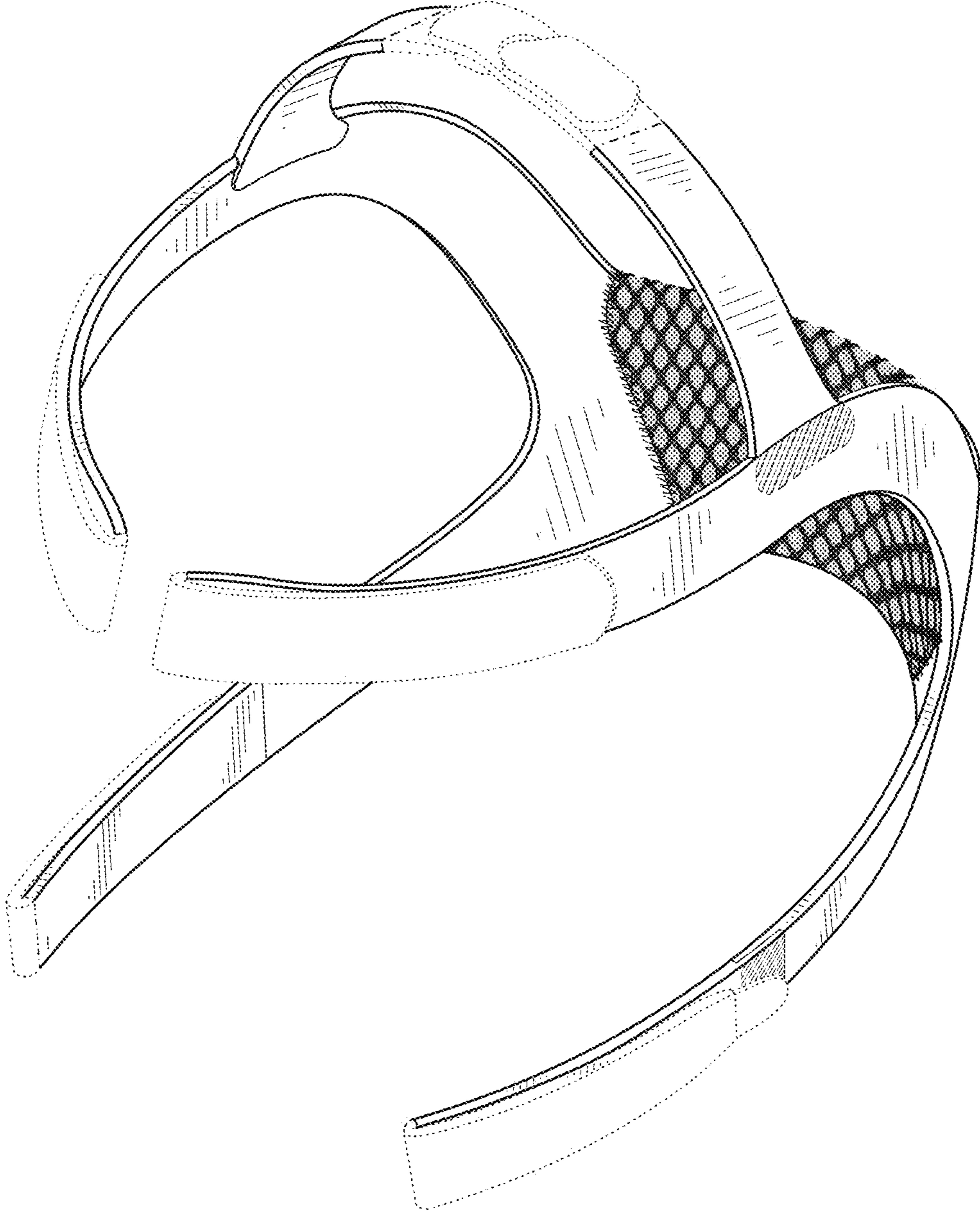


***FIG. 6***

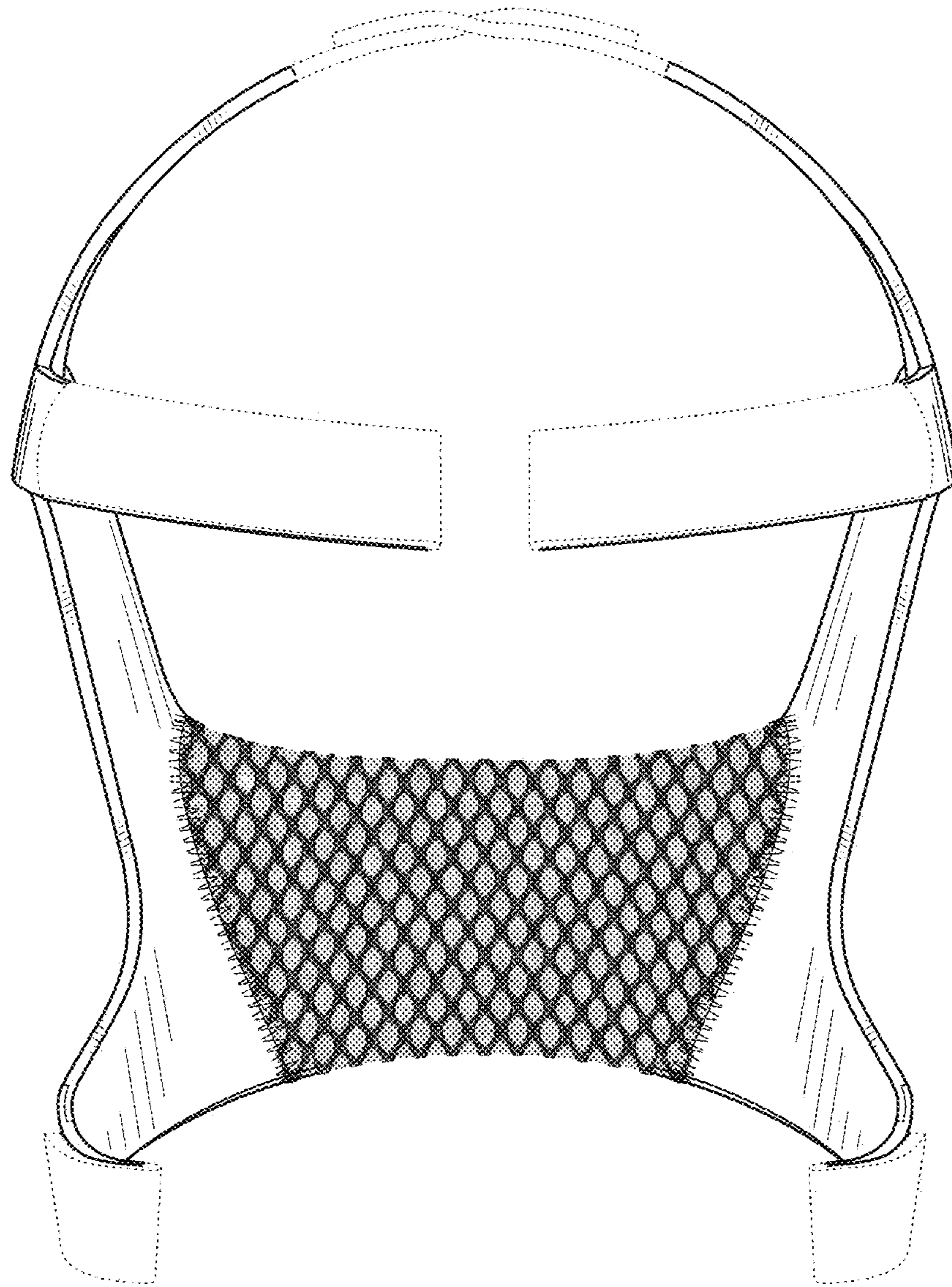




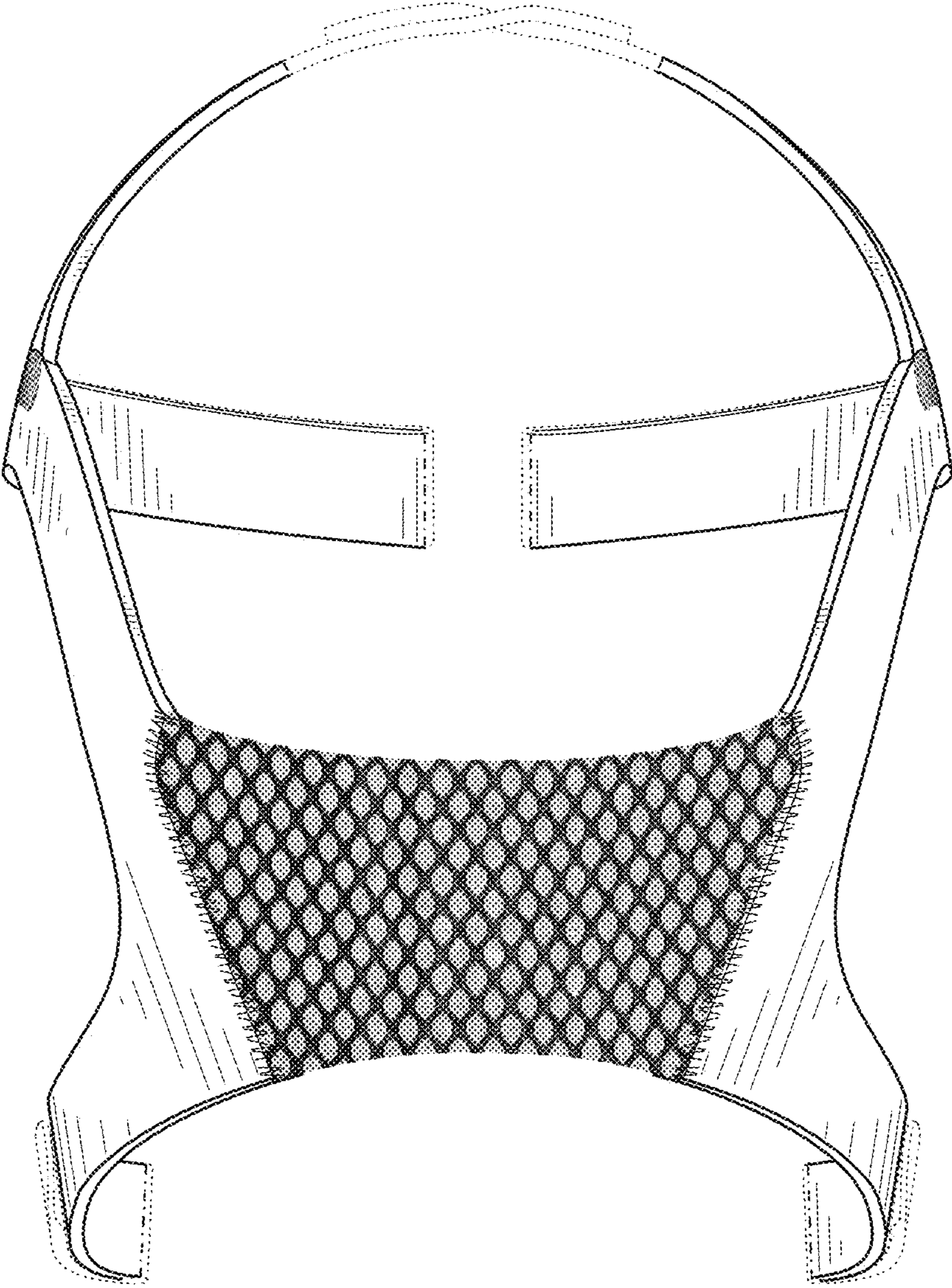
***FIG. 7***



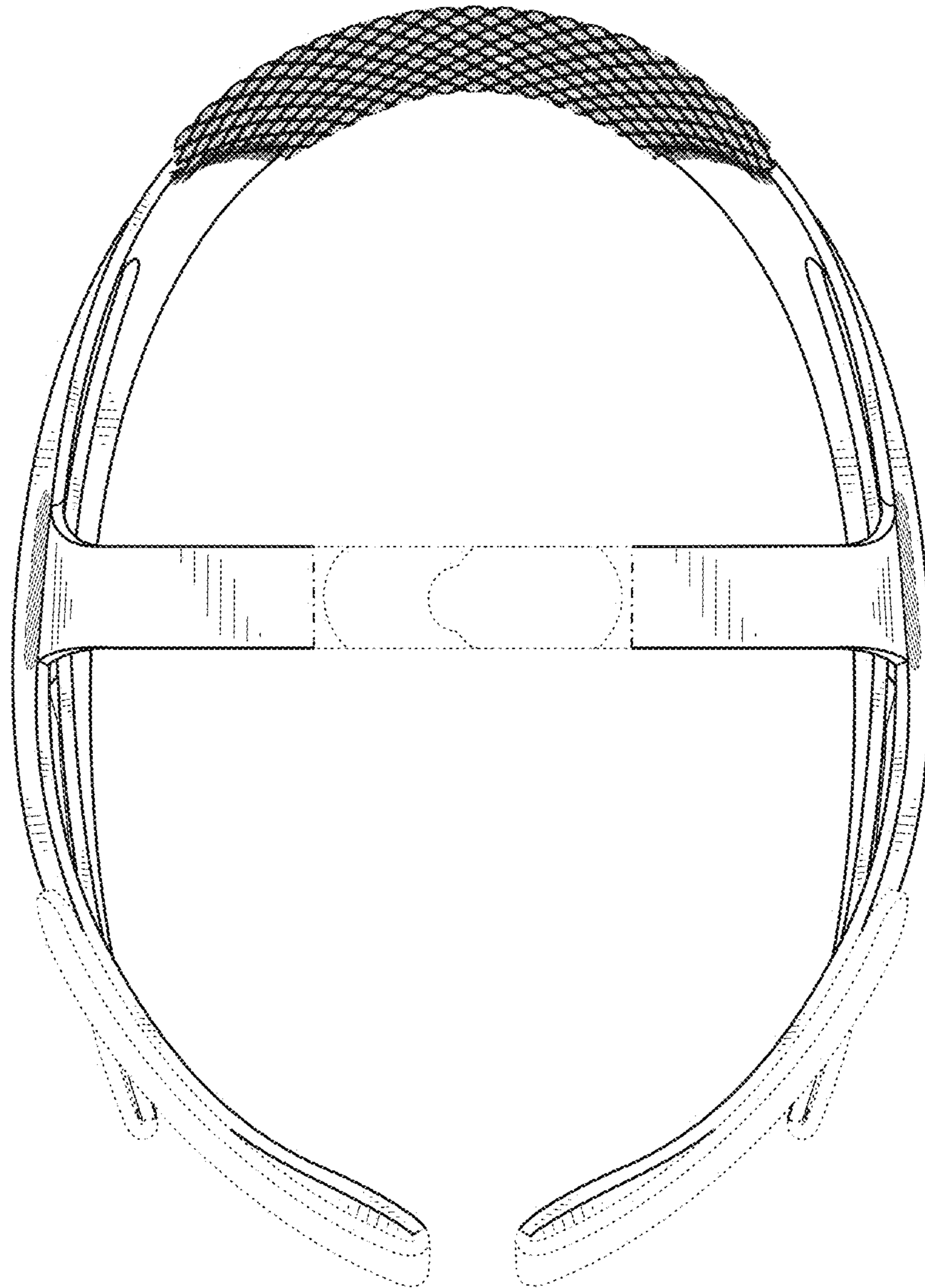
**FIG. 8**



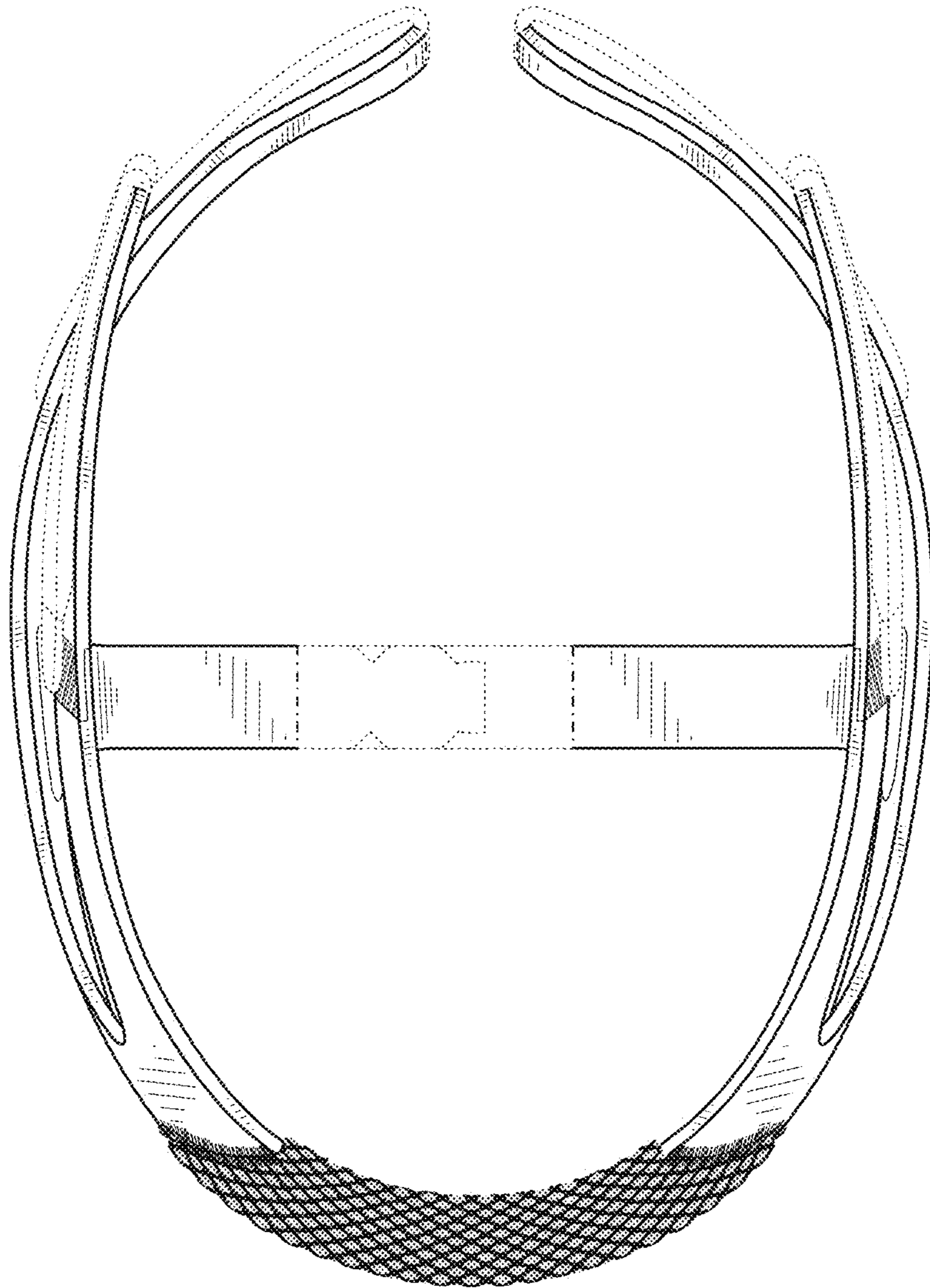
**FIG. 9**



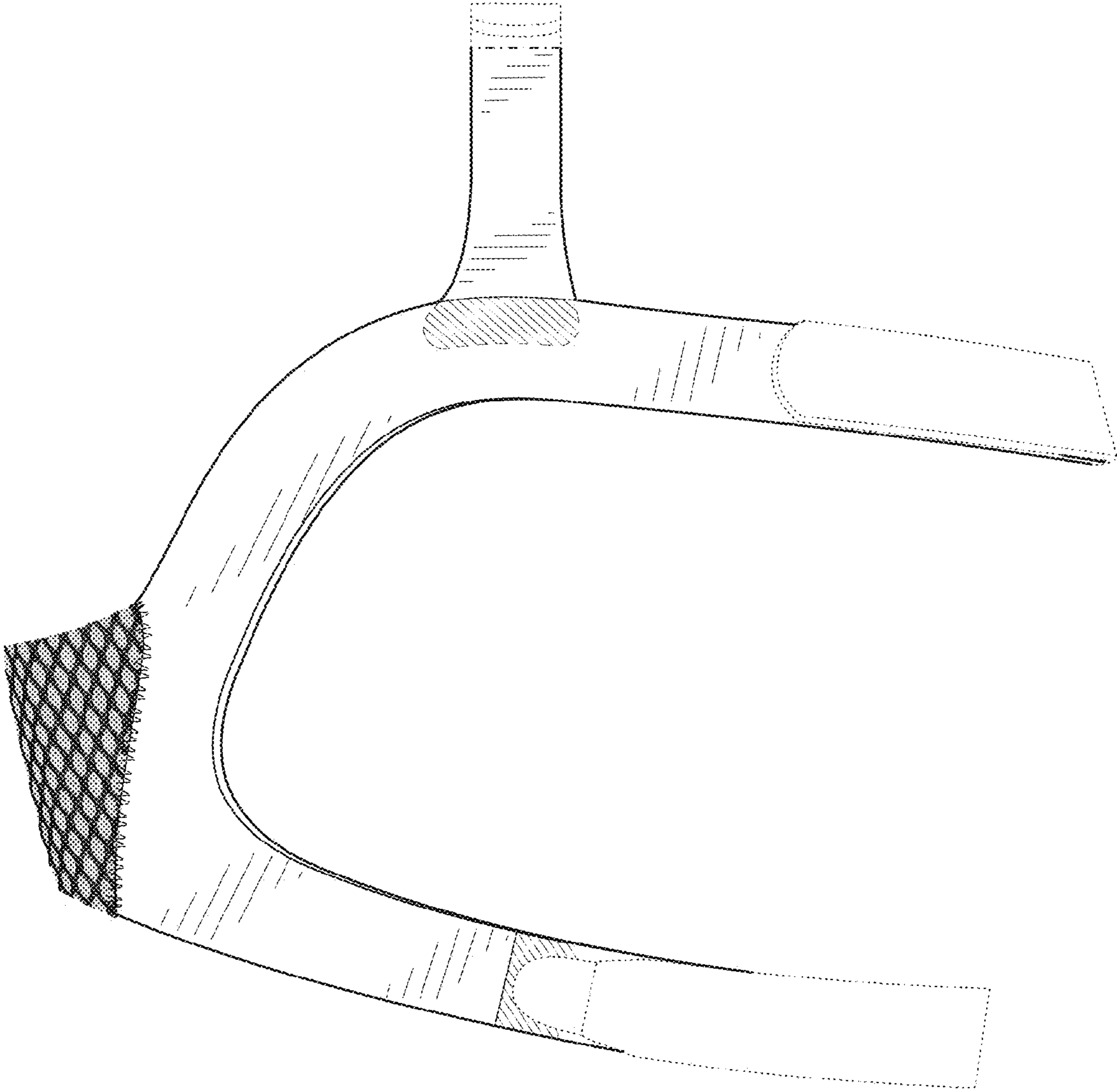
**FIG. 10**



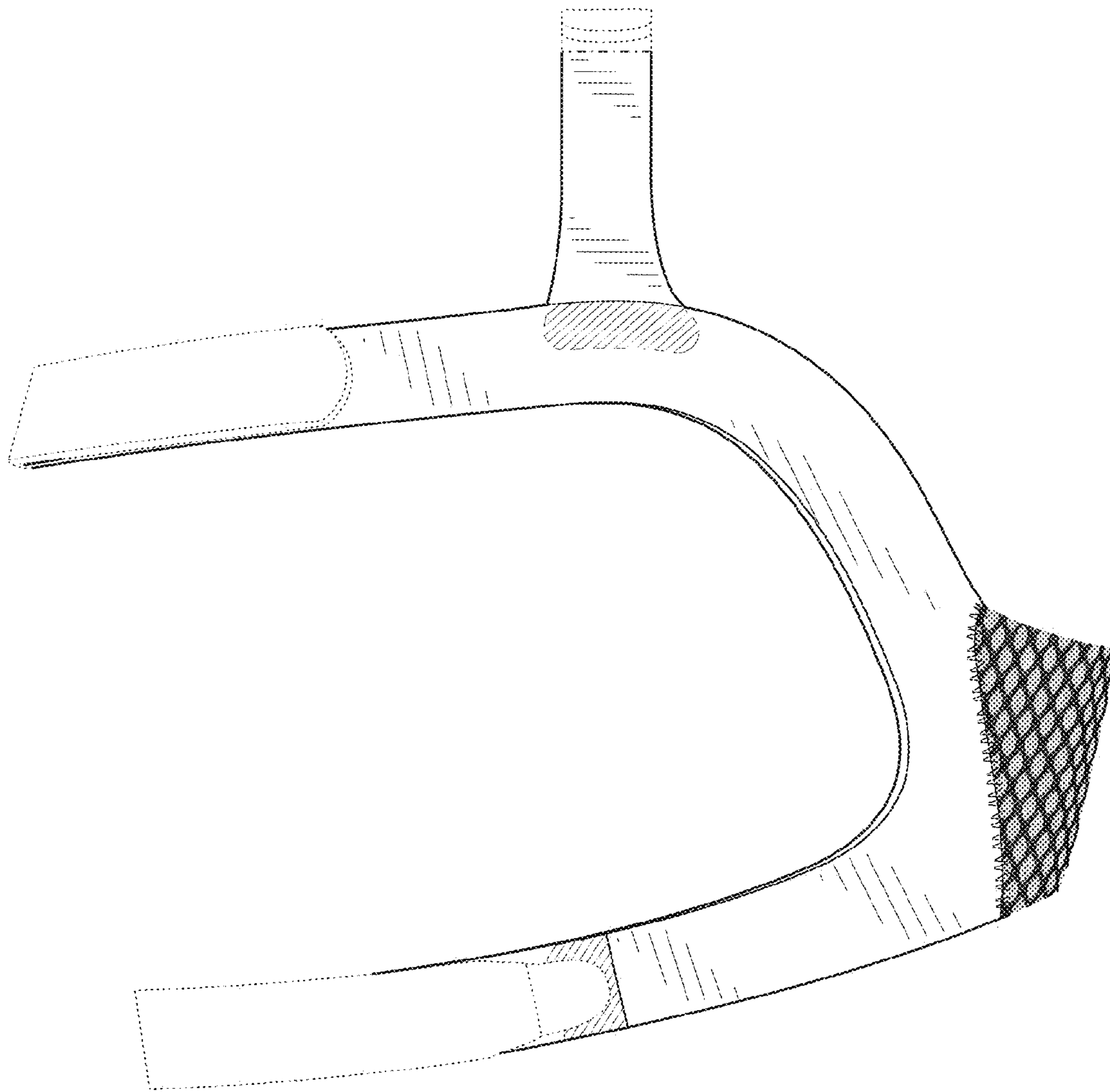
**FIG. 11**



**FIG. 12**



**FIG. 13**



**FIG. 14**



UNITED STATES PATENT AND TRADEMARK OFFICE  
**CERTIFICATE OF CORRECTION**

PATENT NO. : D868,959 S  
APPLICATION NO. : 29/602698  
DATED : December 3, 2019  
INVENTOR(S) : Melissa Catherine Bornholdt

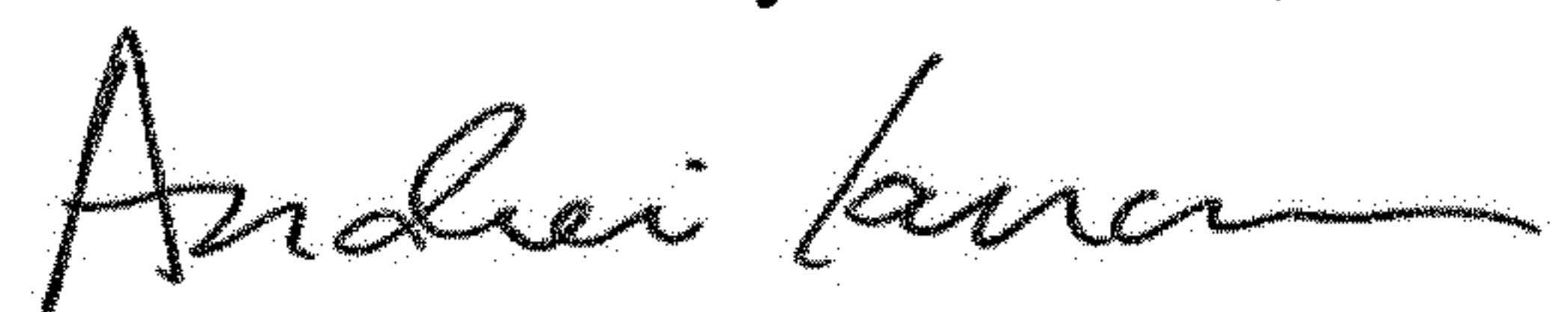
Page 1 of 1

It is certified that error appears in the above-identified patent and that said Letters Patent is hereby corrected as shown below:

On the Title Page

Item (73), Line 1, under Assignee, change "Healthcare" to --Healthcare--.

Signed and Sealed this  
Seventeenth Day of March, 2020



Andrei Iancu  
*Director of the United States Patent and Trademark Office*