



US00D868957S

(12) **United States Design Patent** (10) **Patent No.:** **US D868,957 S**
Chase et al. (45) **Date of Patent:** **** Dec. 3, 2019**

(54) **PUMP CONTROLLER**

(71) Applicant: **TACTILE SYSTEMS TECHNOLOGY, INC.**, Minneapolis, MN (US)

(72) Inventors: **Daniel G. Chase**, Menomonie, WI (US); **Mark R. Riley**, St. Paul, MN (US); **Wade Andrew Zander**, Minneapolis, MN (US); **Danwei Ye**, Cleveland, OH (US); **Jason Tilk**, Cleveland, OH (US); **Robert Allen**, Cleveland, OH (US); **Rebecca L. Blice**, Cleveland, OH (US); **Daniel Michael**, Cleveland, OH (US); **Jason R. Ertel**, Cleveland, OH (US)

(73) Assignee: **Tactile Systems Technology, Inc.**, Minneapolis, MN (US)

(**) Term: **15 Years**

(21) Appl. No.: **29/619,534**

(22) Filed: **Sep. 29, 2017**

(51) **LOC (12) Cl.** **24-01**

(52) **U.S. Cl.**
USPC **D24/107; D24/169; D24/188**

(58) **Field of Classification Search**
USPC D24/107, 108, 111, 169, 185, 186, 188
CPC A61M 2205/3344; A61H 2209/00; A61H 1/00; A61H 9/00
See application file for complete search history.

(56) **References Cited**

U.S. PATENT DOCUMENTS

D315,406 S * 3/1991 Dye D24/169
D362,721 S * 9/1995 Peeler D24/169
D367,115 S * 2/1996 Barber D24/169
D374,931 S * 10/1996 Cesaroni D24/111
5,876,359 A * 3/1999 Bock A61H 9/0078
601/150

D452,570 S * 12/2001 Since D24/200
6,468,237 B1 * 10/2002 Lina A61F 13/065
601/150
D473,314 S * 4/2003 Since D13/162
D489,816 S * 5/2004 Ross D24/107
D502,996 S * 3/2005 Guenther D24/200
D669,575 S * 10/2012 Ebert D24/108

(Continued)

FOREIGN PATENT DOCUMENTS

CA 177701 * 5/2019
JP D1616696 * 10/2018

OTHER PUBLICATIONS

Flexitouch® System User's Guide, Tactile Systems Technology Inc., DBA Tactile Medical, 2013. 48 pages. Model PD32-U.

(Continued)

Primary Examiner — Lilyana Bekic

(74) *Attorney, Agent, or Firm* — Mueting, Raasch & Gebhardt, P.A.

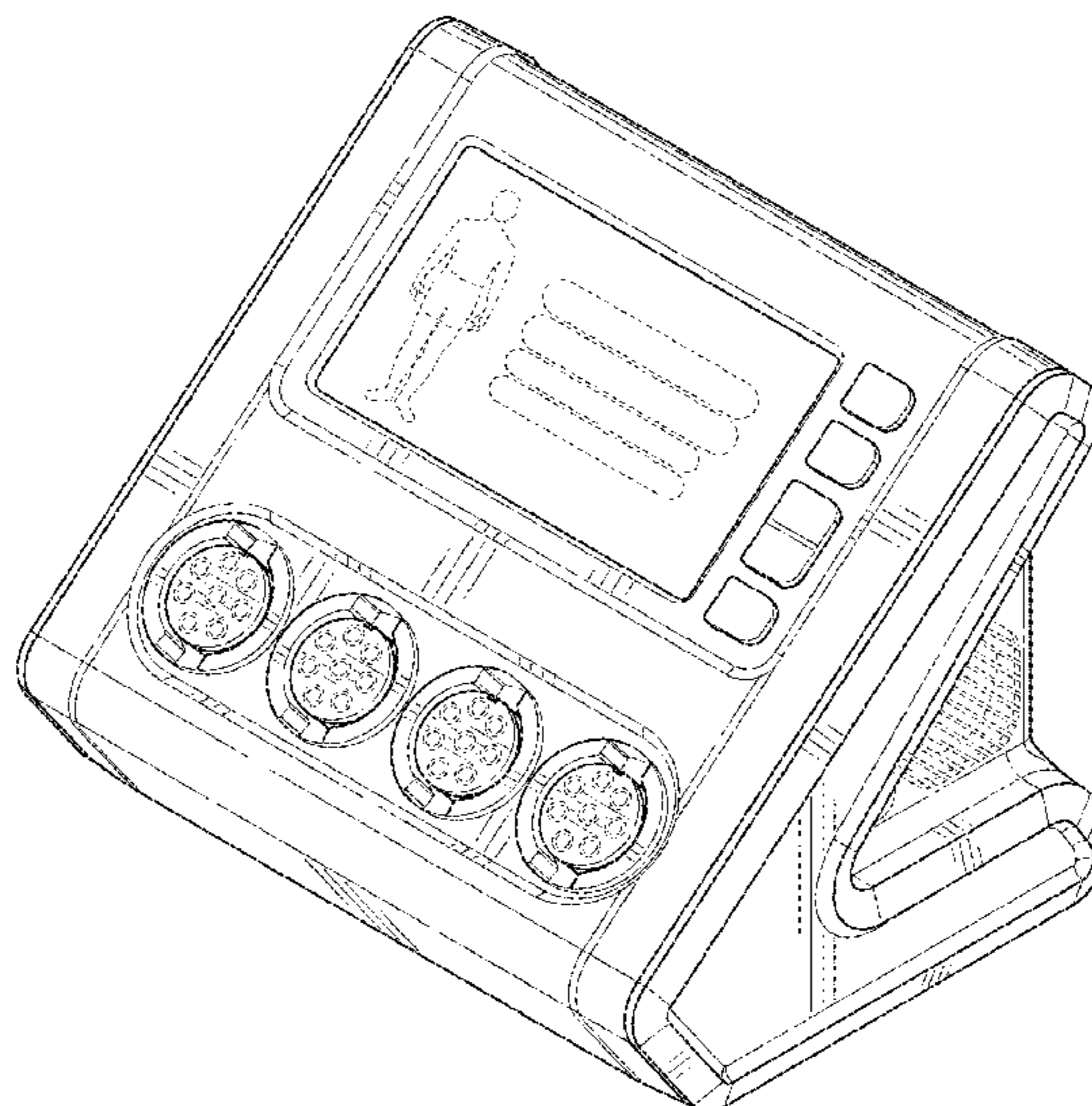
(57) **CLAIM**

The ornamental design for a pump controller, as shown and described.

DESCRIPTION

FIG. 1 is a front right perspective view of a pump controller in accordance with the claimed design;
FIG. 2 is a left rear perspective view thereof;
FIG. 3 is a front elevation view thereof;
FIG. 4 is a rear elevation view thereof;
FIG. 5 is a left side elevation view thereof;
FIG. 6 is a right side elevation view thereof;
FIG. 7 is a top plan view thereof; and,
FIG. 8 is a bottom plan view thereof.
The dash-dash broken lines in the drawings depict portions of the pump controller that form no part of the claimed design.

1 Claim, 8 Drawing Sheets



(56)

References Cited

U.S. PATENT DOCUMENTS

D682,414	S *	5/2013	Chen	D24/107
D737,447	S *	8/2015	Fluxman	D24/169
D739,031	S *	9/2015	Golden	D24/186
D759,253	S *	6/2016	Bar-Or	D24/186
D790,070	S *	6/2017	Acosta	D24/188
D816,854	S *	5/2018	Acosta	D24/189
D822,214	S *	7/2018	Iles	D24/186
D851,255	S *	6/2019	Fluxman	D24/169
2006/0009718	A1 *	1/2006	Van Brunt	A61H 9/0078
				601/41
2011/0257565	A1 *	10/2011	Wilford	A61H 9/0078
				601/18
2012/0209153	A1 *	8/2012	Farrow	A61H 9/0092
				601/18
2013/0331747	A1 *	12/2013	Helgeson	A61H 9/0078
				601/48
2014/0276290	A1 *	9/2014	Mansur, Jr.	A61H 9/0078
				601/152
2015/0141887	A1 *	5/2015	Kawashima	A61H 9/0078
				601/149
2015/0374571	A1 *	12/2015	Denson	A61H 1/008
				601/150
2019/0133872	A1 *	5/2019	Chase	A61F 13/08
2019/0133873	A1 *	5/2019	Chase	A61F 13/08

OTHER PUBLICATIONS

IDS NPL Document 1, Flexitouch Control Unit. Believed available at least as early as Aug. 2016; 1 page.

* cited by examiner

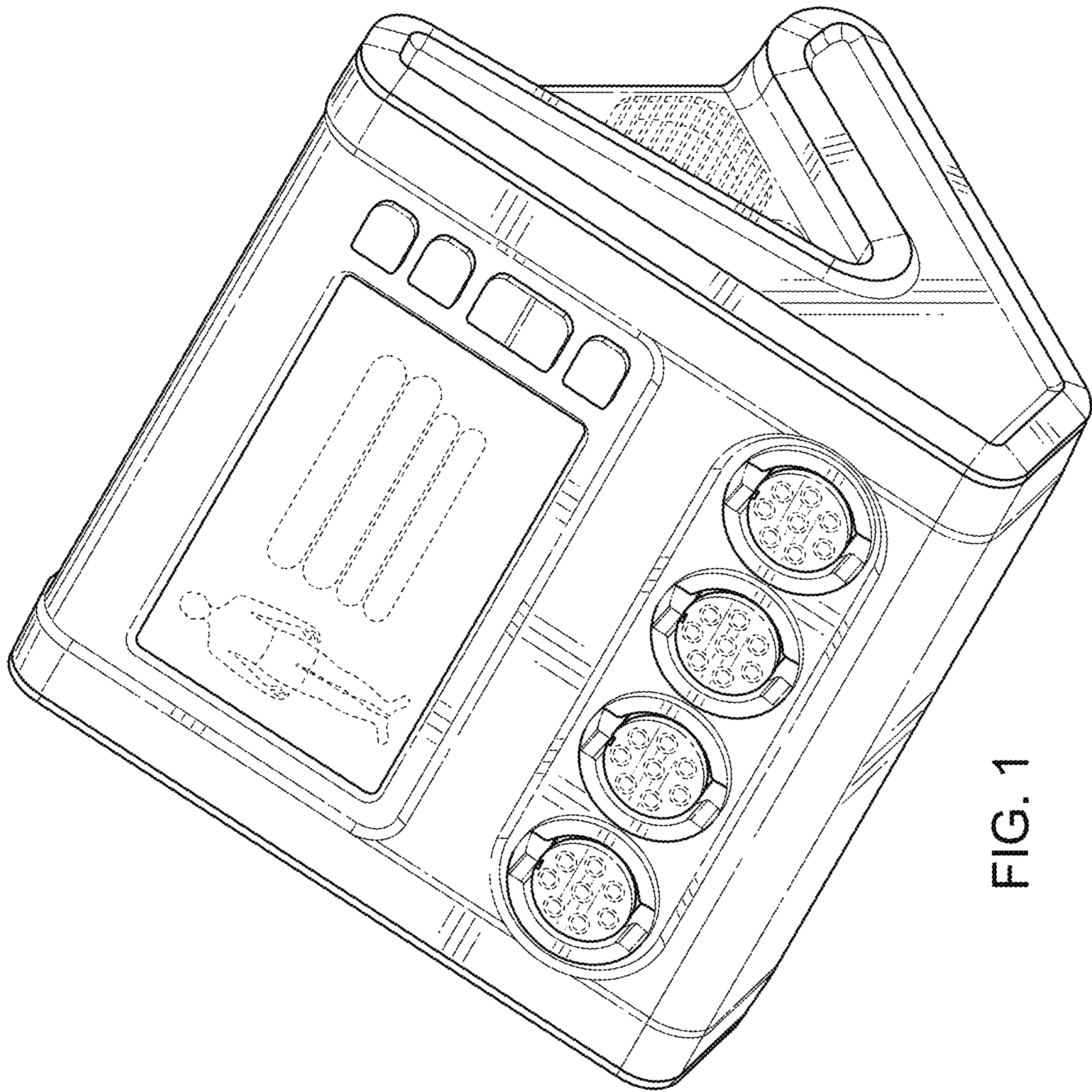


FIG. 1

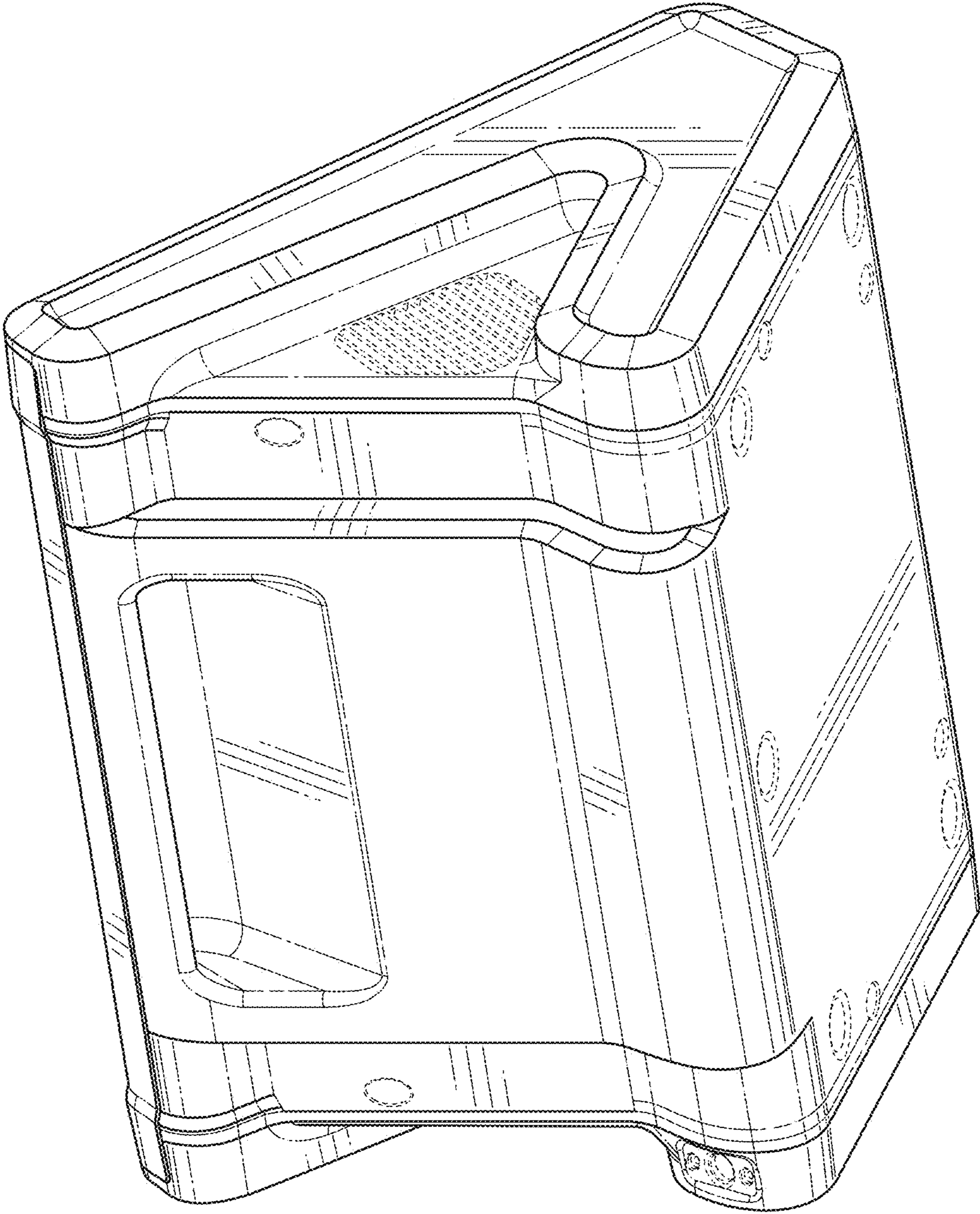


FIG. 2

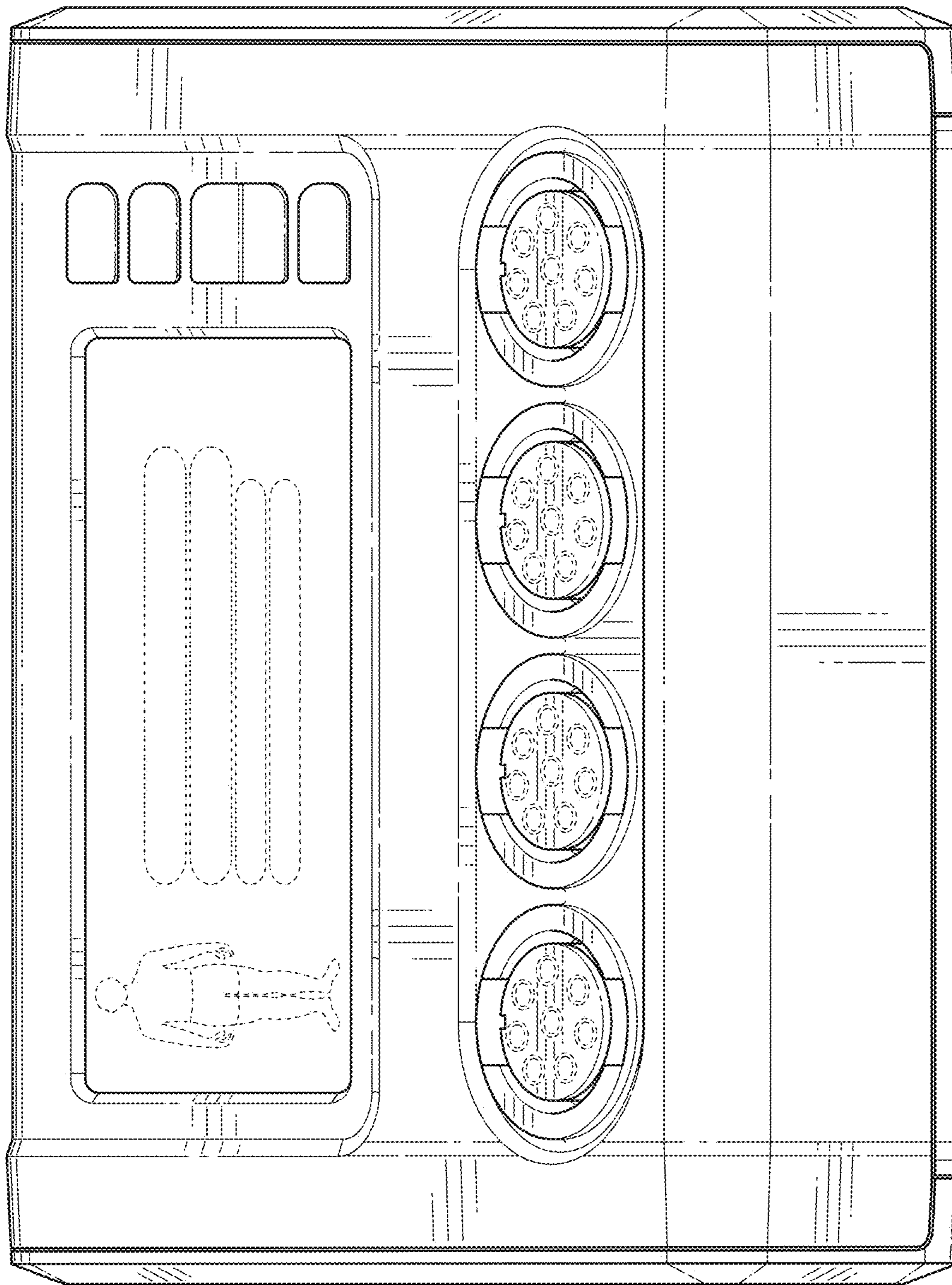


FIG. 3

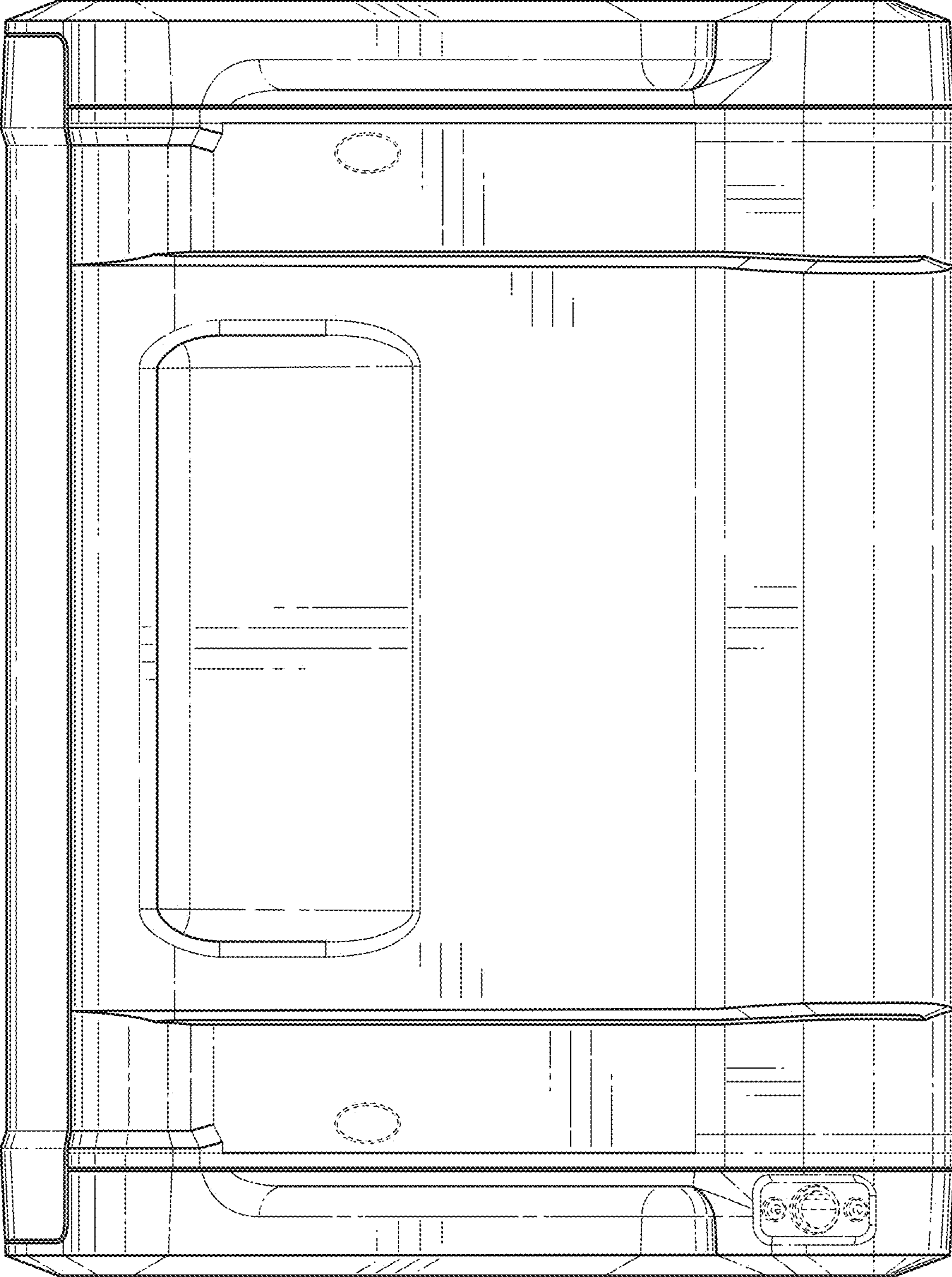


FIG. 4

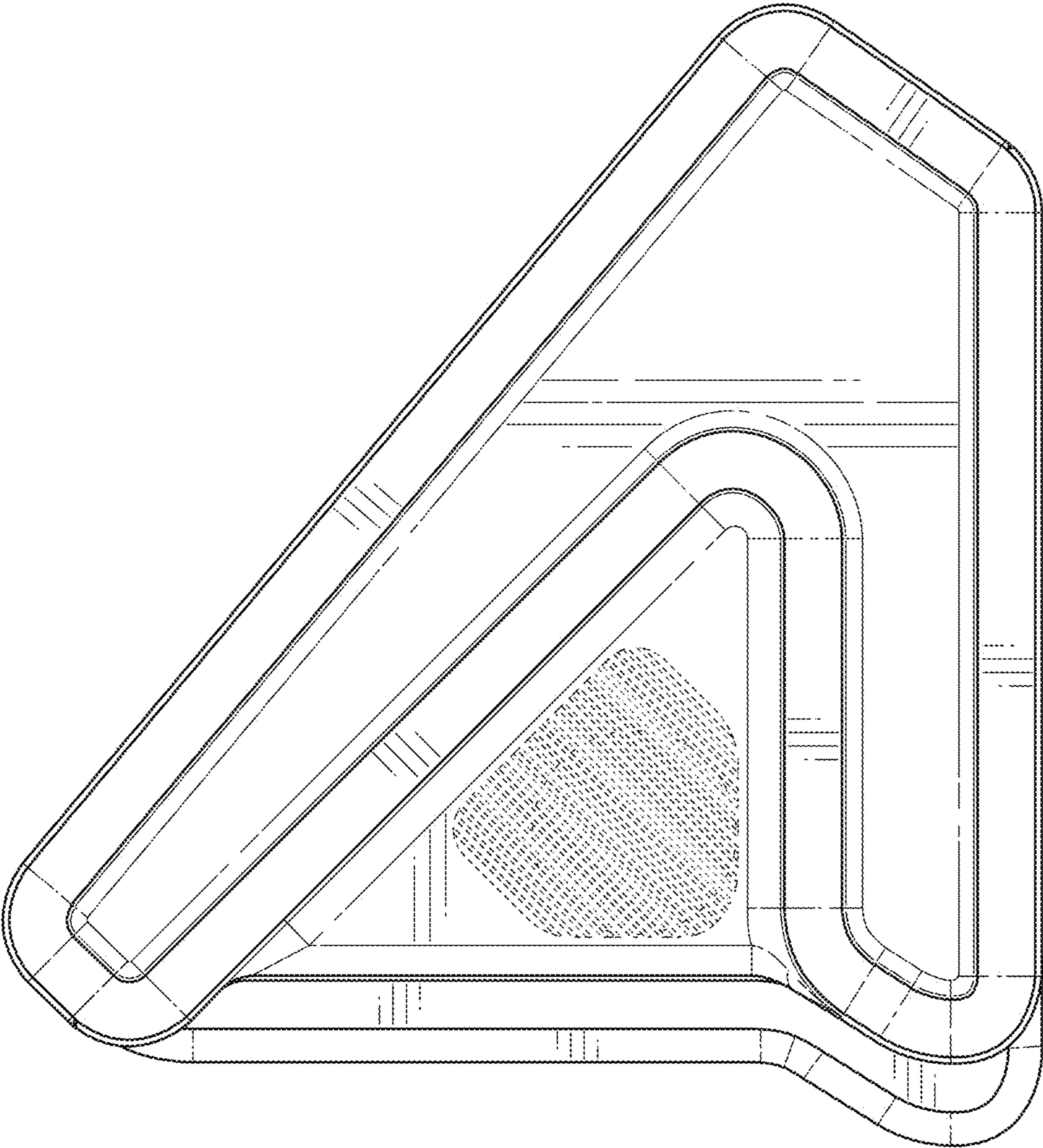


FIG. 5

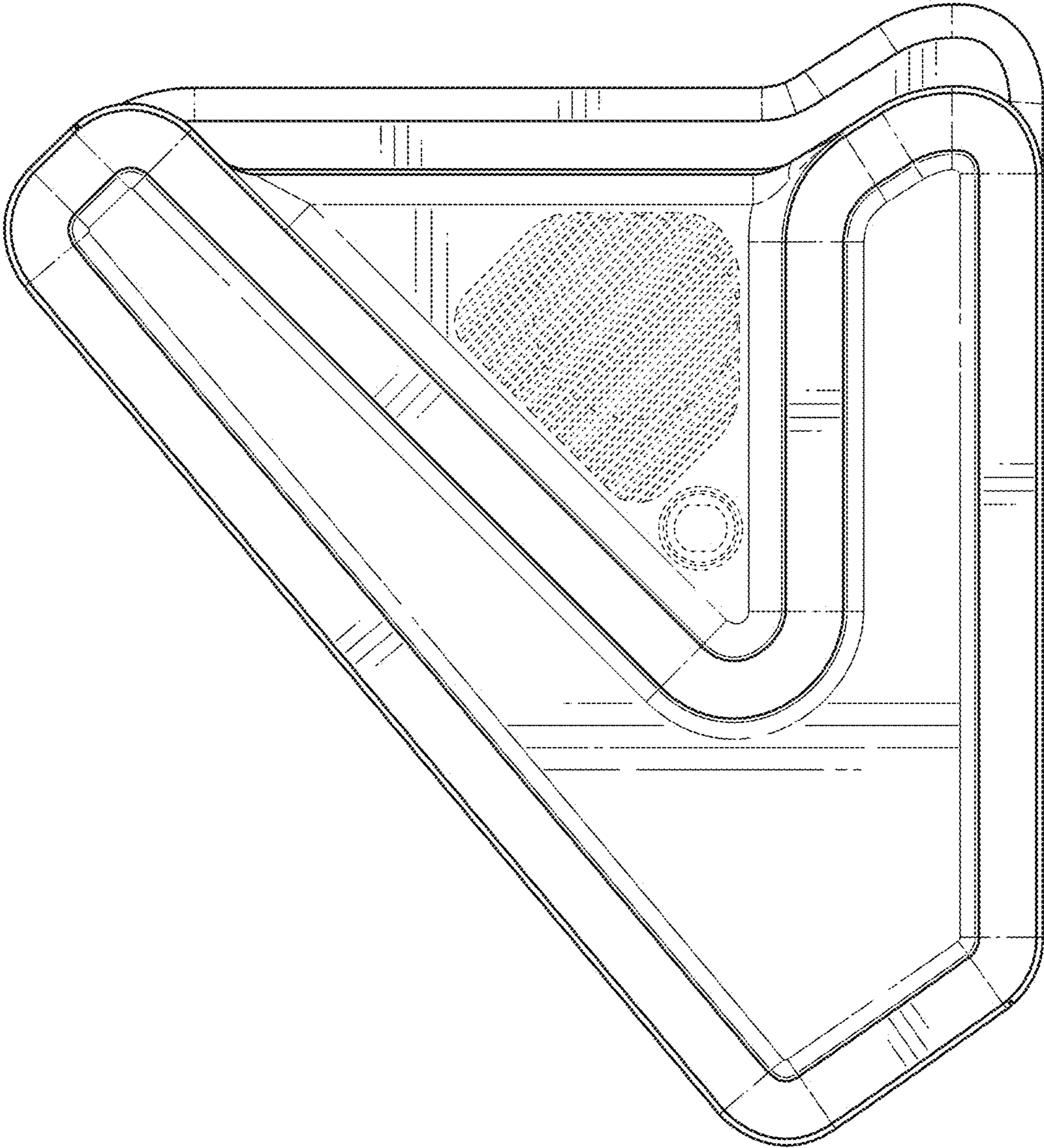


FIG. 6

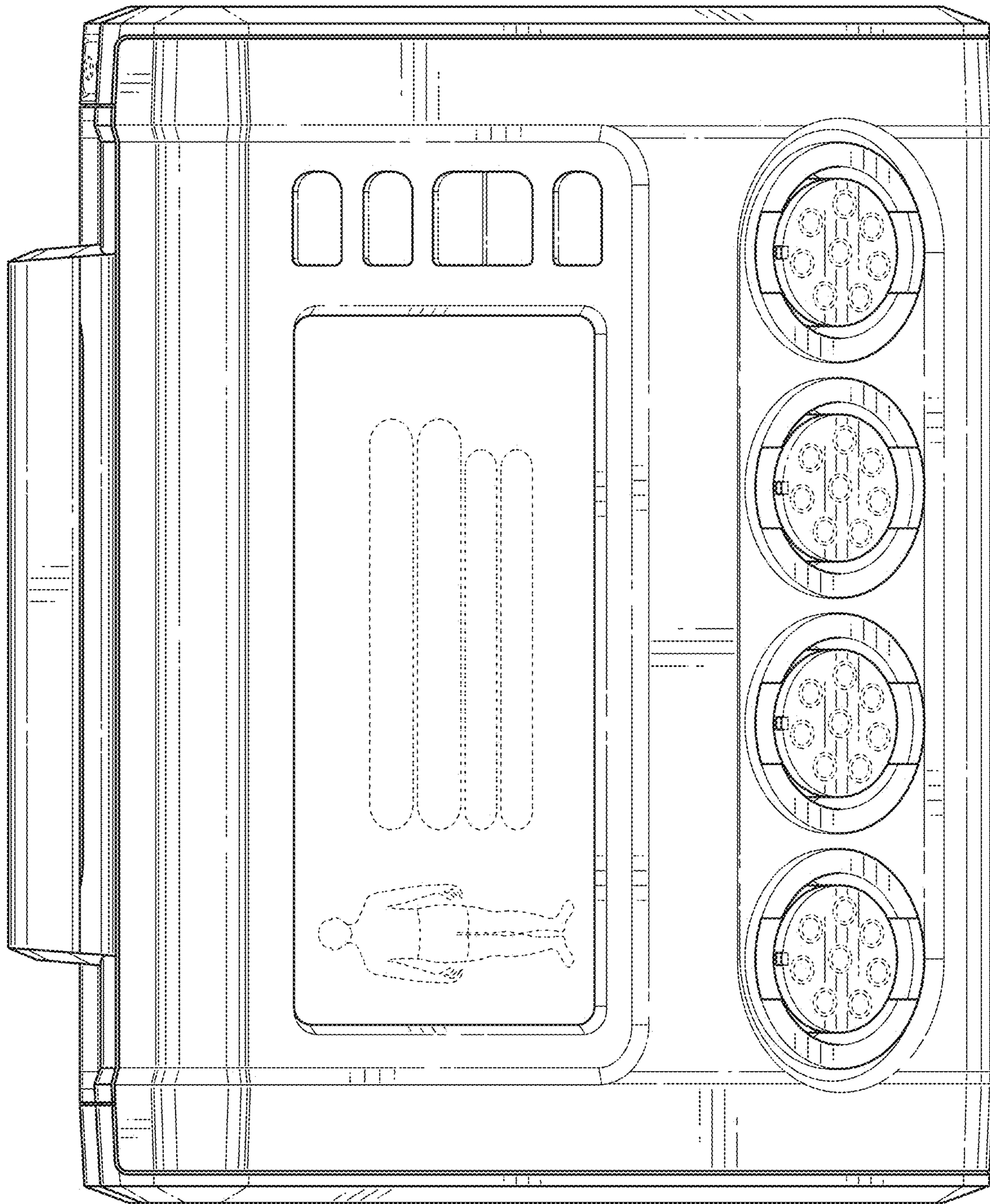


FIG. 7

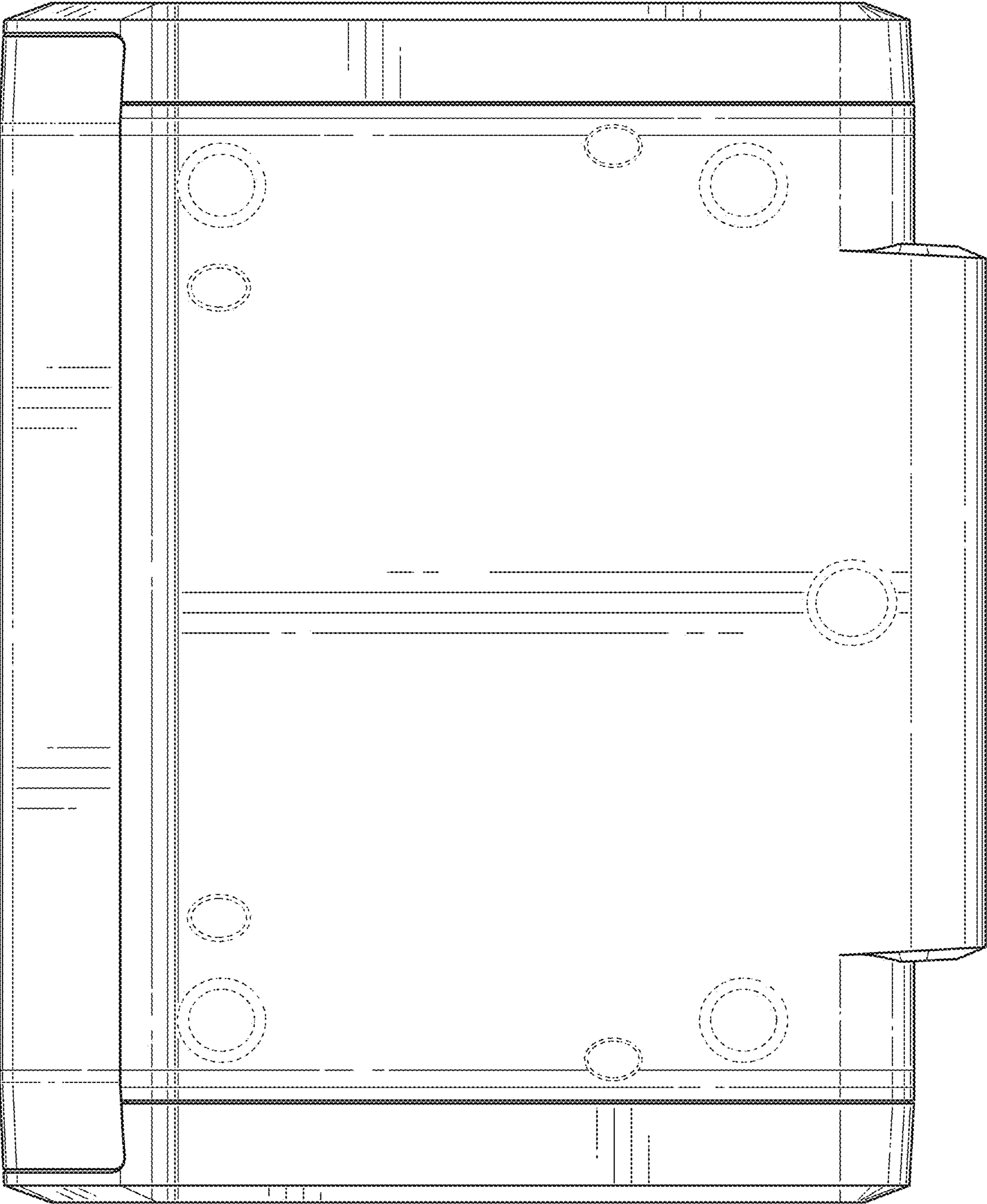


FIG. 8