

US00D868956S

(12) **United States Design Patent**  
**Guthrie**

(10) **Patent No.:** **US D868,956 S**

(45) **Date of Patent:** **\*\* Dec. 3, 2019**

(54) **CEILING FAN MOTOR HOUSING**

(71) Applicant: **HUNTER FAN COMPANY,**  
Memphis, TN (US)

(72) Inventor: **Benjamin Scotti Guthrie,**  
Germantown, TN (US)

(73) Assignee: **Hunter Fan Company,** Memphis, TN  
(US)

(\*\*) Term: **15 Years**

(21) Appl. No.: **29/624,621**

(22) Filed: **Nov. 2, 2017**

**Related U.S. Application Data**

(62) Division of application No. 29/557,579, filed on Mar. 10, 2016, now Pat. No. Des. 808,508.

(51) **LOC (12) Cl.** ..... **23-03**

(52) **U.S. Cl.**  
USPC ..... **D23/411**

(58) **Field of Classification Search**  
USPC ..... D23/370-387, 411; D26/59  
CPC ..... F04D 25/088; F21V 33/0096  
See application file for complete search history.

(56) **References Cited**

**U.S. PATENT DOCUMENTS**

D112,847 S	1/1939	Roffy	
D132,865 S	6/1942	Drollinger	
D133,120 S	7/1942	Spear	
5,097,398 A	3/1992	Dye	
D382,637 S *	8/1997	Lee	D23/377
D438,950 S	3/2001	Frampton	
D485,002 S	1/2004	Lin	
D506,821 S	6/2005	Chen	
D517,202 S	3/2006	Tat	
D520,633 S	5/2006	Tai	
D556,930 S	12/2007	Ertze	
D561,325 S	2/2008	Shirahama et al.	

D596,737 S	7/2009	Pan
D601,240 S	9/2009	Klausing et al.
D619,238 S	7/2010	Hidalgo
D635,237 S	3/2011	Fizer
D660,952 S	5/2012	Spaggiari
D671,633 S	11/2012	Glasbrenner
D704,819 S	5/2014	Wang

(Continued)

**OTHER PUBLICATIONS**

Modern Fan SOL-BA-470 Solus Brushed Aluminum 52" Ceiling Fan w/ MOD-470-BA Light & 587 Blades, date first available Nov. 27, 2015, site visited Jul. 14, 2017, <[https://www.amazon.com/Modern-Fan-SOL-BA-470-Aluminum-MOD-470-BA/dp/B00N373ZWW/ref=sr\\_1\\_1?ie=UTF8&qid=1500046055&sr=8-1&keywords=modern+fan+solus](https://www.amazon.com/Modern-Fan-SOL-BA-470-Aluminum-MOD-470-BA/dp/B00N373ZWW/ref=sr_1_1?ie=UTF8&qid=1500046055&sr=8-1&keywords=modern+fan+solus)>.\*

(Continued)

*Primary Examiner* — Cathron C Brooks

*Assistant Examiner* — Sharon S Oum

(74) *Attorney, Agent, or Firm* — McGarry Bair PC

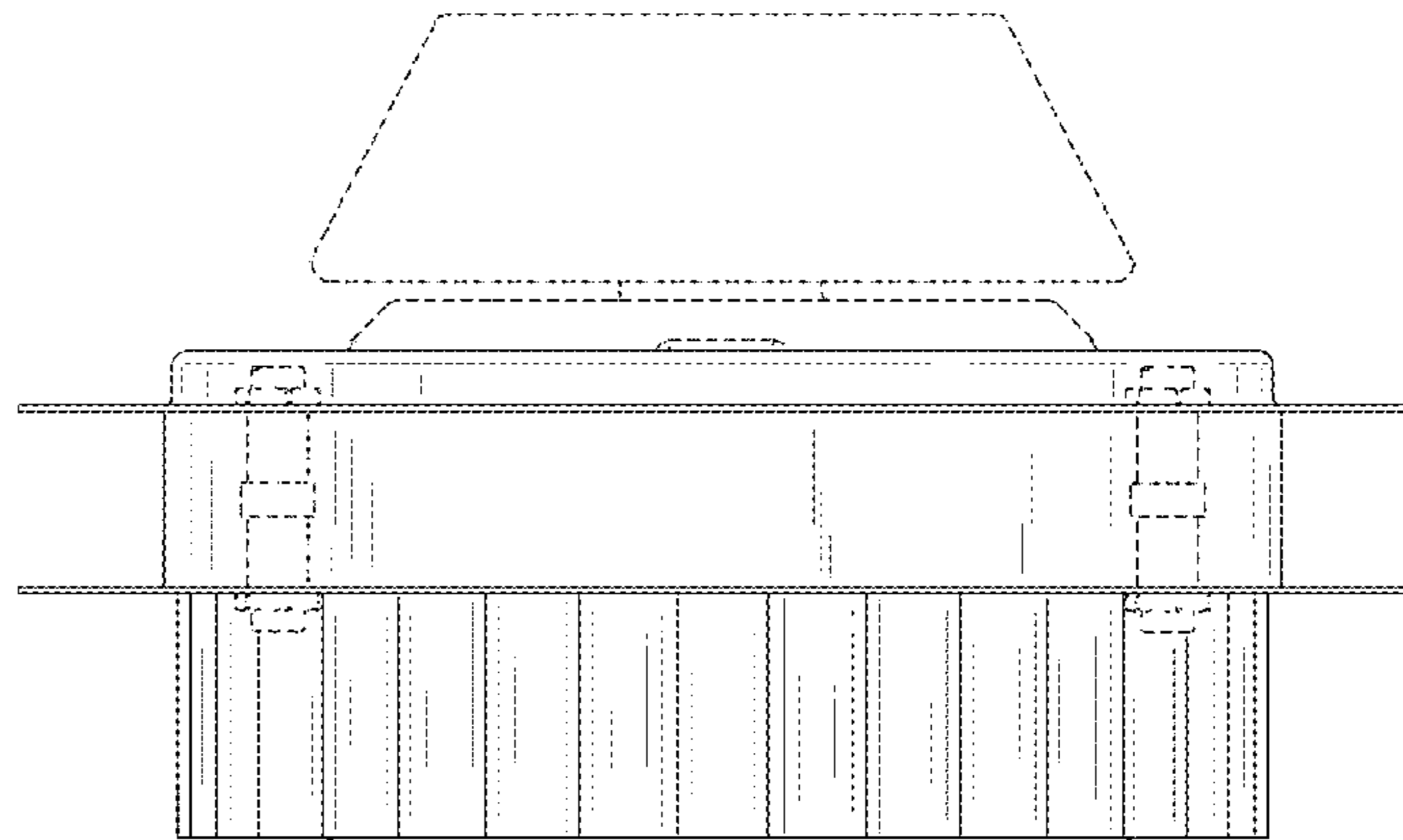
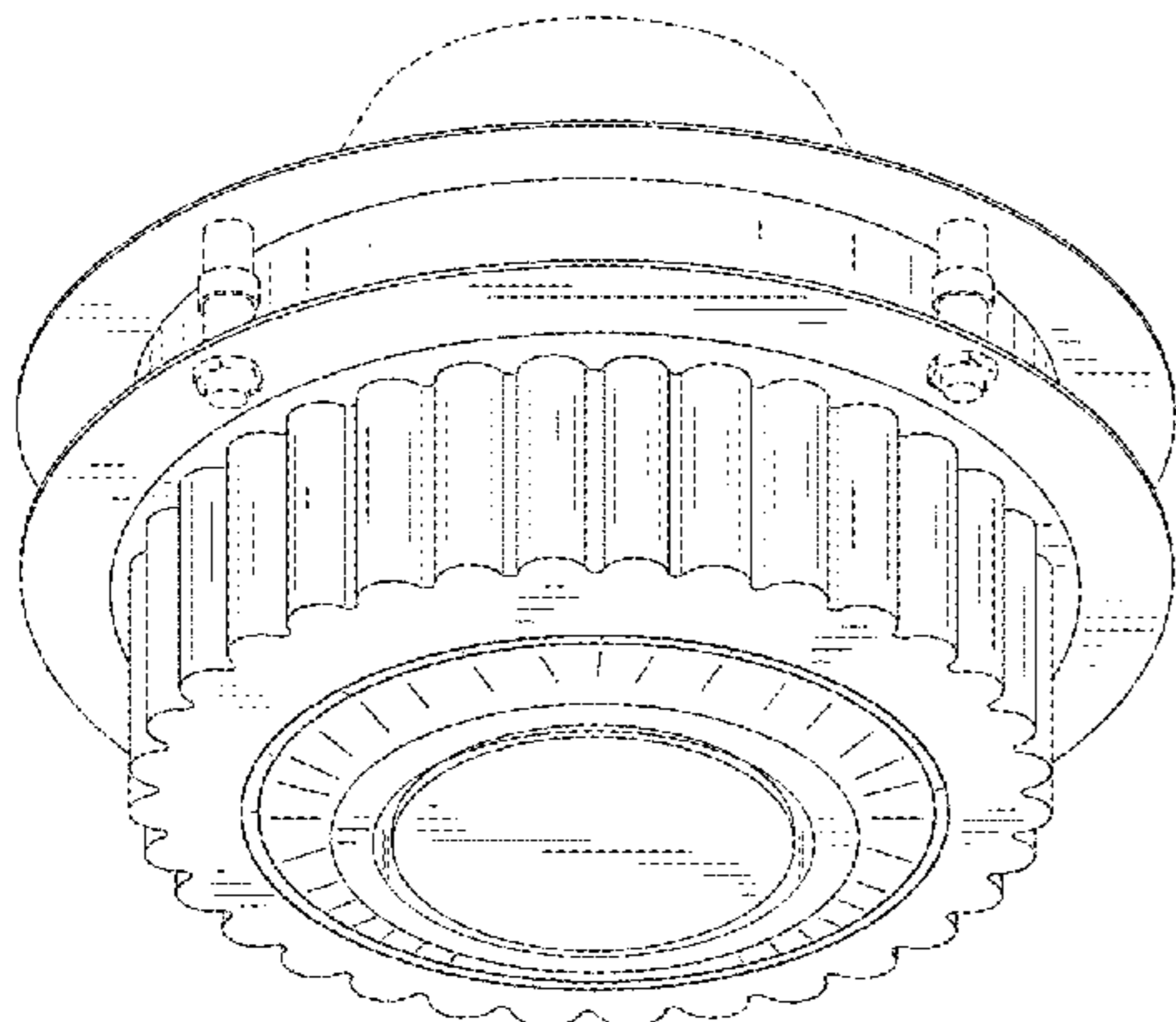
(57) **CLAIM**

The ornamental design for a ceiling fan motor housing, as shown and described.

**DESCRIPTION**

FIG. 1 is a top perspective view of a motor housing in the environment of a ceiling fan showing my new design; FIG. 2 is a top perspective view of the motor housing of FIG. 1; FIG. 3 is a bottom perspective view of the motor housing of FIG. 1; FIG. 4 is a top view of the motor housing of FIG. 1; FIG. 5 is a bottom view of the motor housing of FIG. 1; and, FIG. 6 is a side view of the motor housing of FIG. 1. The broken lines illustrate environmental structure, and portions of the ceiling fan motor housing. None of the broken lines form part of the claimed design.

**1 Claim, 4 Drawing Sheets**



(56)

References Cited

U.S. PATENT DOCUMENTS

D706,919 S	6/2014	Wang	
D717,935 S	11/2014	Strecker et al.	
D728,775 S	5/2015	Gajewski	
D741,988 S	10/2015	Pan	
D743,522 S	11/2015	Pan	
D771,235 S	11/2016	Hoff et al.	
D808,508 S *	1/2018	Guthrie .....	D23/377
2016/0111816 A1	4/2016	Walker et al.	

OTHER PUBLICATIONS

<http://www.modernfan.com/products/solus.html>, Item Specification for the Modern Fan Co Solus, accessed Mar. 8, 2016.

<http://www.minkagroup.net/products/f726-orbbn>, Item Specification for The MinkaAire Spectre Model No. F726-ORB/BN, accessed Mar. 8, 2016.

<http://www.minkagroup.net/products/f528-l-bsch>, Item Specification for the MinkaAire San Francisco Model No. F528-L-BS/CH, accessed Mar. 8, 2016.

<http://www.lightingdirect.com/fanimation-mad3255-bpw6030mh-louvre-68-5-blade-dc-ceiling-fan-mahogany-blades-and-remote-control-included/p2547333>, Item Specification for the Fanimation Louvre Model No. MAD3255PW-BPW6030MH Pewter Louvre 68" 5 Blade DC Ceiling Fan—Mahogany Blades and Remote Control Included Item #: BCI2547333, accessed Mar. 8, 2016.

<http://www.homedepot.com/p/Hampton-Bay-Mondrian-52-in-Brushed-Nickel-Ceiling-Fan-AL749-BN/203245484>, Item Specification for the Hampton Bay Mondrian Model # AL749-BN Internet # 203245484 Mondrian 52 in. Brushed Nickel ceiling Fan, accessed Mar. 8, 2016.

<http://www.minkagroup.net/products/f524-dk>, Item Specification for the MinkaAire Roto Model No. F524-ABD, accessed Mar. 8, 2016.

<http://www.minkagroup.net/products/f523-abd>, Item Specification for the MinkaAire Aluma Model No. F523-ABD, accessed Mar. 8, 2016.

<http://www.homedepot.com/p/Hampton-Bay-Everbilt-54-in-Brushed-Nickel-Ceiling-Fan-14927/202790690>, Item Specification for the Hampton Bay Everbilt Model # 14927 Internet # 202790690 Everbilt 54 in. Brushed Nickel ceiling Fan, accessed Mar. 8, 2016.

<http://www.homedepot.com/p/Hampton-Bay-Thorton-52-in-Gunmetal-Ceiling-Fan-YG182-GM/100590859>, Item Specification for the Hampton Bay Thorton Model # YG182-GM Internet # 100590859 Store SKU # 871234 Thorton 52 in. Gunmetal Ceiling Fan, accessed Mar. 8, 2016.

<http://www.hunterpacific.com.au/typhoonM2-timber.php>, Item Specification for the Hunter Pacific Typhoon Timber Mach 2, accessed Mar. 8, 2016.

<http://www.craftmade.com/Craftmade-Velocity-v16.htm>, Item Specification for the Craftmade Velocity Model No. VE58FB3, accessed Mar. 8, 2016.

<http://www.snapdeal.com/product/crompton-greaves-high-speed-1200/646713016>, Item Specification for the Crompton Greaves High Speed Metallic High Speed 1200 mm Ceiling Fan, Item Specification for the accessed Mar. 8, 2016.

<http://www.kichler.com/products/product/52-inch-harbour-walk-patio-fan-tzp-310102tzip.aspx>, Item Specification for the Kichler Harbour Walk Patio Collection 52 Inch Harbour Walk Patio Fan TZIP 310102TZIP (Tannery Bronze Powder Coat), accessed Mar. 8, 2016.

<http://www.homedepot.com/p/Hampton-Bay-North-Shoreline-46-in-Natural-Iron-Indoor-Outdoor-Ceiling-Fan-with-Light-Kit-51546/205643117>, Item Specification for the Hampton Bay North Shoreline Model # 51546 Internet # 205643117 North Shoreline 46 in. Natural Iron Indoor/Outdoor Ceiling Fan with Light Kit, accessed Mar. 8, 2016.

<http://www.quoruminternational.com/index.cfm/app/productDetail?product=98604-65>, Item Specification for the Quorum International Model No. 98604-65, accessed Mar. 8, 2016.

<http://ceilingfans.emerson.com/shop/en/fan/fans-s-emerson-fans/emerson-fans-browse-all/highpointe-fan-p-cf205>, Item Specification for the Emerson Highpointe Model No. CF205GES, accessed Mar. 8, 2016.

[http://www.alibaba.com/product-detail/carbon-steel-hex-flat-head-metal\\_60098989301.html?spm=a2700.7724857.29.100.7J4G5](http://www.alibaba.com/product-detail/carbon-steel-hex-flat-head-metal_60098989301.html?spm=a2700.7724857.29.100.7J4G5), Item Specification for the Carbon steel hex flat head metal push rivet, accessed Mar. 8, 2016.

<http://www.casablancafanco.com/Ceiling-Fans/Aris?ModelNumber=59123>, Item Specification for the Casablanca Fan Company Aris Model 59123 Brushed Nickel 4 Mayse Plastic Exclusive blades included, accessed Mar. 8, 2016.

<http://www.hunterfan.com/Ceiling-Fans/Forest-Hill?ModelNumber=52053>, Item Specification for the Hunter Fan Forest-Hill 48" Ceiling Fan, 52053 Midas Black Finish 5 Aged Barnwood blades included, accessed Mar. 8, 2016.

<http://www.minkagroup.net/products/f828-bndw>, Item Specification for the MinkaAire Symbio Model No. F828-BN/DW, accessed Mar. 8, 2016.

Savoy House, date first available Jan. 23, 2016, amazon.com, site visited Jul. 14, 2017, Copyright© 1996-2017, Available from Internet, v [https://www.amazon.com/Savoy-House-56-Ceiling-180-5CN-109/dp/B01AYQ09YC/ref=sr\\_1\\_1?ie=UTF8&qid=1500053000&sr=8-1&keywords=savoy+house+phoebe](https://www.amazon.com/Savoy-House-56-Ceiling-180-5CN-109/dp/B01AYQ09YC/ref=sr_1_1?ie=UTF8&qid=1500053000&sr=8-1&keywords=savoy+house+phoebe).

\* cited by examiner



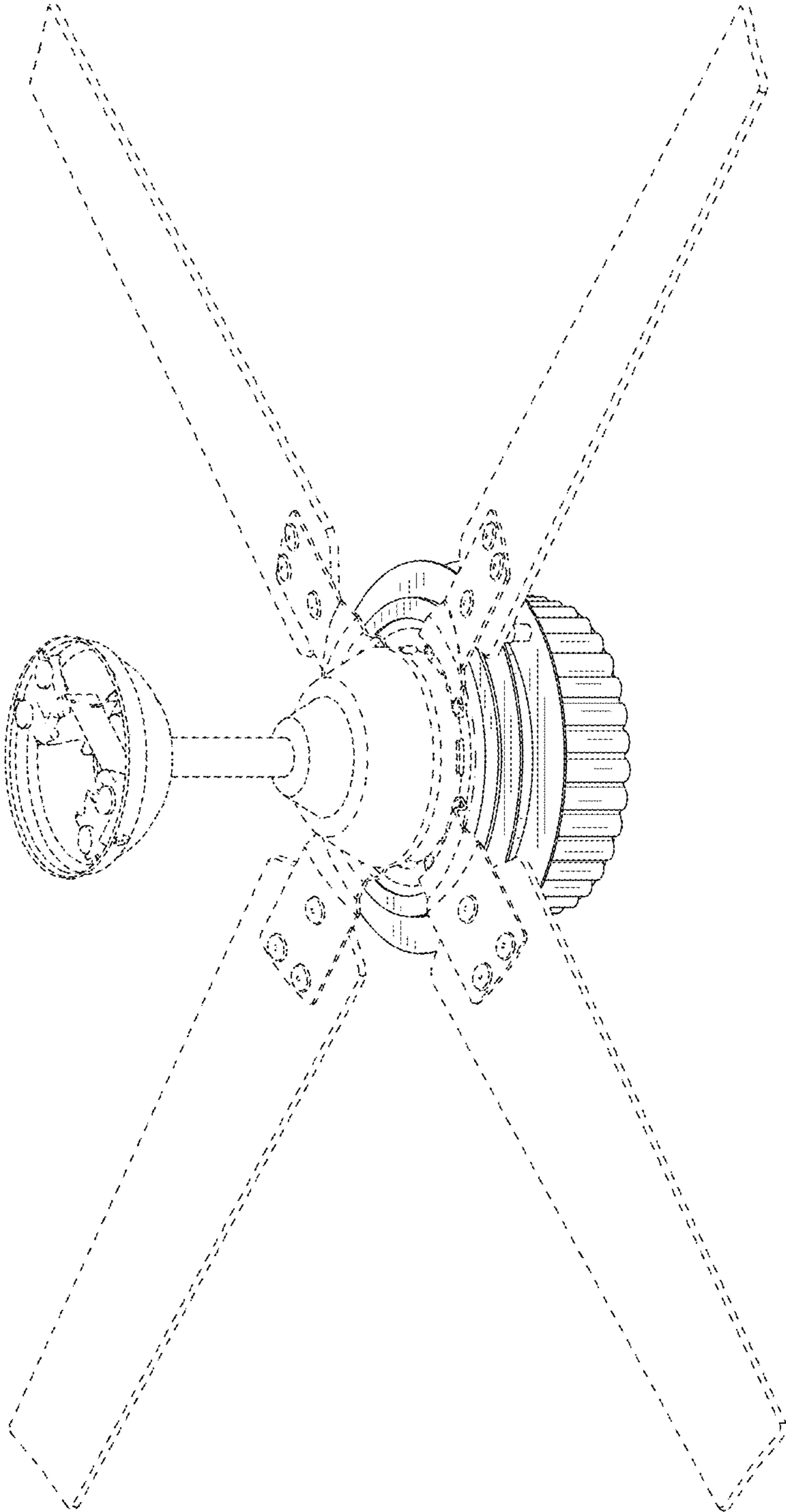


FIG. 1

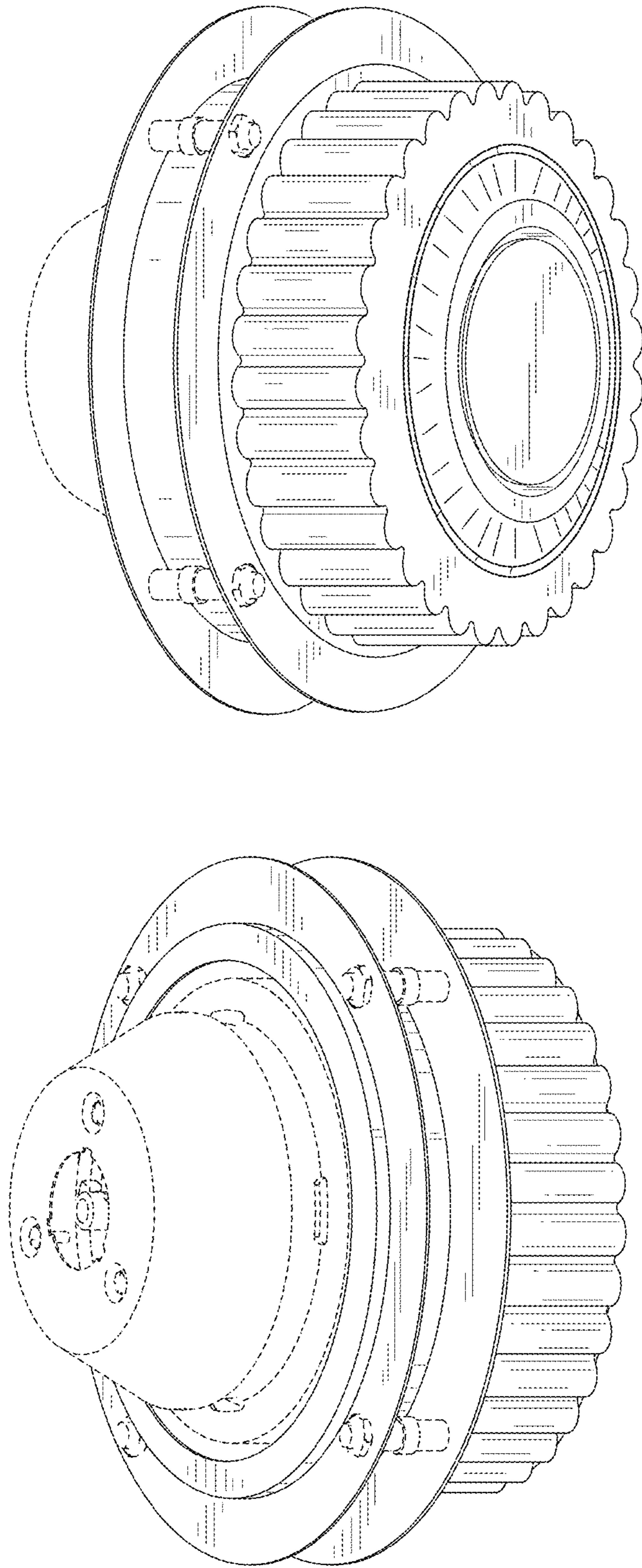


FIG. 3

FIG. 2

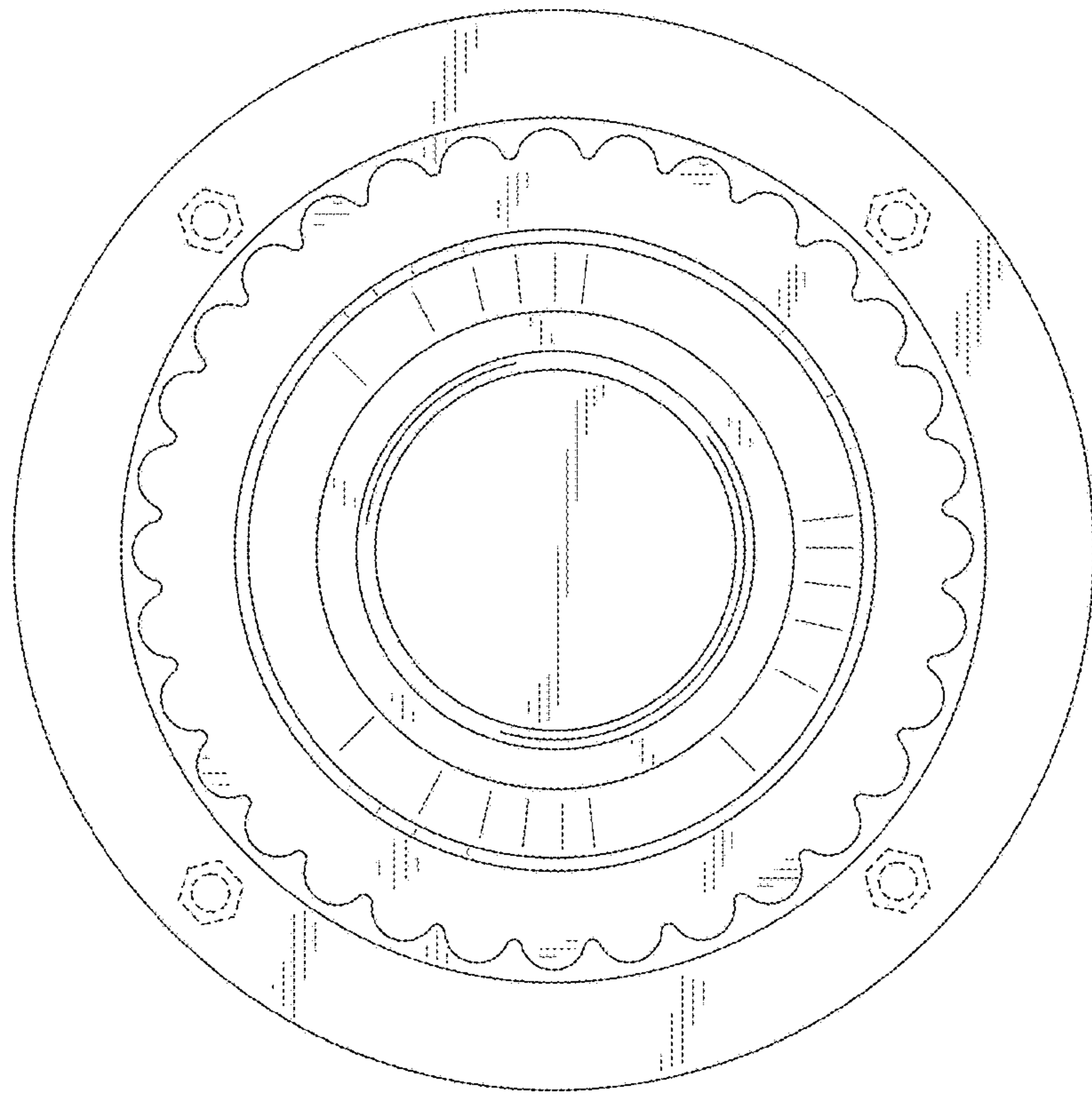


FIG. 5

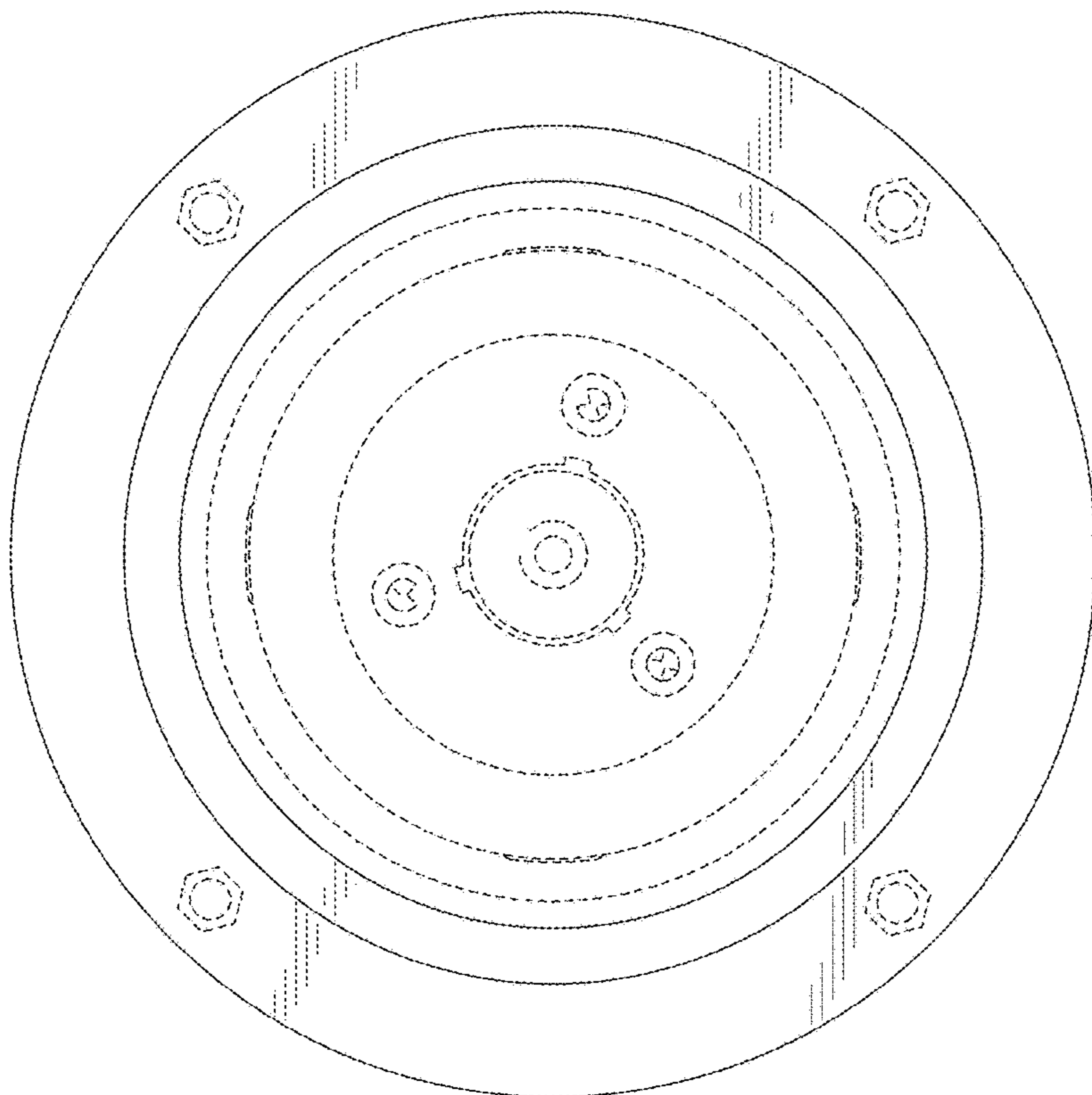


FIG. 4

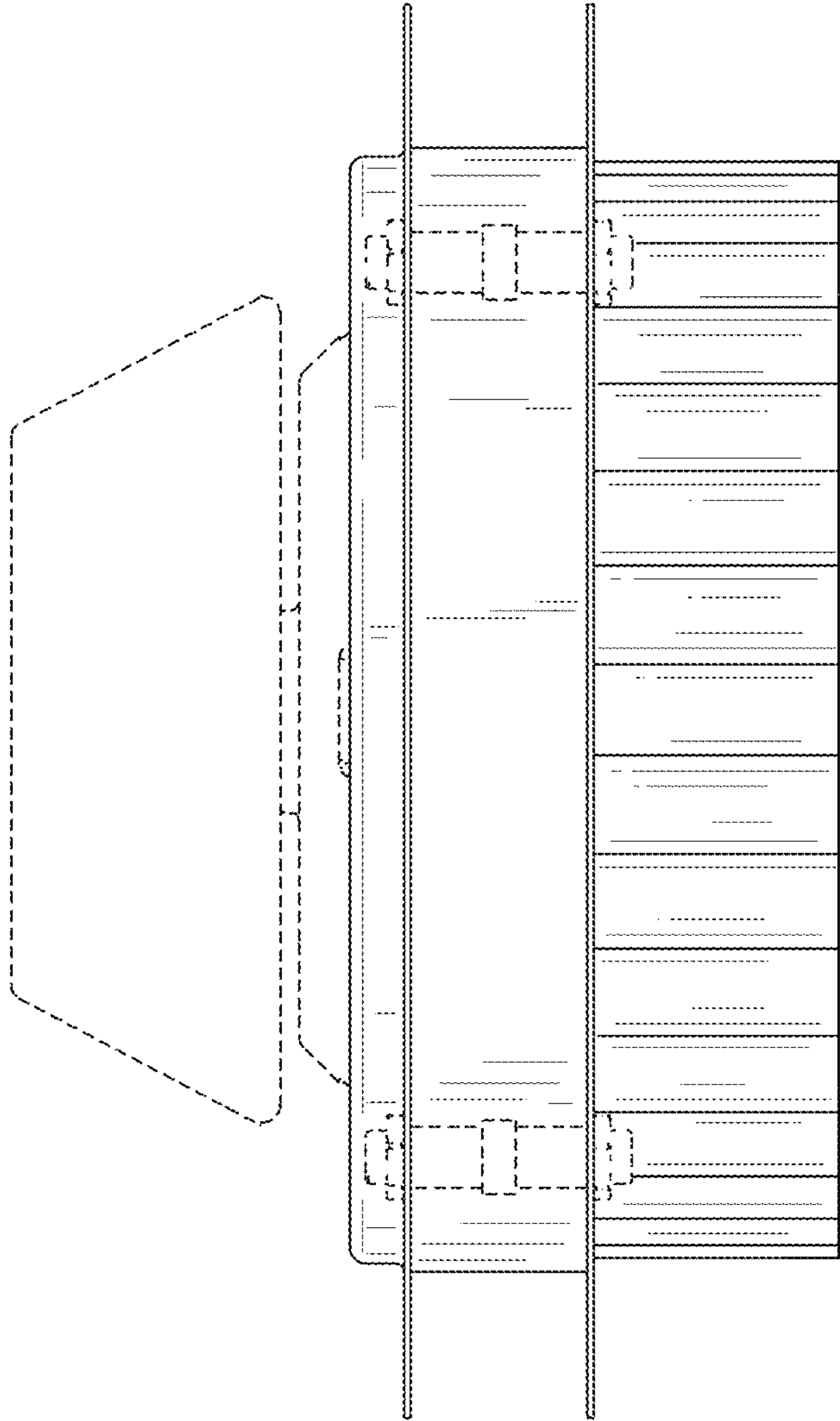


FIG. 6